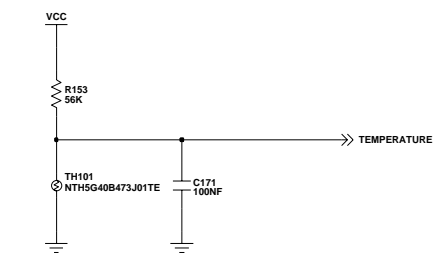
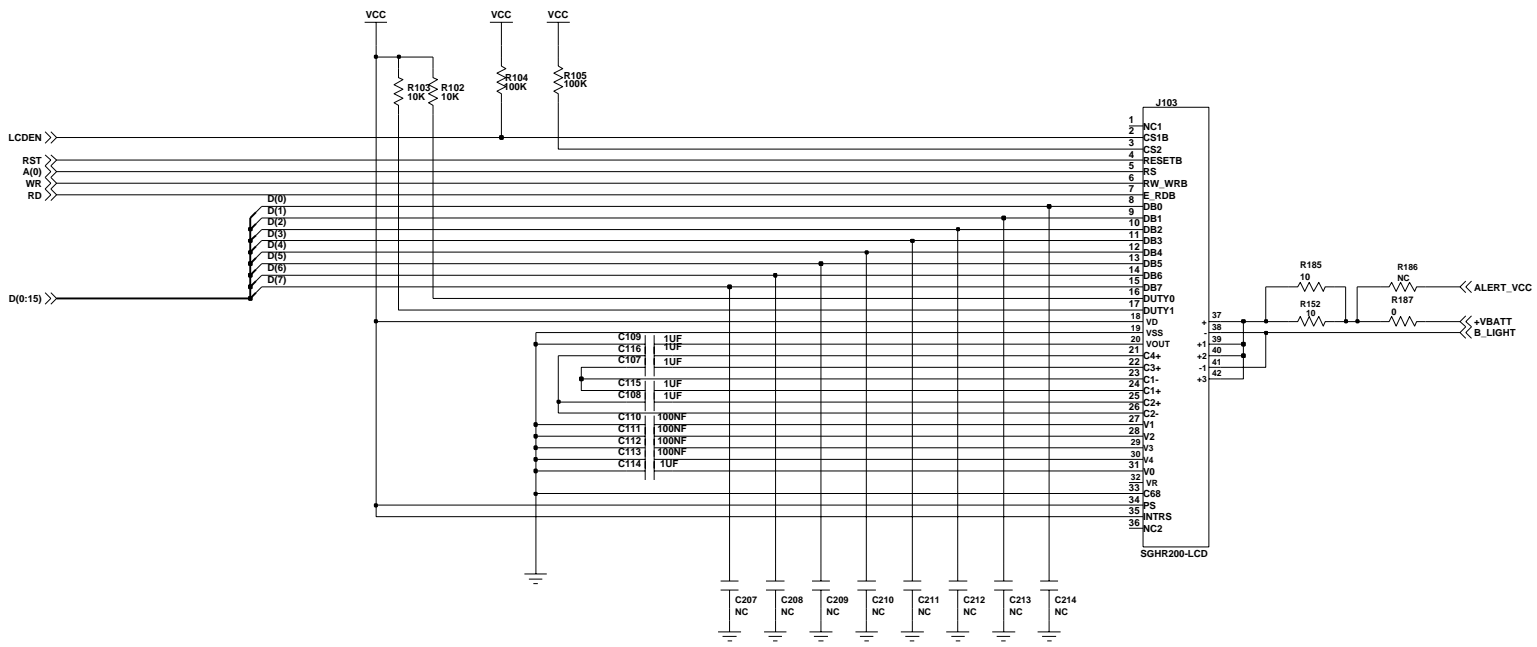
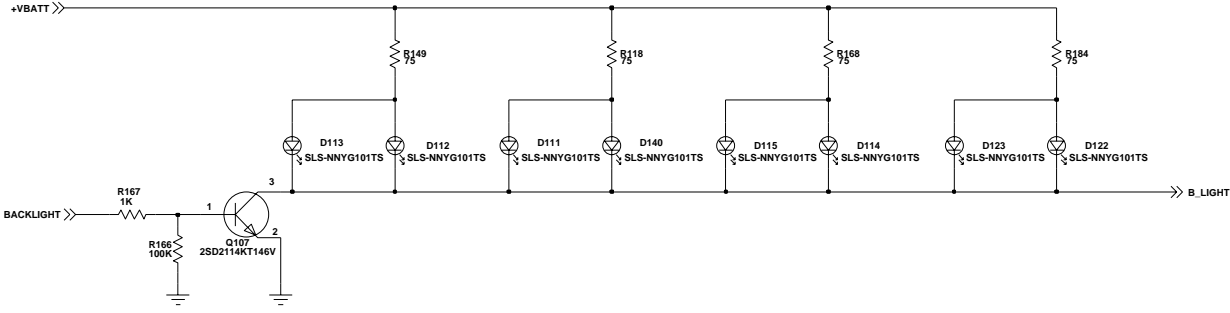
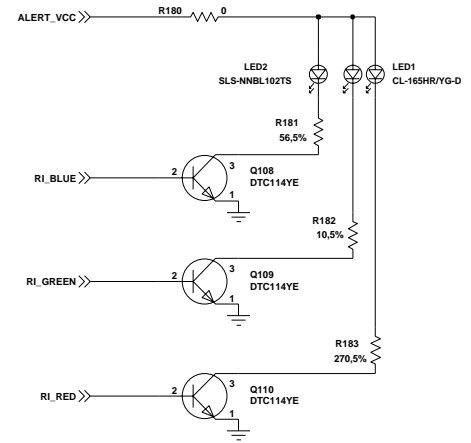
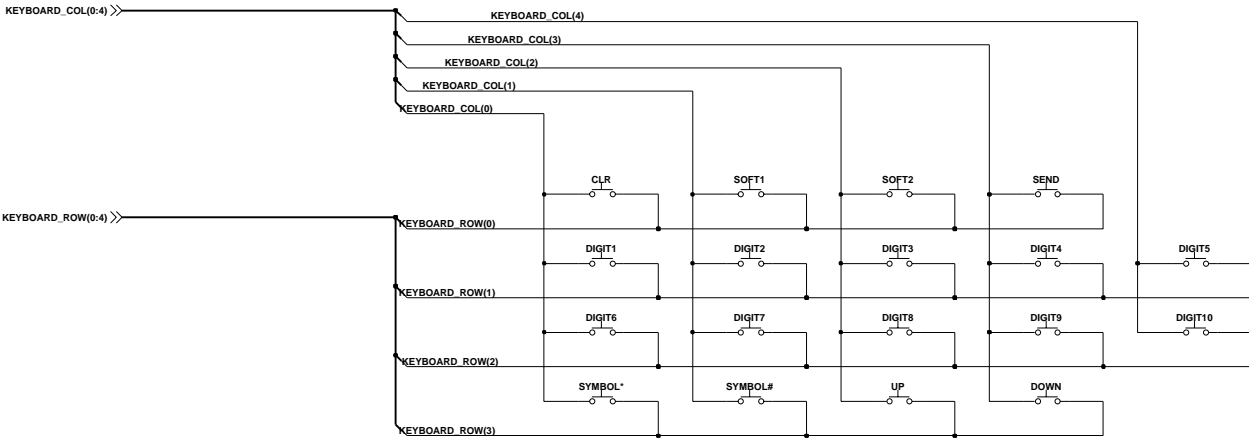
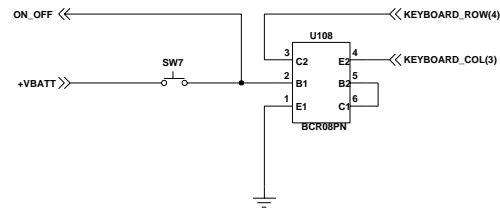
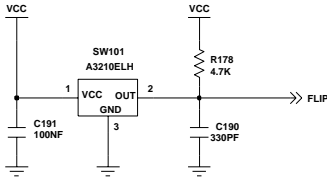


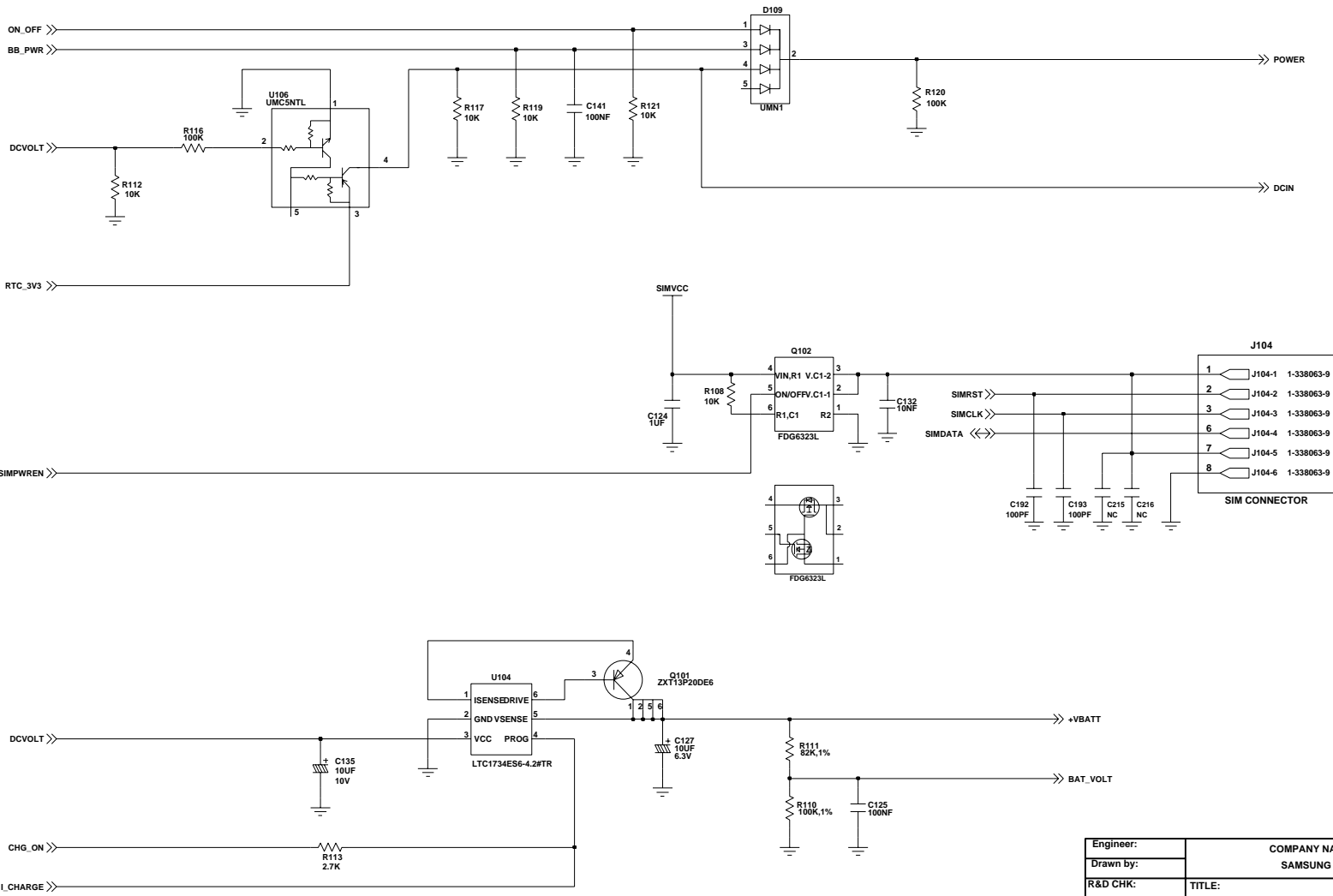
Engineer: PBH	COMPANY NAME	
Drawn by:	SAMSUNG	
R&D CHK:	TITLE:	Size: A3
DOC CTRL CHK:	SGH-R200	
MFG ENGR CHK:	POWER MANAGEMENT & SIM INTERFACE	
QA CHK:	REV:	
Changed by: S C Jung	Date Changed: May 21,2001	Page: 1/11
Time Changed:	Drawing Number: V6.1	



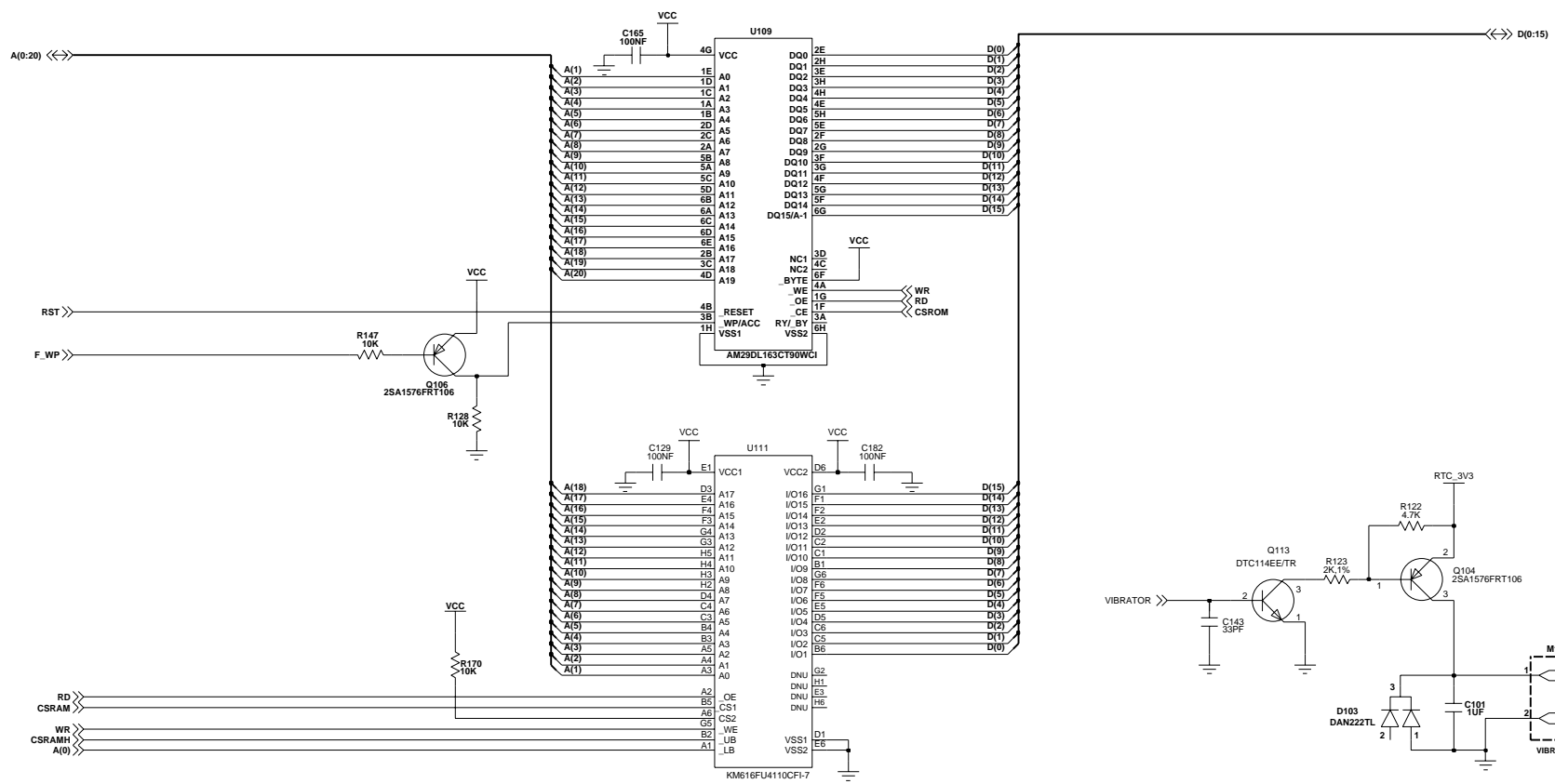
Engineer:	COMPANY NAME	
Drawn by:	SAMSUNG	
R&D CHK:	TITLE:	Size: A3
DOC CTRL CHK:	SGH-R200	
MFG ENGR CHK:	LCD SCHEMATIC	
QA CHK:	REV:	Page: 2/11
Changed by: S C Jung	Date Changed: May 21,2001	Drawing Number: V6.1



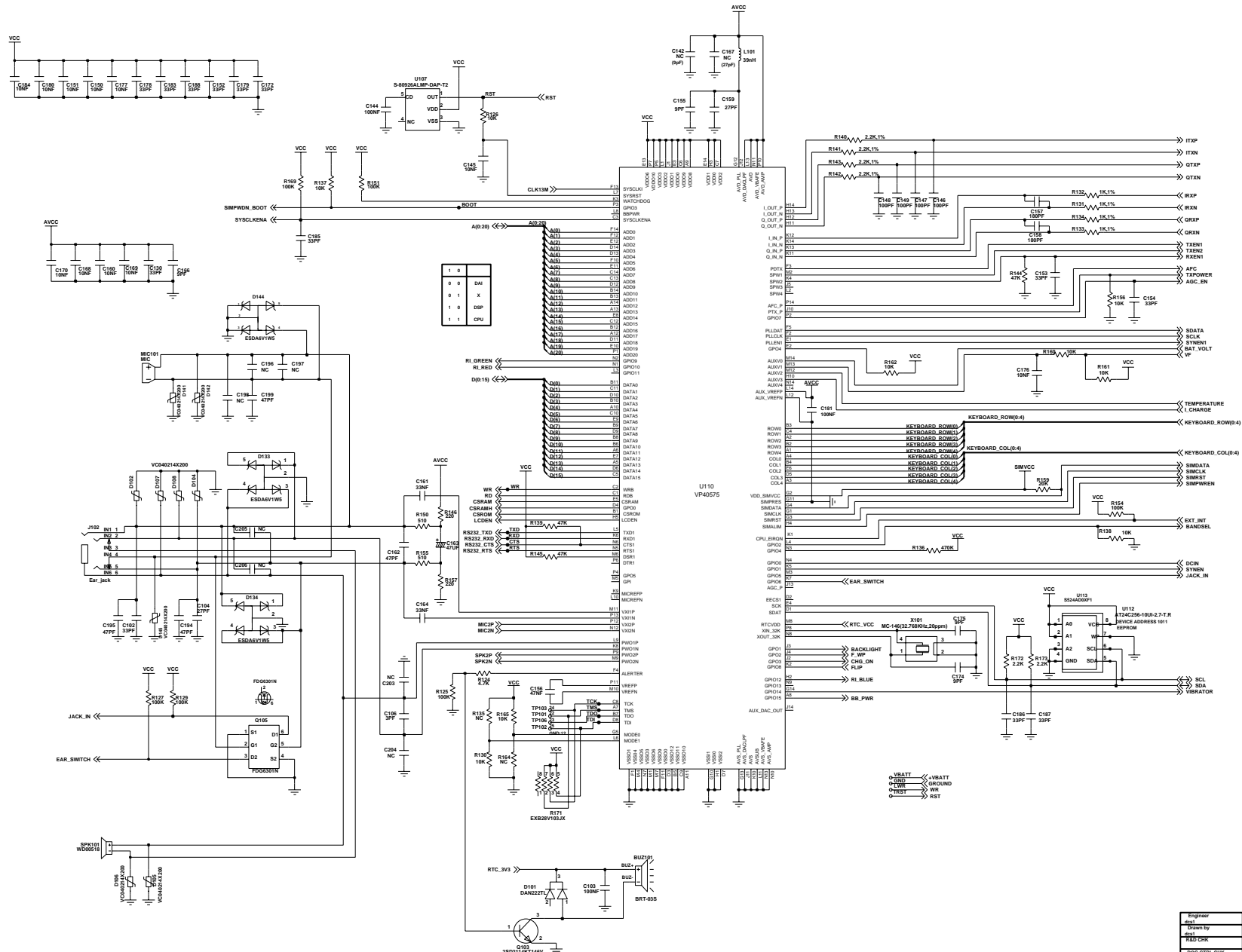
Engineer:	COMPANY NAME	
Drawn by:	SAMSUNG	
R&D CHK:	TITLE:	Size: A3
DOC CTRL CHK:	SGH-R200	
MFG ENGR CHK:	KEY SCHEMATIC	
QA CHK:	REV:	Page: 3/11
Changed by: S C Jung	Date Changed: May 21,2001	Time Changed:
	Drawing Number: V6.1	



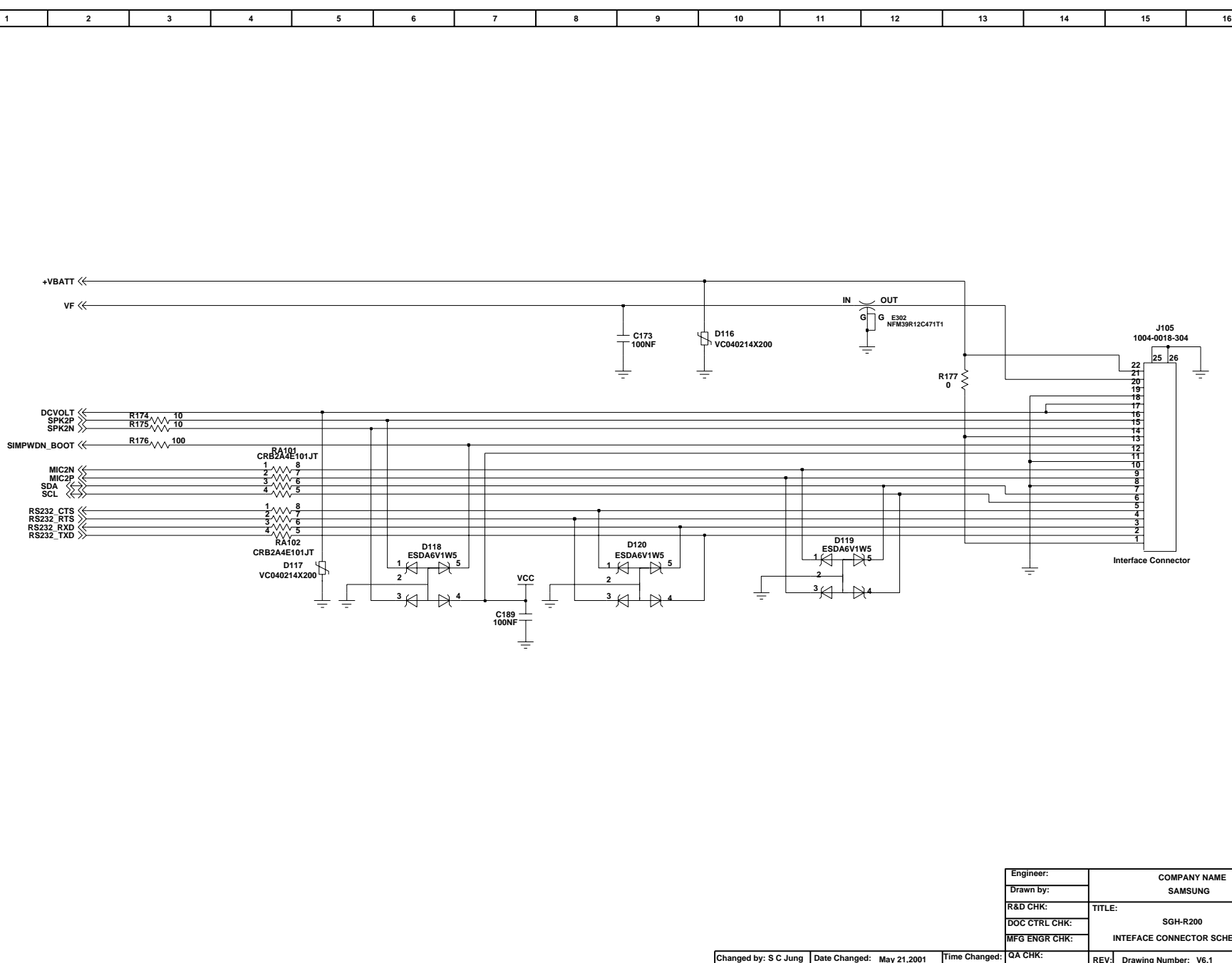
Engineer:	COMPANY NAME		
Drawn by:	SAMSUNG		
R&D CHK:	TITLE:	Size: A3	
DOC CTRL CHK:	SGH-R200		
MFG ENGR CHK:	SIM & CHARGER SCHEMATIC		
Changed by: S C Jung	Date Changed: May 21,2001	Time Changed:	REV: Drawing Number: V6.1 Page: 4/11



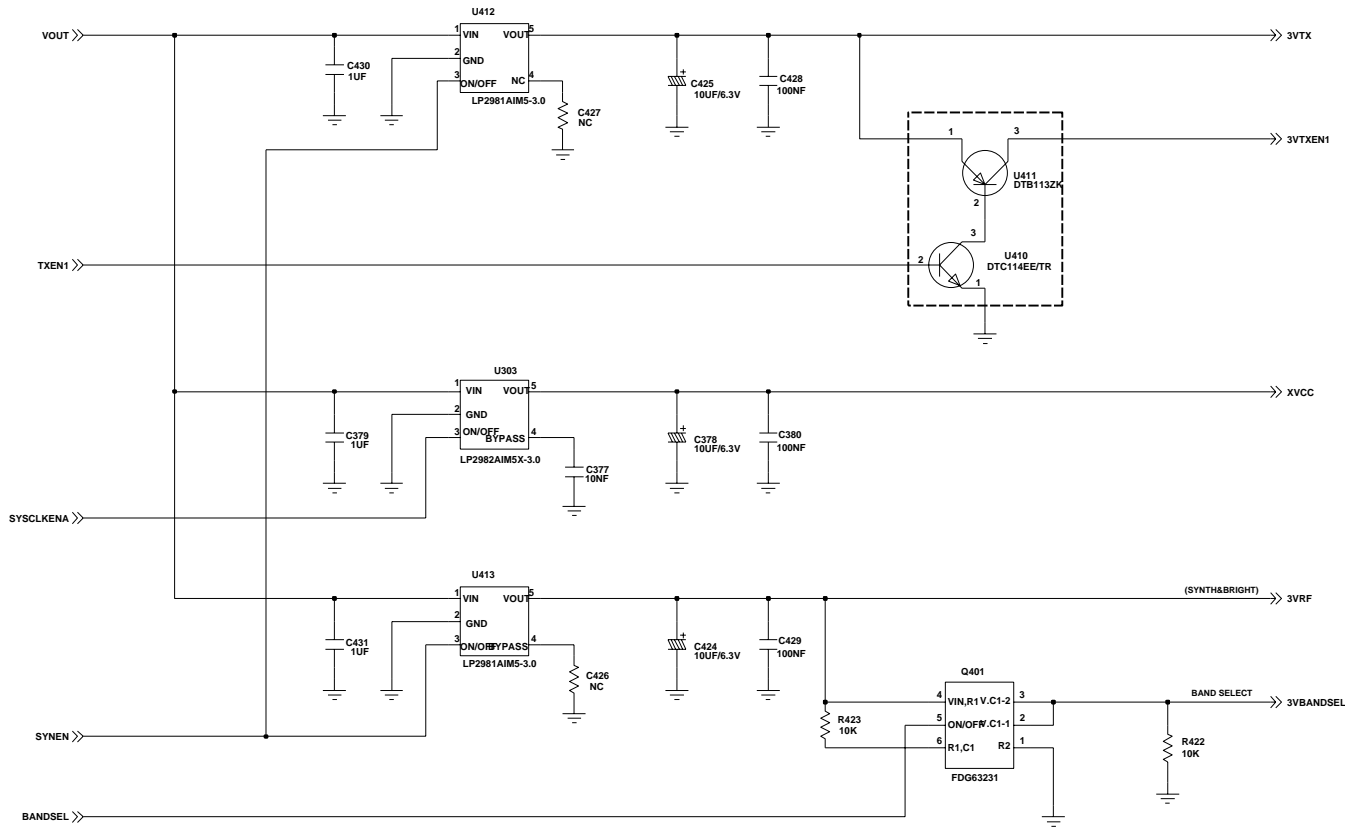
Engineer:	COMPANY NAME	
Drawn by:	SAMSUNG	
R&D CHK:	TITLE:	Size: A3
DOC CTRL CHK:	SGH-R200	
MFG ENGR CHK:	MEMORY SCHEMATIC	
QA CHK:	REV:	Page: 5/11
Changed by: S C Jung	Date Changed: May 21,2001	Time Changed:
	Drawing Number: V6.1	



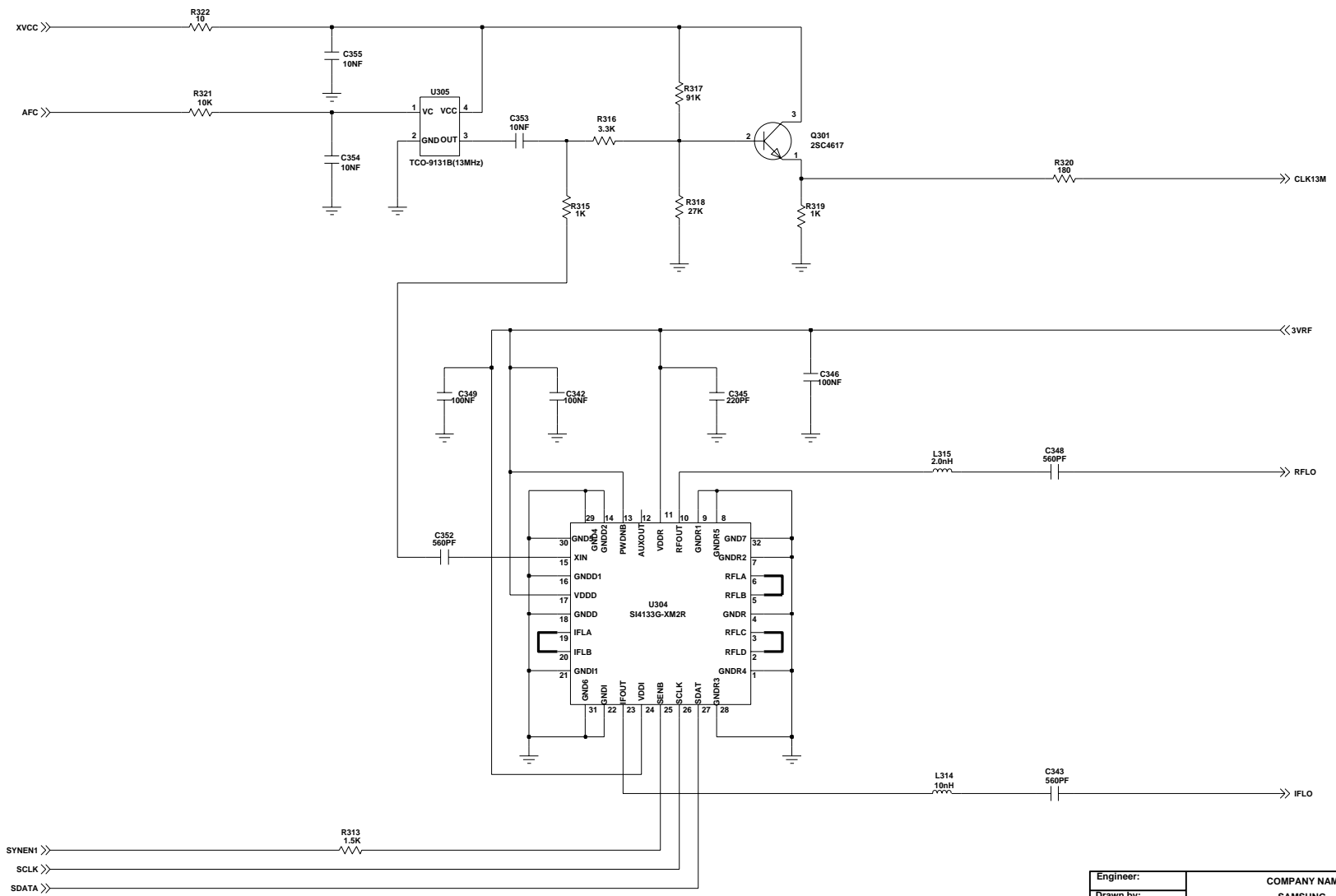
Engineer	Address	COMPANY NAME
Drawn by	City	
Rev'd		
DATE		
DOC CTRL CHK	TITLE	SGH-R200
MFG ENGR CHK		Kernel Schematic



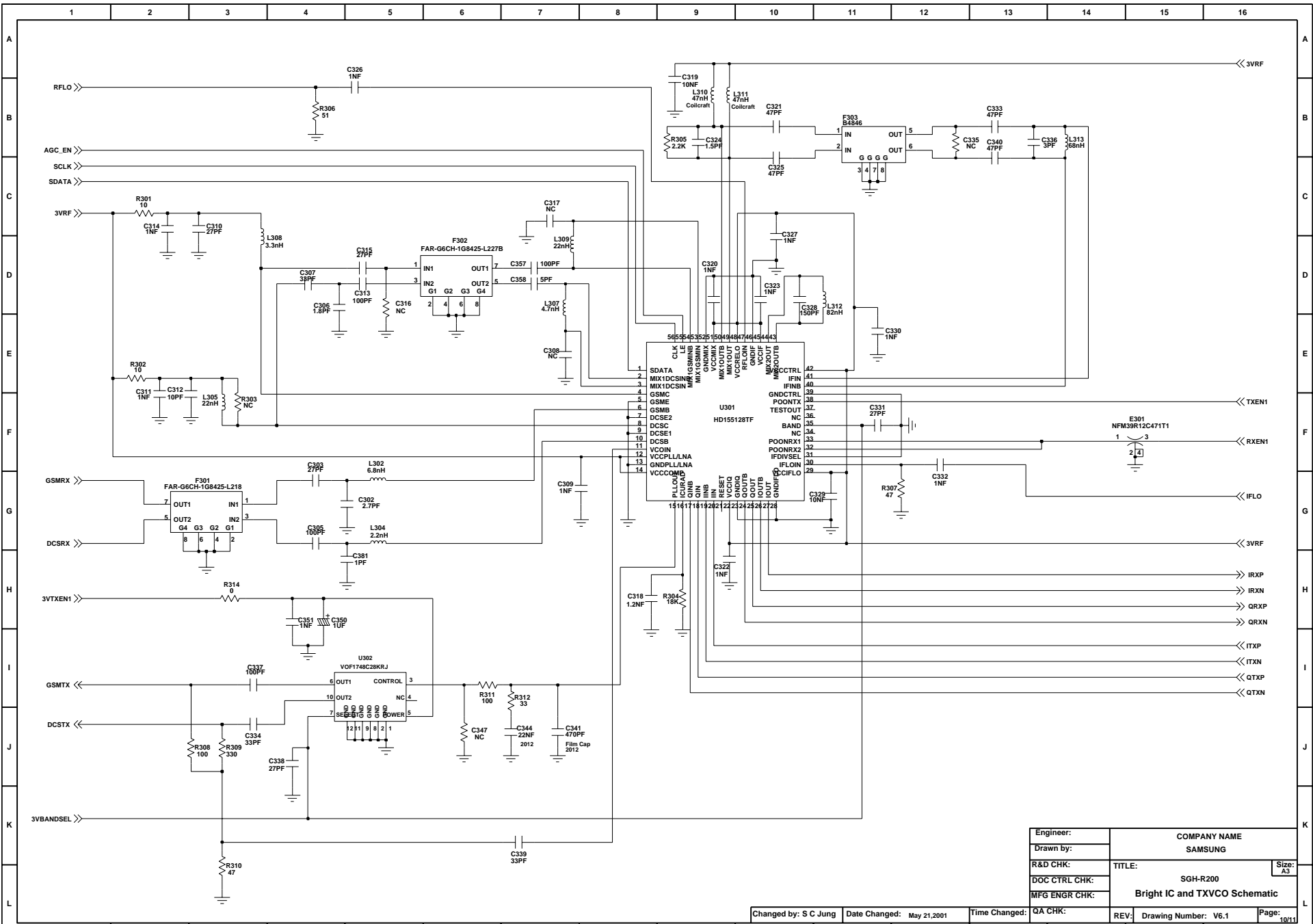
Engineer:	COMPANY NAME	
Drawn by:	SAMSUNG	
R&D CHK:	TITLE:	Size: A3
DOC CTRL CHK:	SGH-R200	
MFG ENGR CHK:	INTEFACE CONNECTOR SCHEMATIC	
QA CHK:	REV:	Page: 7/11
Changed by: S C Jung	Date Changed: May 21, 2001	Drawing Number: V6.1



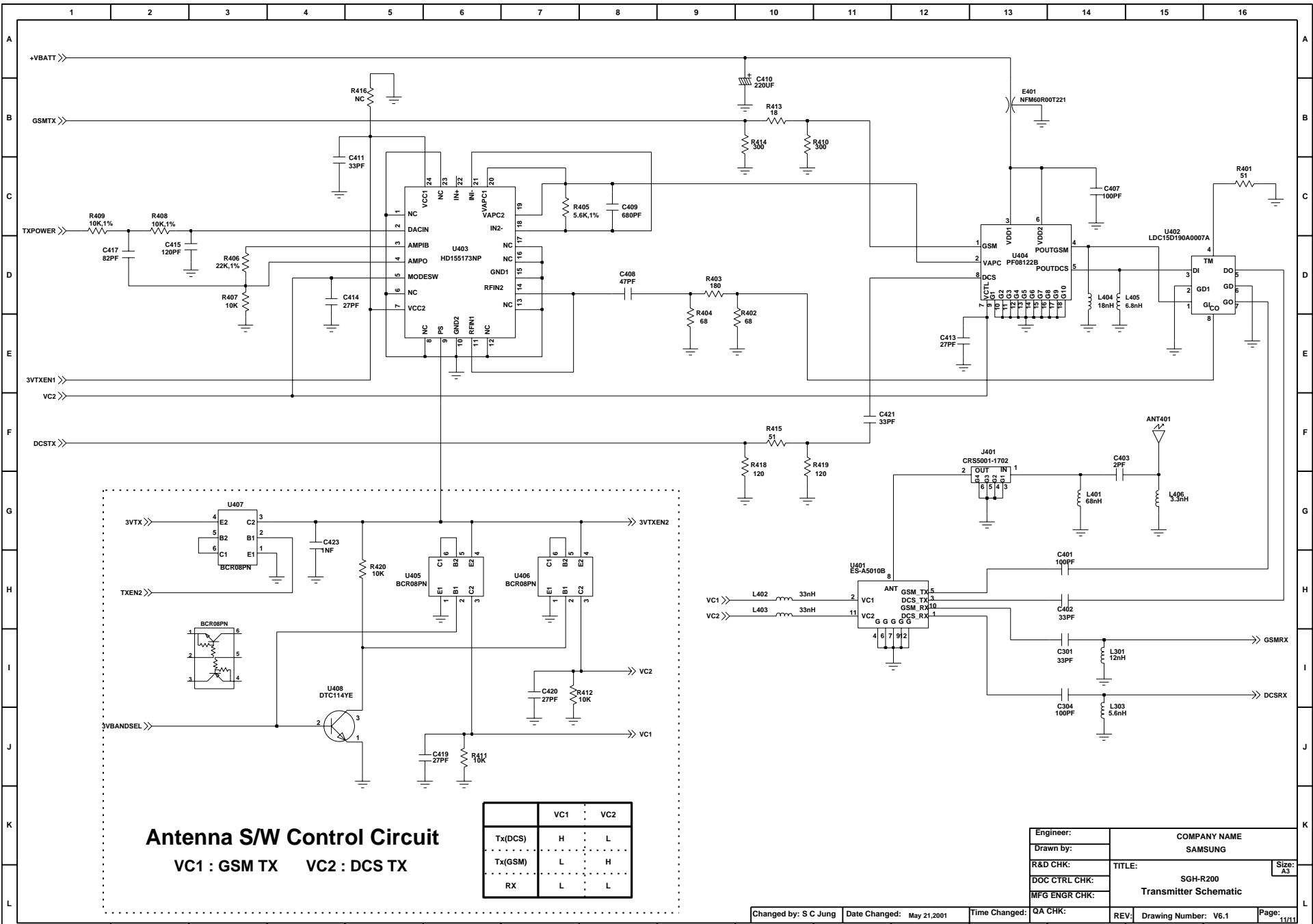
Engineer:	COMPANY NAME	
Drawn by:	SAMSUNG	
R&D CHK:	TITLE:	Size: A3
DOC CTRL CHK:	SGH-R200	
MFG ENGR CHK:	RADIO PSU SCHEMATIC	
Changed by: S C Jung	Date Changed: May 21,2001	Time Changed:
QA CHK:	REV:	Page: 8/11
	Drawing Number: V6.1	



Engineer:	COMPANY NAME	
Drawn by:	SAMSUNG	
R&D CHK:	TITLE:	Size: A3
DOC CTRL CHK:	SGH-R200	
MFG ENGR CHK:	VCO and Synth Schematic	
QA CHK:	REV:	Page: 9/11
Changed by: S C Jung	Date Changed: May 21,2001	Time Changed:
	Drawing Number: V6.1	



Engineer:	COMPANY NAME		
Drawn by:	SAMSUNG		
R&D CHK:	TITLE:	SGH-R200	
DOC CTRL CHK:	Bright IC and TXVCO Schematic		
MFG ENGR CHK:	QA CHK:	REV:	Drawing Number: V6.1
Changed by: S C Jung	Date Changed: May 21,2001	Time Changed:	Page: 10/11



Antenna S/W Control Circuit

VC1 : GSM TX VC2 : DCS TX

	VC1	VC2
Tx(DCS)	H	L
Tx(GSM)	L	H
RX	L	L

Engineer:	COMPANY NAME	
Drawn by:	SAMSUNG	
R&D CHK:	TITLE:	Size: A3
DOC CTRL CHK:	SGH-R200	
MFG ENGR CHK:	Transmitter Schematic	
QA CHK:	REV:	Page: 1/11
Changed by: S C Jung	Date Changed: May 21, 2001	Time Changed:
	Drawing Number: V6.1	