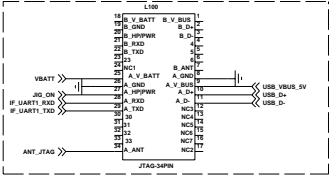
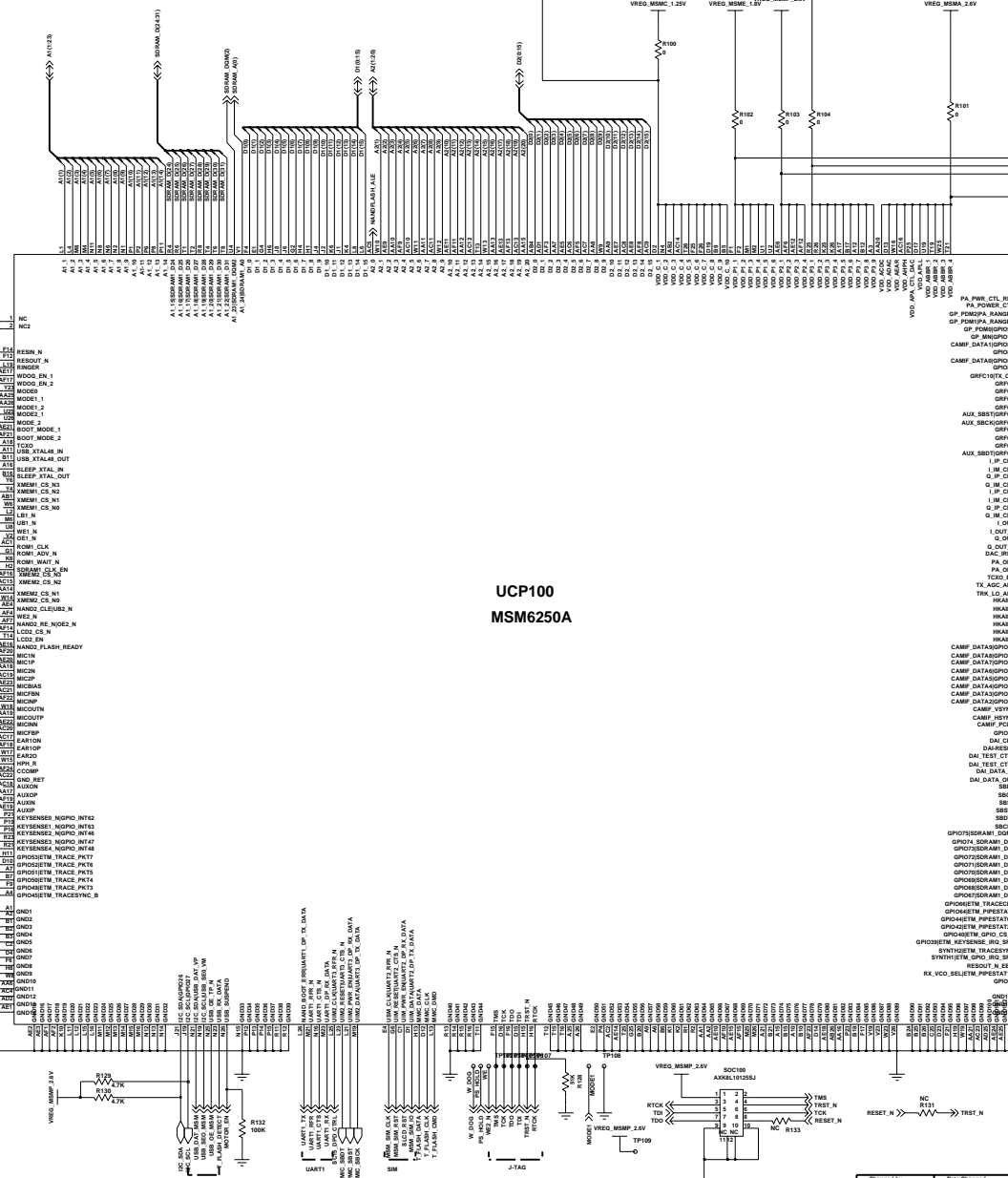


< JTAG 32pin >



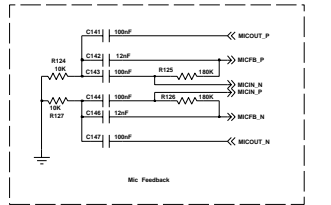
** Placed in Board Outside

< Modem >



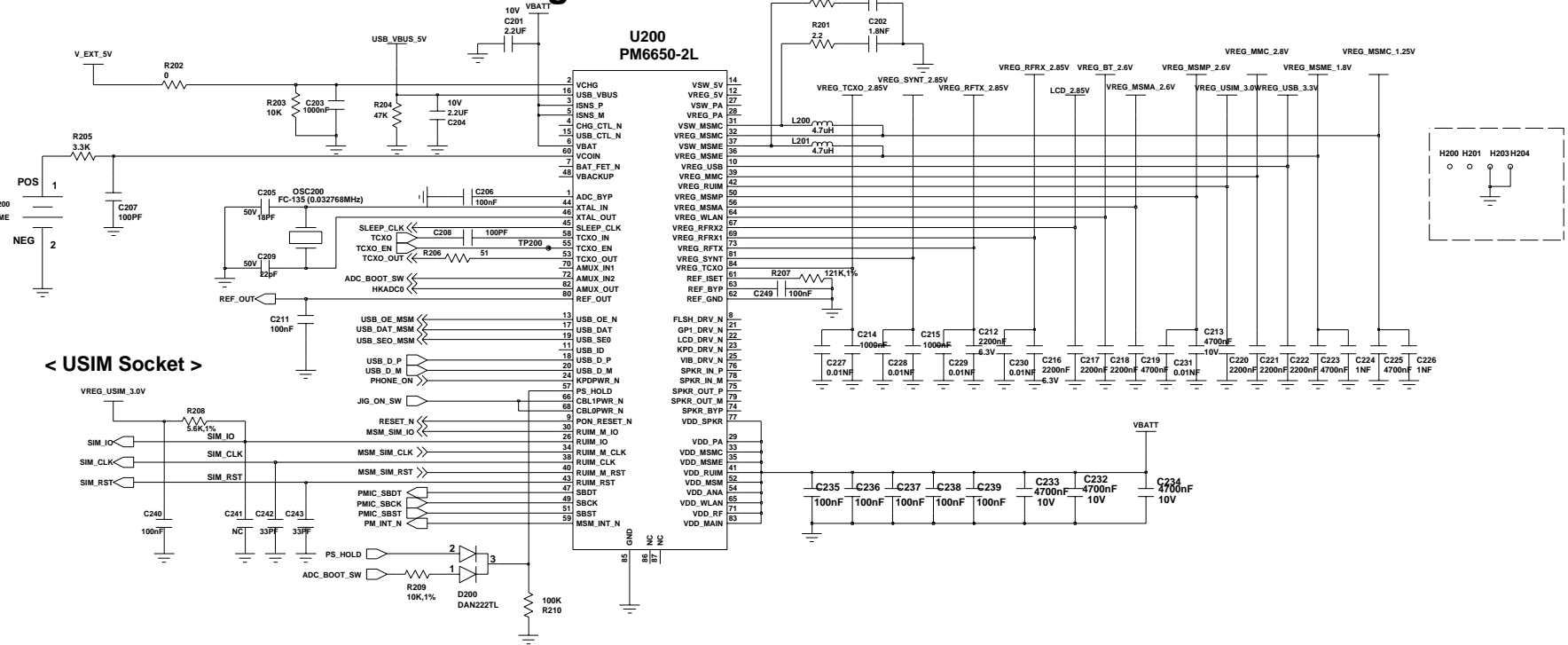
UCP100
MSM6250A

< MIC Feedback >

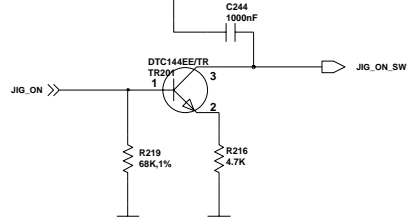


Engineer	SAMSUNG						
Drawn by							
Rev'd Ckr							
DOC CTRL Ckr	TITLE						
WFO ENDR Ckr	SGH-P920_REV0.7						
Changed by	Date Changed	2006.01.26	Time Changed	QA Ckr	REV	Drawing Number	Sheet
							1 of 9

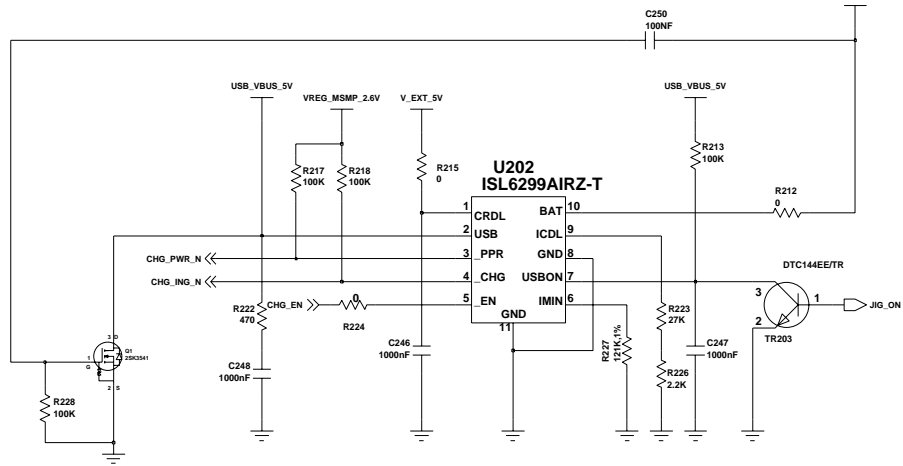
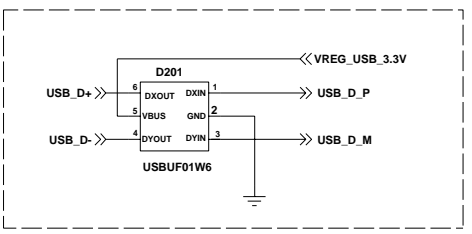
< Power Management IC >



< JIG Detect Logic >

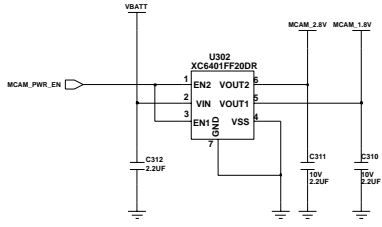


< USB Filter >

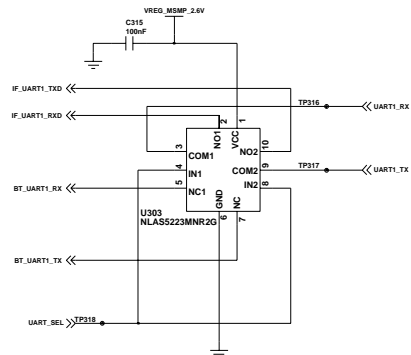


Engineer	SAMSUNG		Size A3
Drawn by	TITLE: SGH-P920_REV0.7		
R&D CHK			
DOC CTRL CHK			
MFG ENGR CHK			
Changed by	Date Changed	2006.01.20	Time Changed
QA CHK	REV	Drawing Number	Sheet 2 of 9

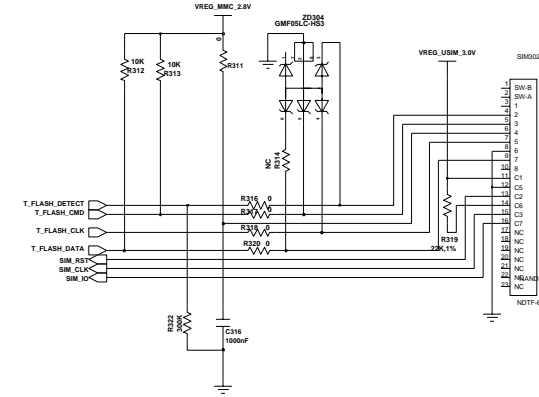
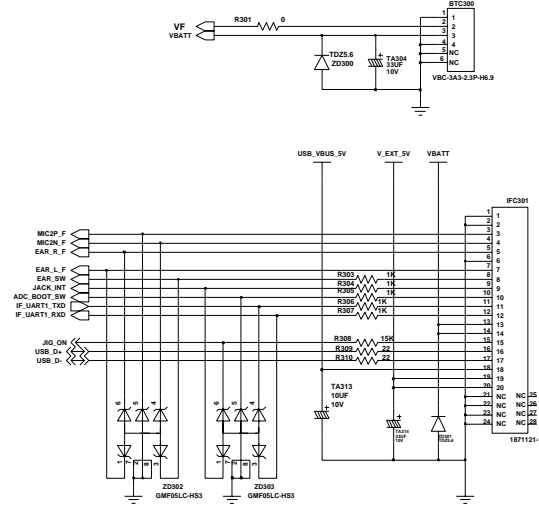
< 1.3M Camera Power >



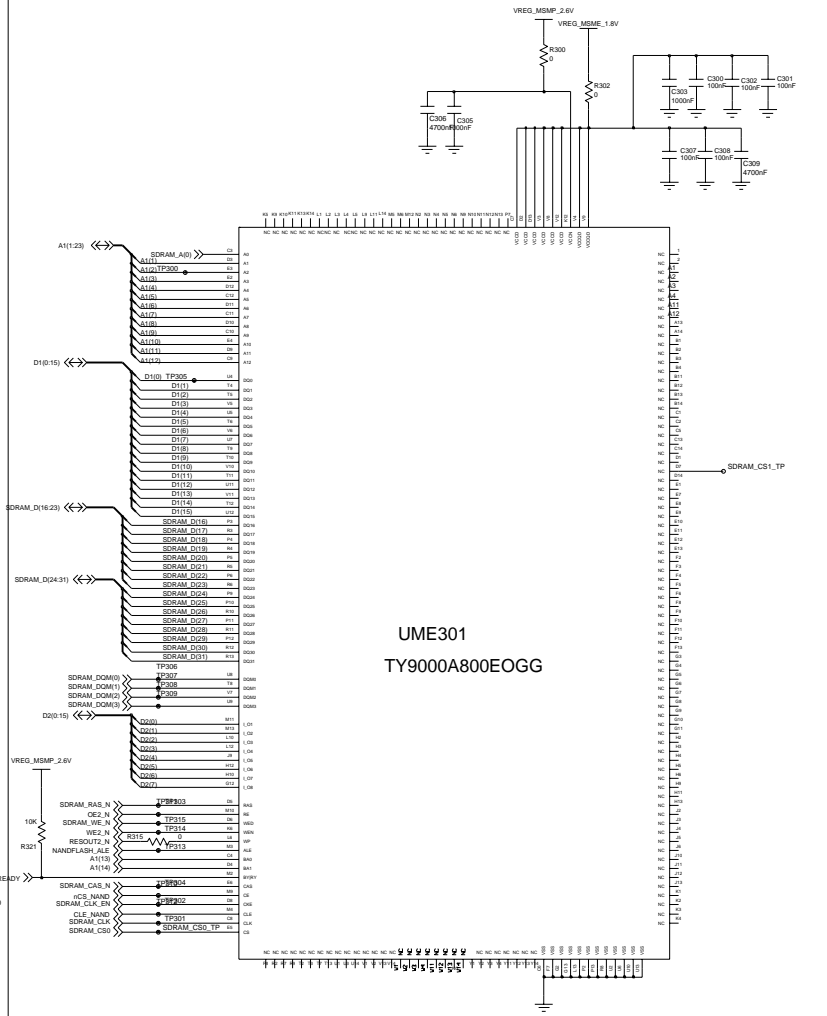
< UART Switch >



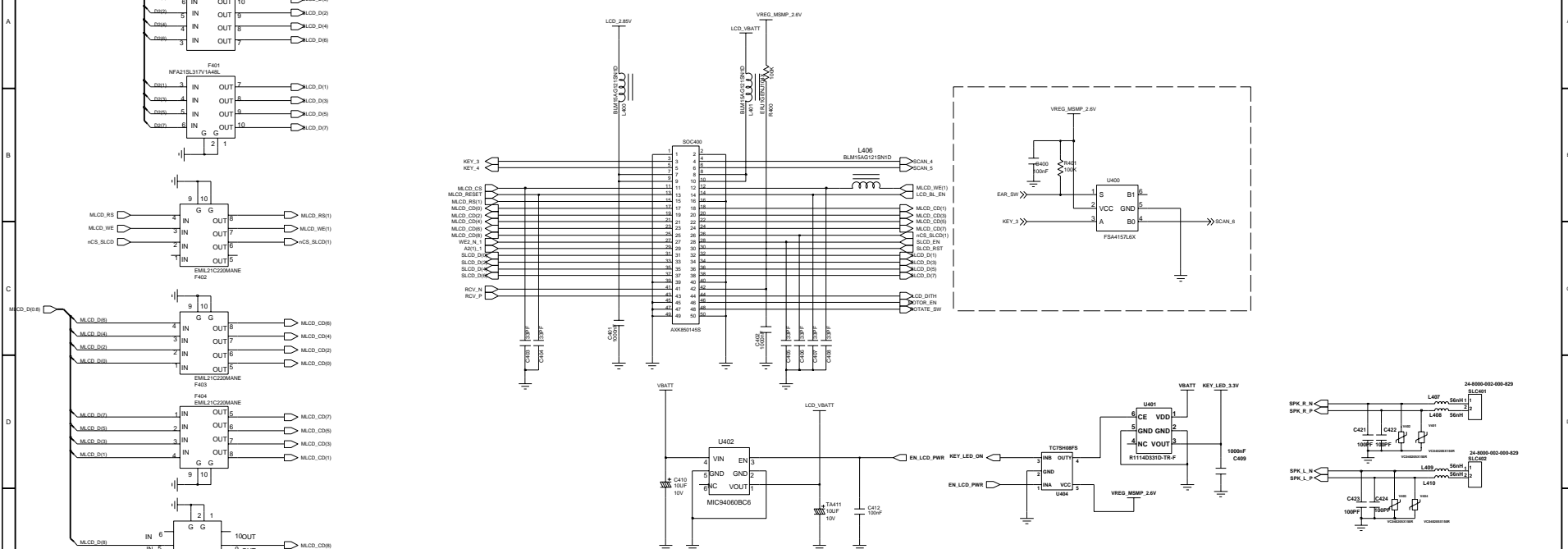
< IF Connector >



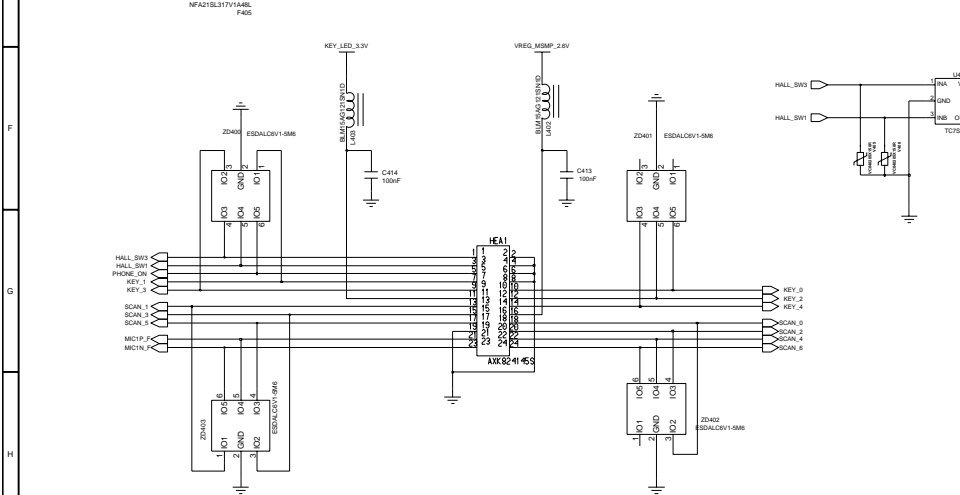
< Memory >



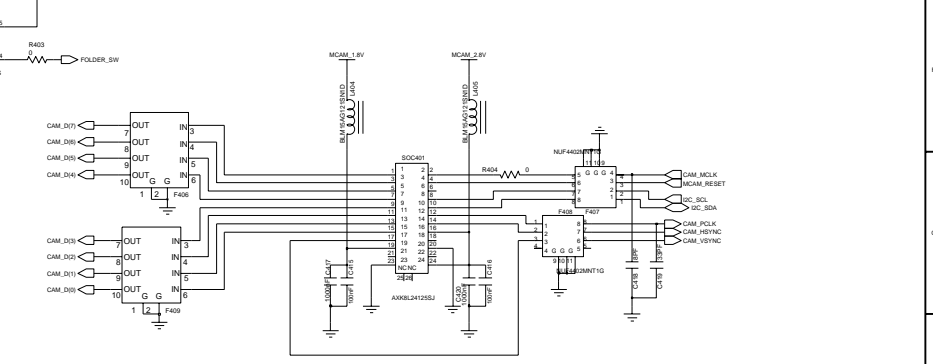
< LCD Connector >



< Key Connector >

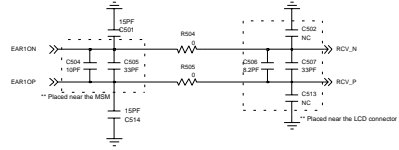


<1.3M Camera Connector >

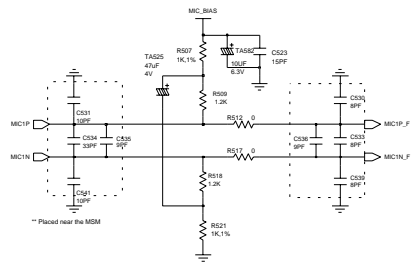


Engineer	SAMSUNG
Drawn by	
Rev'd Ckr	TITLE
DOC CTRL Ckr	SGH-P920_REV.0.7
MFG ENGR Ckr	

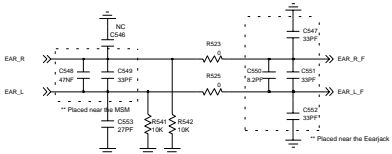
< Receiver Path >



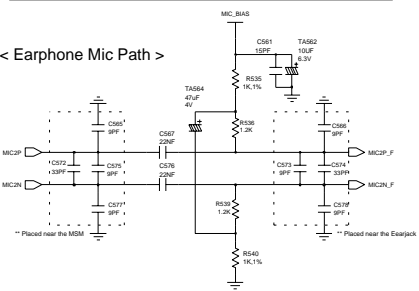
< Phone Mic Path >



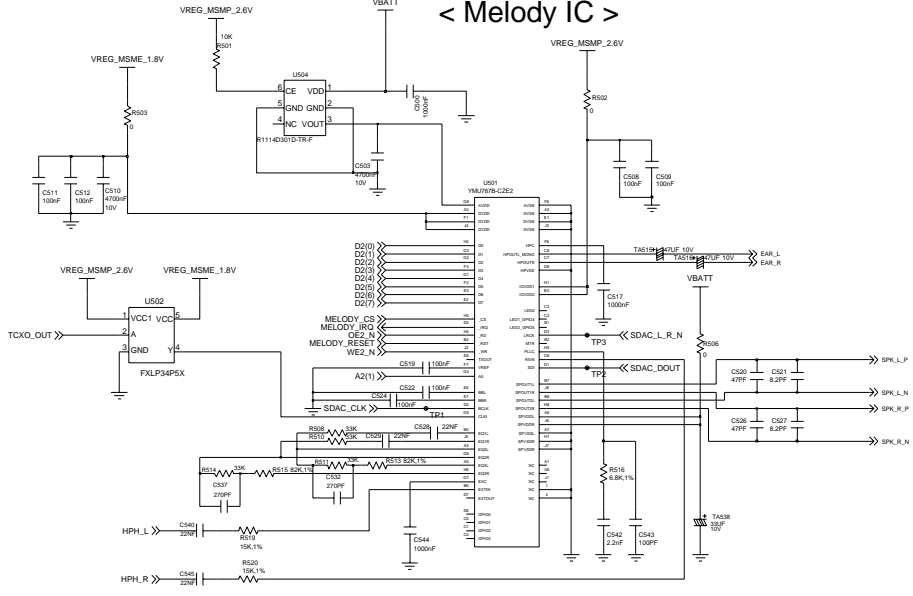
< Earphone Path >



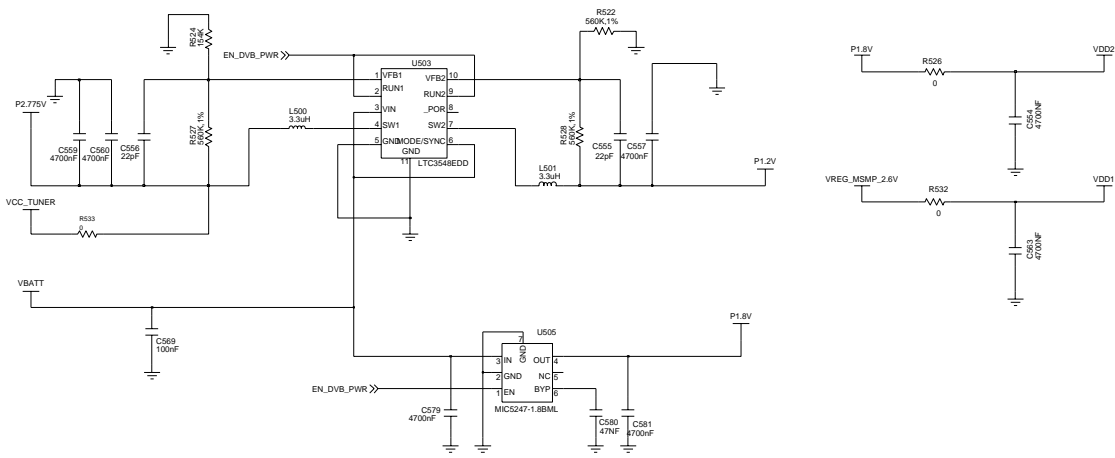
< Earphone Mic Path >



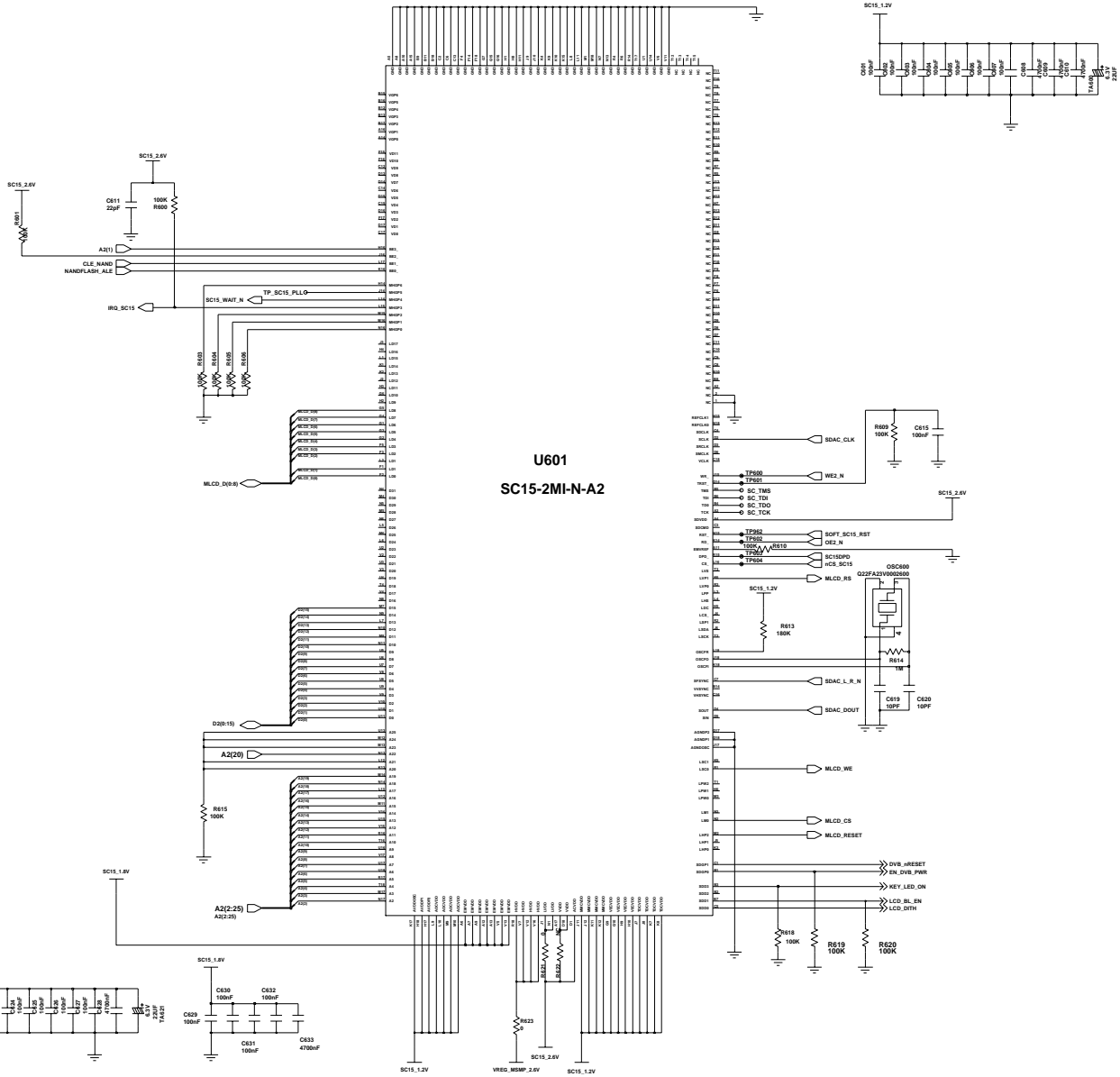
< Melody IC >



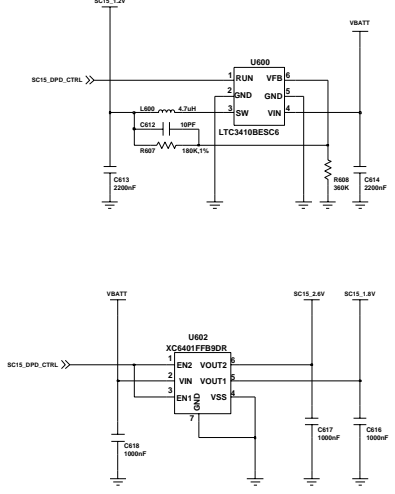
<DVB_POWER>



< Backend Chip >

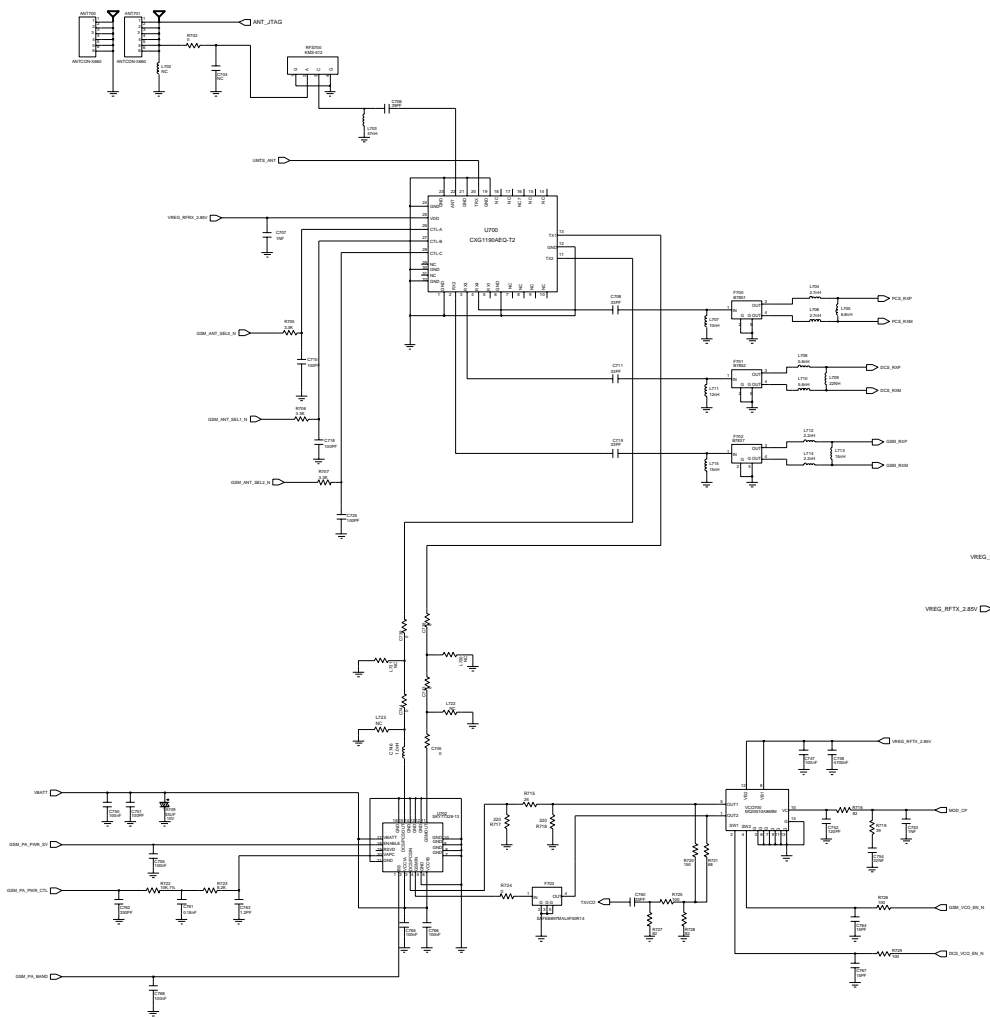


< Backend Chip Power >

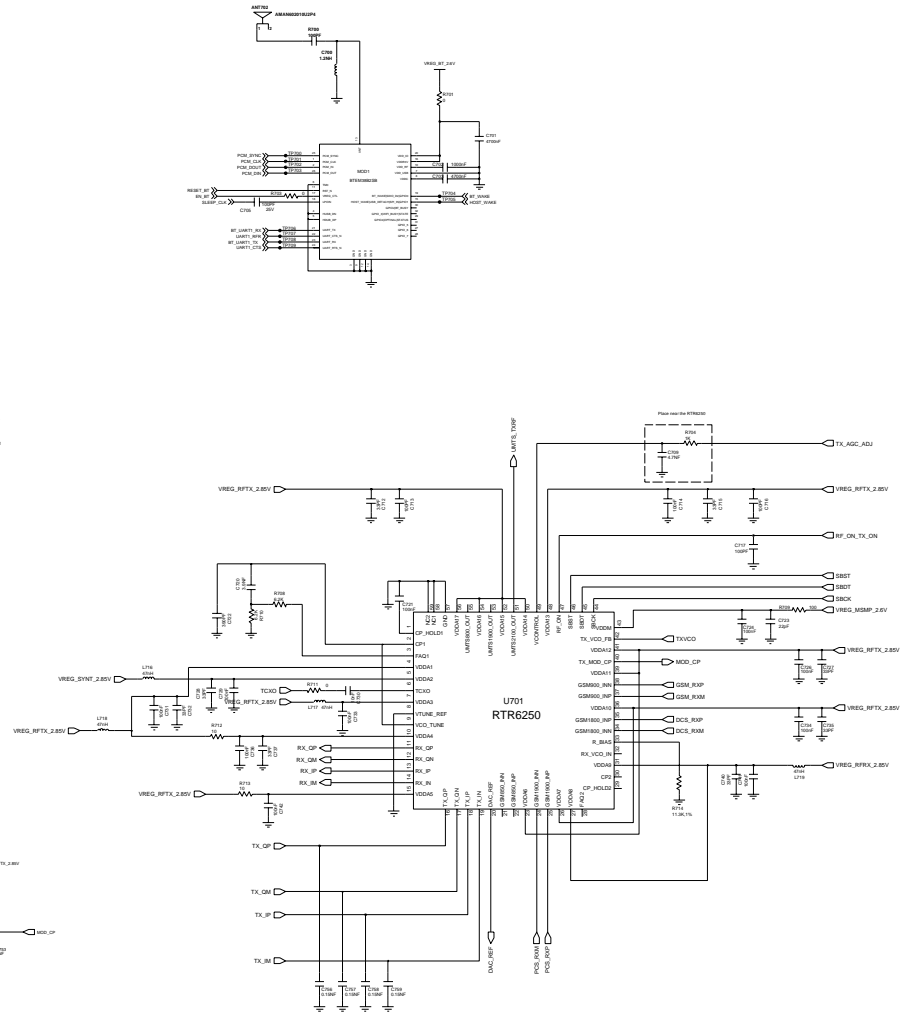


Engineer	SAMSUNG	
Drawn by		
R&D CTRL	TITLE	12/14
DOC CTRL CHK	SGH-P920_REV0.7	
MFG ENDR CHK	REV	6 of 9

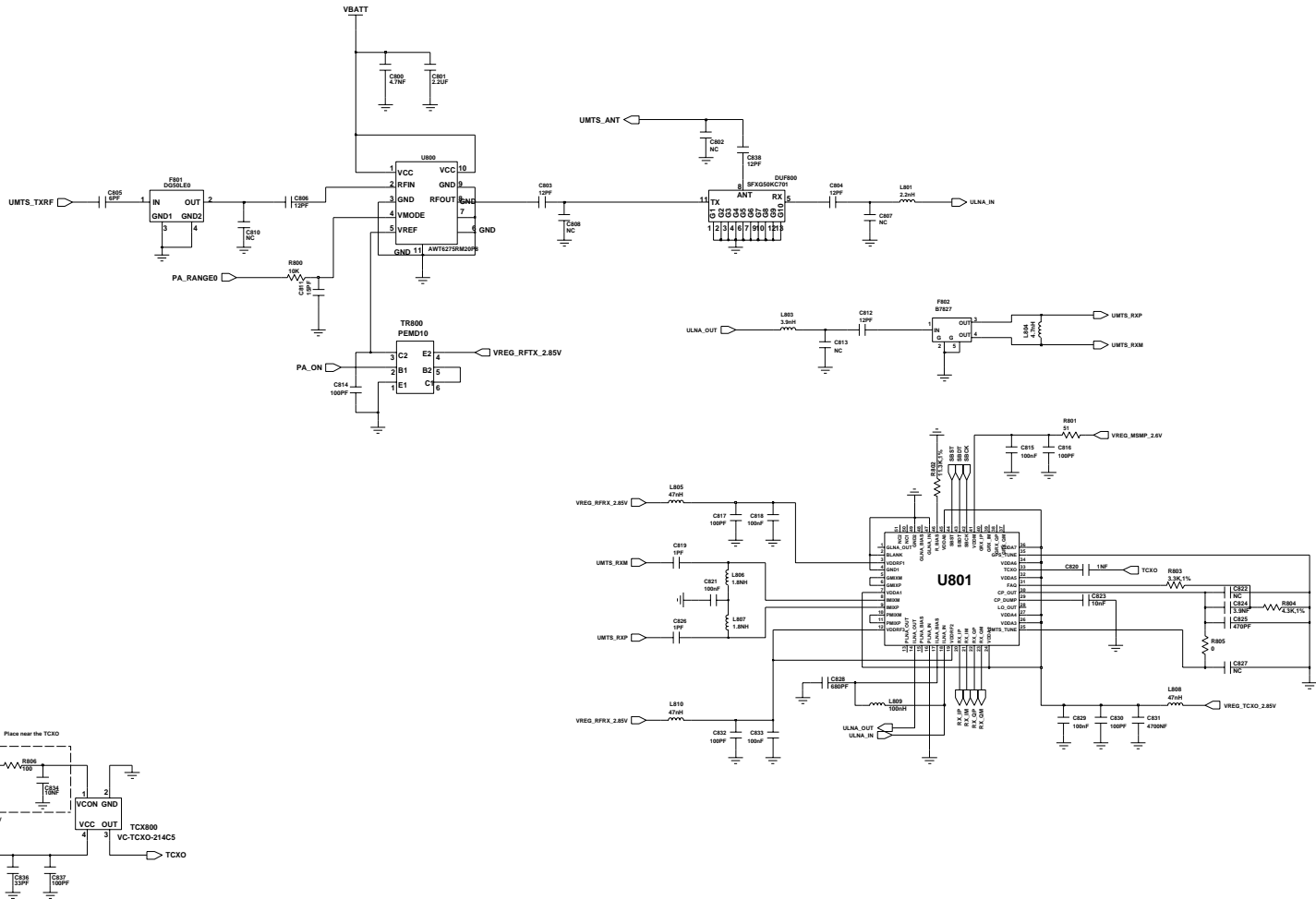
< GSM >



< Bluetooth >



< WCDMA >



1 2 3 4 5 6 7 8

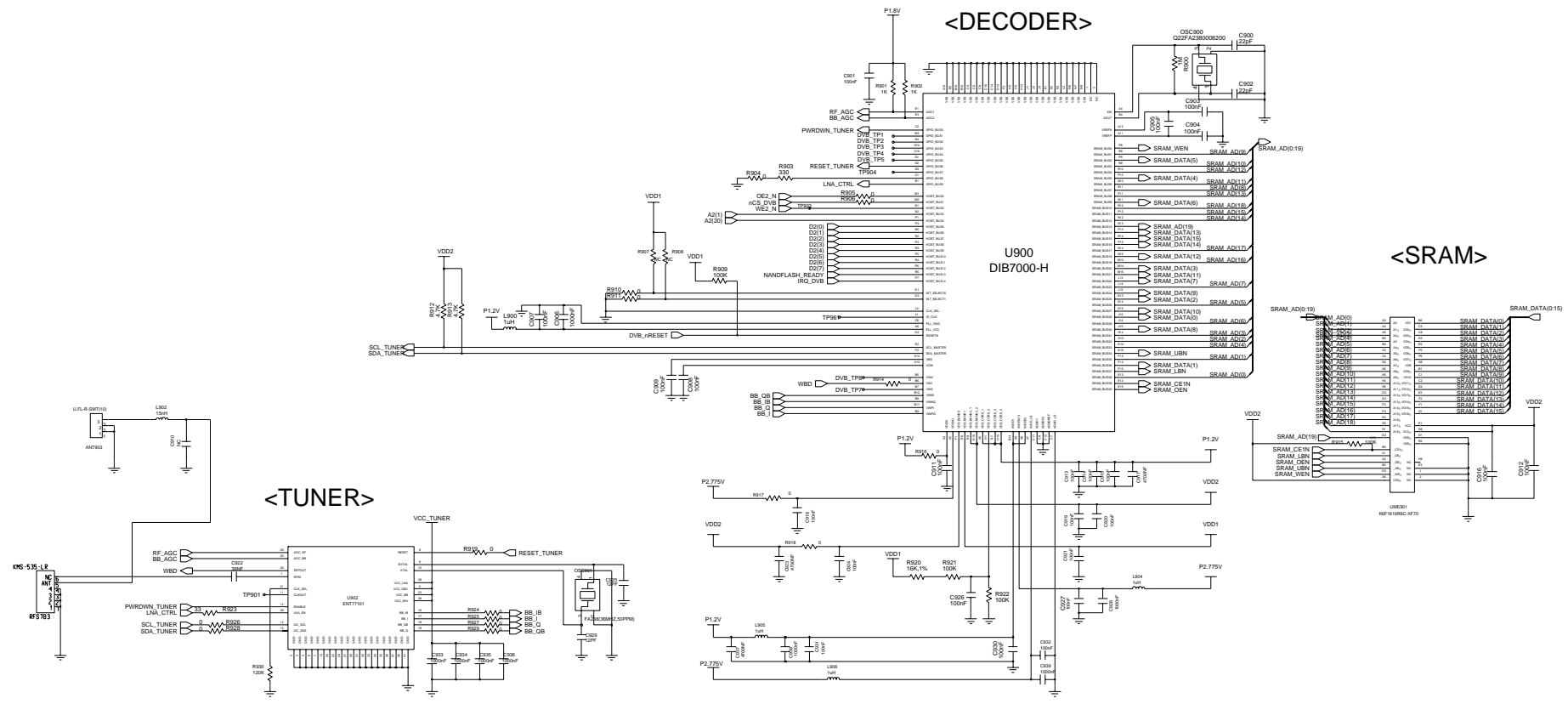
A

B

C

D

E



Engineer:	COMPANY NAME		
Drawn by:	Address		
R&D CHK:	City		
DOC CTRL CHK:	TITLE:	Size:	
MFG CTRL CHK:	SGH-P920_REV0.7		d
QA CHK:	REV:	Drawing Number:	Page:
Changed by:	Date Changed:	2006.01.20	9 OF 9

1 2 3 4 5 6 7 8