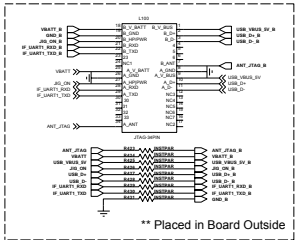
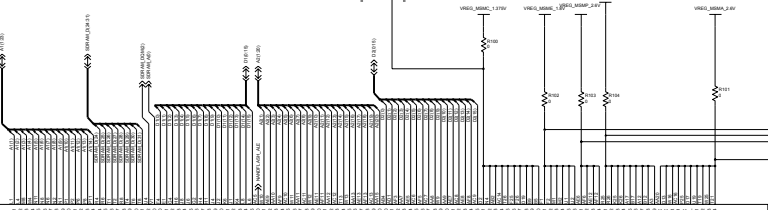


< JTAG 32pin >



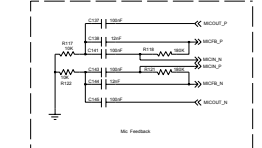
** Placed in Board Outside

< Modem >



U100
MSM6250A

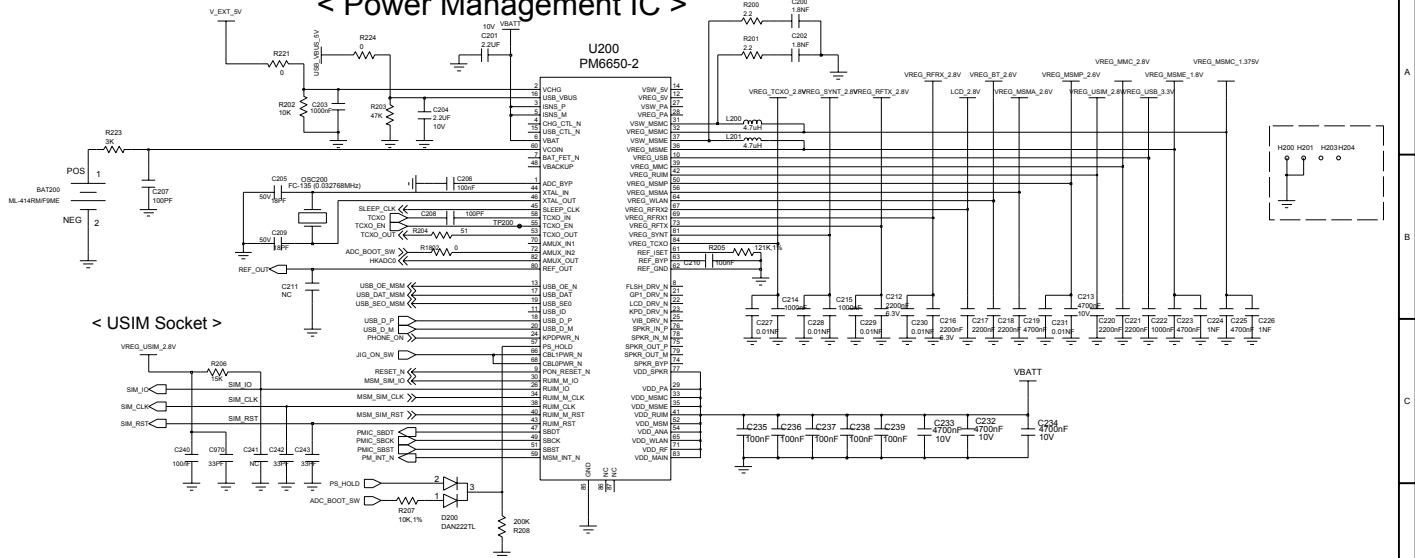
< MIC Feedback >



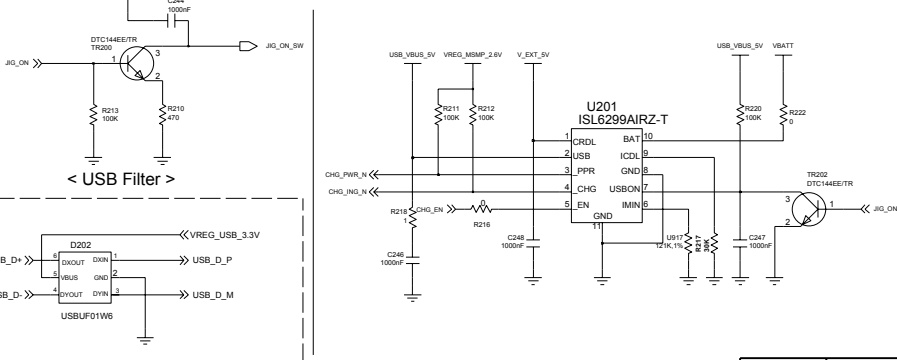
REV	DATE	DESCRIPTION	BY	CHK
1.0	2008-08-21	Initial Release
1.1	2008-08-21
1.2	2008-08-21
1.3	2008-08-21
1.4	2008-08-21
1.5	2008-08-21
1.6	2008-08-21
1.7	2008-08-21
1.8	2008-08-21
1.9	2008-08-21
2.0	2008-08-21

STEALTH_H_REV1.3

< Power Management IC >

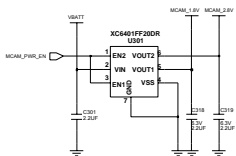


< JIG Detect Logic >

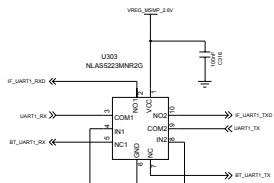


Engineer		SAMSUNG TITLE: STEALTH_H_REV1.3	Size
Drawn by			AW
REV / CHK			
DESIGN / CHK			
DATE / CHK			
Changed by	Date Changed	Time Changed	DR / CK
	2006.02.21		
REV	Drawing Number	Sheet	2 of 5

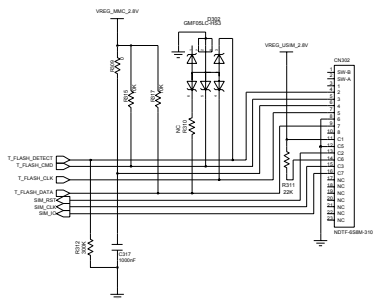
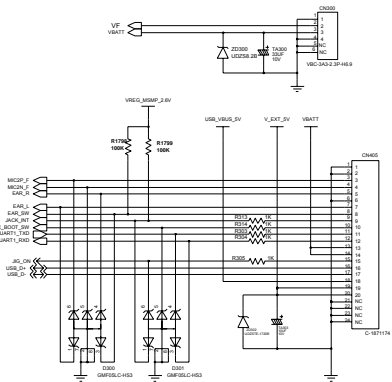
< 1.3M Camera Power >



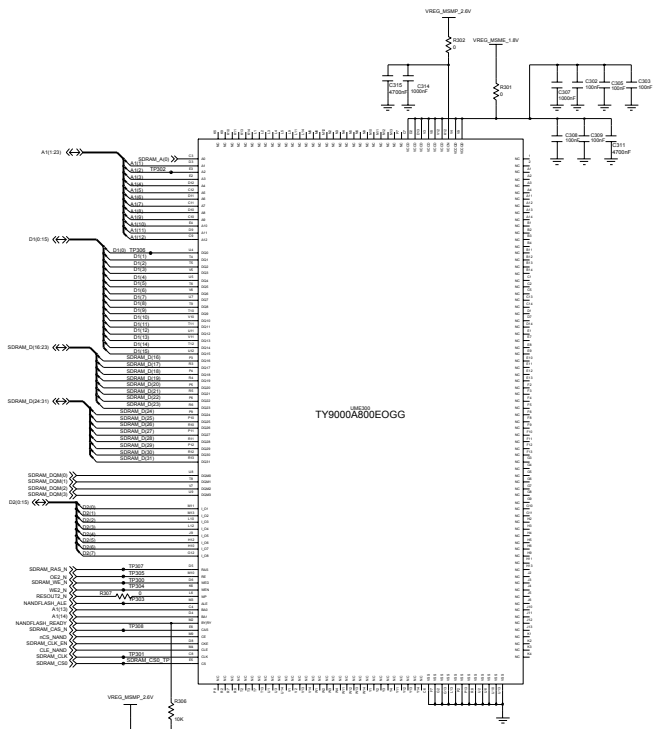
< UART Switch >



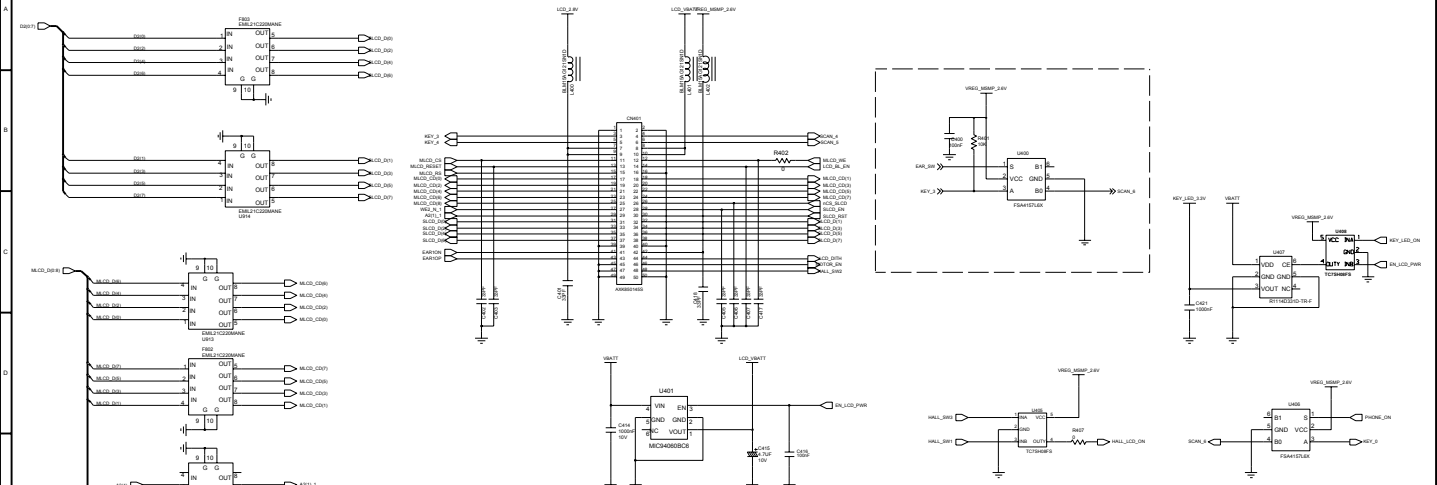
< IF Connector >



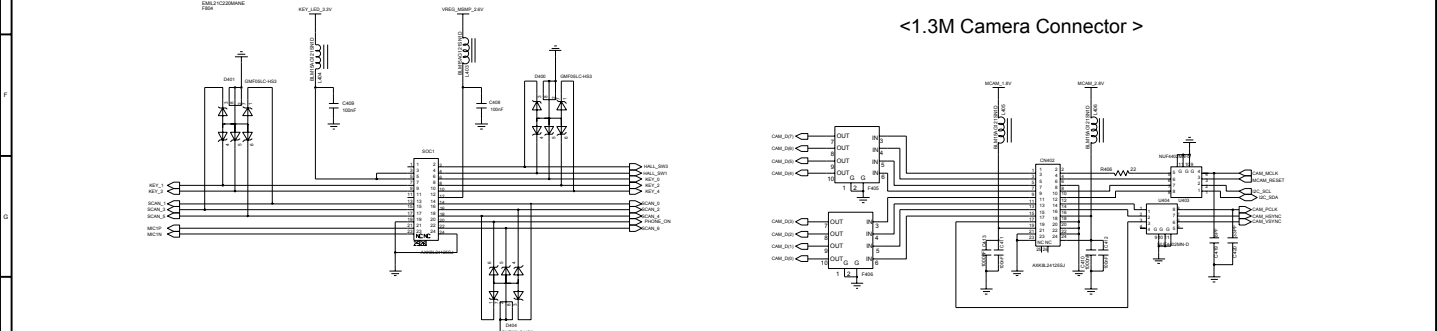
< Memory >



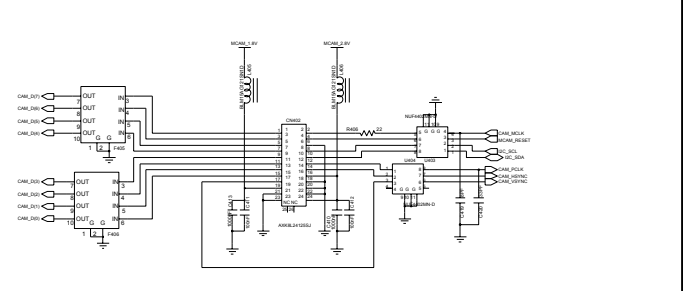
< LCD Connector >



< Key Connector >

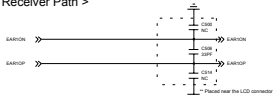


<1.3M Camera Connector >

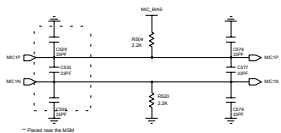


REV	DATE	DESCRIPTION
1.0	2023-10-27	Initial Release
1.1	2023-11-15	Added Key Connector
1.2	2023-12-01	Added 1.3M Camera Connector

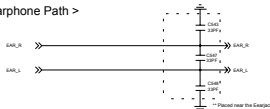
< Receiver Path >



< Phone Mic Path >



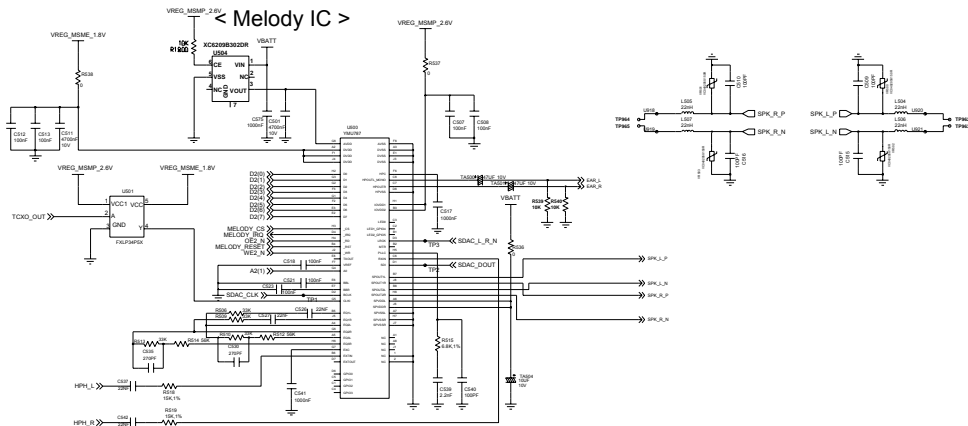
< Earphone Path >



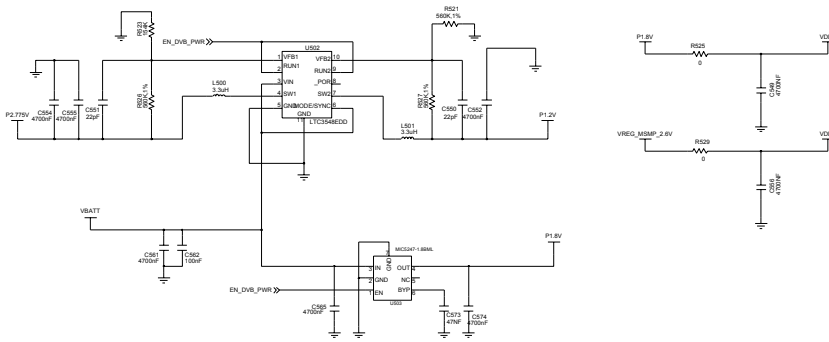
< Earphone Mic Path >



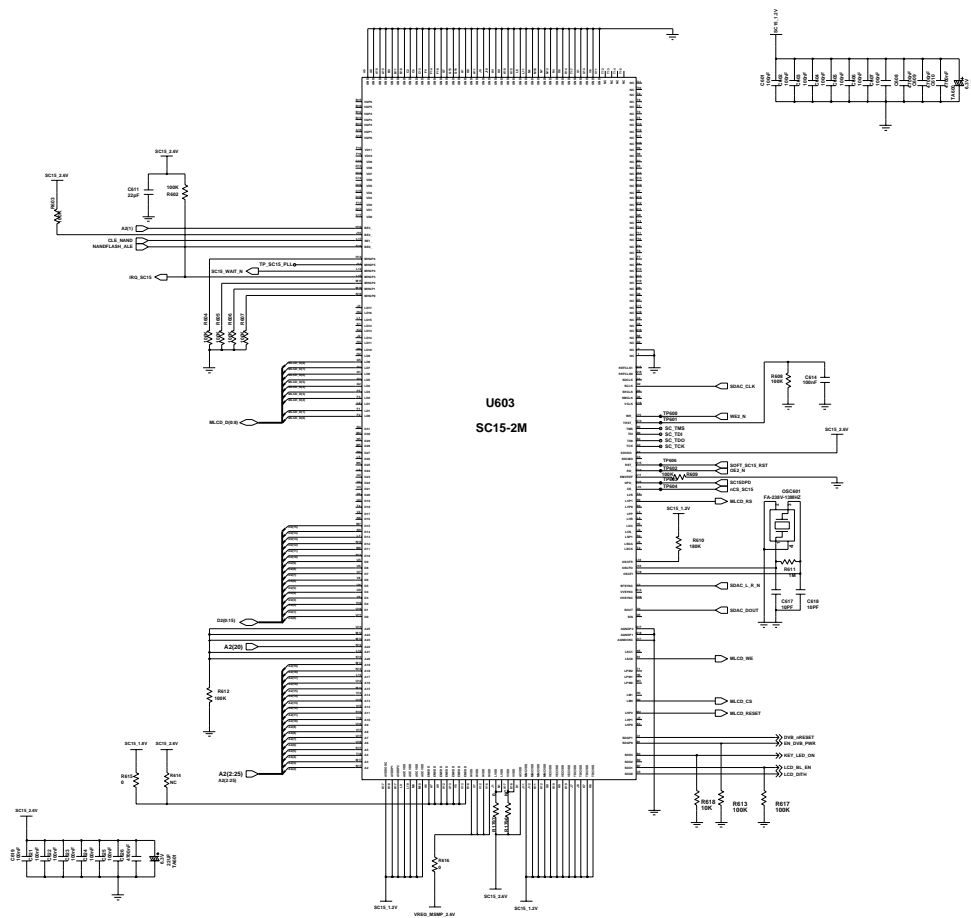
< Melody IC >



< DVB_POWER >

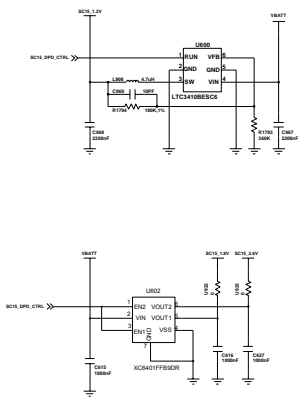


< Backend Chip >



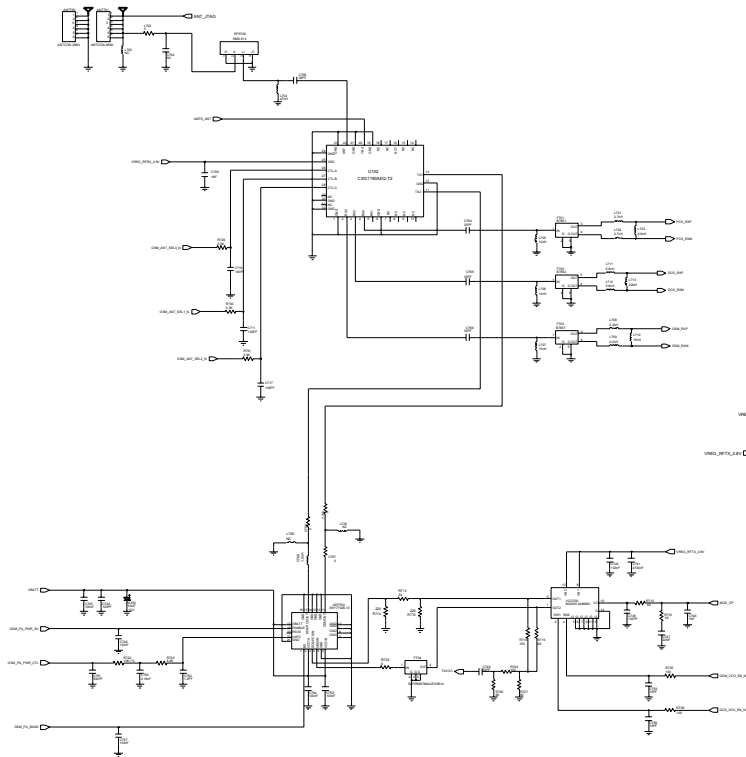
U603
SC15-2M

< Backend Chip Power >

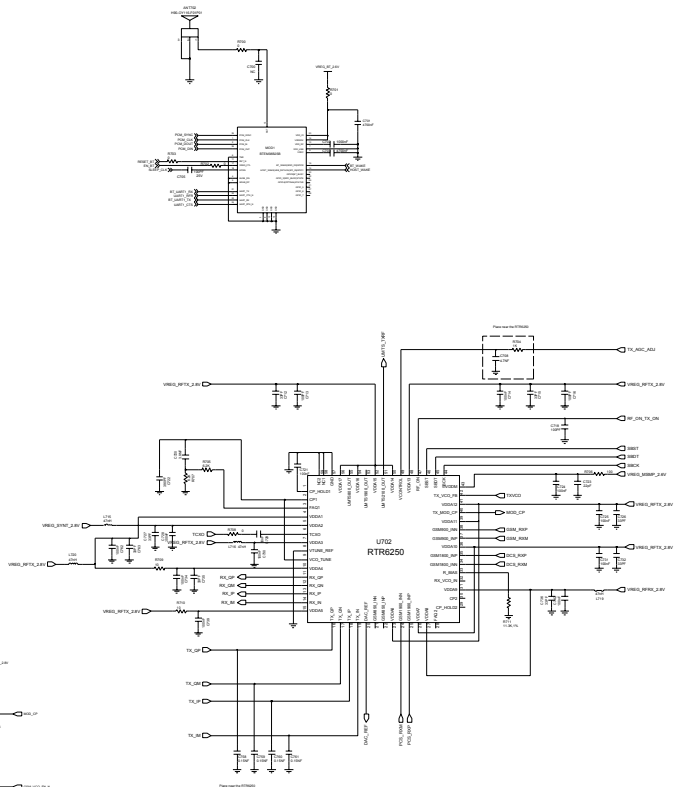


Project	STEALTH_H
Drawn By	WFLA
Rev	1.0
Part Number	STEALTH_H_REV1.3
Doc No	REV
Sheet	2 of 2

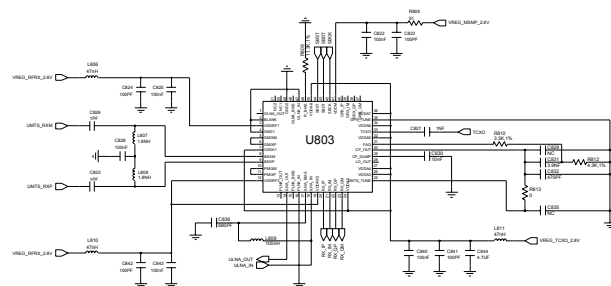
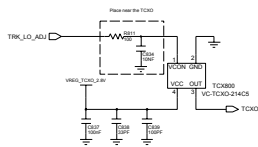
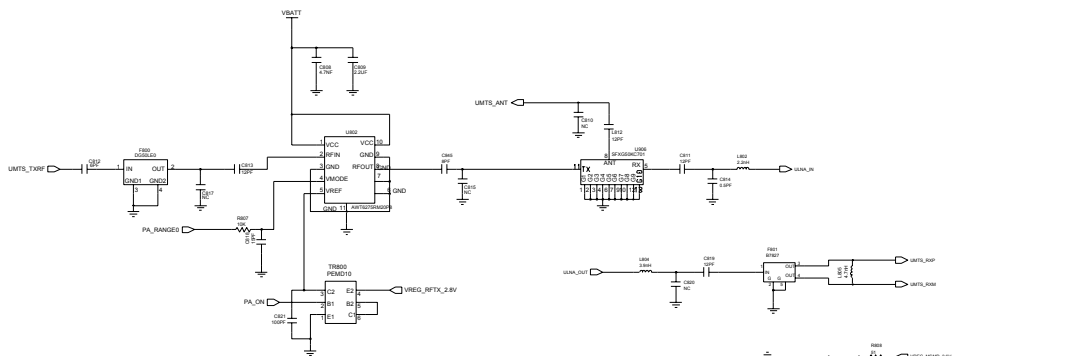
< GSM >

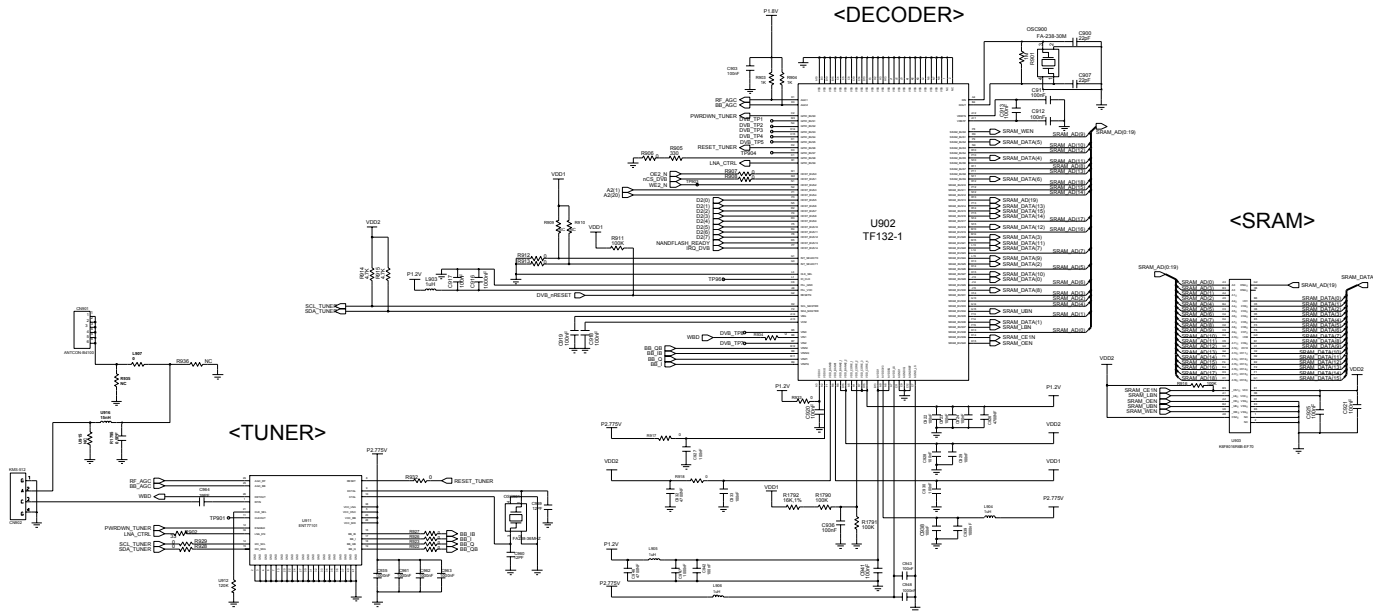


< Bluetooth >



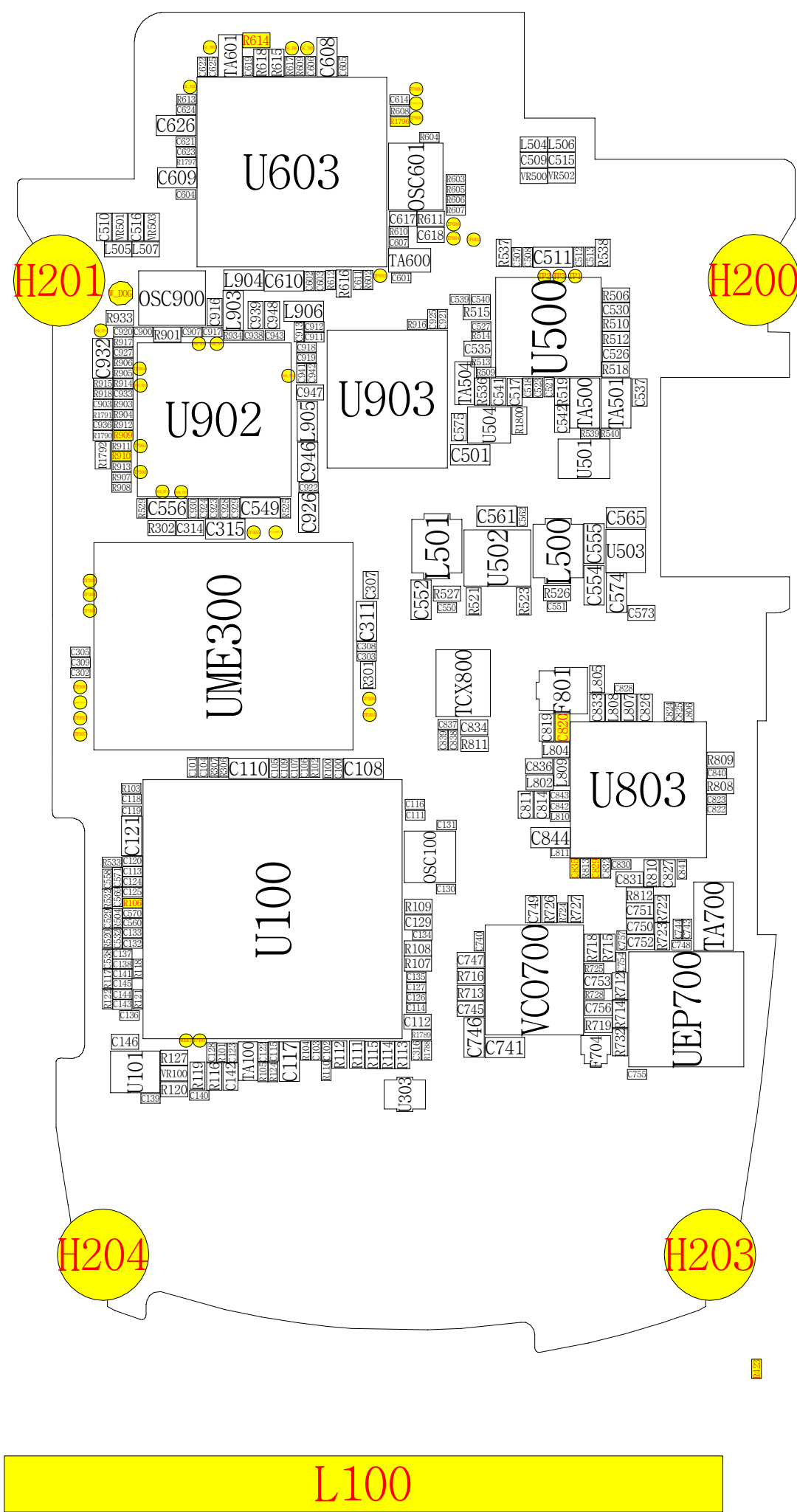
< WCDMA >





Engineer:	COMPANY NAME	
Drawn by:	Address	
R&D CHK:	City	
DOC CTRL CHK:	TITLE:	Size:
MFG CTRL CHK:	STEALTH_H_REV1.3	
QA CHK:	REV:	Drawing Number:
Changed by:	Date Changed: 2006.02.21	Page: 9 OF 9

- U303
- U302
- U301
- U300
- U299
- U298
- U297
- U296
- U295
- U294
- U293



L100

