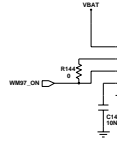
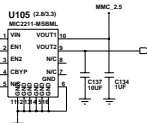
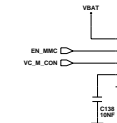


IRDA

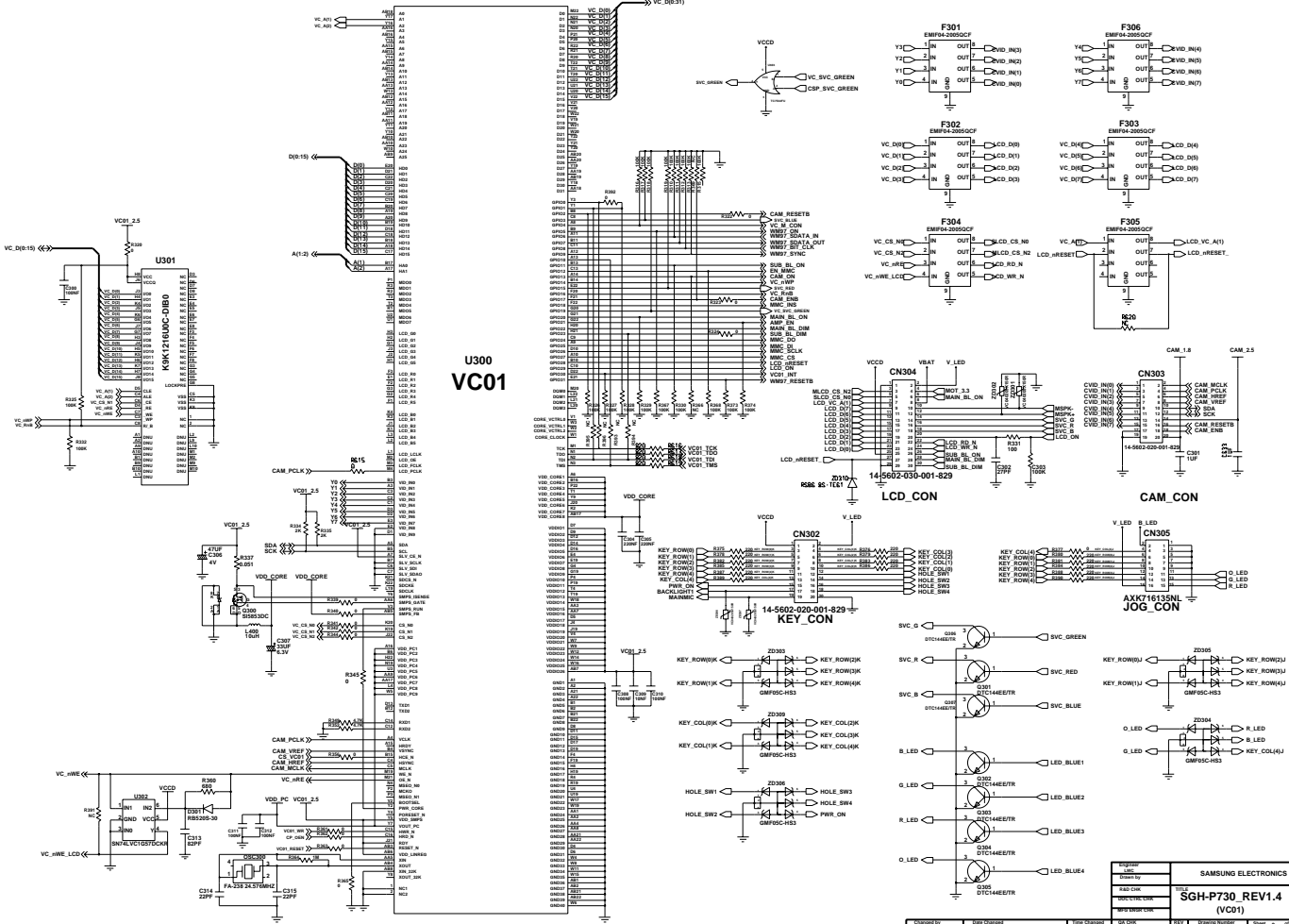
JTAG CON

RS_MMC

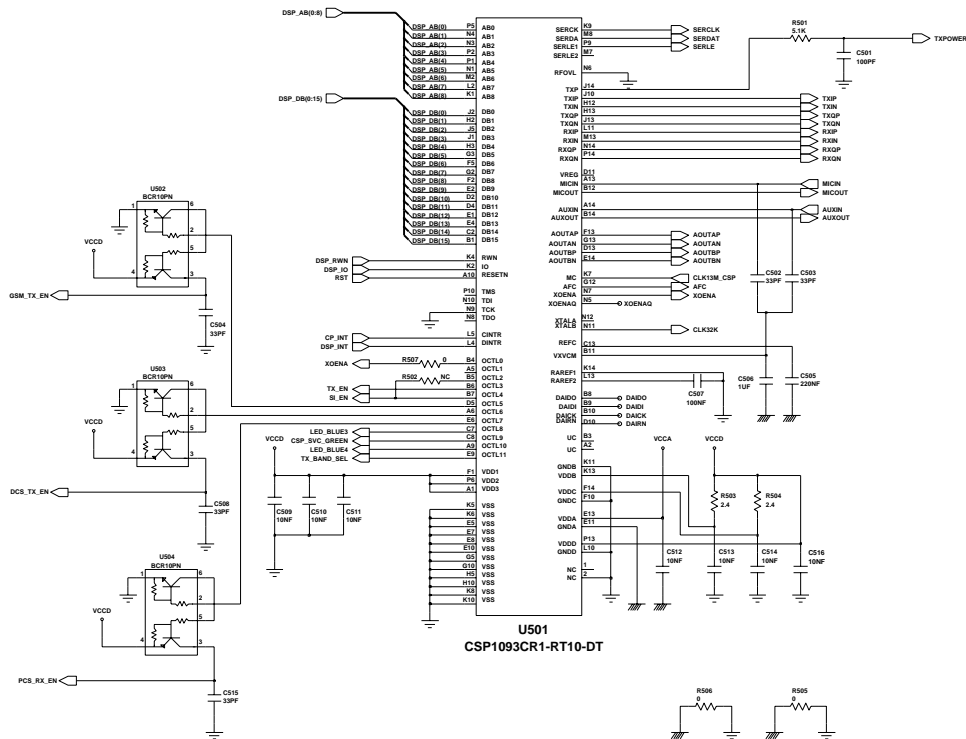


Sheet1 : PSC2106 & I/F CON
 Sheet2 : AUDIO
 Sheet3 : VCO1
 Sheet4 : TRIDENT
 Sheet5 : CSP1093
 Sheet6 : RF

DESIGNER	SAMSUNG ELECTRONICS		
DESIGNED BY			
DATE			
APPROVED BY			
DATE			
SGH-P730_REV1.4			
(PSC/I/F CON)			
DESIGNED BY	DATE	DATE	DATE
10	10	2004.01.26	1004
11	10	2004.01.26	1004
12	10	2004.01.26	1004



DESIGNER	DATE	SAMSUNG ELECTRONICS
DWG. NO.	REV.	
DESIGNER	DATE	SGH-P730_REV1.4
DWG. NO.	REV.	
DESIGNER	DATE	(VC01)



Engineer LWC	SAMSUNG ELECTRONICS		Size A3
Drawn by			
R&D CHK	TITLE SGH-P730_REV1.4		Sheet 5 of 6
DDC CTRL CHK			
WFS ENDR CHK			

Changed by	Date changed	Time changed	QA CHK	REV	Drawing Number	Sheet 5 of 6
------------	--------------	--------------	--------	-----	----------------	--------------

