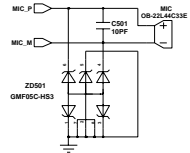
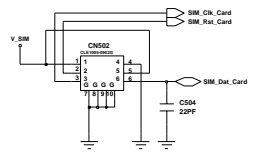
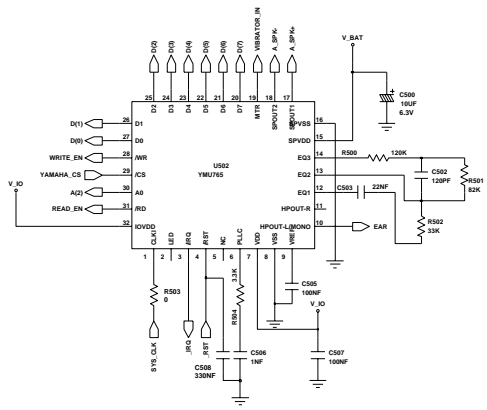
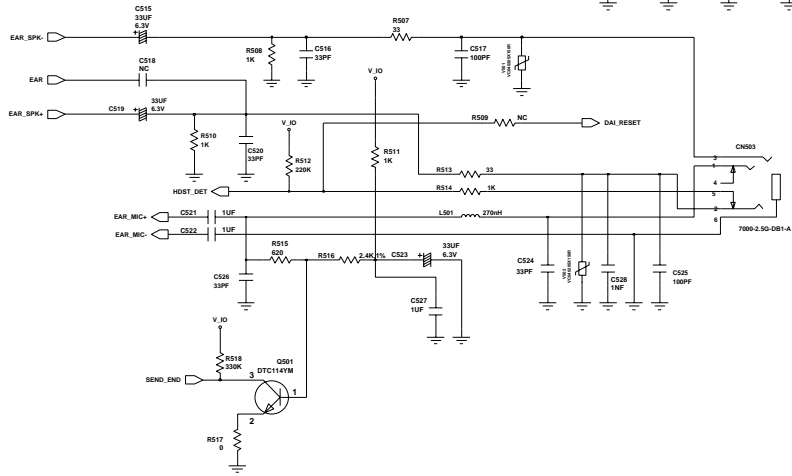
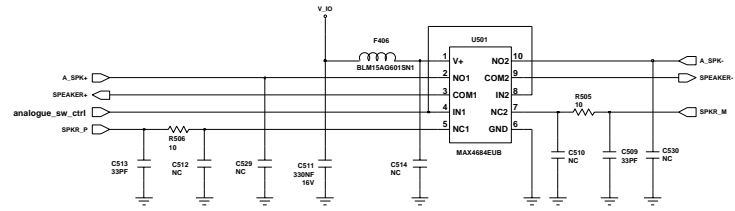


Engineer	COMPANY NAME	Size
Drawn by	Address	A5
RAJ CHK	City	
DOC CTRL CHK	TITLE:	
INFO ENGR CHK		
	<b>SGH-P510</b>	



MIC\_CON



Engineer used	COMPANY NAME	Address	City
Drawn by			
REV CHK	TITLE:	Sheet	
DOC CTRL CHK		AS	
MFG ENDR CHK	<b>SGH-P510</b>		





