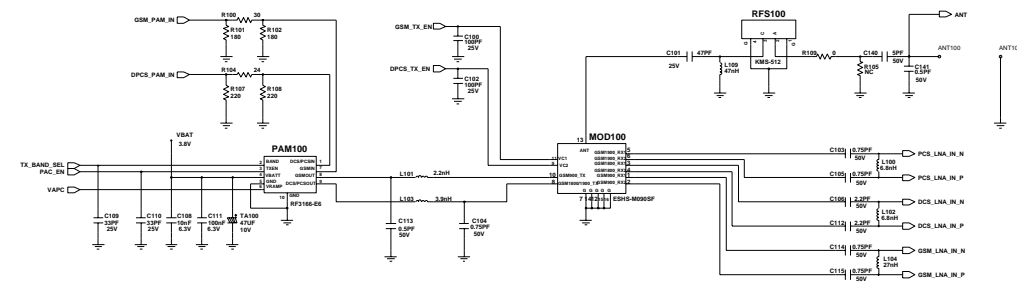
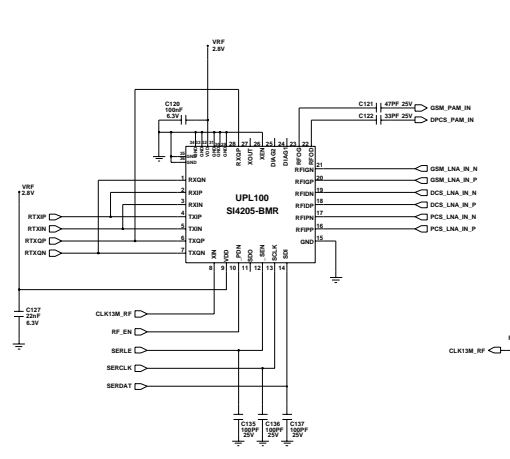


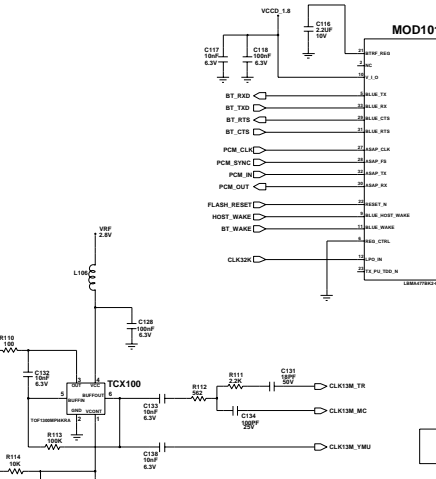
RF PART



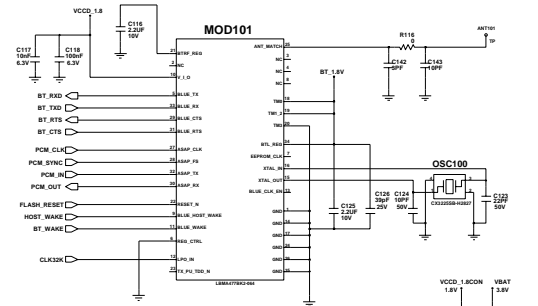
PA & ANTENNA MODULE



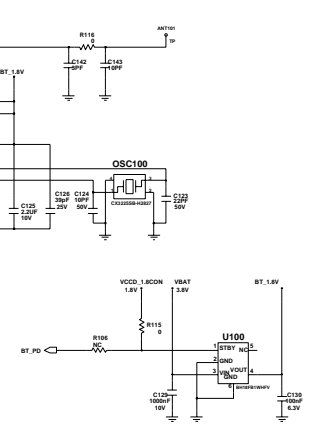
RF TRANSCEIVER



OSCILLATOR

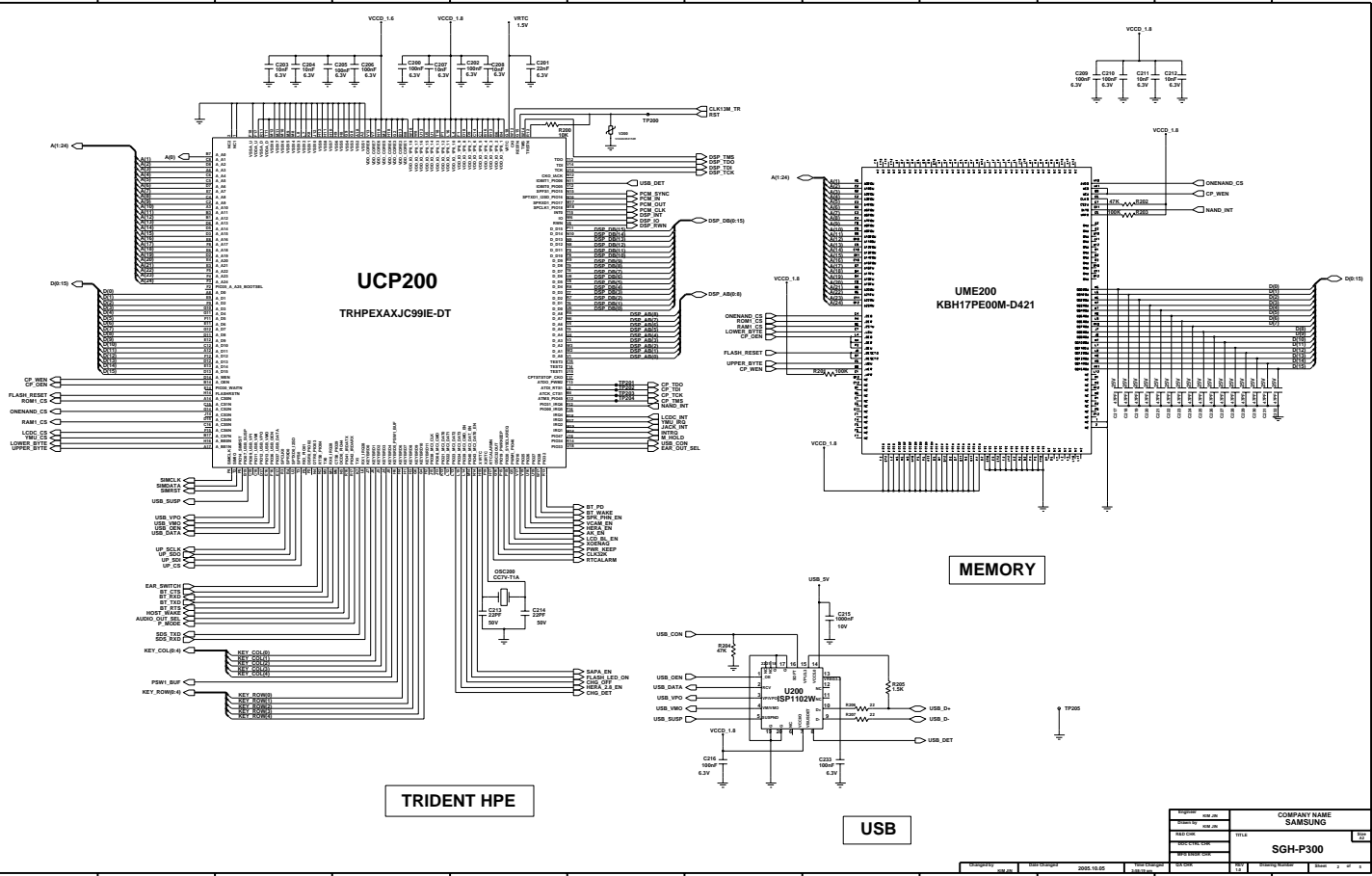


BLUETOOTH



BT REGULATOR

Engineer: SON JIN	COMPANY NAME: SAMSUNG
Design By: SON JIN	TITLE: SGH-P300
DATE: 2005.10.26	REV: 1
DATE: 2005.10.26	REV: 1



UCP200
TRHPEXAJC91E-DT

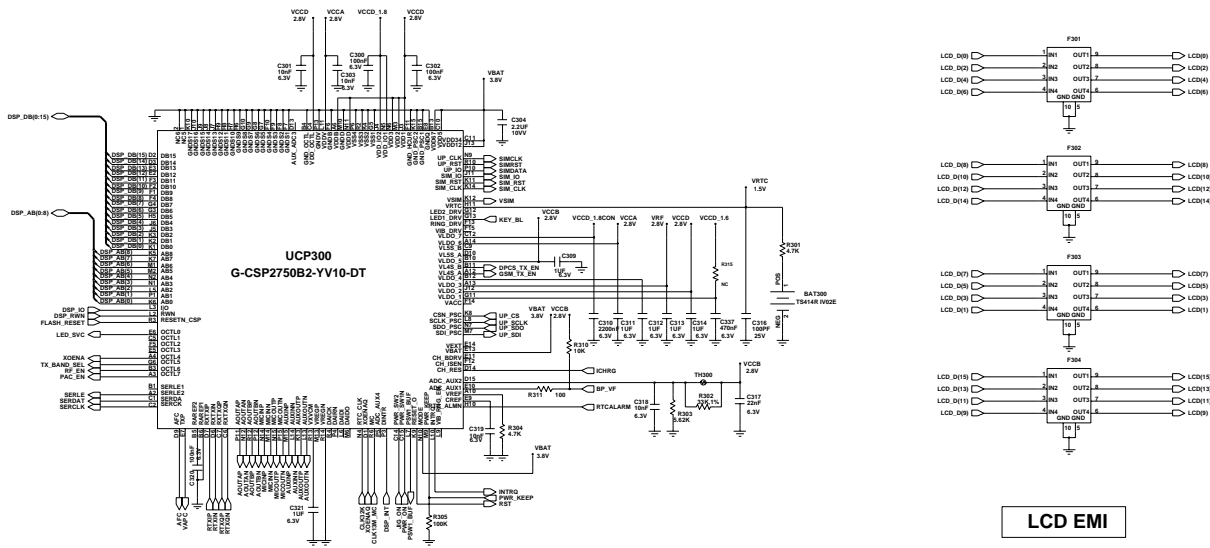
UME200
KBH17PE00M-D421

TRIDENT HPE

MEMORY

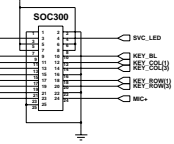
USB

COMPANY NAME	SAMSUNG
MODEL NO.	SGH-P300
REV. NO.	1.0
DATE	2005-10-05
DESIGNER	
CHECKER	
APPROVER	
DATE	
DESIGN NO.	
REV. NO.	
DATE	
DESIGNER	
CHECKER	
APPROVER	
DATE	

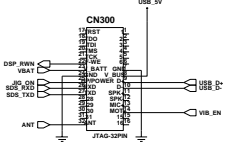


CSP

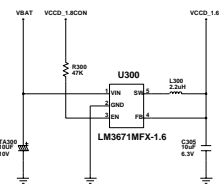
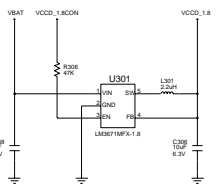
LCD EMI



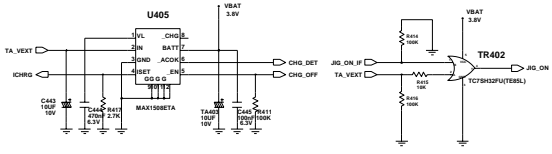
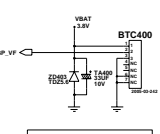
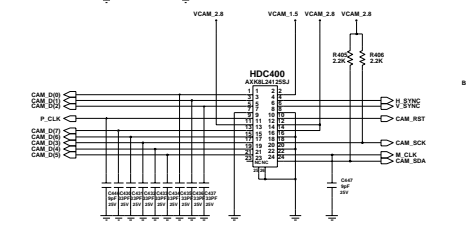
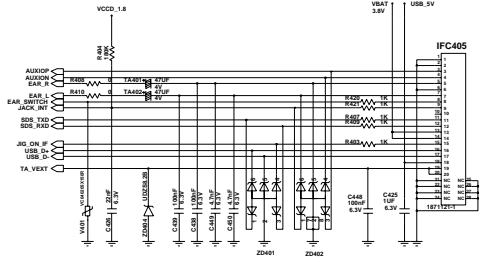
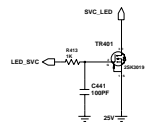
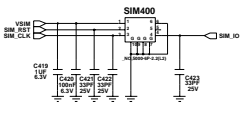
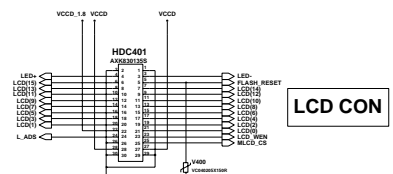
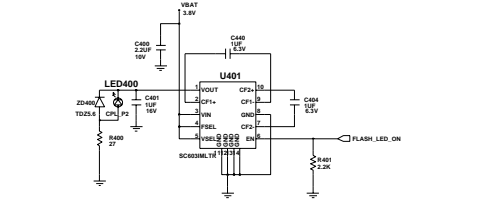
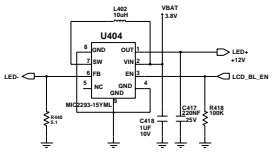
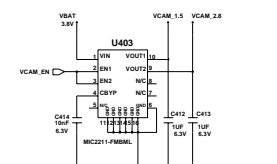
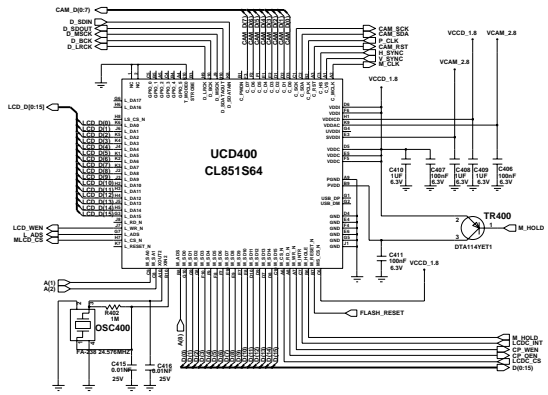
KEY CON



JTAG

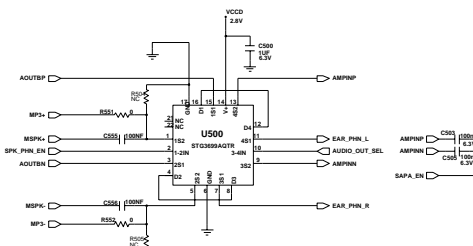


Engineer	REV 01	COMPANY NAME	SAMSUNG
Drawn by	REV 01	TITLE	SGH-P300
Check by			
Approved by			
DATE	2005.10.06	DATE	2005.10.06
DRW NO.	1/1	ISSUE NO.	1
ISSUE NO.	1	ISSUE NO.	1

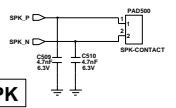
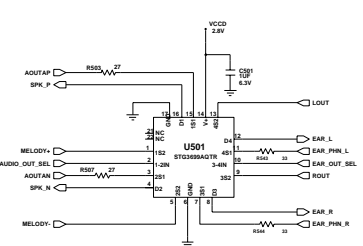


ENGINEER	ALIAS	COMPANY NAME	SAMSUNG
DESIGNER	SHIN	TITLE	
REVISION			
APPROVED			
DATE			
		SGH-P300	

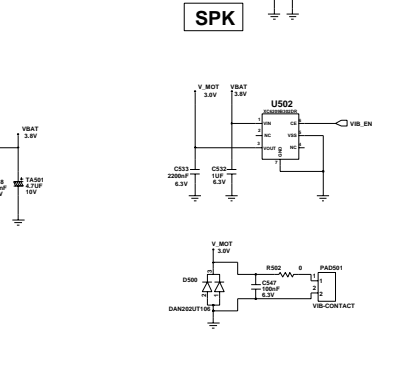
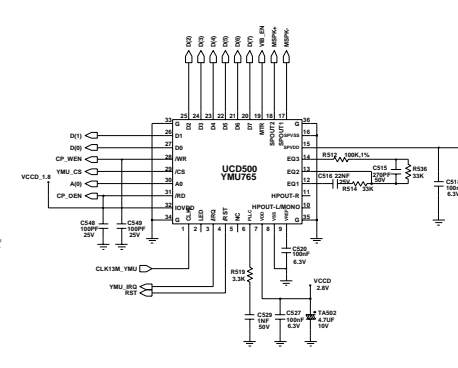
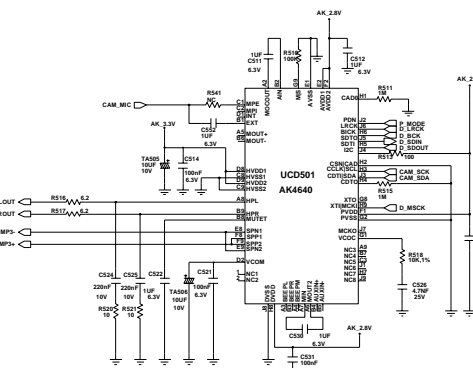
CHARGING



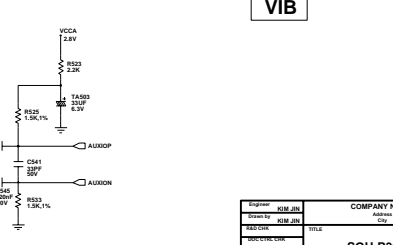
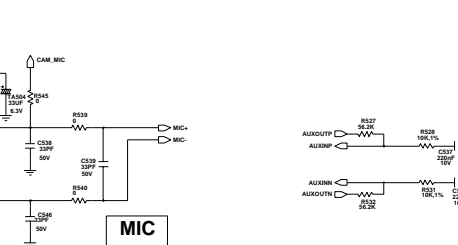
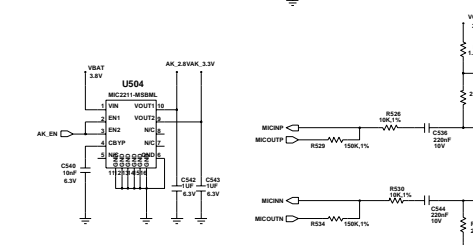
AUDIO SW / AMP



SPK

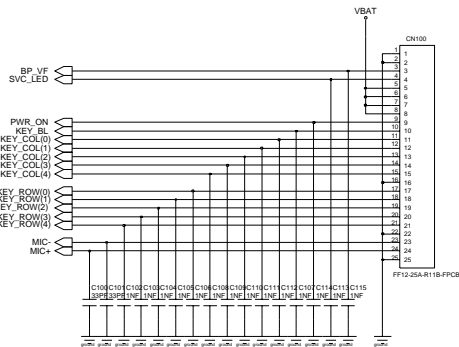


VIB

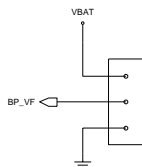


MIC

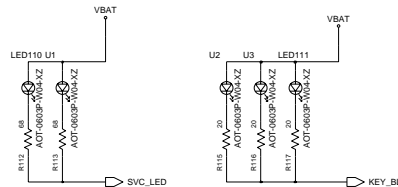
Engineer: JOH JOH	COMPANY NAME:
Drawn by: AND AND	Address:
Rev: 01	City:
DATE: 2005-10-08	PROJECT NAME:
DATE: 2005-10-08	SGH-P300
DR: JOH	DATE: 2005-10-08
DATE: 2005-10-08	DATE: 2005-10-08
DATE: 2005-10-08	DATE: 2005-10-08



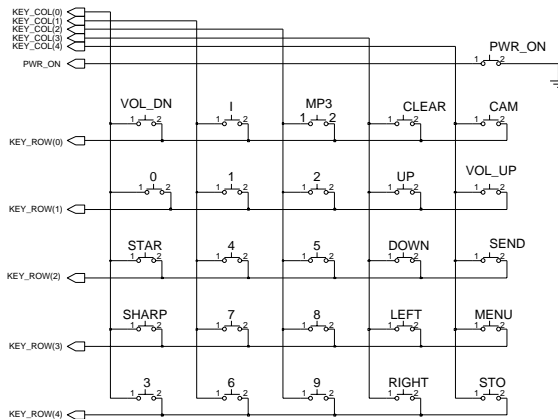
MIC



BAT_CON



LED



KEYPAD

Engineer user2	COMPANY NAME	
Drawn by user2	Address	City
Checked by RBT/CHK	TITLE:	
DWG. CTRL. CHK	SGH-P300 KEY	
MFG. ENGR. CHK		
QA CHK	REV. C/A	Sheet: 1

