





DUAL BAND Mobile Cellular Phone SGH-N500

SERVICE Manual

DUAL BAND MOBILE CELLULAR PHONE



CONTENTS

1. Exploded Views and Parts List
2. PCB Diagrams
3. Electrical Parts List
4. Block Diagrams
5. Flow Chart of Troubleshooting and Circuit Diagrams

1. Exploded Views and Parts List

- 1-1 Main
- 1-2 Main Parts List
- 1-3 Travel Adapter
- 1-4 Travel Adapter Parts List
- 1-5 Ciger Light Adapter
- 1-6 Ciger Light Adapter Parts List
- 1-7 Test Jig
- 1-8 EAR Microphone
- 1-9 Data Kit
- 1-10 Battery Charger

2. PCB Diagrams

- 2-1 Main Top
- 2-2 Main Bottom

3. Electrical Parts List

- 3-1 Main Parts List Top
- 3-2 Main Parts List Bottom

4. Block Diagrams

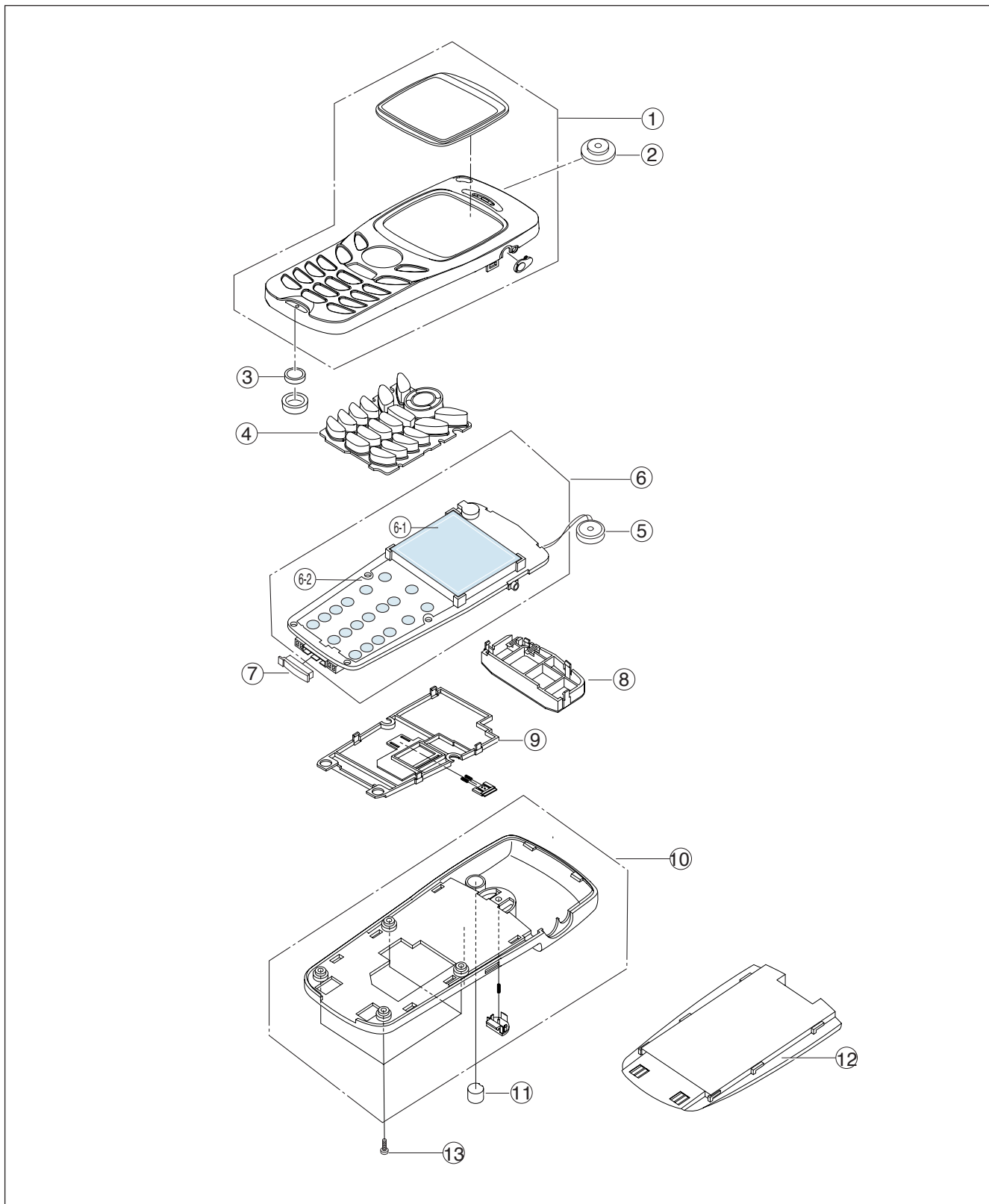
- 4-1 Main Baseband
- 4-2 Main RF
 - 4-2-1 RF Transmit Part
 - 4-2-2 RF Receive Part

5. Flow Chart of Troubleshooting and Circuit Diagrams

- 5-1 Power ON
 - 5-2 Initial
 - 5-3 Charging Part
 - 5-4 Sim Part
 - 5-5 Microphone Part
 - 5-6 Speaker Part
 - 5-7 Key Data Input
 - 5-8 Alert Tone
 - 5-9 Ring Indicator
 - 5-10 Back Light
 - 5-11 GSM Receiver
 - 5-12 GSM Transmitter
 - 5-13 DCS Receiver
 - 5-14 DCS Transmitter
-

1. SGH-N500 Exploded Views and Parts List

1-1 Main



1-2 Main Parts List

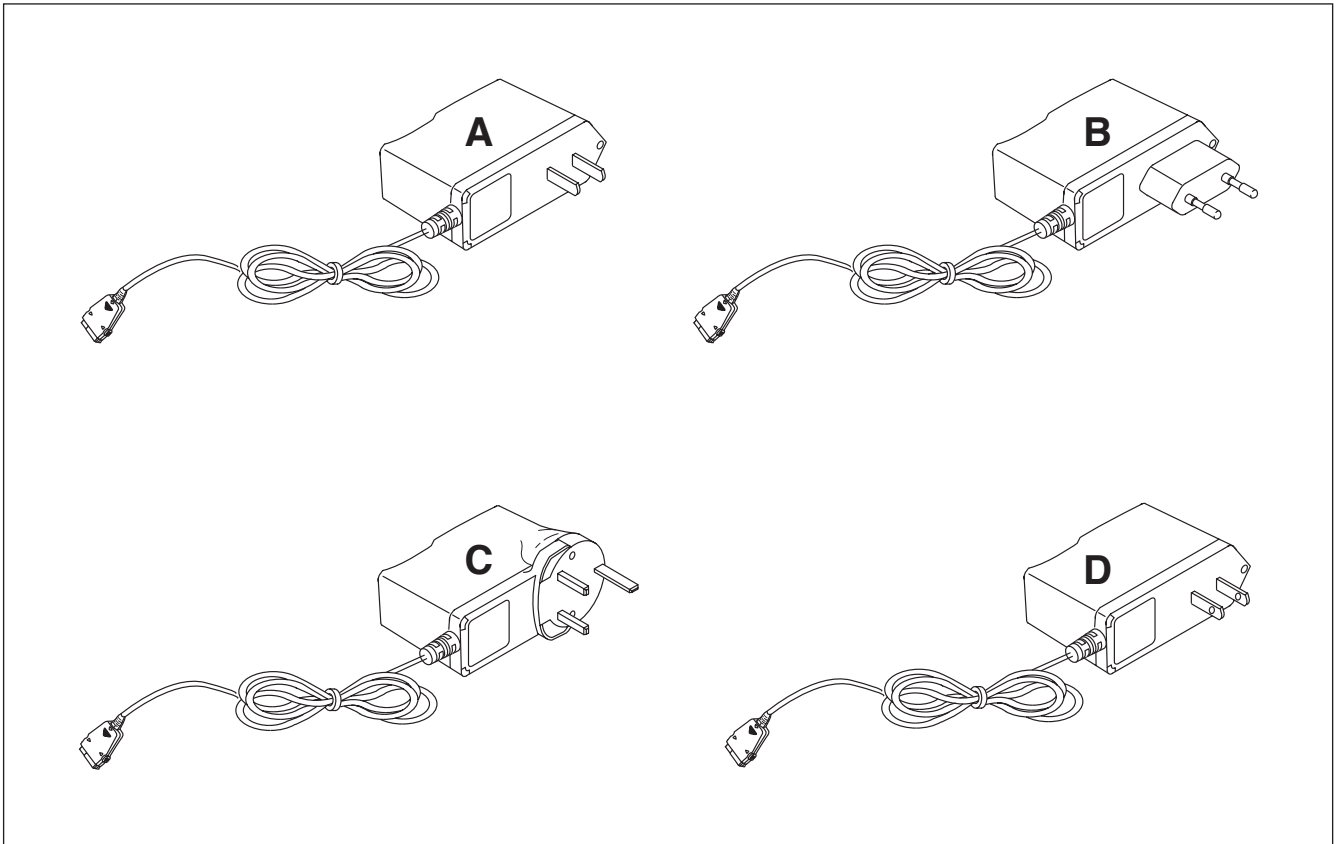
1-2-1 the Continent of Europe

No.	Description	SEC Code				Remark
		UK Silver	Black	Navy Blue	Dark Gray	
1	FRONT COVER	GH75-01413A	GH75-01413B	GH75-01413C	GH75-01413D	
2	SPEAKER	3001-001233	3001-001233	3001-001233	3001-001233	
3	MIC	GH59-00240B	GH59-00240B	GH59-00240B	GH59-00240B	
4	MEC-KEYPAD	GH75-01415A	GH75-01415A	GH75-01415A	GH75-01415A	
5	VIBRATOR	GH31-00038A	GH31-00038A	GH31-00038A	GH31-00038A	
6	MAIN PBA	GH92-01271A	GH92-01271A	GH92-01271A	GH92-01271A	
	6-1 DISPLAY LCD	GH07-00139A	GH07-00139A	GH07-00139A	GH07-00139A	
	6-2 DOME SHEET	GH72-03882A	GH72-03882A	GH72-03882A	GH72-03882A	
7	I/F COVER	GH73-00758A	GH73-00758J	GH73-00758C	GH73-00758C	
8	ANTENNA	GH42-00163A	GH42-00163A	GH42-00163A	GH42-00163A	
9	MEC-SHIELD-COVER	GH75-01551A	GH75-01551B	GH75-01551B	GH75-01551B	
10	MEC-REAR COVER	GH75-01469A	GH75-01469B	GH75-01469C	GH75-01469D	
11	R/F COVER	GH73-00886A	GH73-00886B	GH73-00886C	GH73-00886D	
12	BATTERY	GH43-00463A	GH43-00463D	GH43-00463C	GH43-00463B	
13	SCREW	6001-001346	6001-001346	6001-001346	6001-001346	

1-2-2 the Continent of Asia

No.	Description	SEC Code			Remark
		Dark Silver	Fine Gold	Warm Silver	
1	MEC-FRONT-ASSY	GH75-01413E	GH75-01413F	GH75-01413G	
2	SPEAKER	3001-001233	3001-001233	3001-001233	
3	MIC	GH59-00240B	GH59-00240B	GH59-00240B	
4	MEC-KEYPAD	GH75-01415A	GH75-01415A	GH75-01415A	
5	VIBRATOR	GH31-00038A	GH31-00038A	GH31-00038A	
6	MAIN PBA	GH92-01271A	GH92-01271A	GH92-01271A	
	6-1 DISPLAY LCD	GH07-00139A	GH07-00139A	GH07-00139A	
	6-2 DOME SHEET	GH72-03882A	GH72-03882A	GH72-03882A	
7	I/F COVER	GH73-00758A	GH73-00758E	GH73-00758A	
8	ANTENNA	GH42-00163A	GH42-00163A	GH42-00163A	
9	MEC-SHIELD-COVER	GH75-01551E	GH75-01551F	GH75-01551G	
10	MEC-REAR COVER	GH75-01469A	GH75-01469B	GH75-01469C	
11	R/F COVER	GH73-00886A	GH73-00886B	GH73-00886C	
12	BATTERY	GH43-00463E	GH43-00463F	GH43-00463G	
13	SCREW	6001-001346	6001-001346	6001-001346	

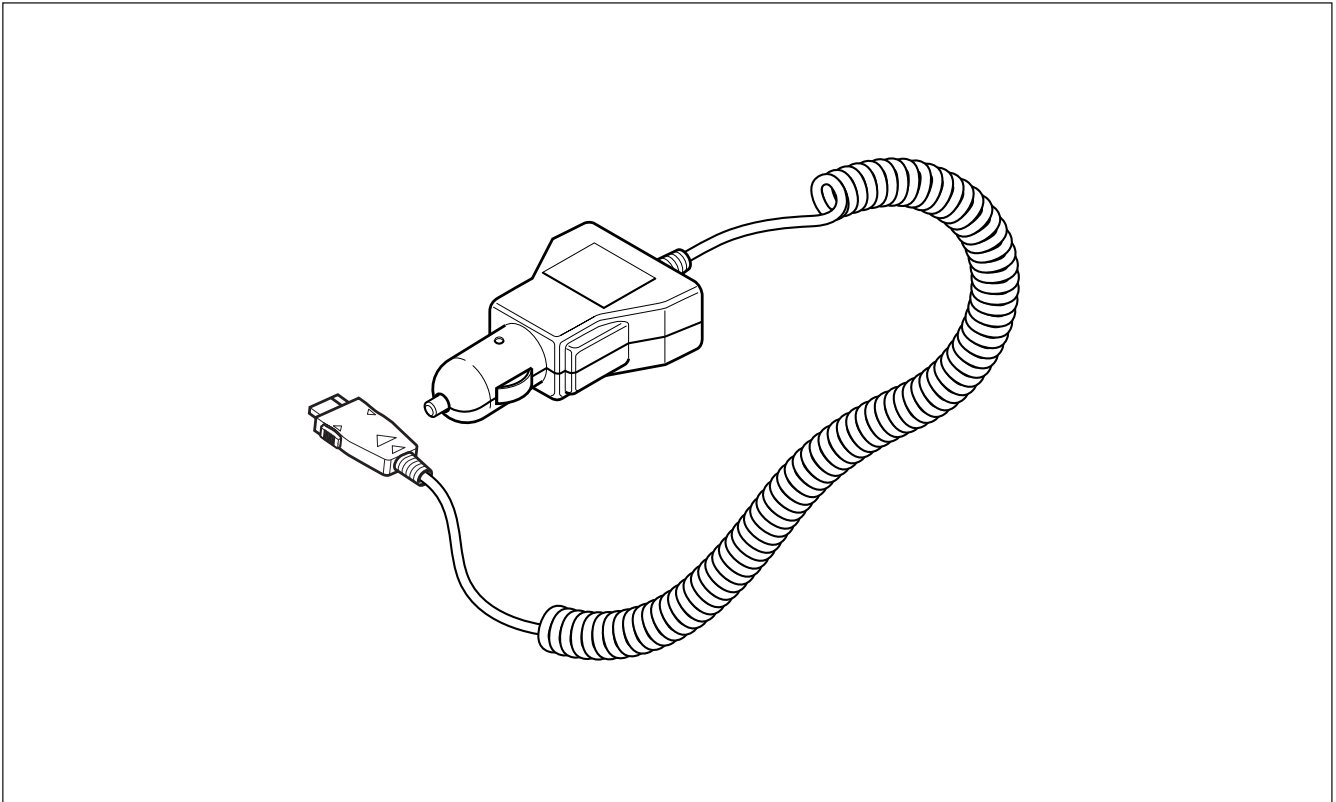
1-3 Travel Adapter



1-4 Travel Adapter Parts List

TYPE	SEC CODE	REMARK
A	GH44-00171A	CHINA
B	GH44-00184A	EUROPE
C	GH44-00171C	UNITED KINGDOM
D	Gh44-00171E	TAIWAN

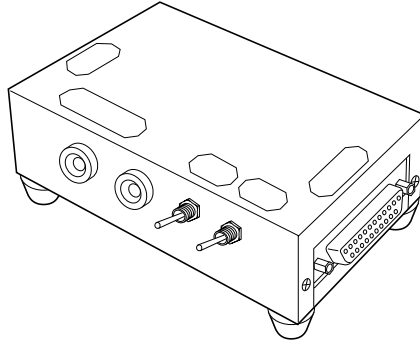
1-5 Ciger Light Adapter



1-6 Ciger Light Adapter Parts List

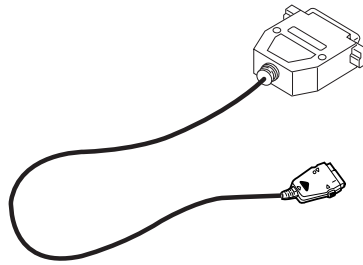
DESCRIPTION	SEC CODE	REMARK
Ciger Light Adapter Code	GH44-00170A	BLACK

1-7 Test Jig



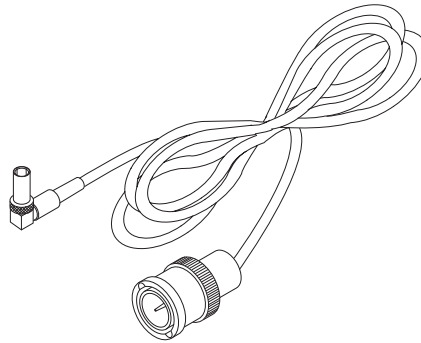
TEST JIG

GH80-10508A



TEST JIG CABLE

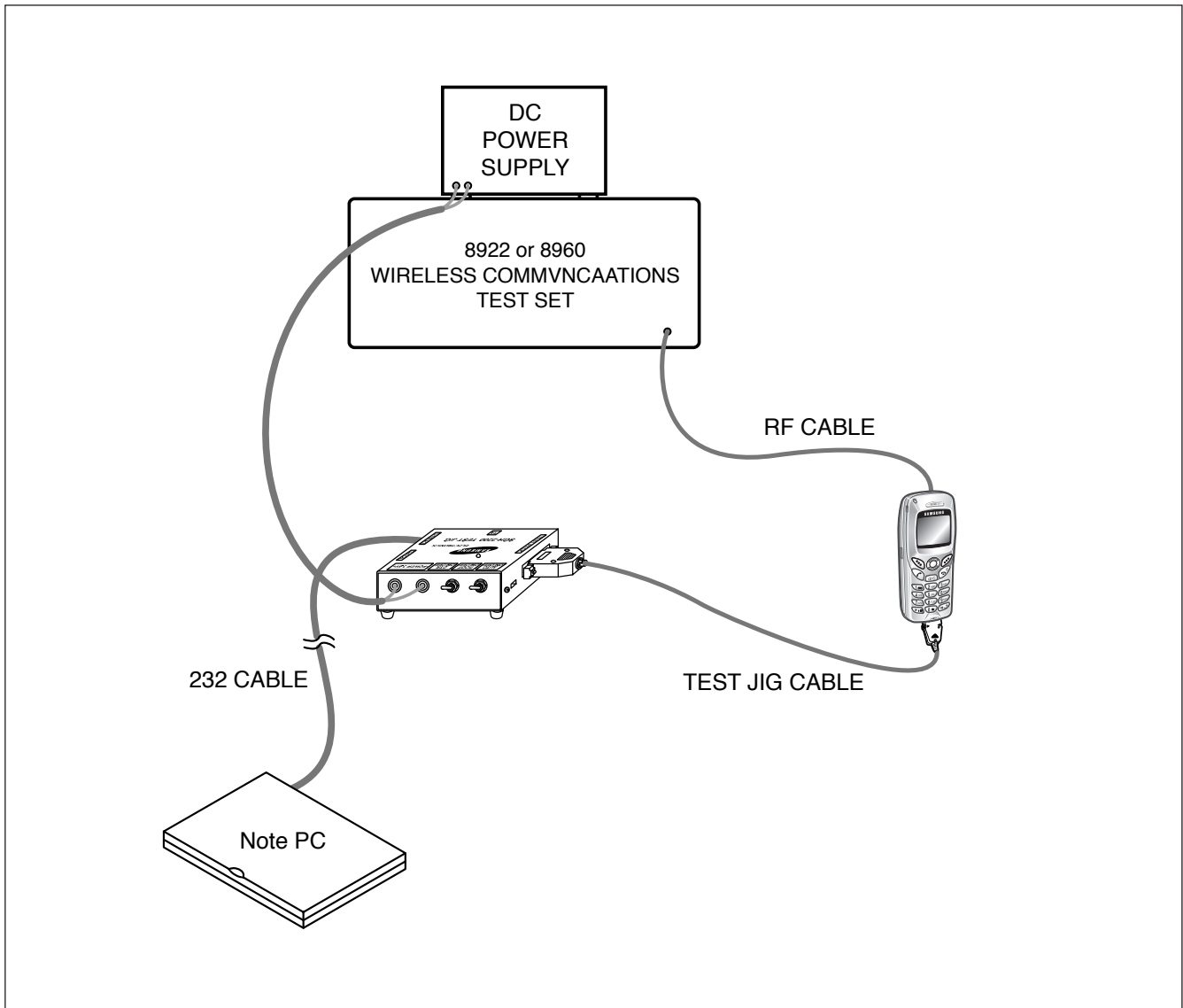
GH39-00079A



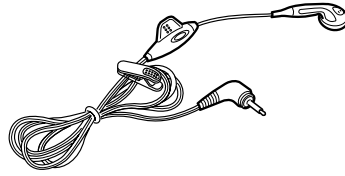
RF CABLE

GH39-00135A

1-7-1 Test Jig



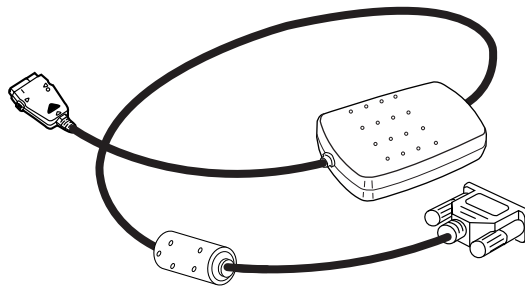
1-8 EAR Microphone



EAR MICROPHONE

GH59-00168A

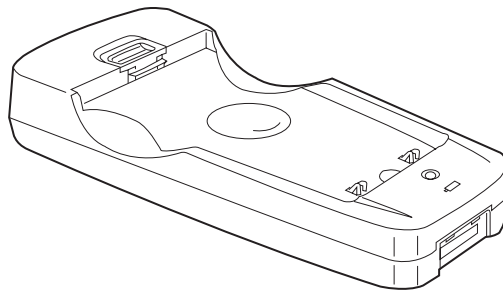
1-9 Data Kit



DATA KIT

GH39-00078A

1-10 Battery Charger

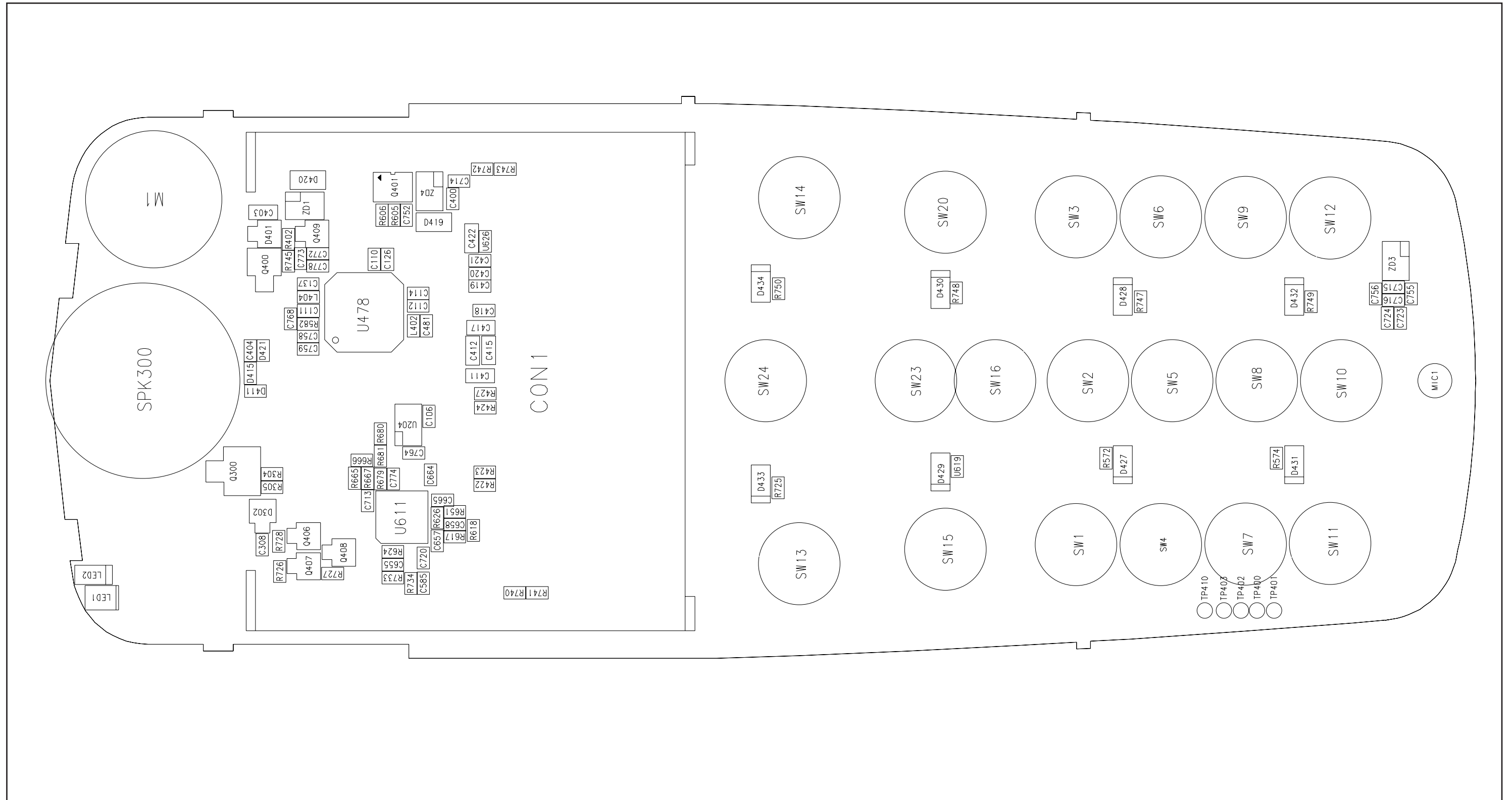


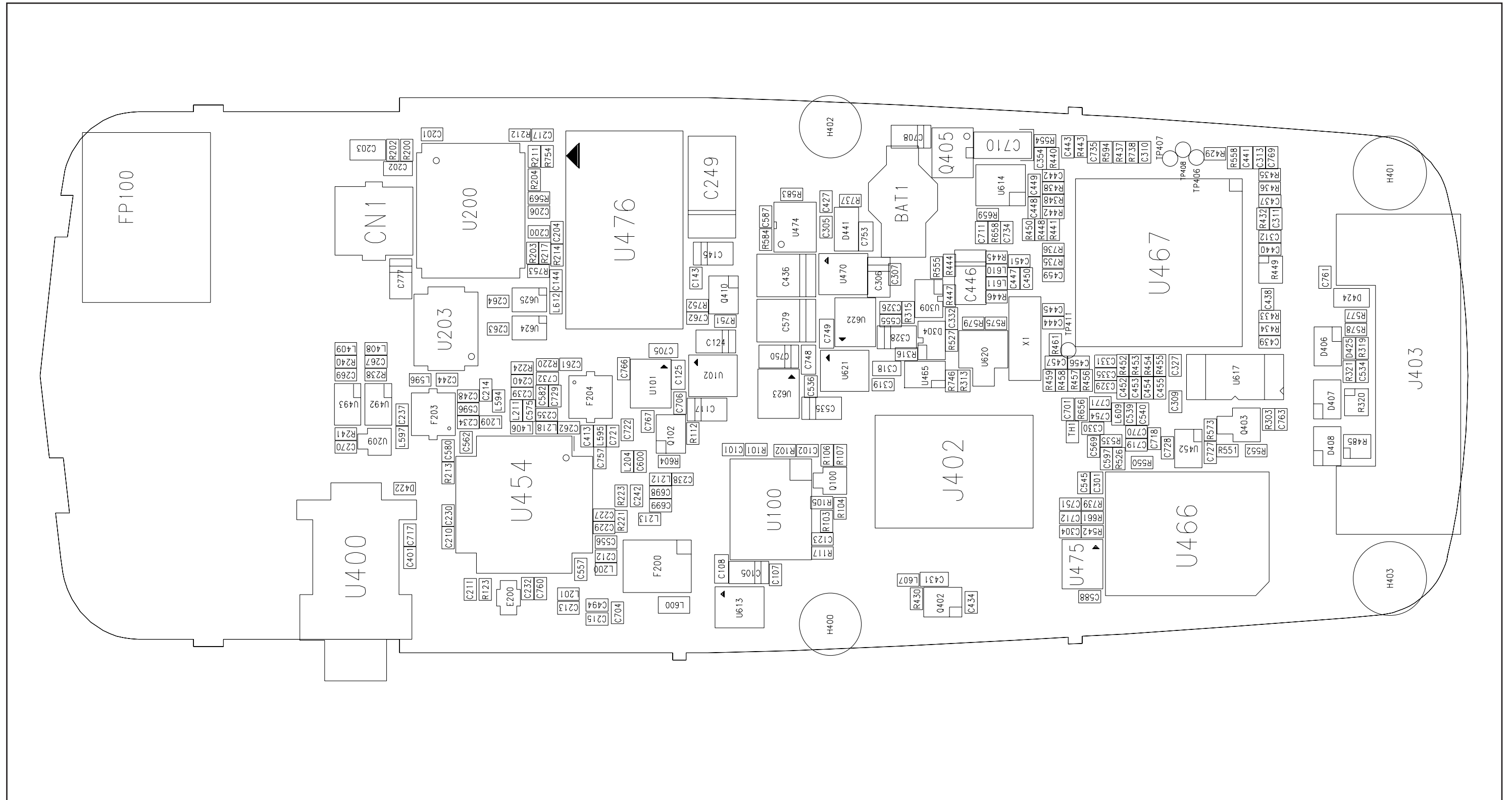
BATTERY CHAGER

GH44-00177A

2. PCB Diagrams

2-1 Main Top





3. Electrical Parts List

3-1 Main Parts List Top

NO	SEC CODE	Reference	Part Description	Vendor Part No.
1	0601-001402	LED1	CHIP,RED/Y-GRN,1.2x1.5mm,660/570nm	CL-165HR/YG-D
2	0601-001547	LED2	CHIP,BLUE,1.1X0.8MM,468NM	SLS-NNBL102TS
3	0501-002011	Q300	2SD2114K,NPN,200mW,SOT-23,TP,8	2SD2114KT146V
4	0407-001002	D302	DAN222,80V,300mA,CA2-3,EM3,TP	DAN222TL
5	0407-001002	D401	DAN222,80V,300mA,CA2-3,EM3,TP	DAN222TL
6	2203-005061	C106	100nF,+80-20%,16V,Y5V,TP,1005	CM05Y5V104Z16AH
7	2203-005061	C418	100nF,+80-20%,16V,Y5V,TP,1005	CM05Y5V104Z16AH
8	2203-005061	C419	100nF,+80-20%,16V,Y5V,TP,1005	CM05Y5V104Z16AH
9	2203-005061	C420	100nF,+80-20%,16V,Y5V,TP,1005	CM05Y5V104Z16AH
10	2203-005061	C421	100nF,+80-20%,16V,Y5V,TP,1005	CM05Y5V104Z16AH
11	2203-005061	C308	100nF,+80-20%,16V,Y5V,TP,1005	CM05Y5V104Z16AH
12	0406-001083	ZD1	-.6.1/-7.2V,150W,SOT-323-5L	ESDA6V1W5
13	1405-001116	D411	23.5V,10A,1X0.5X0.6MM,TP	SIOV-CT0402L14G
14	2203-000233	D415	0.1nF,5%,50V,NP0,TP,1005	CM05CG101J50AH
15	2203-000233	C778	0.1nF,5%,50V,NP0,TP,1005	CM05CG101J50AH
16	2203-000679	C772	0.027nF,5%,50V,NP0,TP,1005	CM05CG270J50AH
17	2203-000679	C773	0.027nF,5%,50V,NP0,TP,1005	CM05CG270J50AH
18	2203-005444	C404	0.003nF,0.1pF,50V,NP0,TP,1005	CL05C030BBNC
19	1405-001093	D421	14V,20A,1x0.5x0.6mm,TP	VC040214X300
20	2203-000236	D420	0.1nF,5%,50V,NP0,TP,1608	CL10C101JBNC
21	2203-000236	D419	0.1nF,5%,50V,NP0,TP,1608	CL10C101JBNC
22	2007-001292	R727	33ohm,5%,1/16W,DA,TP,1005	MCR01MZSJ330
23	0504-001012	Q408	DTC114YE,NPN,150MW,10K/47K,EMT3,TP	DTC114YE
24	2203-000679	C758	0.027nF,5%,50V,NP0,TP,1005	CM05CG270J50AH
25	2203-000679	C759	0.027nF,5%,50V,NP0,TP,1005	CM05CG270J50AH
26	2007-000148	R582	10Kohm,5%,1/16W,DA,TP,1005	RC1005J103CS
27	2203-000585	C110	220pF,10%,50V,X7R,TP,1005,-	CM05X7R221K50AH
28	2203-000585	C111	220pF,10%,50V,X7R,TP,1005,-	CM05X7R221K50AH
29	2203-000585	C112	220pF,10%,50V,X7R,TP,1005,-	CM05X7R221K50AH
30	2203-000585	C114	220pF,10%,50V,X7R,TP,1005,-	CM05X7R221K50AH
31	0501-000162	Q400	2SA1576,PNP,200MW,SOT-323,TP,180-390	STA1576G
32	2203-005065	C403	1000nF,+80-20%,10V,Y5V,TP,1608	CL10F105ZONC
33	2203-005065	C411	1000nF,+80-20%,10V,Y5V,TP,1608	CL10F105ZONC
34	2203-005065	C412	1000nF,+80-20%,10V,Y5V,TP,1608	CL10F105ZONC
35	2203-005065	C415	1000nF,+80-20%,10V,Y5V,TP,1608	CL10F105ZONC
36	2203-005065	C417	1000nF,+80-20%,10V,Y5V,TP,1608	CL10F105ZONC
37	2203-005065	C422	1000nF,+80-20%,10V,Y5V,TP,1608	CL10F105ZONC
38	2703-002208	L402	2.2NH,0.3NH,1.0X0.5X0.5MM	CIH05T2N2SNC

NO	SEC CODE	Reference	Part Description	Vendor Part No.
39	0504-000167	Q409	RN1102,NPN,100MW,10K/10K,SSM,TP	RN1102(TE85R)
40	2703-002198	L404	10NH,5%,1.0X0.5X0.5MM	CIH05T10NJNC
41	2203-002525	C137	0.56nF,10%,50V,X7R,TP,1005	CM05X7R561K50AH
42	2203-000438	C126	1nF,10%,50V,X7R,TP,1005,-	CM05X7R102K50AH
43	2703-002208	L402	2.2NH,0.3NH,1.0X0.5X0.5MM	CIH05T2N2SNC
44	2203-002525	C481	0.56nF,10%,50V,X7R,TP,1005	CL05B561KBNC
45	1209-001337	U478	SI4133G-XM2R,LCC,28P,-,-,3.6V,-,-40to+85C,TP	SI4133GXM2R
46	2007-000162	R606	100Kohm,5%,1/16W,DA,TP,1005	RC1005J104CS
47	2007-000162	R605	100Kohm,5%,1/16W,DA,TP,1005	RC1005J104CS
48	2203-005482	C752	100nF,10%,10V,X5R,TP,1005,-	GRM36X5R104K10PT
49	0505-001332	Q401	FDG6301,N,25V,0.22A,4OHM,.3W,SC70-6	FDG6301N
50	2203-000236	D419	0.1nF,5%,50V,NP0,TP,1608	CL10C101JBNC
51	0601-001547	D428	CHIP,BLUE,1.1X0.8MM,468NM	SLS-NNBL102TS
52	0601-001611	D429	CHIP,WHT,1.1X0.8MM,-	SLS-NNWH102TS
53	0601-001611	D430	CHIP,WHT,1.1X0.8MM,-	SLS-NNWH102TS
54	0601-001547	D432	CHIP,BLUE,1.1X0.8MM,468NM	SLS-NNBL102TS
55	0601-001611	D433	CHIP,WHT,1.1X0.8MM,-	SLS-NNWH102TS
56	0601-001611	D434	CHIP,WHT,1.1X0.8MM,-	SLS-NNWH102TS
57	0601-001547	D427	CHIP,BLUE,1.1X0.8MM,468NM	SLS-NNBL102TS
58	0601-001547	D431	CHIP,BLUE,1.1X0.8MM,468NM	SLS-NNBL102TS
59	2007-000139	R572	220ohm,5%,1/16W,DA,TP,1005	RC1005J221CS
60	2007-000139	R574	220ohm,5%,1/16W,DA,TP,1005	RC1005J221CS
61	2007-000139	R725	220ohm,5%,1/16W,DA,TP,1005	RC1005J221CS
62	2007-000172	R742	10ohm,5%,1/16W,DA,TP,1005	RC1005J100CS
63	2007-000172	R743	10ohm,5%,1/16W,DA,TP,1005	RC1005J100CS
64	2007-007015	R745	13KOHM,5%,1/16W,DA,TP,1005	RC1005J133CS
65	2007-000139	R747	220ohm,5%,1/16W,DA,TP,1005	RC1005J221CS
66	2007-000139	R748	220ohm,5%,1/16W,DA,TP,1005	RC1005J221CS
67	2007-000139	R749	220ohm,5%,1/16W,DA,TP,1005	RC1005J221CS
68	2007-000139	R750	220ohm,5%,1/16W,DA,TP,1005	RC1005J221CS
69	2007-000162	R422	100Kohm,5%,1/16W,DA,TP,1005	RC1005J104CS
70	2007-000162	R423	100Kohm,5%,1/16W,DA,TP,1005	RC1005J104CS
71	2007-000148	R424	10Kohm,5%,1/16W,DA,TP,1005	RC1005J103CS
72	2007-000148	R427	10Kohm,5%,1/16W,DA,TP,1005	RC1005J103CS
73	2007-001320	R624	1.8Kohm,5%,1/16W,DA,TP,1005	RC1005J182CS
74	2007-001217	R665	82ohm,5%,1/16W,DA,TP,1005	RC1005J820CS
75	2007-001217	R666	82ohm,5%,1/16W,DA,TP,1005	RC1005J820CS
76	2007-001305	R667	120ohm,5%,1/16W,DA,TP,1005	RC1005J121CS
77	2007-001301	R679	68ohm,5%,1/16W,DA,TP,1005	RC1005J680CS
78	2007-001301	R680	68ohm,5%,1/16W,DA,TP,1005	RC1005J680CS
79	2007-001306	R681	150ohm,5%,1/16W,DA,TP,1005	RC1005J151CS
80	2007-007142	R617	10Kohm,1%,1/16W,DA,TP,1005	ERJ2RKF103X

NO	SEC CODE	Reference	Part Description	Vendor Part No.
81	2007-007142	R618	10Kohm,1%,1/16W,DA,TP,1005	ERJ2RKF103
82	2007-000148	R651	10Kohm,5%,1/16W,DA,TP,1005	RC1005J103CS
83	2007-007311	R626	22Kohm,1%,1/16W,DA,TP,1005	ERJ2RKF2202X
84	2007-007771	R733	0OHM,5%,1/16W,DA,TP,1005	RC1005J000CS
85	2203-000654	C585	270pF,10%,50V,X7R,TP,1005,-	CM05X7R271K50AH
86	2203-005503	C655	0.18nF,5%,25V,NP0,TP,1005	CL05C181JANC
87	2203-000679	C665	0.027nF,5%,50V,NP0,TP,1005	CM05CG270J50AH
88	2203-000311	C657	0.12nF,5%,50V,NP0,TP,1005	CM05CG121J50AH
89	2203-000995	C713	0.047nF,5%,50V,NP0,TP,1005	CM05CG470J50AH
90	2203-000679	C714	0.027nF,5%,50V,NP0,TP,1005	CM05CG270J50AH
91	2203-000438	C720	1nF,10%,50V,X7R,TP,1005,-	CM05X7R102K50AH
92	2007-000172	R740	10ohm,5%,1/16W,DA,TP,1005	RC1005J100CS
93	2007-000172	R741	10ohm,5%,1/16W,DA,TP,1005	RC1005J100CS
94	2007-000142	R402	2.7Kohm,5%,1/16W,DA,TP,1005	RC1005J272CS
95	2203-000812	C664	0.033nF,5%,50V,NP0,TP,1005	CM05CG330J50AH
96	2203-000679	C764	0.027nF,5%,50V,NP0,TP,1005	CM05CG270J50AH
97	2203-000679	C774	0.027nF,5%,50V,NP0,TP,1005	CM05CG270J50AH
98	2203-000330	C400	0.012nF,5%,50V,NP0,TP,1005	CM05CG120J50AH
99	1209-001379	U611	HD155173ANPEL,-,16P,-,-,3.4V,240MW,-25TO+85C,TP	HD155173ANP
100	0504-001058	U204	RN4985,NPN/PNP,200mW,2.2Kohm/47Kohm,UMD6,TP	RN4985(TE85L)
101	0406-001083	ZD4	-.6.1/-/7.2V,150W,SOT-323-5L	ESDA6V1W5
102	2203-001101	U626	6.8nF,10%,25V,X7R,TP,1005,-	CM05X7R682K25AH
103	2203-002668	C715	0.0005nF,0.1pF,50V,NP0,TP,1005	C1005C0G1H0R5BT
104	2203-005552	C716	0.0022nF,0.1pF,50V,NP0,TP,1005	C1005C0G1H2R2BT
105	0406-001083	ZD3	-.6.1/-/7.2V,150W,SOT-323-5L	ESDA6V1W5

3-2 Main Parts List Bottom

NO	SEC CODE	Reference	Part Description	Vendor Part No.
1	4302-001119	BAT1	3V,0.1MAH,-,-,3.1V,-	RB414II06N
2	2203-000254	C101	10nF,10%,16V,X7R,TP,1005,-	CM05X7R103K16AH
3	2203-000254	C102	10nF,10%,16V,X7R,TP,1005,-	CM05X7R103K16AH
4	2404-001105	C105	10UF,20%,6.3V,GP,TP,2012	TCSCS0J106MPAR
5	2203-005061	C107	100nF,+80-20%,16V,Y5V,TP,1005	CM05Y5V104Z16AH
6	2203-005065	C108	1000nF,+80-20%,10V,Y5V,TP,1608	CL10F105ZONC
7	2404-001286	C117	10UF,20%,10V,-,TP,2015	TAJU106M010RNJ
8	2203-000254	C123	10nF,10%,16V,X7R,TP,1005,-	CM05X7R103K16AH
9	2404-001286	C124	10UF,20%,10V,-,TP,2015	TAJU106M010RNJ
10	2203-005065	C125	1000nF,+80-20%,10V,Y5V,TP,1608	CL10F105ZONC
11	2203-000812	C143	0.033nF,5%,50V,NP0,TP,1005	CM05CG330J50AH
12	2203-000233	C144	0.1nF,5%,50V,NP0,TP,1005	CM05CG101J50AH
13	2404-001105	C145	10UF,20%,6.3V,GP,TP,2012	TCSCS0J106MPAR
14	2203-000679	C200	0.027nF,5%,50V,NP0,TP,1005	CM05CG270J50AH
15	2203-000950	C202	0.47nF,5%,50V,NP0,TP,1608	CL10C471JBNC
16	2203-000609	C203	22nF,10%,50V,X7R,TP,2012	CL21B223KBNC
17	2203-000995	C204	0.047nF,5%,50V,NP0,TP,1005	CM05CG470J50AH
18	2203-000278	C206	0.01nF,0.5pF,50V,NP0,TP,1005	CM05CG100D50AH
19	2203-000254	C210	10nF,10%,16V,X7R,TP,1005,-	CM05X7R103K16AH
20	2203-000438	C211	1nF,10%,50V,X7R,TP,1005,-	CM05X7R102K50AH
21	2203-000359	C212	0.15nF,5%,50V,NP0,TP,1005	CM05CG151J50AH
22	2203-001017	C213	0.004nF,0.25pF,50V,NP0,TP,1005	CM05CG4R0C50AH
23	2203-002668	C214	0.0005nF,0.1pF,50V,NP0,TP,1005	C1005C0G1H0R5BT
24	2203-001153	C215	0.068nF,5%,50V,NP0,TP,1005	CM05CG680J50AH
25	2203-000628	C217	0.022nF,5%,50V,NP0,TP,1005	CM05CG220J50AH
26	2203-000438	C227	1nF,10%,50V,X7R,TP,1005,-	CM05X7R102K50AH
27	2203-000438	C229	1nF,10%,50V,X7R,TP,1005,-	CM05X7R102K50AH
28	2203-000438	C230	1nF,10%,50V,X7R,TP,1005,-	CM05X7R102K50AH
29	2203-000679	C232	0.027nF,5%,50V,NP0,TP,1005	CM05CG270J50AH
30	2203-000812	C234	0.033nF,5%,50V,NP0,TP,1005	CM05CG330J50AH
31	2203-000386	C235	0.015nF,5%,50V,NP0,TP,1005	CM05CG150J50AH
32	2203-000628	C237	0.022nF,5%,50V,NP0,TP,1005	CM05CG220J50AH
33	2203-000254	C238	10nF,10%,16V,X7R,TP,1005,-	CM05X7R103K16AH
34	2203-000278	C239	0.01nF,0.5pF,50V,NP0,TP,1005	CM05CG100D50AH
35	2203-000438	C240	1nF,10%,50V,X7R,TP,1005,-	CM05X7R102K50AH
36	2203-005050	C242	0.0018nF,0.25pF,50V,NP0,TP,1005	CM05CG1R8C50AH
37	2203-000854	C244	0.039nF,5%,50V,NP0,TP,1005	CM05CG390J50AH
38	2203-005382	C248	0.006nF,0.1pF,50V,NP0,TP,1005	GRP1555C1H6R0BZ01E
39	2404-001210	C249	220uF,20%,6.3V,LZ,TP,7132	F750J227MUCGZT
40	2203-000438	C261	1nF,10%,50V,X7R,TP,1005,-	CM05X7R102K50AH

NO	SEC CODE	Reference	Part Description	Vendor Part No.
41	2203-000679	C262	0.027nF,5%,50V,NP0,TP,1005	CM05CG270J50AH
42	2203-000812	C263	0.033nF,5%,50V,NP0,TP,1005	CM05CG330J50AH
43	2203-000812	C264	0.033nF,5%,50V,NP0,TP,1005	CM05CG330J50AH
44	2203-000679	C267	0.027nF,5%,50V,NP0,TP,1005	CM05CG270J50AH
45	2203-000679	C269	0.027nF,5%,50V,NP0,TP,1005	CM05CG270J50AH
46	2203-000438	C270	1nF,10%,50V,X7R,TP,1005,-	CM05X7R102K50AH
47	2203-005061	C301	100nF,+80-20%,16V,Y5V,TP,1005	CM05Y5V104Z16AH
48	2203-000233	C305	0.1nF,5%,50V,NP0,TP,1005	CM05CG101J50AH
49	2404-001105	C306	10UF,20%,6.3V,GP,TP,2012	TCSCS0J106MPAR
50	2203-000254	C307	10nF,10%,16V,X7R,TP,1005,-	CM05X7R103K16AH
51	2203-000254	C309	10nF,10%,16V,X7R,TP,1005,-	CM05X7R103K16AH
52	2203-000812	C310	0.033nF,5%,50V,NP0,TP,1005	CM05CG330J50AH
53	2203-000812	C311	0.033nF,5%,50V,NP0,TP,1005	CM05CG330J50AH
54	2203-000812	C312	0.033nF,5%,50V,NP0,TP,1005	CM05CG330J50AH
55	2203-000254	C313	10nF,10%,16V,X7R,TP,1005,-	CM05X7R103K16AH
56	2203-005065	C318	1000nF,+80-20%,10V,Y5V,TP,1608	CL10F105ZONC
57	2203-000254	C319	10nF,10%,16V,X7R,TP,1005,-	CM05X7R103K16AH
58	2203-000254	C326	10nF,10%,16V,X7R,TP,1005,-	CM05X7R103K16AH
59	2203-000812	C327	0.033nF,5%,50V,NP0,TP,1005	CM05CG330J50AH
60	2404-001105	C328	10UF,20%,6.3V,GP,TP,2012	TCSCS0J106MPAR
61	2203-003054	C329	0.009nF,0.25pF,50V,NP0,TP,1005	CM05CG9R0C50AH
62	2203-000812	C330	0.033nF,5%,50V,NP0,TP,1005	CM05CG330J50AH
63	2203-000254	C331	10nF,10%,16V,X7R,TP,1005,-	CM05X7R103K16AH
64	2203-005061	C332	100nF,+80-20%,16V,Y5V,TP,1005	CM05Y5V104Z16AH
65	2203-000254	C335	10nF,10%,16V,X7R,TP,1005,-	CM05X7R103K16AH
66	2203-000254	C354	10nF,10%,16V,X7R,TP,1005,-	CM05X7R103K16AH
67	2203-000330	C401	0.012nF,5%,50V,NP0,TP,1005	CM05CG120J50AH
68	2203-005061	C427	100nF,+80-20%,16V,Y5V,TP,1005	CM05Y5V104Z16AH
69	2203-005065	C431	1000nF,+80-20%,10V,Y5V,TP,1608	CL10F105ZONC
70	2203-000254	C434	10nF,10%,16V,X7R,TP,1005,-	CM05X7R103K16AH
71	2404-001134	C436	100UF,20%,6.3V,LZ,TP,4028	595D107X06R3B2T
72	2203-000812	C437	0.033nF,5%,50V,NP0,TP,1005	CM05CG330J50AH
73	2203-000812	C438	0.033nF,5%,50V,NP0,TP,1005	CM05CG330J50AH
74	2203-000812	C439	0.033nF,5%,50V,NP0,TP,1005	CM05CG330J50AH
75	2203-000254	C440	10nF,10%,16V,X7R,TP,1005,-	CM05X7R103K16AH
76	2203-000812	C441	0.033nF,5%,50V,NP0,TP,1005	CM05CG330J50AH
77	2203-000812	C442	0.033nF,5%,50V,NP0,TP,1005	CM05CG330J50AH
78	2203-000812	C443	0.033nF,5%,50V,NP0,TP,1005	CM05CG330J50AH
79	2203-000679	C444	0.027nF,5%,50V,NP0,TP,1005	CM05CG270J50AH
80	2203-000679	C445	0.027nF,5%,50V,NP0,TP,1005	CM05CG270J50AH
81	2404-001151	C446	33UF,20%,6.3V,-,TP,3718	F950J336MAAGZT
82	2203-000995	C447	0.047nF,5%,50V,NP0,TP,1005	CM05CG470J50AH

NO	SEC CODE	Reference	Part Description	Vendor Part No.
83	2203-000812	C448	0.033nF,5%,50V,NP0,TP,1005	CM05CG330J50AH
84	2203-000254	C449	10nF,10%,16V,X7R,TP,1005,-	CM05X7R103K16AH
85	2203-005480	C450	33nF,10%,10V,X7R,TP,1005,-	CM05X7R333K10AH
86	2203-005480	C451	33nF,10%,10V,X7R,TP,1005,-	CM05X7R333K10AH
87	2203-000233	C452	0.1nF,5%,50V,NP0,TP,1005	CM05CG101J50AH
88	2203-000233	C453	0.1nF,5%,50V,NP0,TP,1005	CM05CG101J50AH
89	2203-000233	C454	0.1nF,5%,50V,NP0,TP,1005	CM05CG101J50AH
90	2203-000233	C455	0.1nF,5%,50V,NP0,TP,1005	CM05CG101J50AH
91	2203-005503	C457	0.18nF,5%,25V,NP0,TP,1005	CL05C181JANC
92	2203-005481	C459	47nF,10%,10V,X7R,TP,1005,-	CM05X7R473K10AH
93	2203-002525	C481	0.56nF,10%,50V,X7R,TP,1005	CM05X7R561K50AH
94	2203-001153	C494	0.068nF,5%,50V,NP0,TP,1005	CM05CG680J50AH
95	2203-005061	C534	100nF,+80-20%,16V,Y5V,TP,1005	CM05Y5V104Z16AH
96	2404-001105	C535	10UF,20%,6.3V,GP,TP,2012	TCSCS0J106MPAR
97	2203-000254	C536	10nF,10%,16V,X7R,TP,1005,-	CM05X7R103K16AH
98	2203-005061	C545	100nF,+80-20%,16V,Y5V,TP,1005	CM05Y5V104Z16AH
99	2203-000679	C555	0.027nF,5%,50V,NP0,TP,1005	CM05CG270J50AH
100	2203-000438	C556	1nF,10%,50V,X7R,TP,1005,-	CM05X7R102K50AH
101	2203-000438	C557	1nF,10%,50V,X7R,TP,1005,-	CM05X7R102K50AH
102	2203-000438	C562	1nF,10%,50V,X7R,TP,1005,-	CM05X7R102K50AH
103	2203-000679	C569	0.027nF,5%,50V,NP0,TP,1005	CM05CG270J50AH
104	2203-000466	C575	0.001nF,0.25pF,50V,NP0,TP,1005	CM05CG1R0J50AH
105	2404-001134	C579	100UF,20%,6.3V,LZ,TP,4028	595D107X06R3B2T
106	2203-000438	C580	1nF,10%,50V,X7R,TP,1005,-	CM05X7R102K50AH
107	2203-000696	C582	0.002nF,0.25pF,50V,NP0,TP,1005	CM05CG2R0C50AH
108	2203-000254	C587	10nF,10%,16V,X7R,TP,1005,-	CM05X7R103K16AH
109	2203-005061	C588	100nF,+80-20%,16V,Y5V,TP,1005	CM05Y5V104Z16AH
110	2203-005234	C596	0.0012nF,0.25pF,50V,NP0,TP,1005	CM05CG1R2C50AH
111	2203-005061	C597	100nF,+80-20%,16V,Y5V,TP,1005	CM05Y5V104Z16AH
112	2203-005281	C600	0.0015nF,0.1pF,50V,NP0,TP,1005	CL05C1R5BBNC
113	2203-000233	C658	0.1nF,5%,50V,NP0,TP,1005	CM05CG101J50AH
114	2203-000995	C698	0.047nF,5%,50V,NP0,TP,1005	CM05CG470J50AH
115	2203-000995	C699	0.047nF,5%,50V,NP0,TP,1005	CM05CG470J50AH
116	2203-005061	C701	100nF,+80-20%,16V,Y5V,TP,1005	CM05Y5V104Z16AH
117	2203-005065	C705	1000nF,+80-20%,10V,Y5V,TP,1608	CL10F105ZONC
118	2203-005061	C706	100nF,+80-20%,16V,Y5V,TP,1005	CM05Y5V104Z16AH
119	2404-001105	C708	10UF,20%,6.3V,GP,TP,2012	TCSCS0J106MPAR
120	2404-001020	C710	10uF,20%,10V,GP,TP,3216,3.2	TAJA106M010R
121	2203-005061	C711	100nF,+80-20%,16V,Y5V,TP,1005	CM05Y5V104Z16AH
122	2203-000254	C712	10nF,10%,16V,X7R,TP,1005,-	CM05X7R103K16AH
123	2203-000679	C717	0.027nF,5%,50V,NP0,TP,1005	CM05CG270J50AH
124	2203-000233	C718	0.1nF,5%,50V,NP0,TP,1005	CM05CG101J50AH

NO	SEC CODE	Reference	Part Description	Vendor Part No.
125	2203-000233	C719	0.1nF,5%,50V,NP0,TP,1005	CM05CG101J50AH
126	2203-005446	C721	0.0027nF,0.1pF,50V,NP0,TP,1005	GRP1555C1H2R7BZ01E
127	2203-000696	C722	0.002nF,0.25pF,50V,NP0,TP,1005	CM05CG2R0C50AH
128	2203-000679	C727	0.027nF,5%,50V,NP0,TP,1005	CM05CG270J50AH
129	2203-000679	C728	0.027nF,5%,50V,NP0,TP,1005	CM05CG270J50AH
130	2203-000812	C732	0.033nF,5%,50V,NP0,TP,1005	CM05CG330J50AH
131	2203-000679	C734	0.027nF,5%,50V,NP0,TP,1005	CM05CG270J50AH
132	2203-000679	C735	0.027nF,5%,50V,NP0,TP,1005	CM05CG270J50AH
133	2203-005065	C748	1000nF,+80-20%,10V,Y5V,TP,1608	CL10F105ZONC
134	2203-005065	C749	1000nF,+80-20%,10V,Y5V,TP,1608	CL10F105ZONC
135	2404-001105	C750	10UF,20%,6.3V,GP,TP,2012	TCSCS0J106MPAR
136	2203-000254	C751	10nF,10%,16V,X7R,TP,1005,-	CM05X7R103K16AH
137	2203-005482	C752	100nF,10%,10V,X5R,TP,1005,-	GRM36X5R104K10PT
138	2203-005065	C753	1000nF,+80-20%,10V,Y5V,TP,1608	CL10F105ZONC
139	2203-000679	C754	0.027nF,5%,50V,NP0,TP,1005	CM05CG270J50AH
140	2203-000679	C757	0.027nF,5%,50V,NP0,TP,1005	CM05CG270J50AH
141	2203-001201	C760	0.007nF,0.5pF,50V,NP0,TP,1005	CM05CG7R0D50AH
142	2203-005383	C761	7pF,0.1pF,50V,NPO,TP,1005,-	GRP1555C1H7R0BZ01E
143	2203-000679	C762	0.027nF,5%,50V,NP0,TP,1005	CM05CG270J50AH
144	2203-000254	C763	10nF,10%,16V,X7R,TP,1005,-	CM05X7R103K16AH
145	2203-000679	C766	0.027nF,5%,50V,NP0,TP,1005	CM05CG270J50AH
146	2203-000679	C767	0.027nF,5%,50V,NP0,TP,1005	CM05CG270J50AH
147	2203-000812	C769	0.033nF,5%,50V,NP0,TP,1005	CM05CG330J50AH
148	2203-000233	C770	0.1nF,5%,50V,NP0,TP,1005	CM05CG101J50AH
149	2203-000679	C771	0.027nF,5%,50V,NP0,TP,1005	CM05CG270J50AH
150	2404-001101	C777	1uF,20%,16V,GP,TP,2012,-	TAJR105M016R
151	3705-001226	CN1	MCX,JACK,75MOHM,50OHM,0.45DB	KMS-157
152	0407-001007	D304	UMN1,80V,25mA,CA4-2,UM5,TR	UMN1TR
153	1405-001116	D422	23.5V,10A,1X0.5X0.6MM,TP	SIOV-CT0402L14G
154	1405-001117	D424	22V,30A,1.6X0.8X0.9MM,TP	SIOV-CT0603K14G
155	0601-001547	D427	CHIP,BLUE,1.1X0.8MM,468NM	SLS-NNBL102TS
156	0601-001547	D431	CHIP,BLUE,1.1X0.8MM,468NM	SLS-NNBL102TS
157	0401-001033	D441	MCL4154,25V,200mA,M-MELF,TP	MCL4154
158	2901-001230	E200	50V,0.3A,-,470PF,2X1.25X0.85MM,TP	EMIC21B471MBNC
159	2904-001345	F200	225MHZ,-,-,TP,5.5DB,-	B7304
160	2904-001328	F203	1.8425GHZ,75MHZ,925-960MHZ/2.1DB,TP,925-960MHZ/2.8DB,0-1300MHZ/20DB	FAR-G6CS-1G8425-L250
161	2904-001328	F204	1.8425GHZ,75MHZ,925-960MHZ/2.1DB,TP,925-960MHZ/2.8DB,0-1300MHZ/20DB	FAR-G6CS-1G8425-L250
162	3709-001088	J402	6P,2.54mm,SMD-S,AU	2-1483271-2
163	3710-001595	J403	18P,1R,0.5mm,SMD-A,AUF	1004-0018-304
164	2703-002309	L200	82NH,5%,1.0X0.5X0.5MM	CIH05T82NJNC
165	2703-002308	L201	68NH,5%,1.0X0.5X0.5MM	CIH05T68NJNC
166	2703-001730	L204	15nH,5%,1x0.5x0.5mm	HK1005-15NJ-T

NO	SEC CODE	Reference	Part Description	Vendor Part No.
167	2703-002268	L209	8.2NH,10%,1.0X0.5X0.5MM	CIH05T8N2JNC
168	2703-002203	L211	15NH,5%,1.0X0.5X0.5MM	CIH05T15NJNC
169	2703-002314	L212	47NH,5%,1.0X0.5X0.5MM	CIH05T47NJNC
170	2703-002314	L213	47NH,5%,1.0X0.5X0.5MM	CIH05T47NJNC
171	2703-002170	L218	6.8nH,5%,1x0.5x0.5mm	CIH05T6N8JNC
172	2703-002281	L406	5.6NH,10%,1.0X0.5X0.5MM	CIH05T5N6SNC
173	2703-002201	L408	33NH,5%,1.0X0.5X0.5MM	CIH05T33NJNC
174	2703-002201	L409	33NH,5%,1.0X0.5X0.5MM	CIH05T33NJNC
175	2703-002207	L594	3.3NH,0.3NH,1.0X0.5X0.5MM	CIH05T3N3SNC
176	2703-001949	L595	4.7nH,10%,1.0x0.5x0.5mm	HK1005-4N7K-T
177	2703-002207	L596	3.3NH,0.3NH,1.0X0.5X0.5MM	CIH05T3N3SNC
178	2703-002199	L597	12NH,5%,1.0X0.5X0.5MM	CIH05T12NKNC
179	2703-002325	L600	120NH,5%,1608	CIH10TR12JNC
180	3301-001362	L607	AB,1kohm,1x0.5x0.5mm,50mA,TP,FERRITE,1.5ohm	BLM15AG102PN1D
181	2703-002388	L609	56NH,5%,1.0X0.5X0.5MM	LQG15HN56NJ02D
182	2703-002200	L610	18NH,5%,1.0X0.5X0.5MM	CIH05T18NJNC
183	2703-002200	L611	18NH,5%,1.0X0.5X0.5MM	CIH05T18NJNC
184	2703-002201	L612	33NH,5%,1.0X0.5X0.5MM	CIH05T33NJNC
185	0501-000225	Q100	2SC4617,NPN,200mW,EM3,TP,120-5	2SC4617R
186	0505-001570	Q102	-,N/P,-,-,0.4W,SC70-6	SI1865DL-T1
187	0505-001570	Q402	-,N/P,-,-,0.4W,SC70-6	SI1865DL-T1
188	0501-000162	Q403	2SA1576,PNP,200MW,SOT-323,TP,180-390	STA1576G
189	0502-001201	Q405	ZXT13P20DE6,PNP,1100MW,SOT-23-6,TP,300-900	ZXT13P20DE6TA
190	0504-001012	Q406	DTC114YE,NPN,150MW,10K/47K,EMT3,TP	DTC114YE
191	0504-001012	Q407	DTC114YE,NPN,150MW,10K/47K,EMT3,TP	DTC114YE
192	0505-001570	Q410	-,N/P,-,-,0.4W,SC70-6	SI1865DL-T1
193	2007-000148	R101	10Kohm,5%,1/16W,DA,TP,1005	RC1005J103CS
194	2007-000172	R102	10ohm,5%,1/16W,DA,TP,1005	RC1005J100CS
195	2007-000141	R103	2.2Kohm,5%,1/16W,DA,TP,1005	RC1005J222CS
196	2007-000155	R104	27Kohm,5%,1/16W,DA,TP,1005	RC1005J273CS
197	2007-001244	R105	91Kohm,5%,1/16W,DA,TP,1005	RC1005J913CS
198	2007-000140	R106	1Kohm,5%,1/16W,DA,TP,1005	RC1005J102CS
199	2007-000140	R107	1Kohm,5%,1/16W,DA,TP,1005	RC1005J102CS
200	2007-000162	R112	100Kohm,5%,1/16W,DA,TP,1005	RC1005J104CS
201	2007-002797	R117	560ohm,5%,1/16W,DA,TP,1005	ERJ2GEJ561X
202	2007-000138	R200	100ohm,5%,1/16W,DA,TP,1005	RC1005J101CS
203	2007-001292	R202	33ohm,5%,1/16W,DA,TP,1005	MCR01MZSJ330
204	2007-007095	R203	390OHM,5%,1/16W,DA,TP,1005	RC1005J391CS
205	2007-007095	R204	390OHM,5%,1/16W,DA,TP,1005	RC1005J391CS
206	2007-001288	R211	18ohm,5%,1/16W,DA,TP,1005	RC1005J180CS
207	2007-007008	R212	300OHM,5%,1/16W,DA,TP,1005	RC1005J301CS
208	2007-007135	R213	18Kohm,5%,1/16W,DA,TP,1005	RK73HIETP1802F

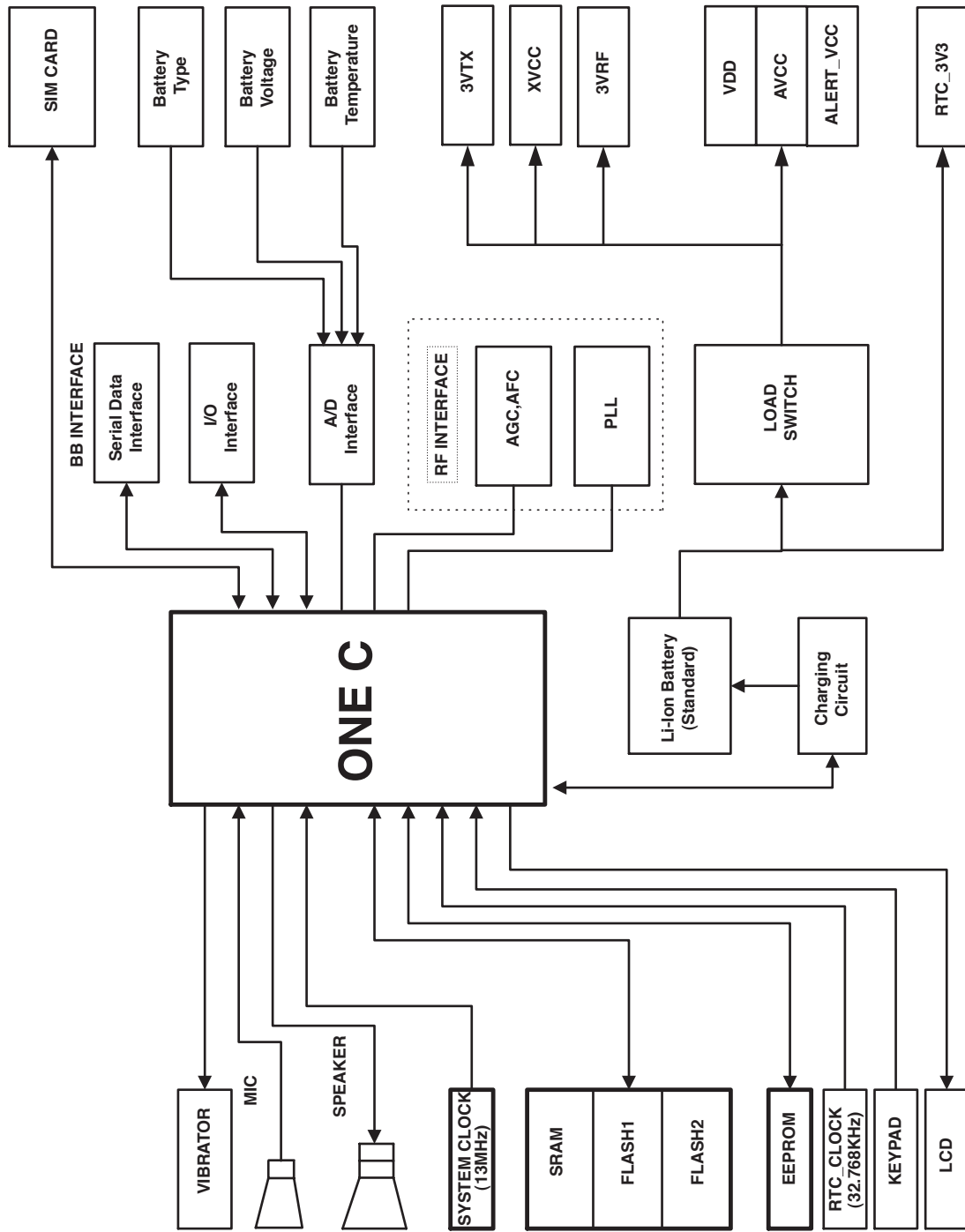
NO	SEC CODE	Reference	Part Description	Vendor Part No.
209	2007-000139	R214	220ohm,5%,1/16W,DA,TP,1005	RC1005J221CS
210	2007-001290	R217	24ohm,5%,1/16W,DA,TP,1005	RC1005J240CS
211	2007-000172	R220	10ohm,5%,1/16W,DA,TP,1005	RC1005J100CS
212	2007-001298	R221	51ohm,5%,1/16W,DA,TP,1005	RC1005J510CS
213	2007-000141	R223	2.2Kohm,5%,1/16W,DA,TP,1005	RC1005J222CS
214	2007-000172	R224	10ohm,5%,1/16W,DA,TP,1005	RC1005J100CS
215	2007-000148	R238	10Kohm,5%,1/16W,DA,TP,1005	RC1005J103CS
216	2007-000148	R240	10Kohm,5%,1/16W,DA,TP,1005	RC1005J103CS
217	2007-000148	R241	10Kohm,5%,1/16W,DA,TP,1005	RC1005J103CS
218	2007-000148	R303	10Kohm,5%,1/16W,DA,TP,1005	RC1005J103CS
219	2007-000162	R304	100Kohm,5%,1/16W,DA,TP,1005	RC1005J104CS
220	2007-001325	R305	3.3Kohm,5%,1/16W,DA,TP,1005	RC1005J332CS
221	2007-000148	R313	10Kohm,5%,1/16W,DA,TP,1005	RC1005J103CS
222	2007-000148	R315	10Kohm,5%,1/16W,DA,TP,1005	RC1005J103CS
223	2007-000162	R316	100Kohm,5%,1/16W,DA,TP,1005	RC1005J104CS
224	2007-007771	R319	0OHM,5%,1/16W,DA,TP,1005	RC1005J000CS
225	2011-001344	R320	100ohm,5%,1/16W,L,CHIP,8P,TP	EXB28V101JX
226	2007-000138	R321	100ohm,5%,1/16W,DA,TP,1005	RC1005J101CS
227	2007-000148	R348	10Kohm,5%,1/16W,DA,TP,1005	RC1005J103CS
228	2007-000152	R429	20Kohm,5%,1/16W,DA,TP,1005	RC1005J203CS
229	2007-000162	R430	100Kohm,5%,1/16W,DA,TP,1005	RC1005J104CS
230	2007-000162	R432	100Kohm,5%,1/16W,DA,TP,1005	RC1005J104CS
231	2007-000141	R433	2.2Kohm,5%,1/16W,DA,TP,1005	RC1005J222CS
232	2007-000141	R434	2.2Kohm,5%,1/16W,DA,TP,1005	RC1005J222CS
233	2007-000148	R435	10Kohm,5%,1/16W,DA,TP,1005	RC1005J103CS
234	2007-000162	R437	100Kohm,5%,1/16W,DA,TP,1005	RC1005J104CS
235	2007-000148	R438	10Kohm,5%,1/16W,DA,TP,1005	RC1005J103CS
236	2007-000168	R440	470Kohm,5%,1/16W,DA,TP,1005	RC1005J474CS
237	2007-000157	R441	47Kohm,5%,1/16W,DA,TP,1005	RC1005J473CS
238	2007-000157	R442	47Kohm,5%,1/16W,DA,TP,1005	RC1005J473CS
239	2007-000157	R443	47Kohm,5%,1/16W,DA,TP,1005	RC1005J473CS
240	2007-000139	R444	220ohm,5%,1/16W,DA,TP,1005	RC1005J221CS
241	2007-001156	R445	750ohm,5%,1/16W,DA,TP,1005	RC1005J751CS
242	2007-001156	R446	750ohm,5%,1/16W,DA,TP,1005	RC1005J751CS
243	2007-000139	R447	220ohm,5%,1/16W,DA,TP,1005	RC1005J221CS
244	2011-001345	R449	10Kohm,5%,1/16W,L,CHIP,8P,TP	EXB28V103JX
245	2007-000148	R450	10Kohm,5%,1/16W,DA,TP,1005	RC1005J103CS
246	2007-007317	R452	2.2Kohm,1%,1/16W,DA,TP,1005	MCR01MZSF2201
247	2007-007317	R453	2.2Kohm,1%,1/16W,DA,TP,1005	MCR01MZSF2201
248	2007-007317	R454	2.2Kohm,1%,1/16W,DA,TP,1005	MCR01MZSF2201
249	2007-007317	R455	2.2Kohm,1%,1/16W,DA,TP,1005	MCR01MZSF2201
250	2007-007318	R456	1Kohm,1%,1/16W,DA,TP,1005	MCR01MZSF1001

NO	SEC CODE	Reference	Part Description	Vendor Part No.
251	2007-007318	R457	1Kohm,1%,1/16W,DA,TP,1005	MCR01MZSF1001
252	2007-007318	R458	1Kohm,1%,1/16W,DA,TP,1005	MCR01MZSF1001
253	2007-007318	R459	1Kohm,1%,1/16W,DA,TP,1005	MCR01MZSF1001
254	2007-000148	R461	10Kohm,5%,1/16W,DA,TP,1005	RC1005J103CS
255	2011-001344	R485	100ohm,5%,1/16W,L,CHIP,8P,TP	EXB28V101JX
256	2007-000148	R526	10Kohm,5%,1/16W,DA,TP,1005	RC1005J103CS
257	2007-000162	R527	100Kohm,5%,1/16W,DA,TP,1005	RC1005J104CS
258	2007-000148	R535	10Kohm,5%,1/16W,DA,TP,1005	RC1005J103CS
259	2007-000148	R542	10Kohm,5%,1/16W,DA,TP,1005	RC1005J103CS
260	2007-000148	R550	10Kohm,5%,1/16W,DA,TP,1005	RC1005J103CS
261	2007-000148	R551	10Kohm,5%,1/16W,DA,TP,1005	RC1005J103CS
262	2007-000148	R552	10Kohm,5%,1/16W,DA,TP,1005	RC1005J103CS
263	2007-000148	R554	10Kohm,5%,1/16W,DA,TP,1005	RC1005J103CS
264	2007-000162	R555	100Kohm,5%,1/16W,DA,TP,1005	RC1005J104CS
265	2007-000148	R558	10Kohm,5%,1/16W,DA,TP,1005	RC1005J103CS
266	2007-000174	R569	47ohm,5%,1/16W,DA,TP,1005	RC1005J470CS
267	2007-000148	R573	10Kohm,5%,1/16W,DA,TP,1005	RC1005J103CS
268	2007-007001	R575	3.9KOHM,5%,1/16W,DA,TP,1005	RC1005J392CS
269	2007-000172	R577	10ohm,5%,1/16W,DA,TP,1005	RC1005J100CS
270	2007-000172	R578	10ohm,5%,1/16W,DA,TP,1005	RC1005J100CS
271	2007-000162	R579	100Kohm,5%,1/16W,DA,TP,1005	RC1005J104CS
272	2007-000162	R583	100Kohm,5%,1/16W,DA,TP,1005	RC1005J104CS
273	2007-000140	R584	1Kohm,5%,1/16W,DA,TP,1005	RC1005J102CS
274	2007-008117	R594	2.7Kohm,1%,1/16W,DA,TP,1005	RK73H1ETP2701F
275	2007-000148	R604	10Kohm,5%,1/16W,DA,TP,1005	RC1005J103CS
276	2007-000159	R656	56Kohm,5%,1/16W,DA,TP,1005	RC1005J563CS
277	2007-007107	R658	100Kohm,1%,1/16W,DA,TP,1005	RC1005F1003CS
278	2007-007590	R659	82Kohm,1%,1/16W,DA,TP,1005	MCR01MZSF8202
279	2007-000148	R661	10Kohm,5%,1/16W,DA,TP,1005	RC1005J103CS
280	2007-000139	R726	220ohm,5%,1/16W,DA,TP,1005	RC1005J221CS
281	2007-002970	R728	56OHM,5%,1/16W,DA,TP,1005	RC1005J560CS
282	2007-007771	R735	0OHM,5%,1/16W,DA,TP,1005	RC1005J000CS
283	2007-007771	R736	0OHM,5%,1/16W,DA,TP,1005	RC1005J000CS
284	2007-000140	R737	1Kohm,5%,1/16W,DA,TP,1005	RC1005J102CS
285	2007-000168	R738	470Kohm,5%,1/16W,DA,TP,1005	RC1005J474CS
286	2007-000148	R739	10Kohm,5%,1/16W,DA,TP,1005	RC1005J103CS
287	2007-000148	R746	10Kohm,5%,1/16W,DA,TP,1005	RC1005J103CS
288	2007-000162	R751	100Kohm,5%,1/16W,DA,TP,1005	RC1005J104CS
289	2007-000148	R752	10Kohm,5%,1/16W,DA,TP,1005	RC1005J103CS
290	2007-007095	R753	390OHM,5%,1/16W,DA,TP,1005	RC1005J391CS
291	2007-001156	R754	750ohm,5%,1/16W,DA,TP,1005	RC1005J751CS
292	1404-001256	TH1	47KOHM,-,4500K,-,-,-,TP	B57231-V2473-J60

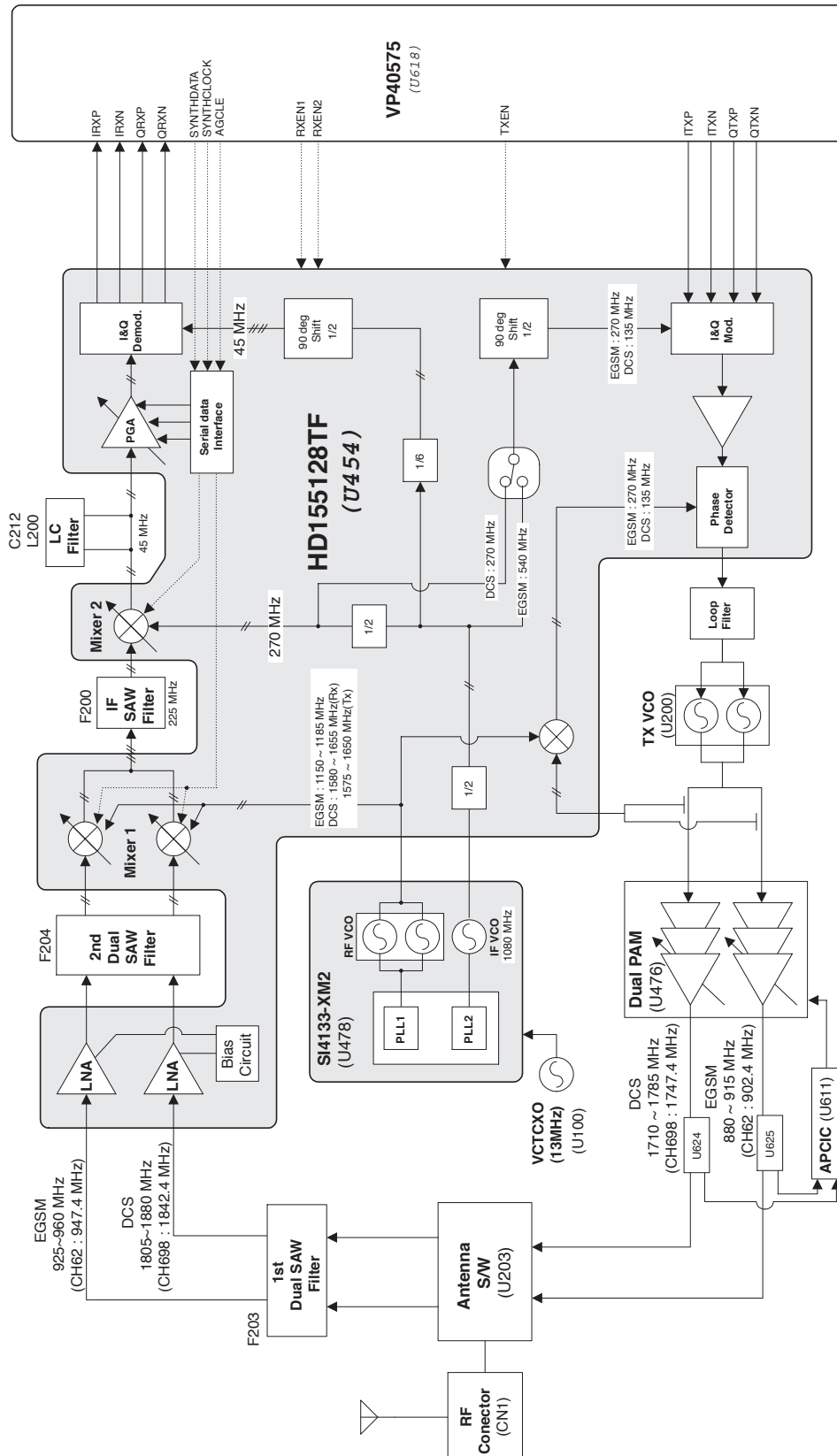
NO	SEC CODE	Reference	Part Description	Vendor Part No.
293	2809-001254	U100	13MHZ,3PPM,10KOHM//10PF,TP,3V,2MA	TOA1300VAI4KRA
294	1203-001454	U101	2981,SOT-23,5P,59MIL,PLASTIC,3	LP2981AIM5X-3.0
295	1203-001454	U102	2981,SOT-23,5P,59MIL,PLASTIC,3	LP2981AIM5X-3.0
296	2806-001239	U200	1748MHz,-,50ohm,TP,2.8V,-	VOF1748C28KRF
297	2909-001146	U203	942.5MHZ,897.5MHZ,1.4/1.5DB,TP,-,-	LMG002S-5008C
298	0504-001012	U209	DTC114YE,NPN,150MW,10K/47K,EMT3,TP	DTC114YE
299	0506-001004	U309	UMC5N,NPN/PNP,2,50V,-,-100mA,3	UMC5NTR
300	3722-001715	U400	6P,2.3PI,AG,BLK,-	02-828PO-53BKA
301	0801-002540	U452	7SZ19,DECODER,SOP,6P,49MIL,SINGLE,TP,PLASTIC, -,-,0.55V,-40to+85C,-,4.125V,1uA,-,	NC7SZ19P6X
302	1205-001935	U454	HD155128TF,TP,56P,-,-,3V,400mW,-20to+75C,QFP,-	HD155128TF
303	0504-001058	U465	RN4985,NPN/PNP,200mW,2.2Kohm/47Kohm,UMD6,TP	RN4985(TE85L)
304	1106-001301	U466	1337,262Kx16Bit,CSP,72P,-,85nS,3V,-,PLASTIC,-25to+85C,15uA,CMOS,TR	LRS1337
305	1205-001881	U467	VP40575,BGA,180P,472MIL,PLASTIC,3.3V,-,-20to+85C,TR,OneC Processor	VP40575
306	1203-001204	U470	2981,SOT-23,5P,59MIL,PLASTIC,3	LP2981AIM5X-3.3
307	0505-001376	U474	FDC6329L,N/P,8V,2.5A,-,0.7W,SC-74	SI3865DV-T1
308	1203-002247	U475	S-809,SOT-23-5,5P,-,-,150MW,-40TO+85C,50MA,-,TP	S-80926ALMP-DAP-T2
309	1201-001785	U476	08122,-,8P,-,DUAL,34DB,-,7V,-,-25TO+100C,-,-,-,-	PF08122B
310	0504-001058	U492	RN4985,NPN/PNP,200mW,2.2Kohm/47Kohm,UMD6,TP	RN4985(TE85L)
311	0504-001058	U493	RN4985,NPN/PNP,200mW,2.2Kohm/47Kohm,UMD6,TP	RN4985(TE85L)
312	1203-001454	U613	2981,SOT-23,5P,59MIL,PLASTIC,3	LP2981AIM5X-3.0
313	1203-002127	U614	1734,SOT-23,6P,150MIL,PLASTIC,4.7/5.3V,-,0to+70C,1A,-,TP	LTC1734ES6#TR
314	1103-001185	U617	24A2561,32Kx8Bit,TSSOP,8P,-,-,1.8V,-,PLASTIC,-25to+70C,1uA,CMOS,TR	S524A40XEO-RCTO
315	2007-000139	U619	220ohm,5%,1/16W,DA,TP,1005	RC1005J221CS
316	0501-002011	U620	2SD2114K,NPN,200mW,SOT-23,TP,8	2SD2114KT146V
317	1203-001204	U621	2981,SOT-23,5P,59MIL,PLASTIC,3	LP2981AIM5X-3.3
318	1203-001454	U622	2981,SOT-23,5P,59MIL,PLASTIC,3	LP2981AIM5X-3.0
319	1203-001454	U623	2981,SOT-23,5P,59MIL,PLASTIC,3	LP2981AIM5X-3.0
320	4709-001213	U624	1710-1785MHz,14+-1dB,12dB,2.0X1.25X0.7mm,TP	DCS214E-1747
321	4709-001214	U625	880-915MHz,19.5+-1dB,13dB,2.0X1.25X0.7mm,TP	DCS214E-0897
322	2801-004025	X1	0.032768MHz,20ppm,28-ABK,1.7fF,65kohm,TP	FC-255

4. Block Diagrams

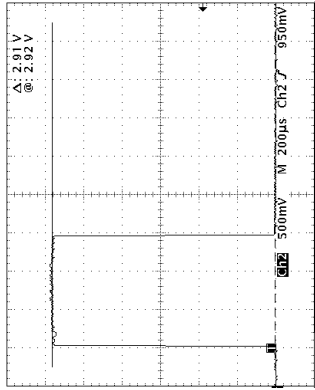
4-1 Main Baseband



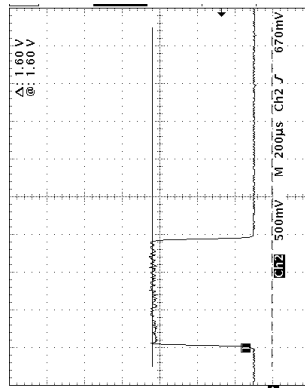
4-2 Main RF



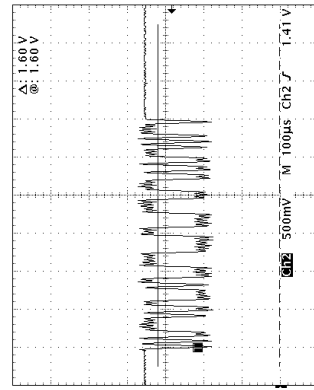
4-2-1 RF Transmit Part



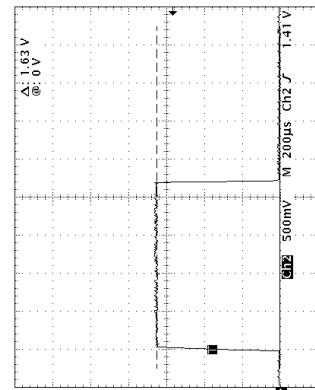
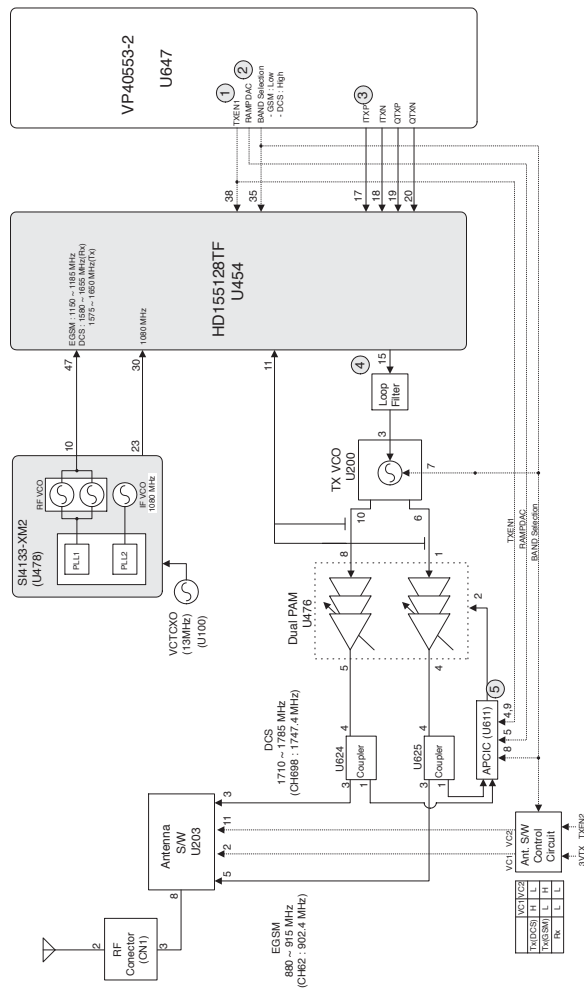
①



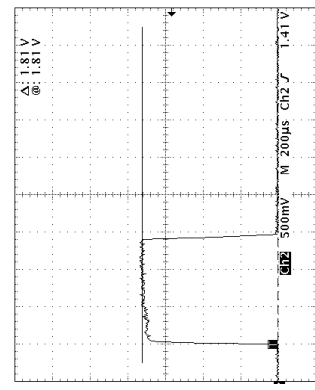
②



③

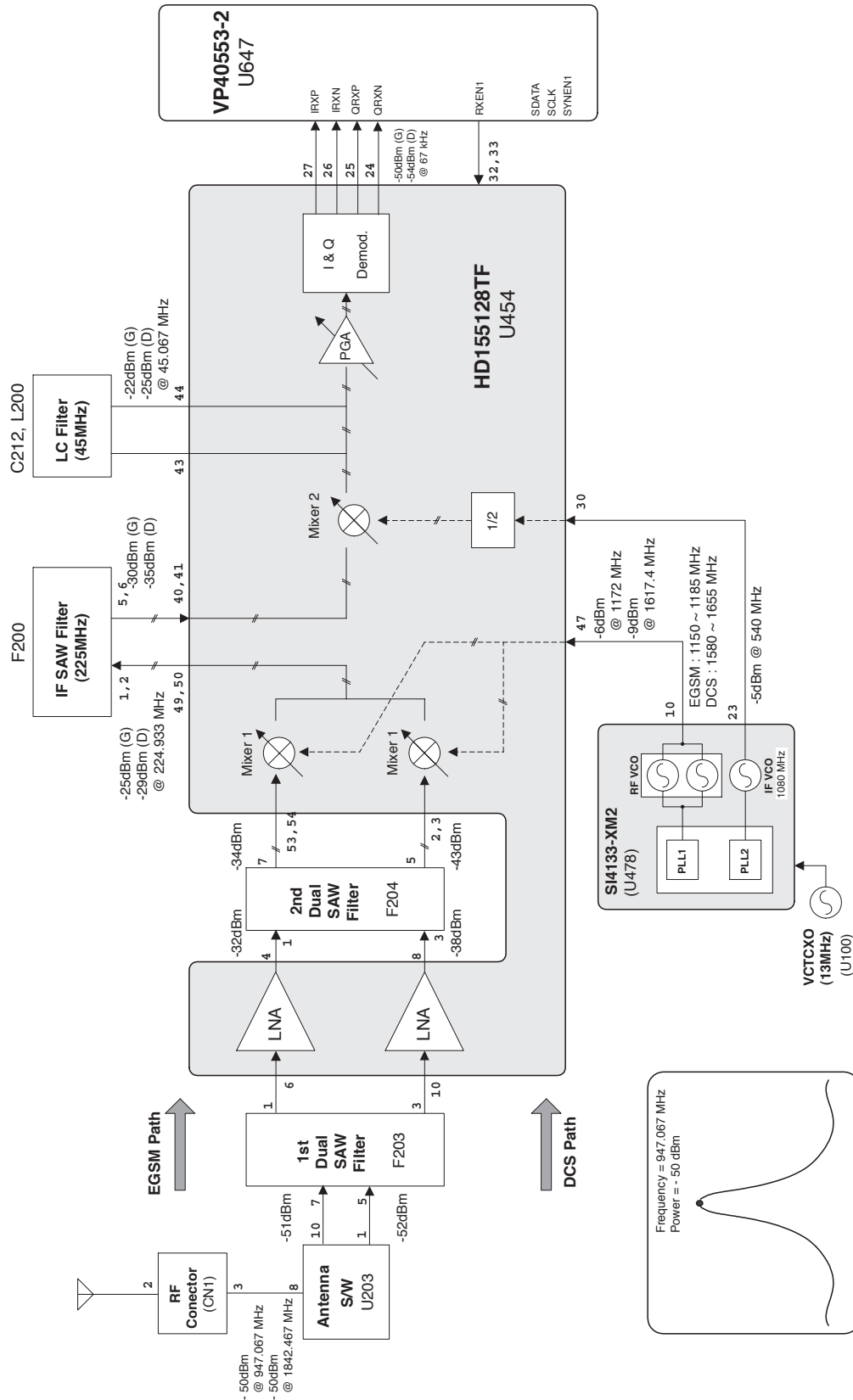


④



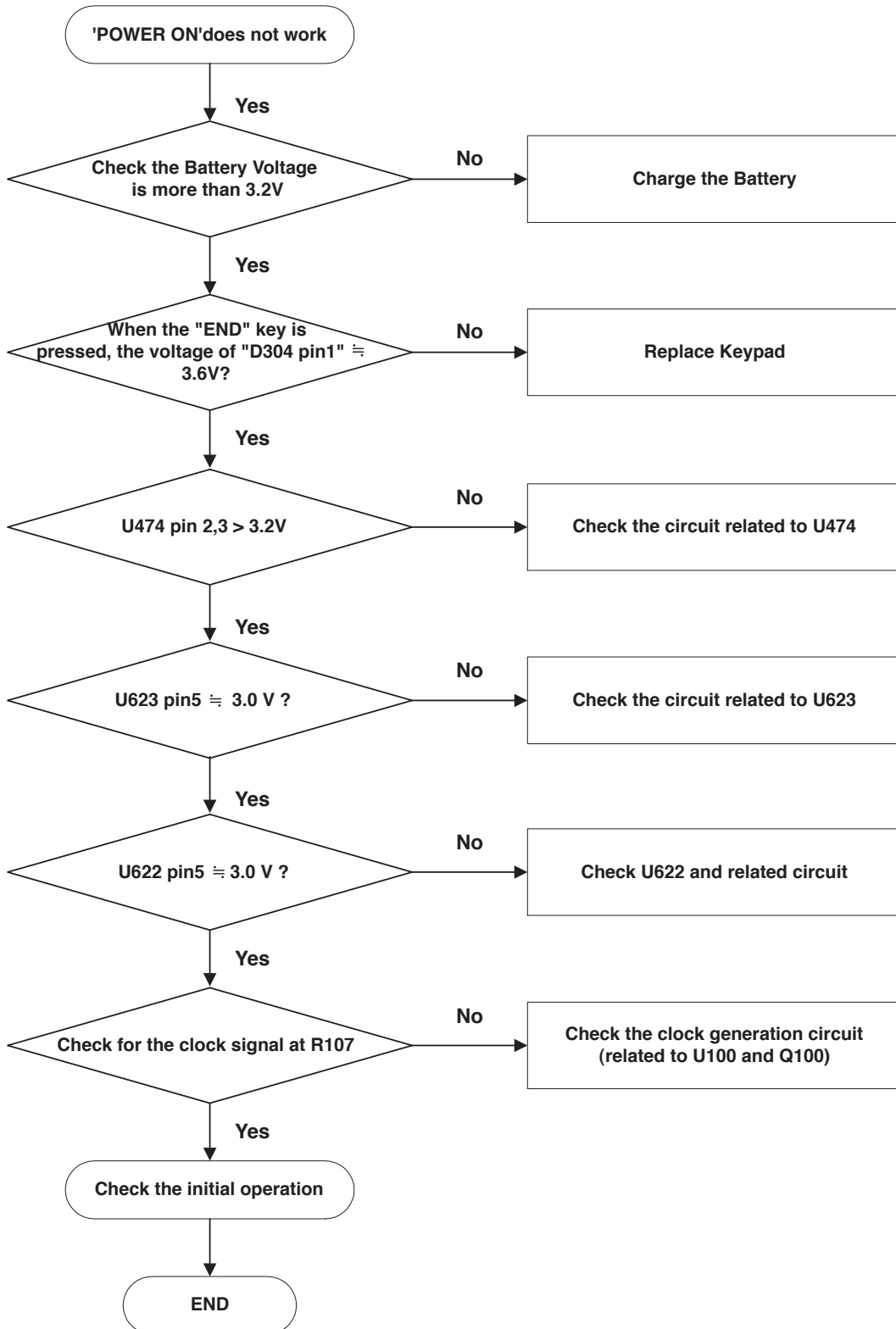
⑤

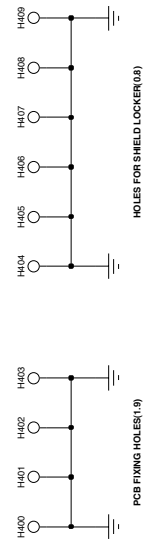
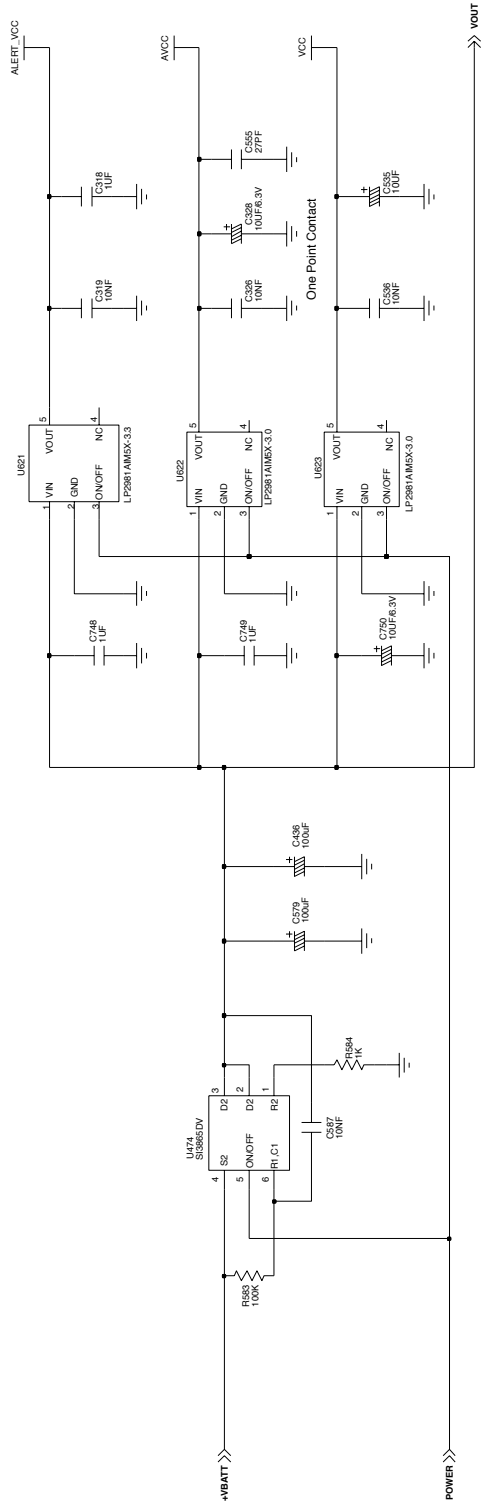
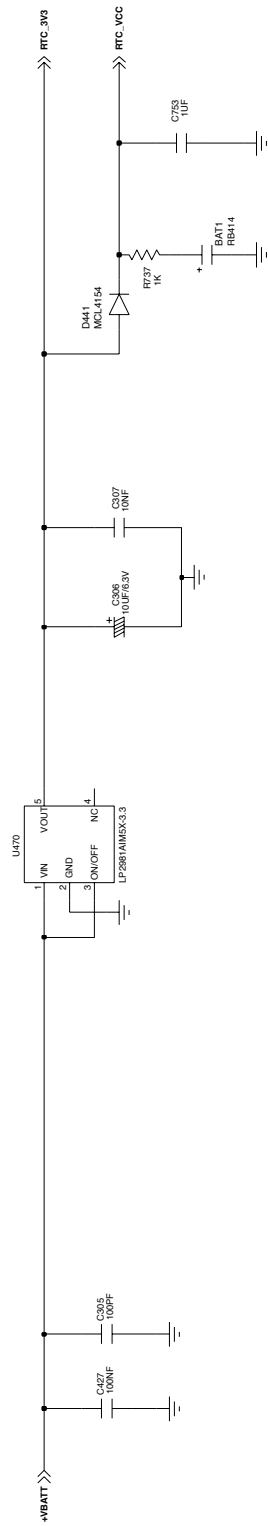
4-2-2 RF Receive Part



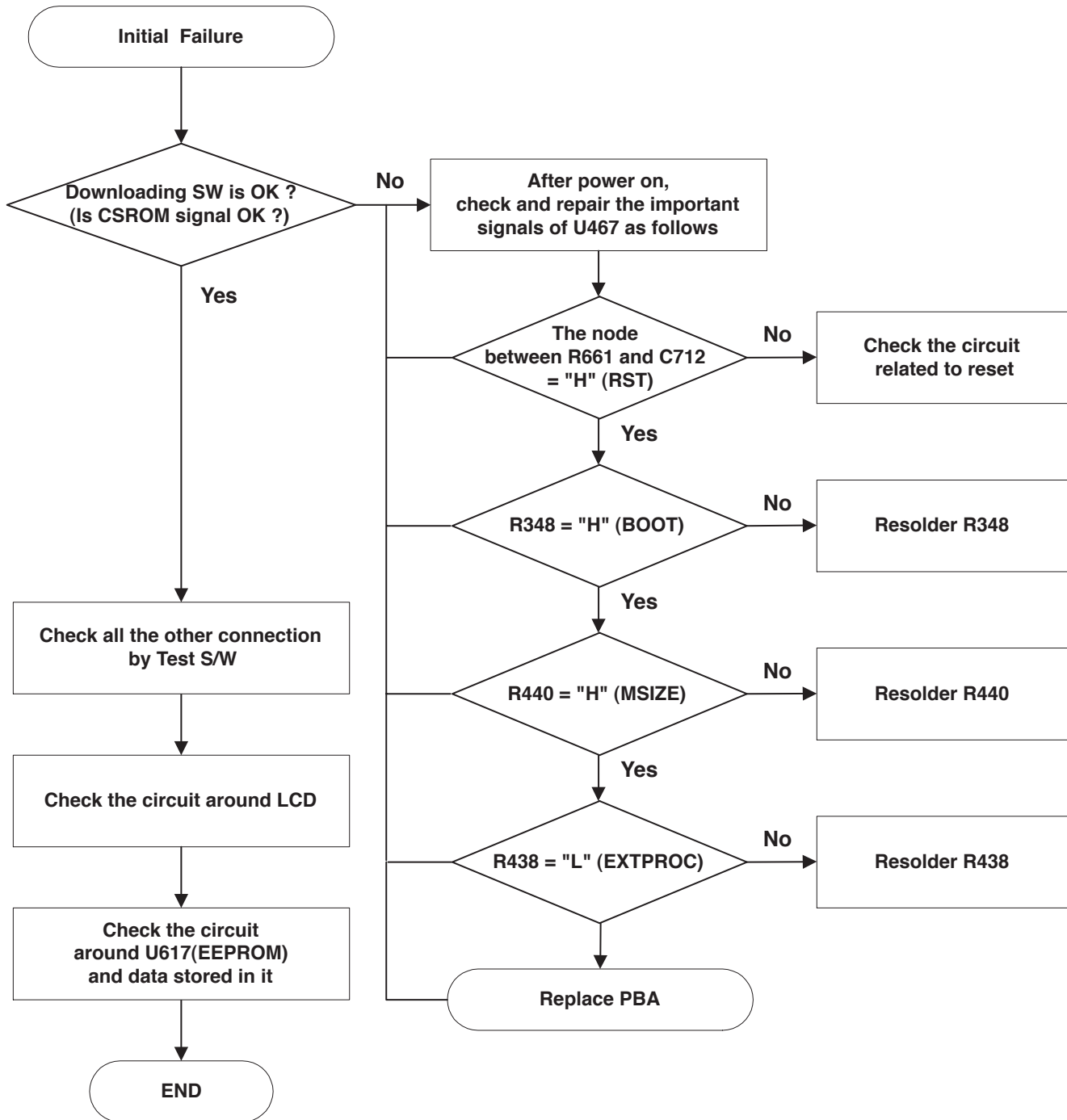
5. Flow Chart of Troubleshooting and Circuit Diagrams

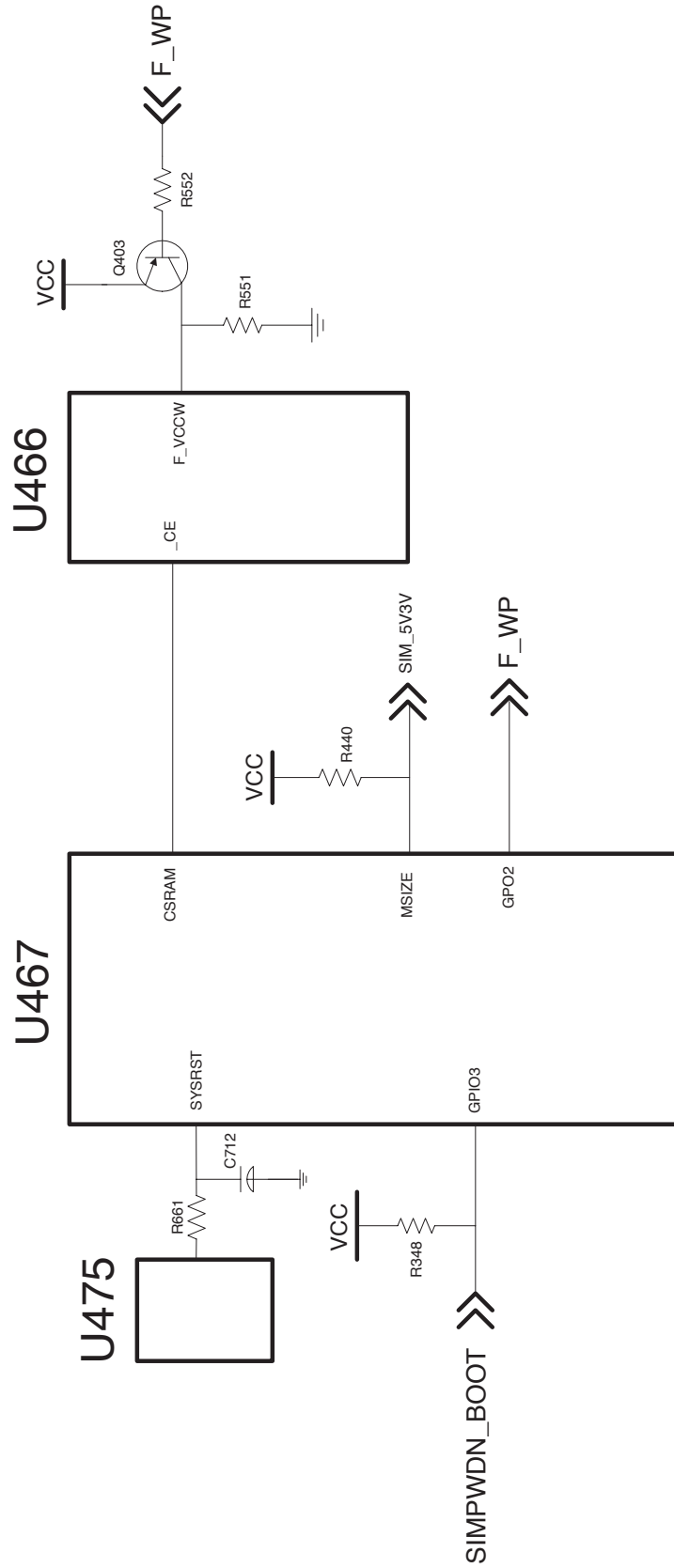
5-1 Power ON



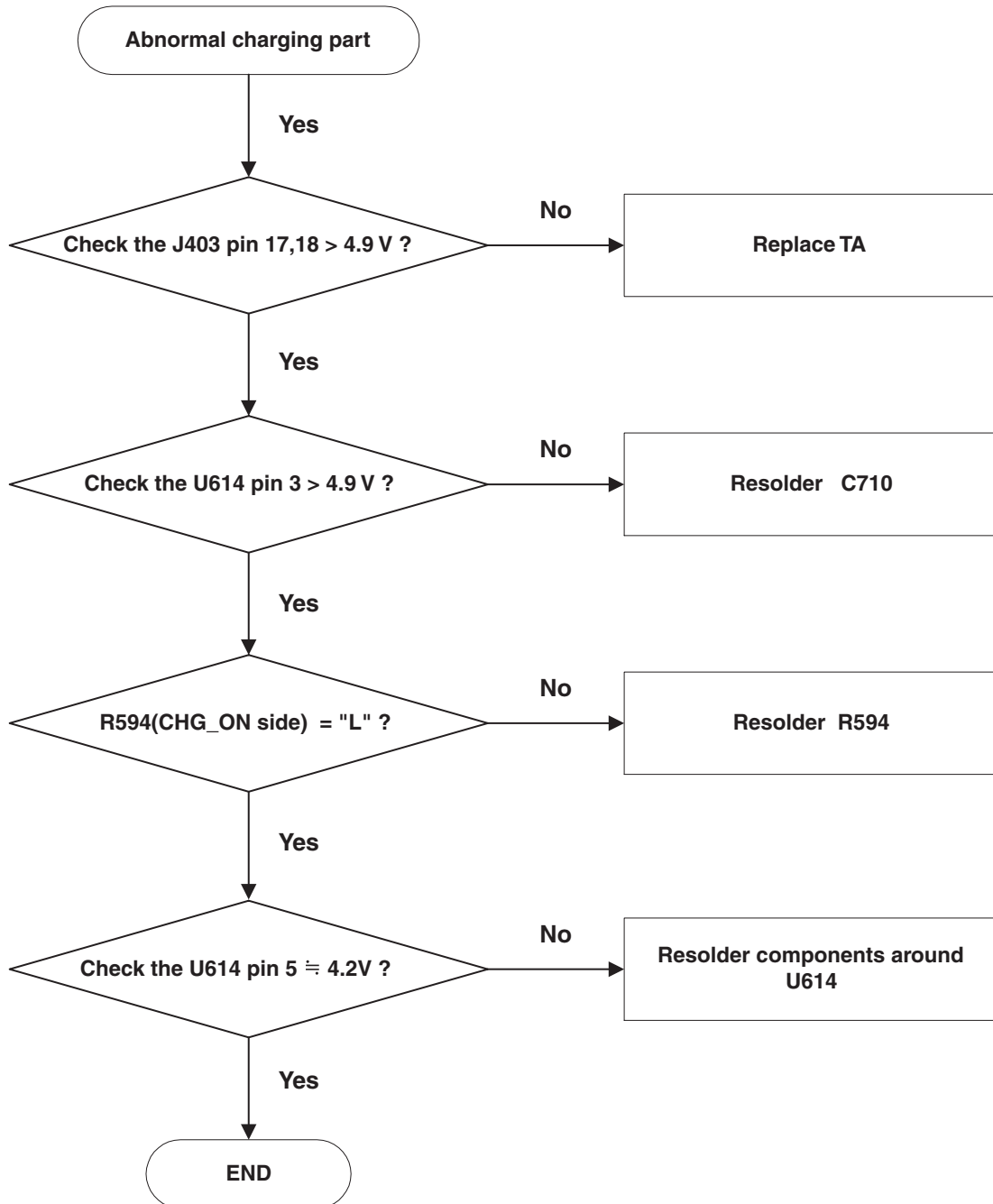


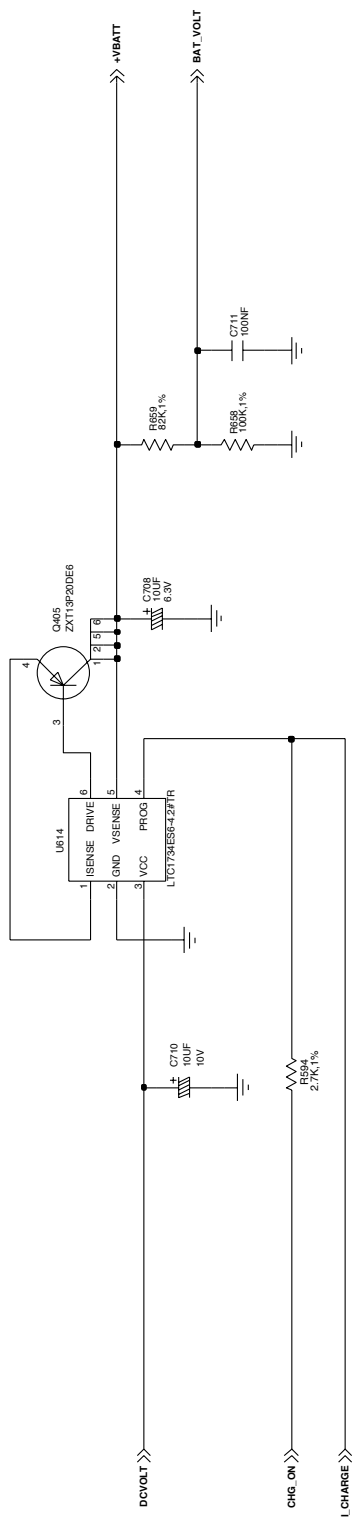
5-2 Initial



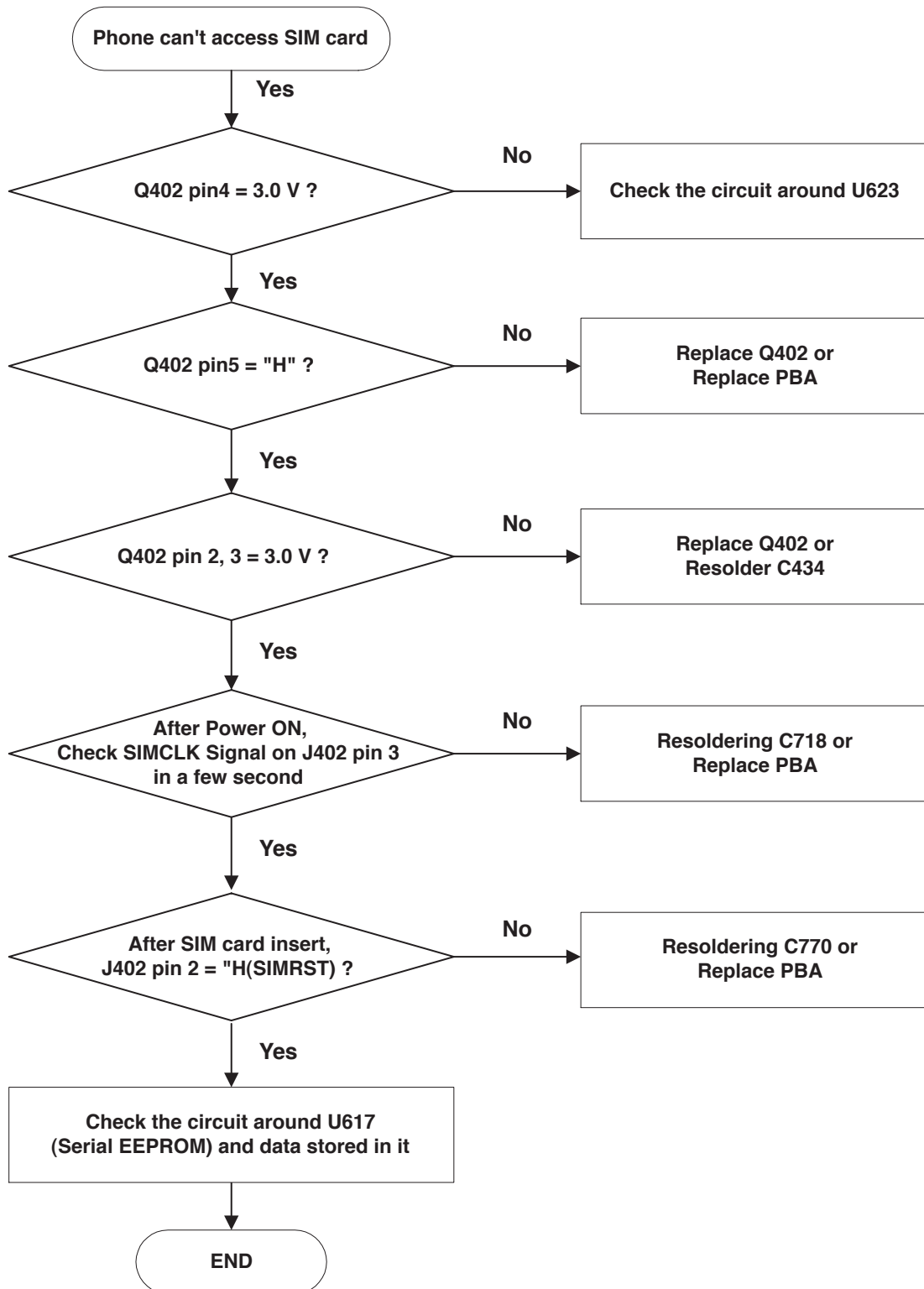


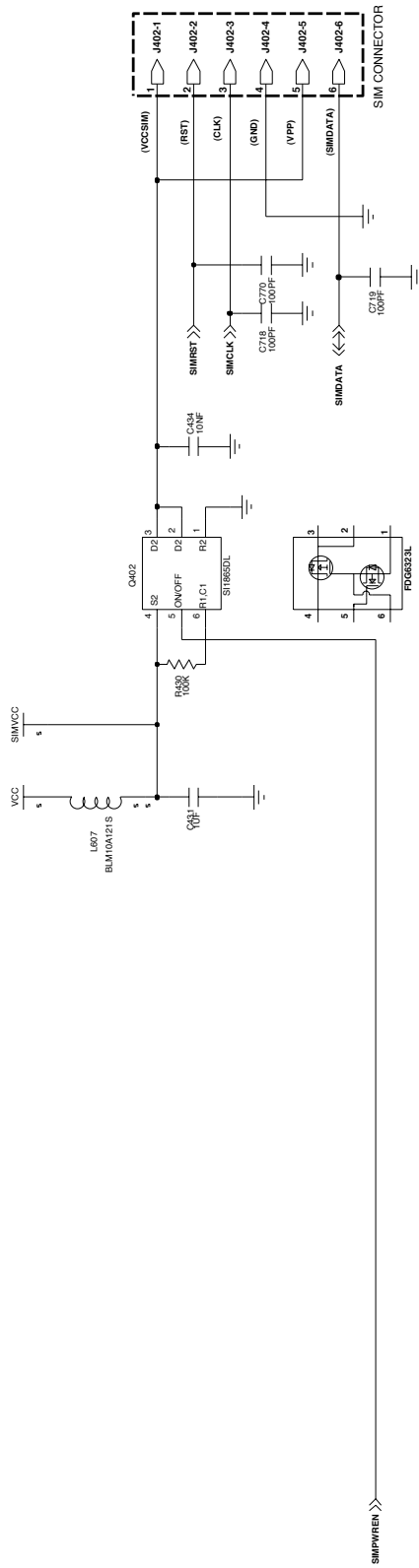
5-3 Charging Part



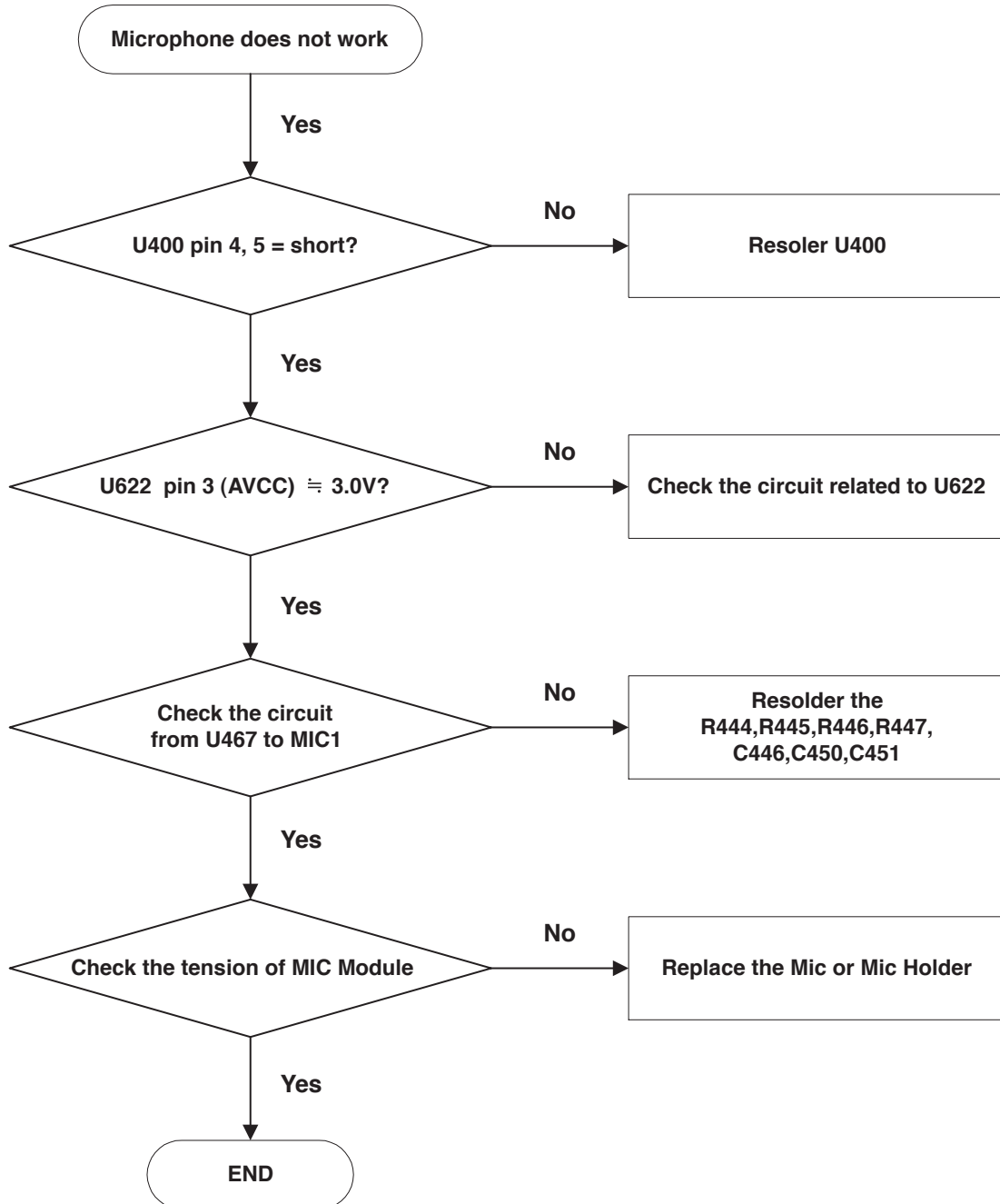


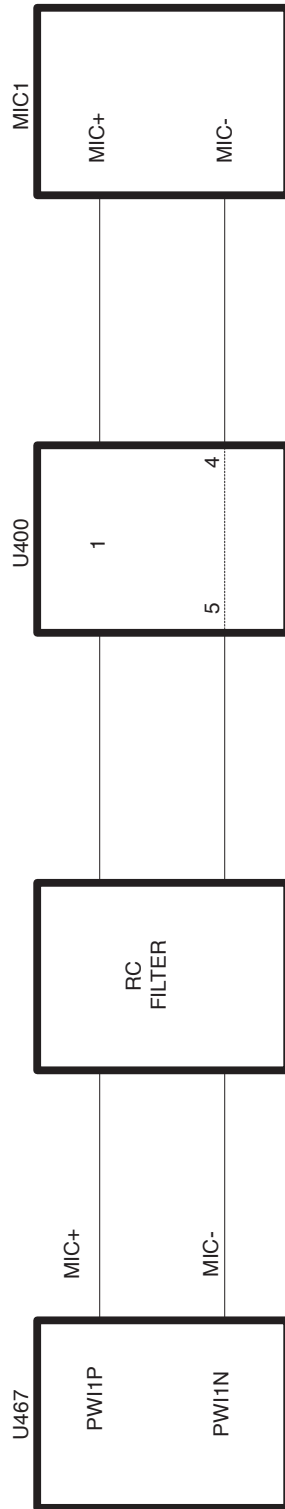
5-4 Sim Part



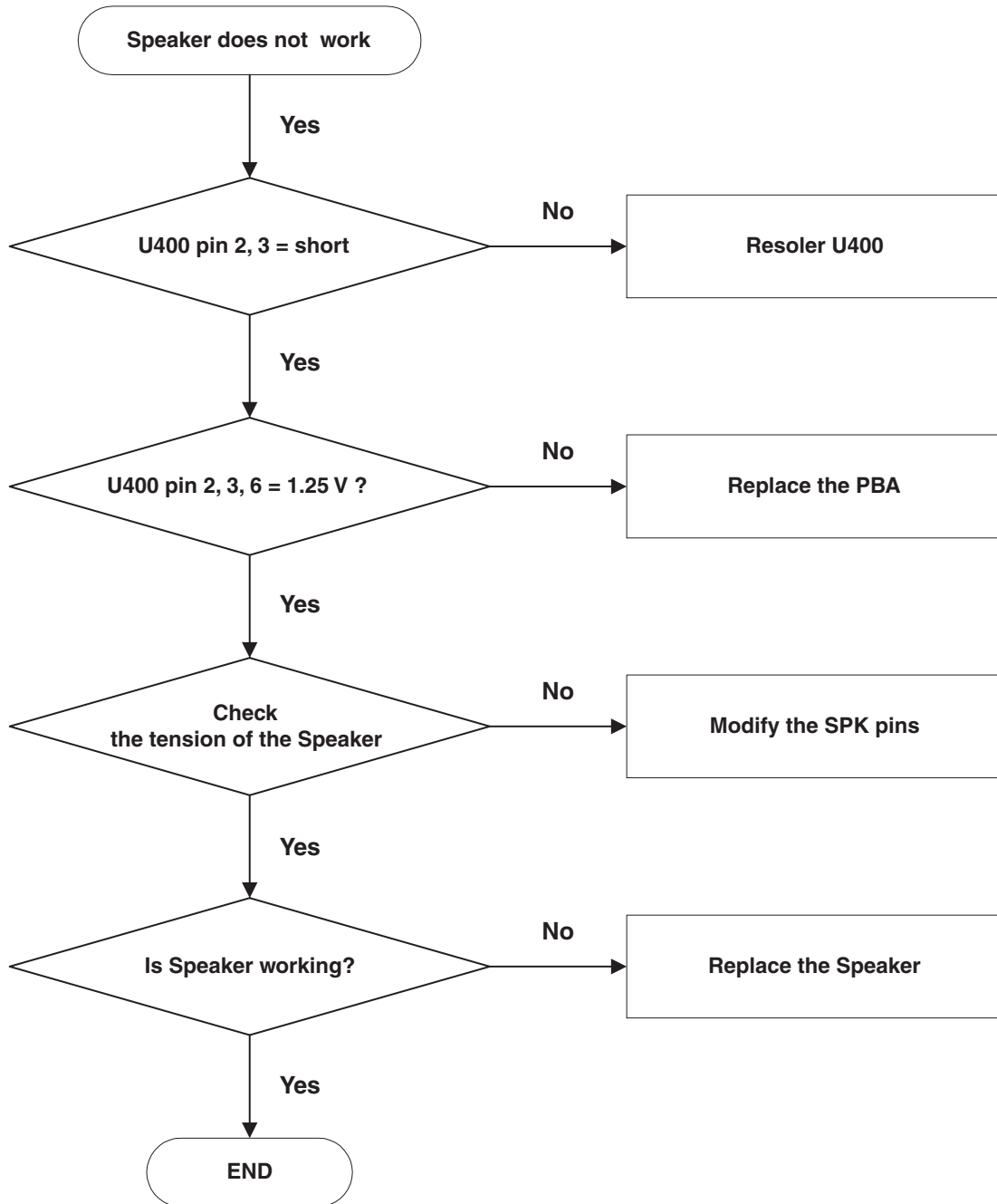


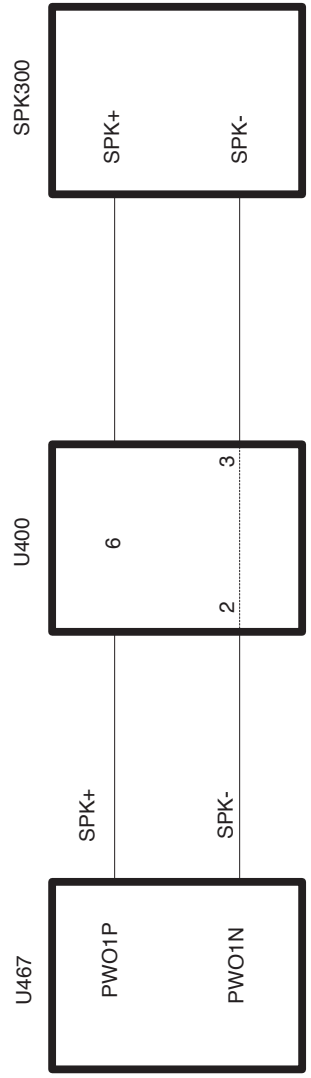
5-5 Microphone Part



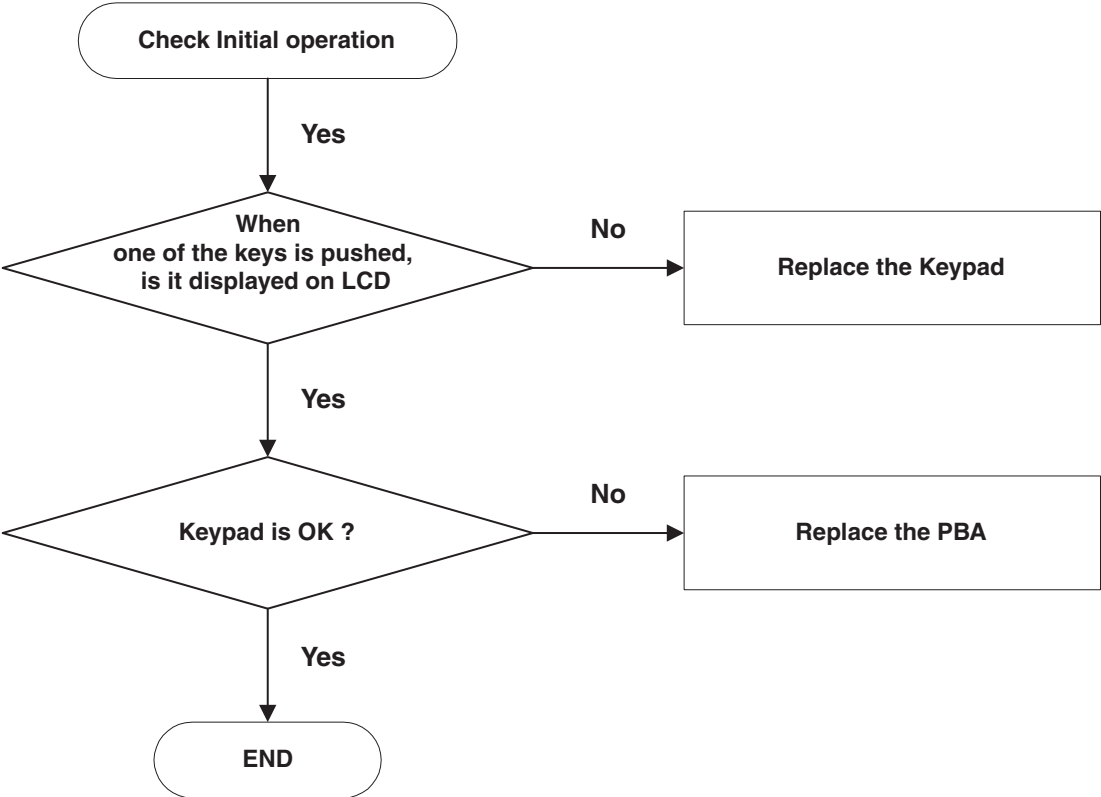


5-6 Speaker Part

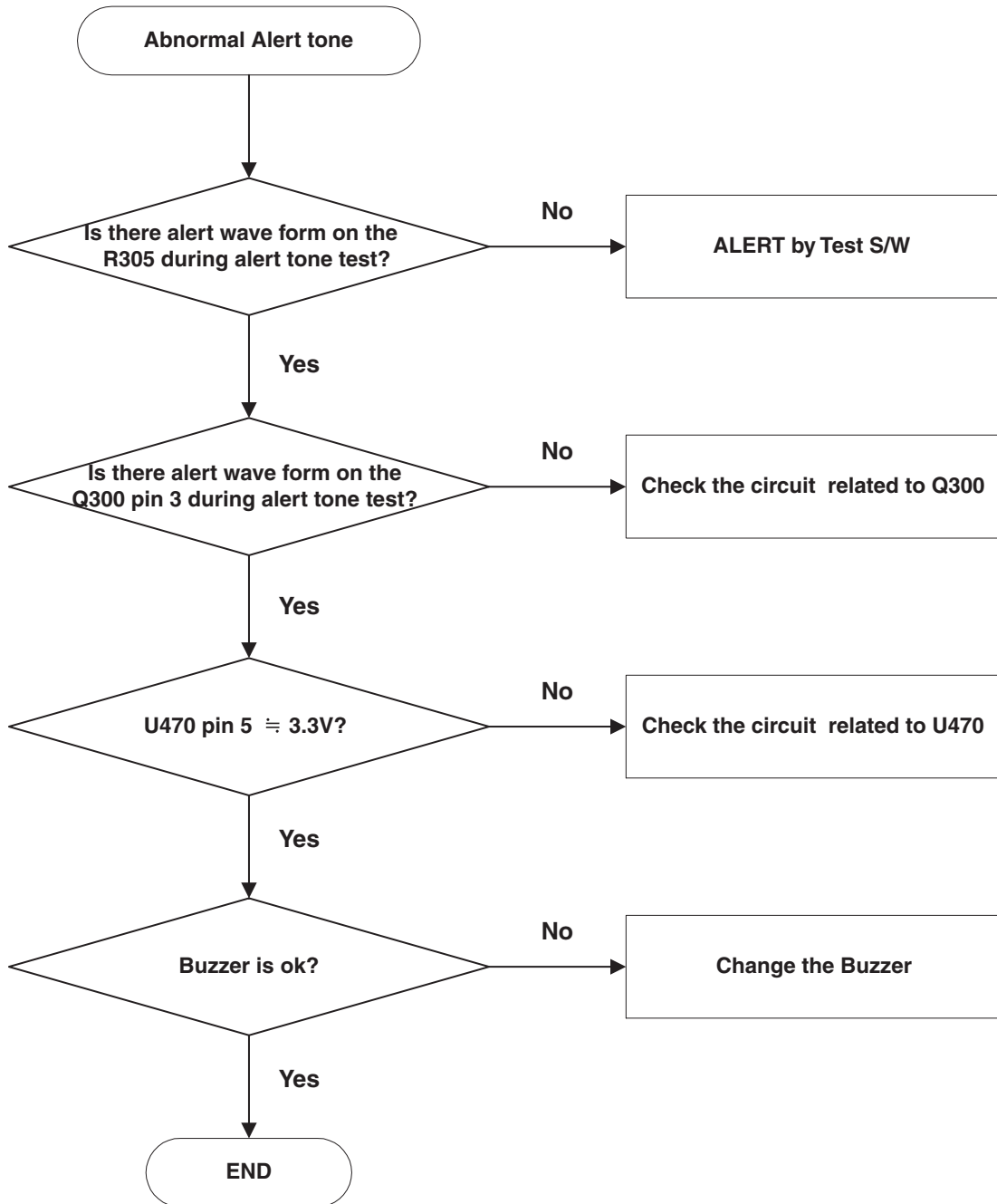


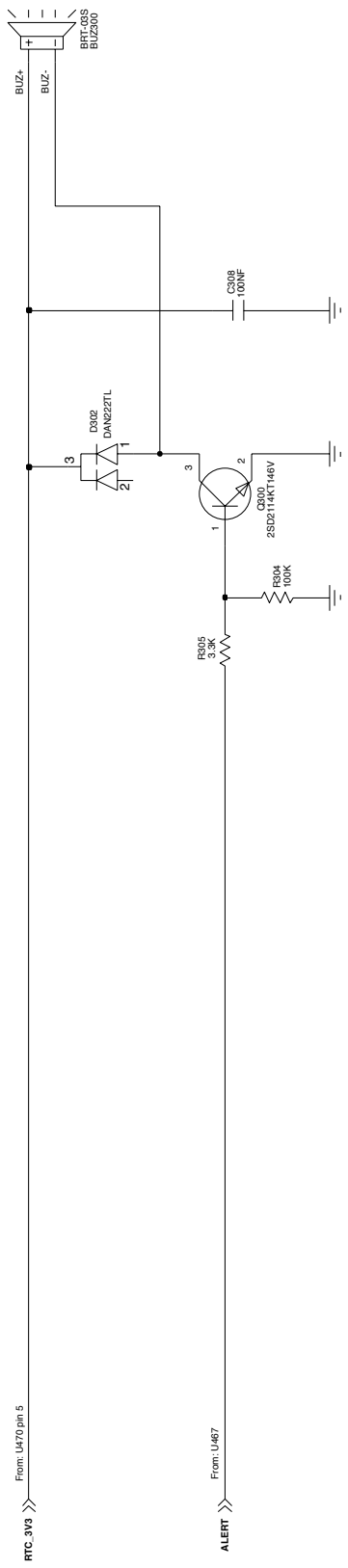


5-7 Key Data Input

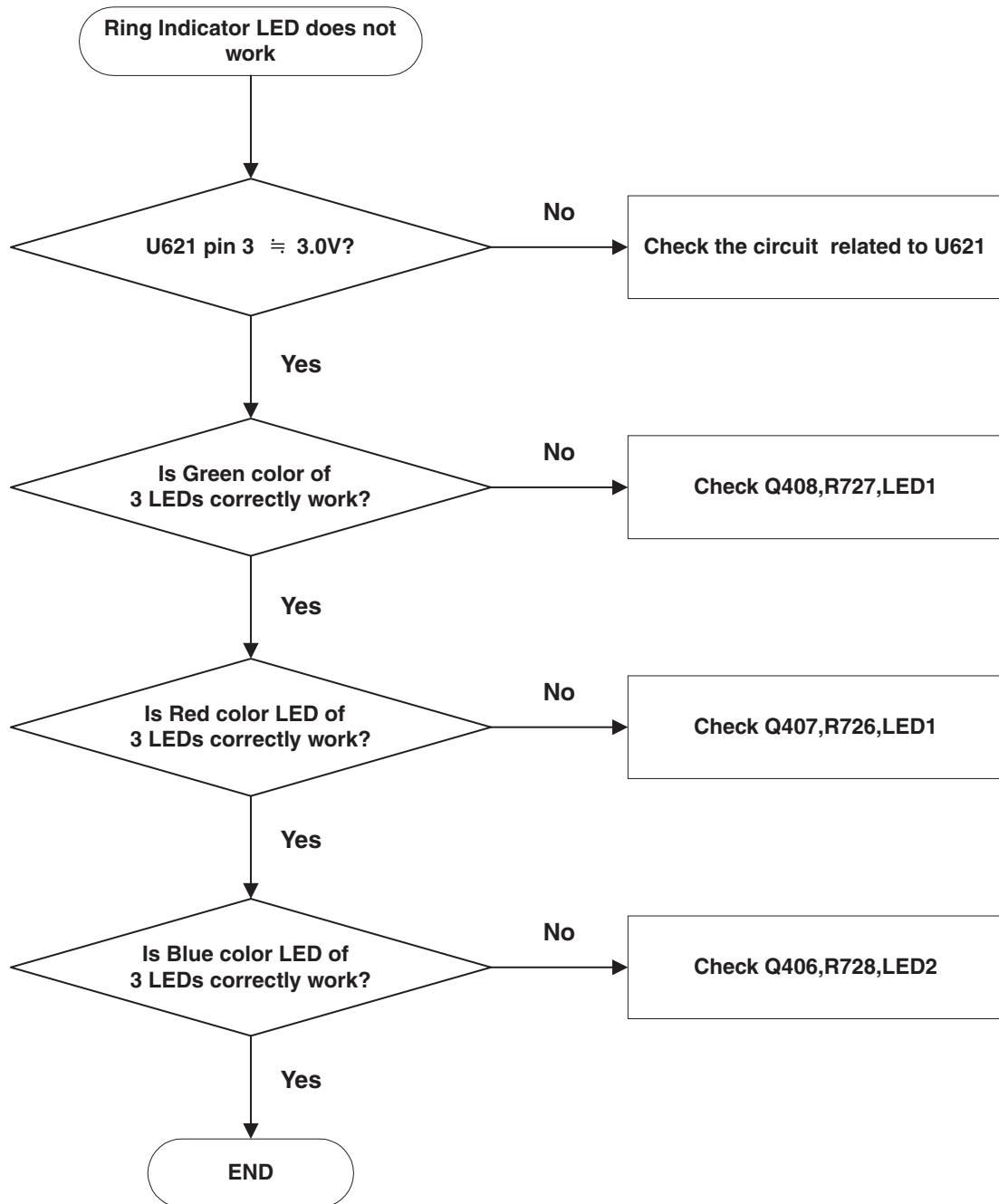


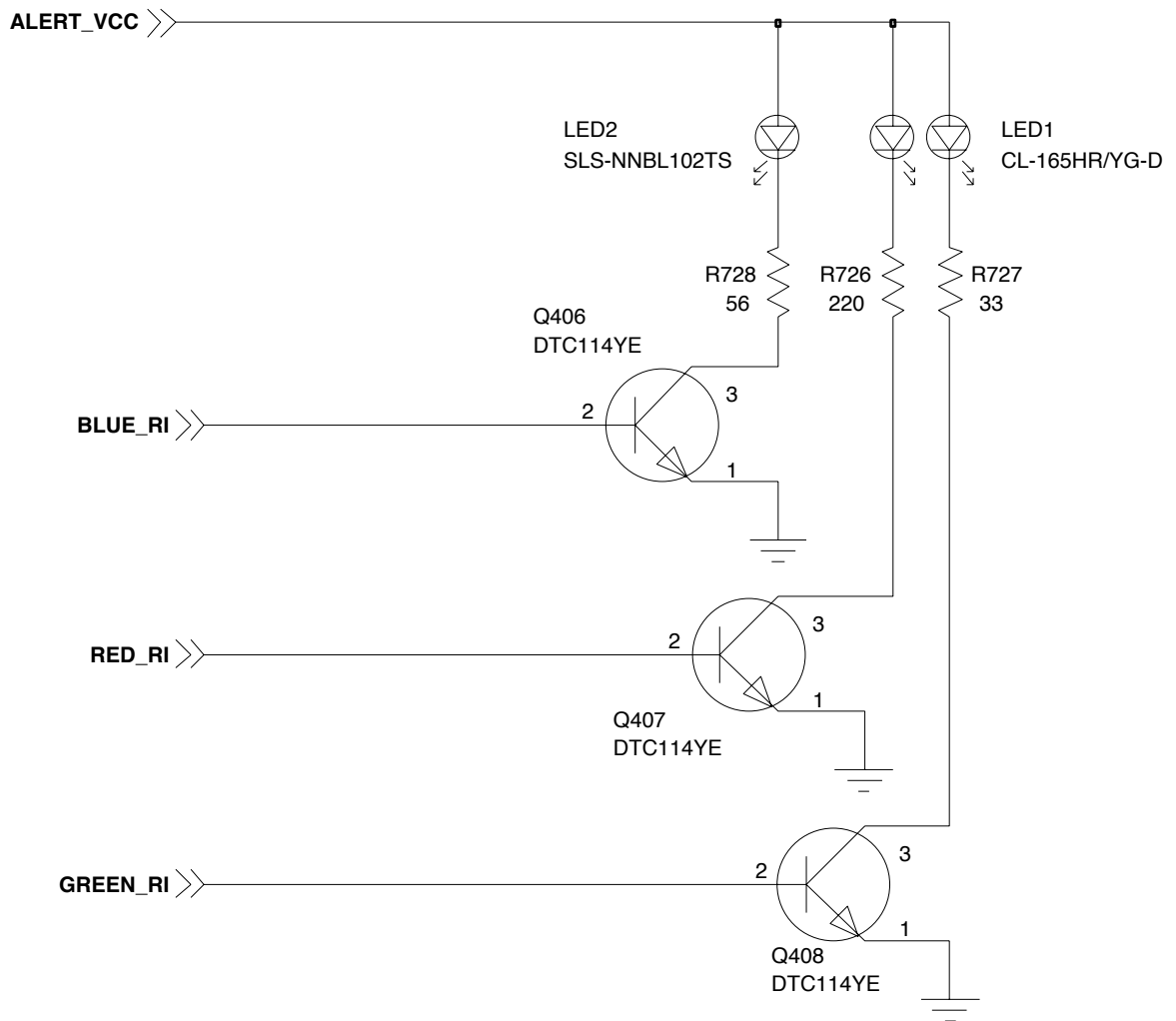
5-8 Alert Tone



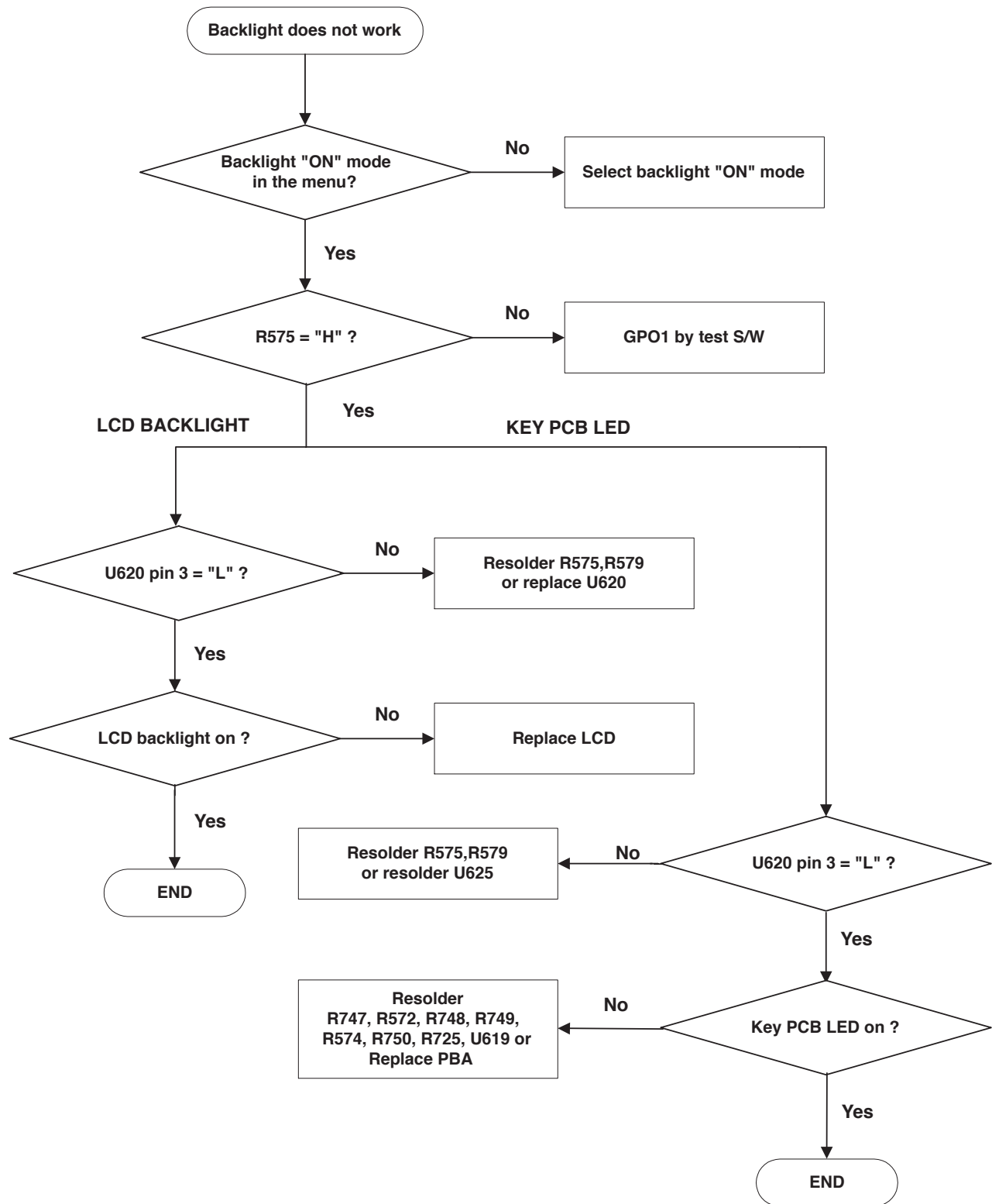


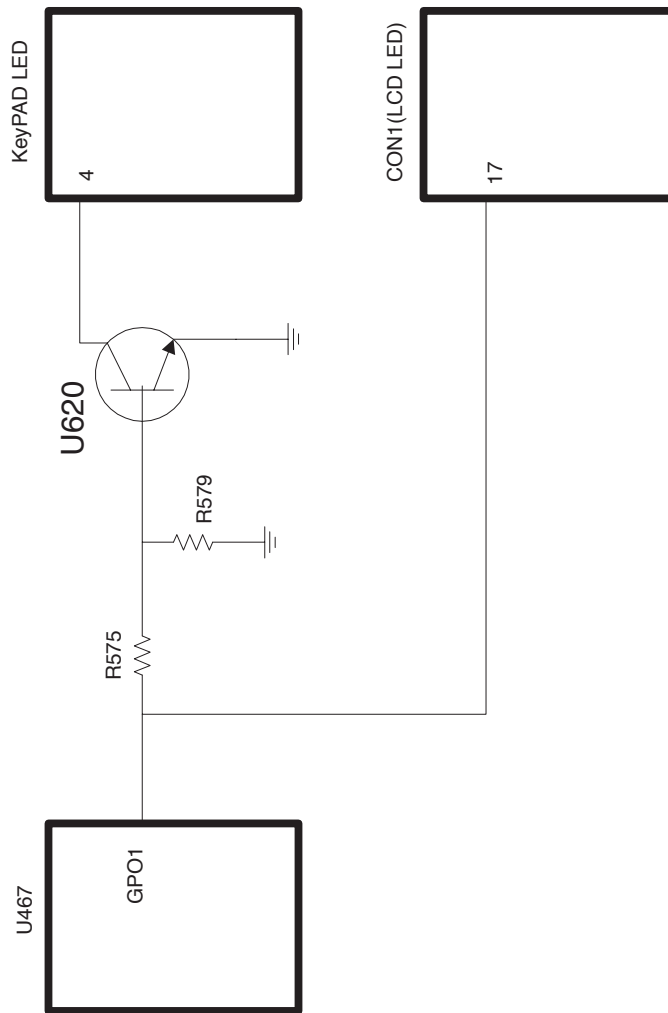
5-9 Ring Indicator



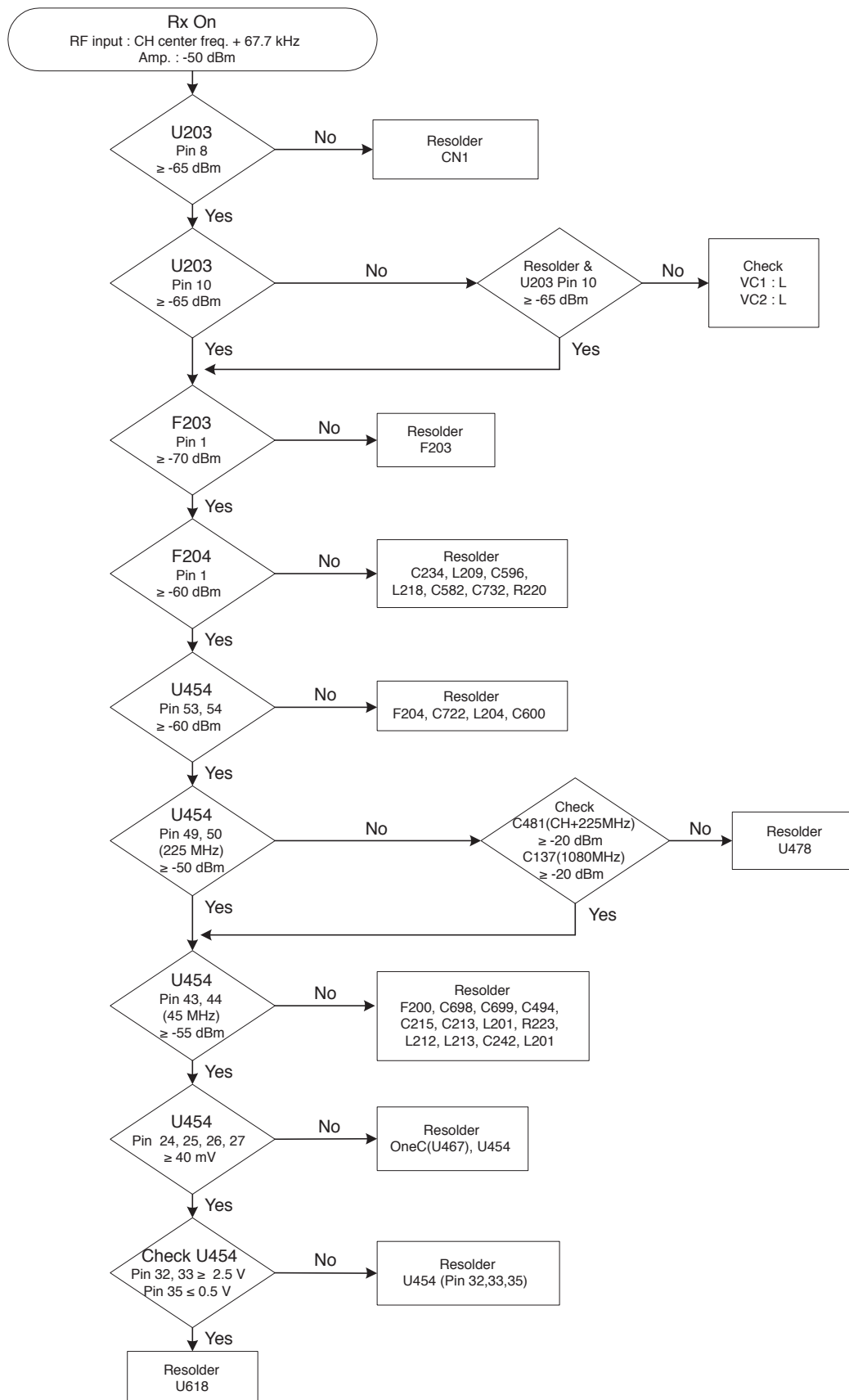


5-10 Back Light

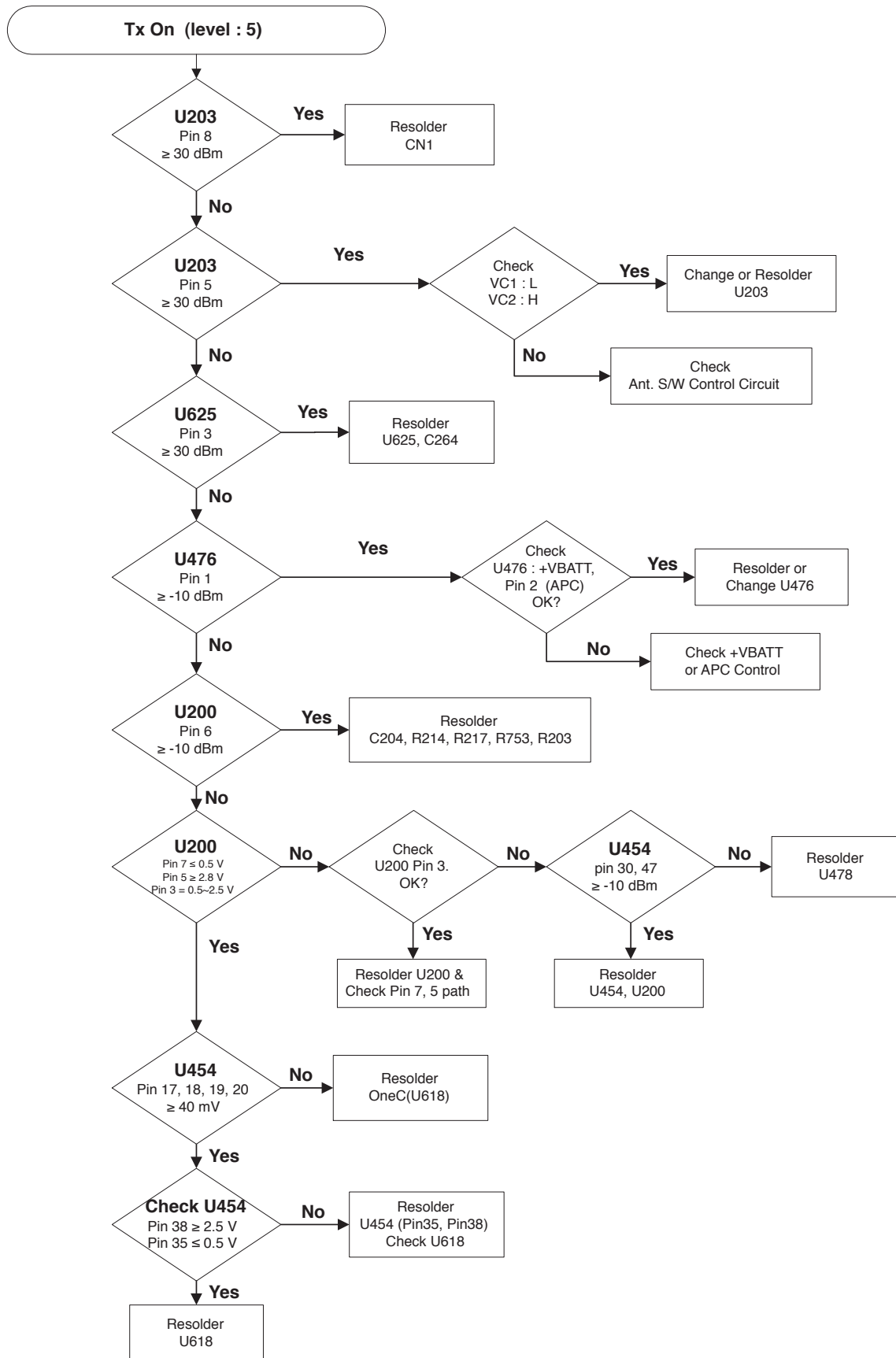




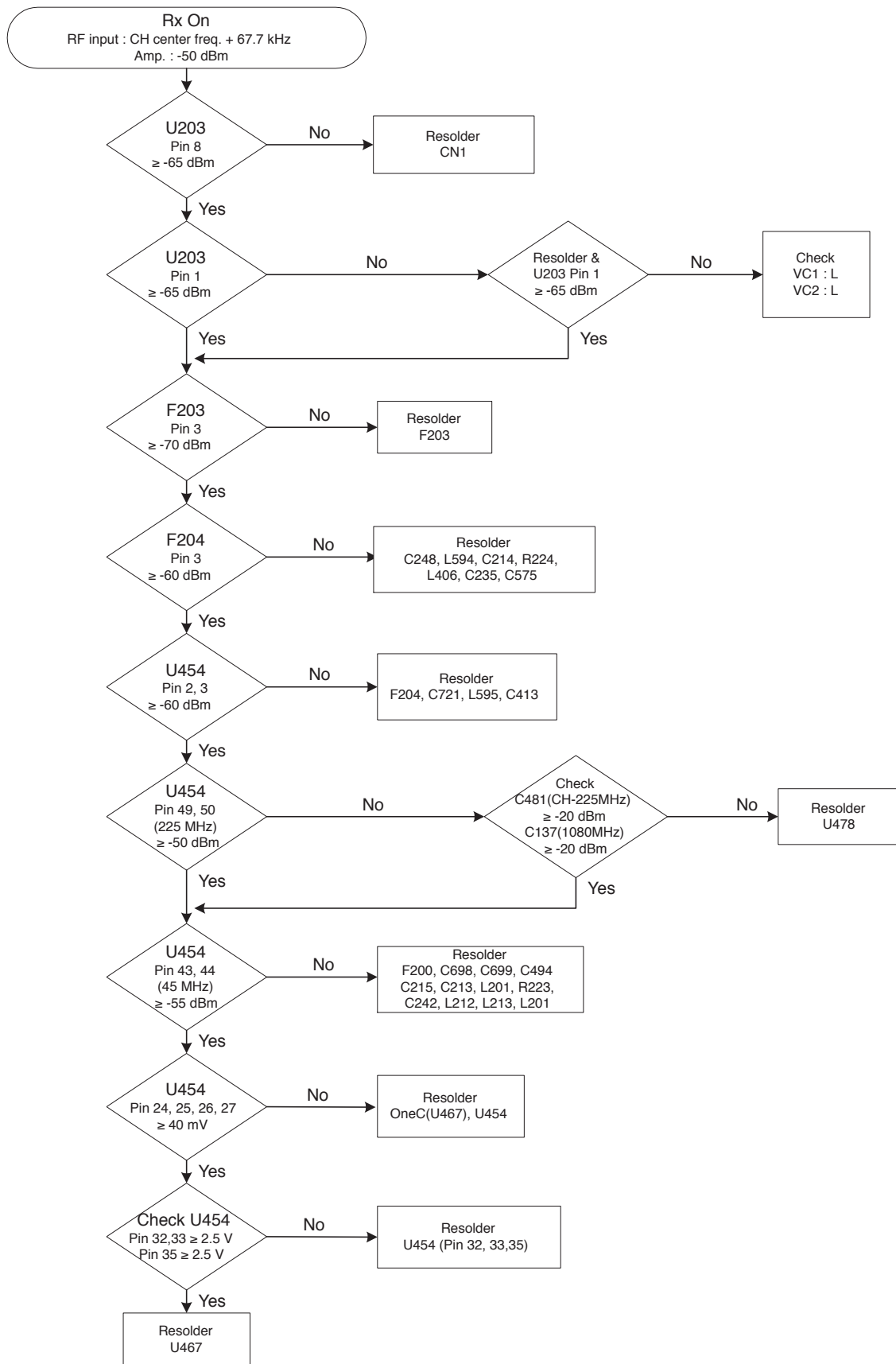
5-11 GSM Receiver



5-12 GSM Transmitter



5-13 DCS Receiver



5-14 DCS Transmitter

