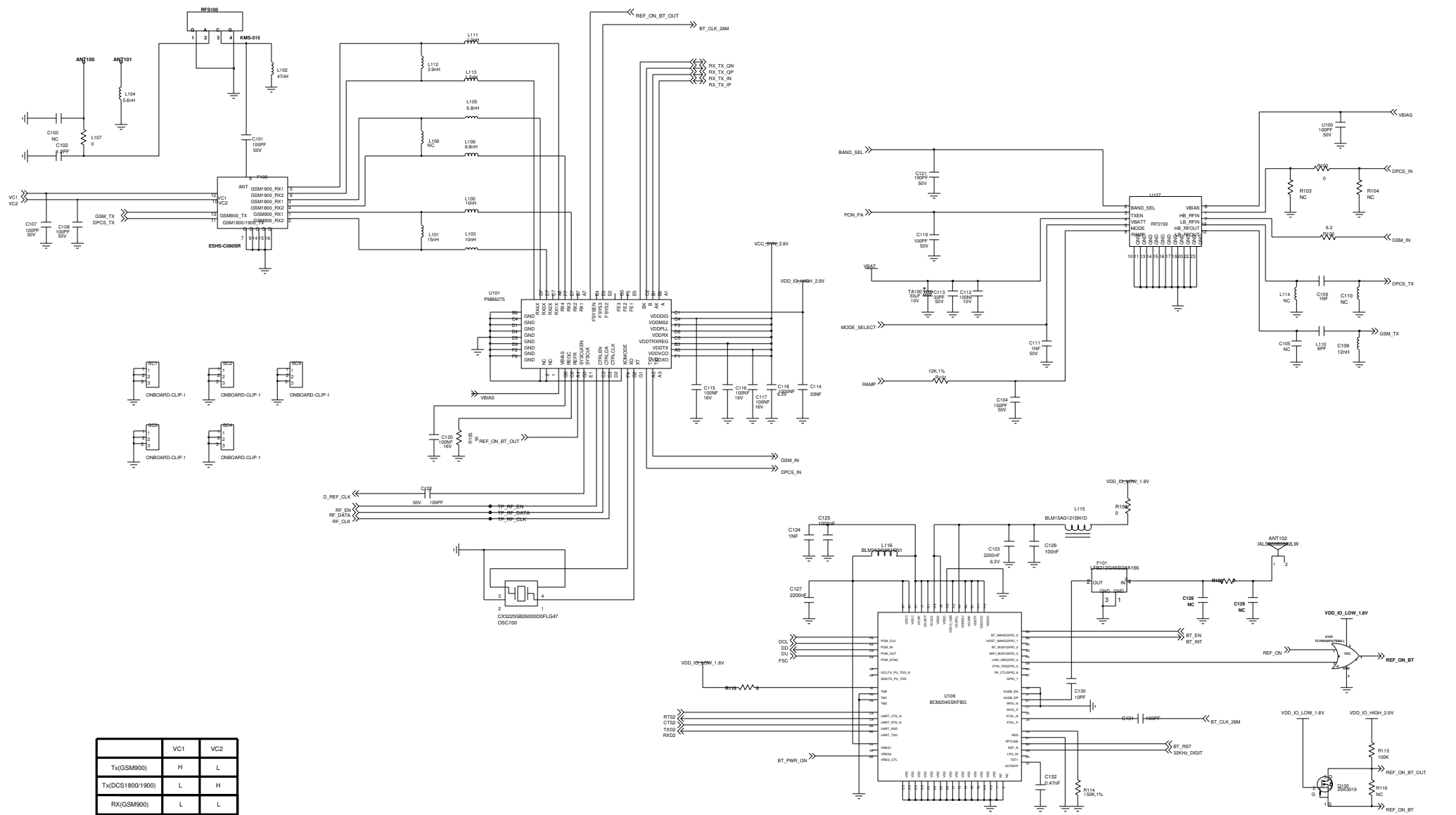


SAMSUNG CONFIDENTIAL
 THIS DOCUMENT CONTAINS CONFIDENTIAL
 PROPRIETARY INFORMATION THAT IS
 SAMSUNG ELECTRONICS CO.'S PROPERTY.
 DO NOT DISCLOSE TO OR DUPLICATE FOR OTHERS
 EXCEPT AS AUTHORIZED BY SAMSUNG.



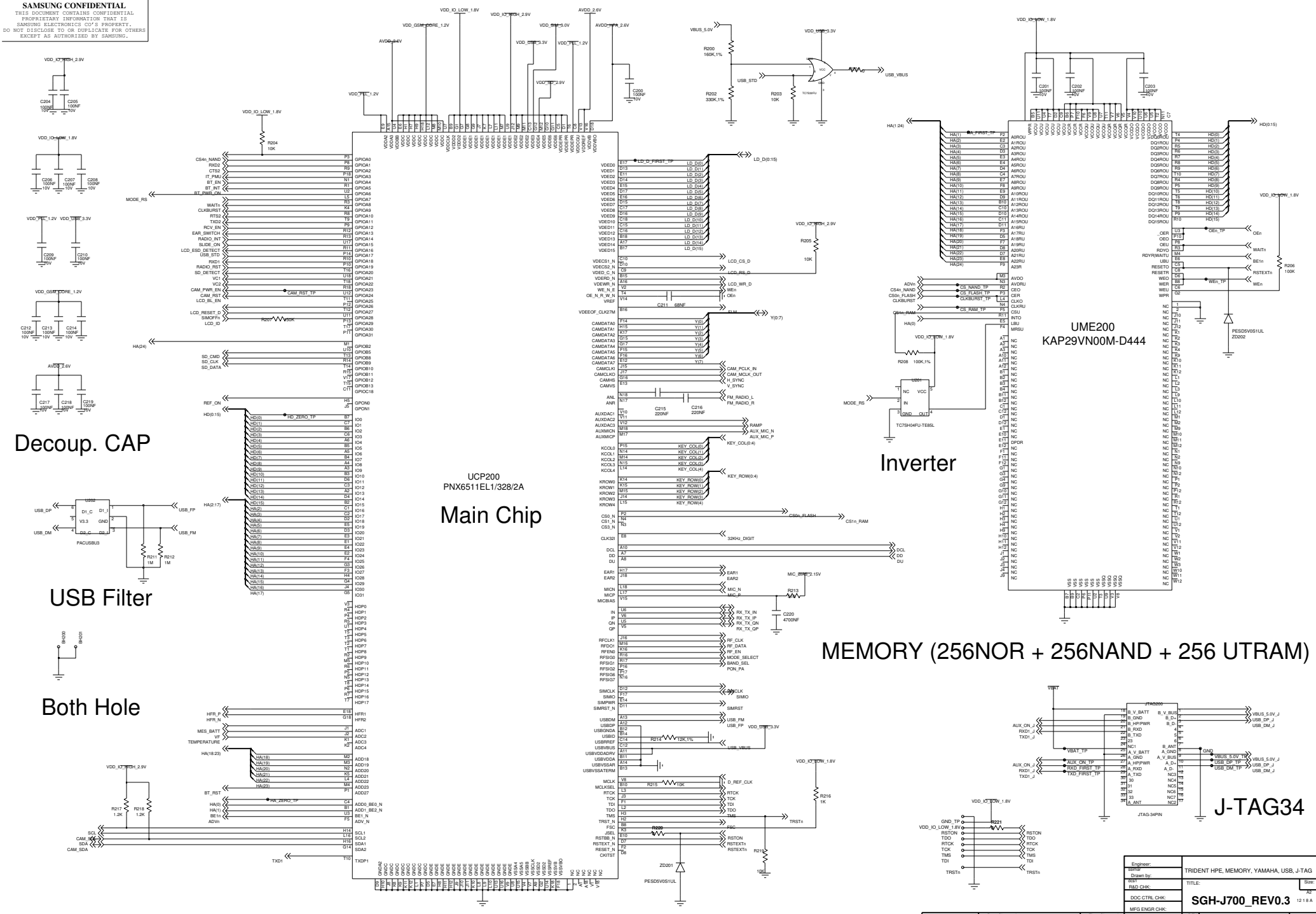
	VC1	VC2
Tx(GSM900)	H	L
Tx(DCS1800/1900)	L	H
Rx(GSM900)	L	L
Rx(DCS1800)	L	L
Rx(PCS1900)	L	L

Antenna S/W Control Circuit

BLUETOOTH

Engineer:	PAM & ANTENNA MODULE, RF-TRANSCIVER	
Drawn by:	BLUETOOTH, OSCILLATOR	
DOO CTRL CHK:	TITLE:	SGS
MFG EMSGR CHK:	SGH-J700_REV0.3	12.18 A

SAMSUNG CONFIDENTIAL
THIS DOCUMENT CONTAINS CONFIDENTIAL
PROPRIETARY INFORMATION THAT IS
SAMSUNG ELECTRONICS CO.'S PROPERTY.
DO NOT DISCLOSE TO OR DUPLICATE FOR OTHERS
EXCEPT AS AUTHORIZED BY SAMSUNG.



Decoup. CAP

USB Filter

Both Hole

UCP200
PNX6511EL1/328/2A
Main Chip

Inverter

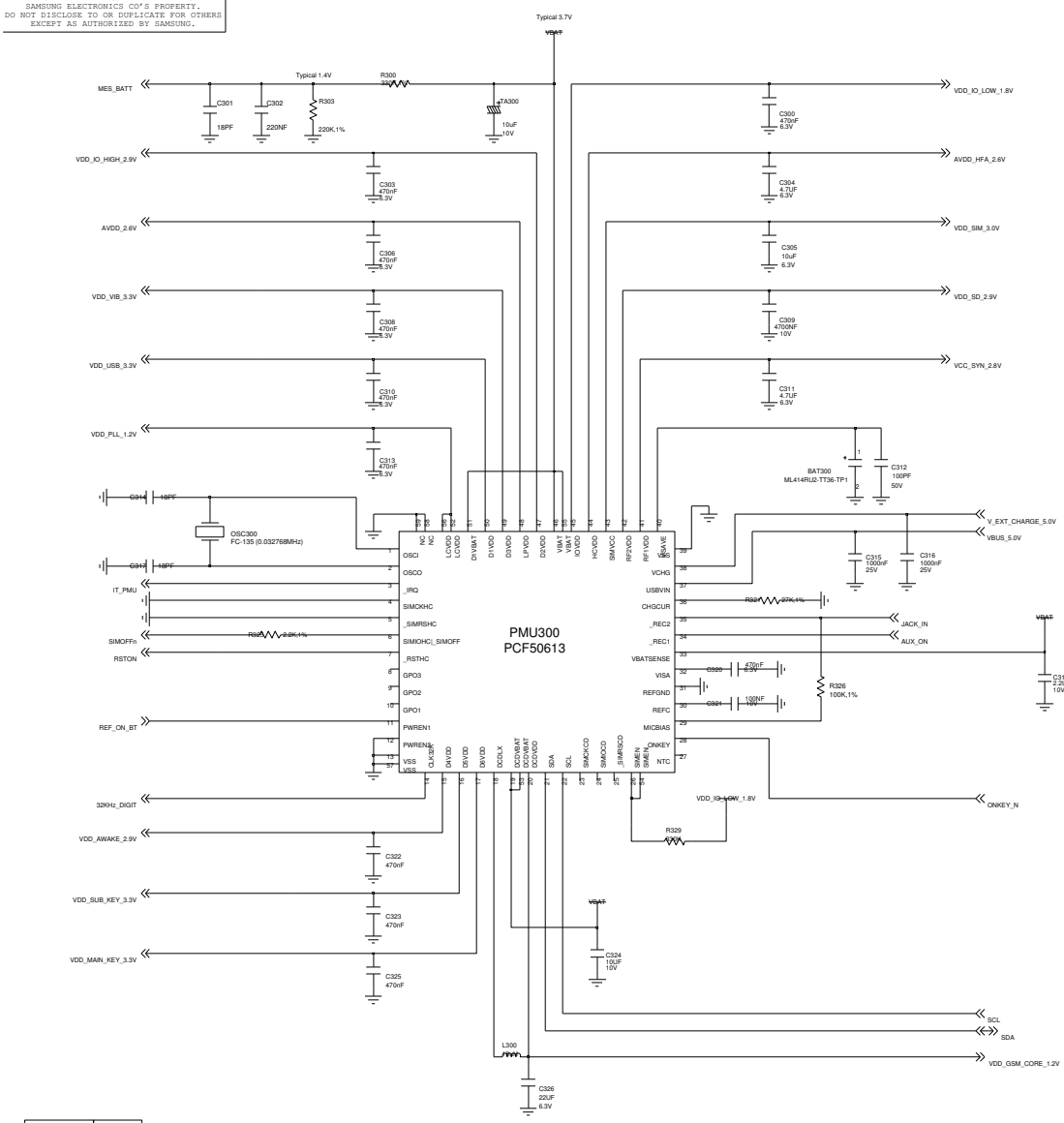
UME200
KAP29V00M-D444

MEMORY (256NOR + 256NAND + 256 UTRAM)

J-TAG34

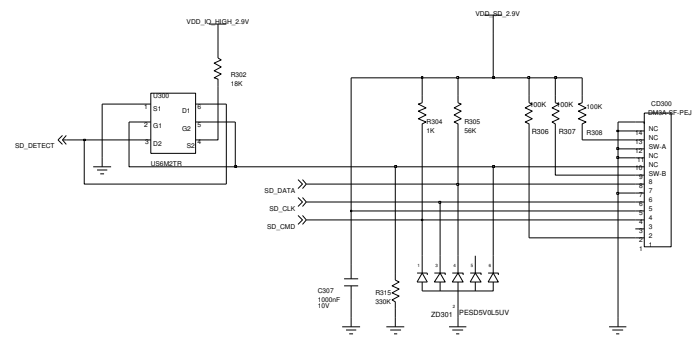
Engineer:	TRIDENT HPE, MEMORY, YAMAHA, USB, J-TAG	Scale:	
Drawn by:		DATE:	
Rev. No.:		REV:	
DOC CTRL CHK:	SGH-J700_REV0.3	12.18.A	
MFG EMGR CHK:			

SAMSUNG CONFIDENTIAL
 THIS DOCUMENT CONTAINS CONFIDENTIAL
 PROPRIETARY INFORMATION THAT IS
 SAMSUNG ELECTRONICS CO.'S PROPERTY.
 DO NOT DISCLOSE TO OR REPRODUCE FOR OTHERS
 EXCEPT AS AUTHORIZED BY SAMSUNG.

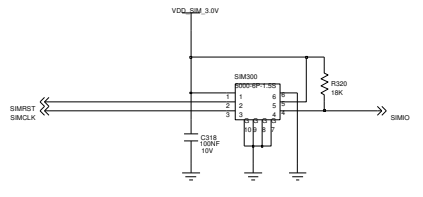


VDD_IQ_HIGH	2.9V
VDD_IQ_LOW	1.8V
VDD_VIB	3.3V
VDD_SLEEP	2.7V
AVDD	2.8V
AVDD_HFA	2.8V
VDD_SIM	3.0V
VCC_SYN	2.8V
VDD_GSM_CORE	1.2V
VDD_PLL	1.2V
SIM_VCC	3.0V
VDD_SD	2.9V
VDD_USB	3.3V
VDD_MAIN	3.3V
VDD_SUB	3.3V

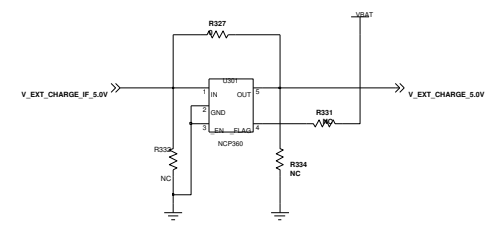
Power Management Unit



T-FLASH CON

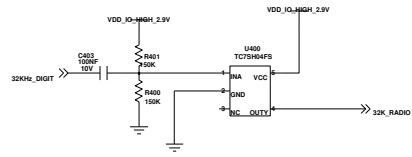


SIM CON

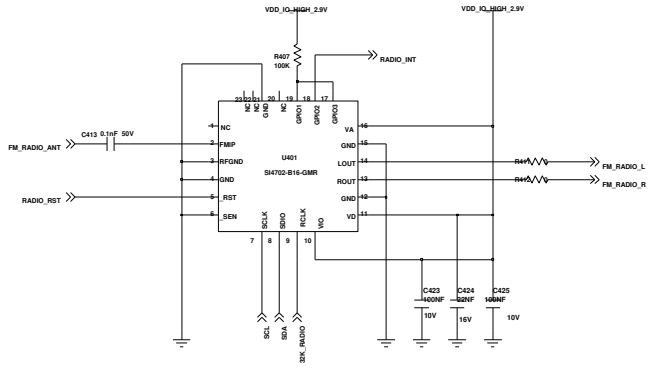


Charging Over-voltage Protection

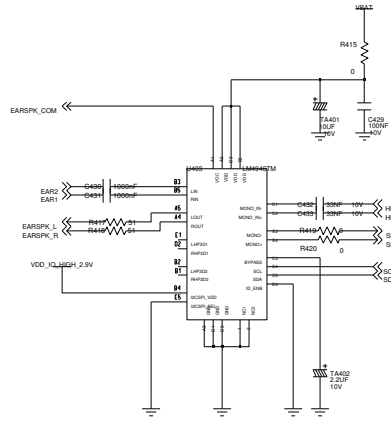
SAMSUNG CONFIDENTIAL
 THIS DOCUMENT CONTAINS CONFIDENTIAL
 PROPRIETARY INFORMATION THAT IS
 SAMSUNG ELECTRONICS CO.'S PROPERTY.
 DO NOT DISCLOSE TO OR DUPLICATE FOR OTHERS
 EXCEPT AS AUTHORIZED BY SAMSUNG.



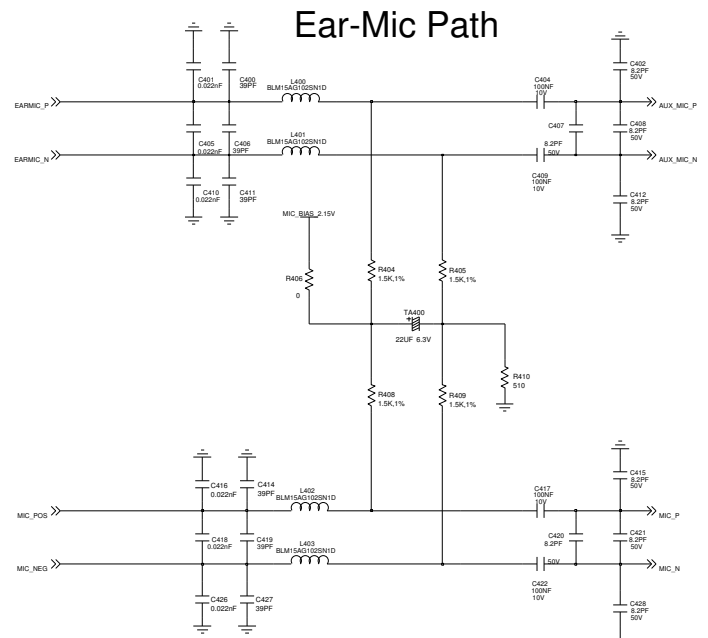
RADIO Clock Inverter



FM RADIO

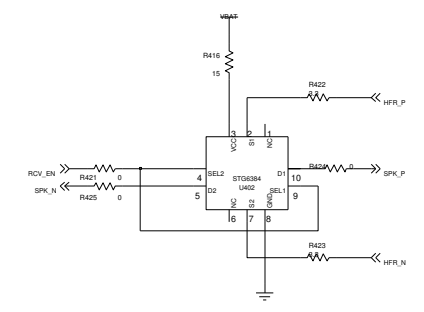


Audio AMP



Ear-Mic Path

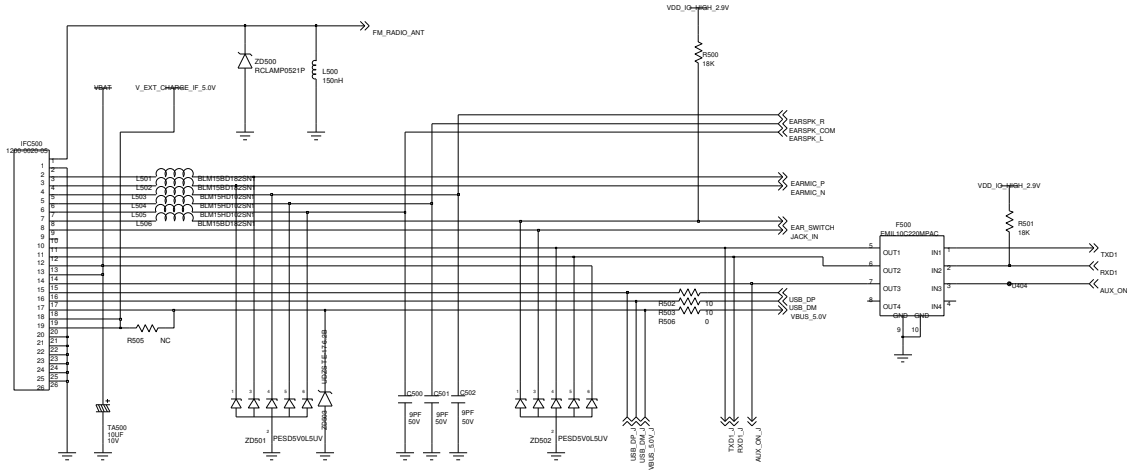
Main-Mic Path



A/N SW

Engineer:	AUDIO SW/AMP, MIC, SPK, MP3		
Drawn by:			
RAD CHK:	TITLE:	SGH-J700_REV0.3	
DOC CTRL CHK:	12.18.A		
MFG ENGR CHK:			

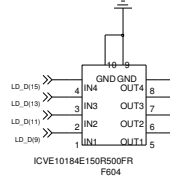
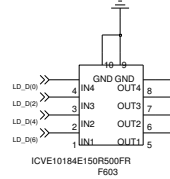
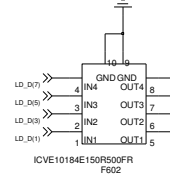
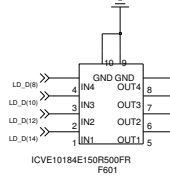
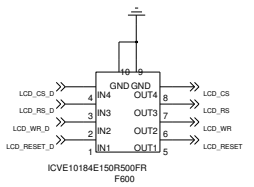
SAMSUNG CONFIDENTIAL
 THIS DOCUMENT CONTAINS CONFIDENTIAL
 PROPRIETARY INFORMATION THAT IS
 SAMSUNG ELECTRONICS CO.'S PROPERTY.
 DO NOT DISCLOSE TO OR DUPLICATE FOR OTHERS
 EXCEPT AS AUTHORIZED BY SAMSUNG.



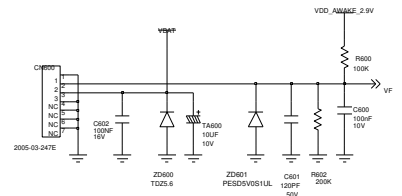
IF CON & Earjack

Engineer:	EAR/IF CON, BACKEND, ASP	
Drawn By:	TITLE:	Scale:
DESIGN CHK:	SGH-J700_REV0.3	12:18 A
DOE CTRL CHK:		
MFG ENGR CHK:	REV:	Page: 2

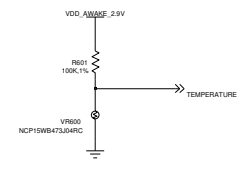
SAMSUNG CONFIDENTIAL
 THIS DOCUMENT CONTAINS CONFIDENTIAL
 PROPRIETARY INFORMATION THAT IS
 SAMSUNG ELECTRONICS CO.'S PROPERTY.
 DO NOT DISCLOSE TO OR DUPLICATE FOR OTHERS
 EXCEPT AS AUTHORIZED BY SAMSUNG.



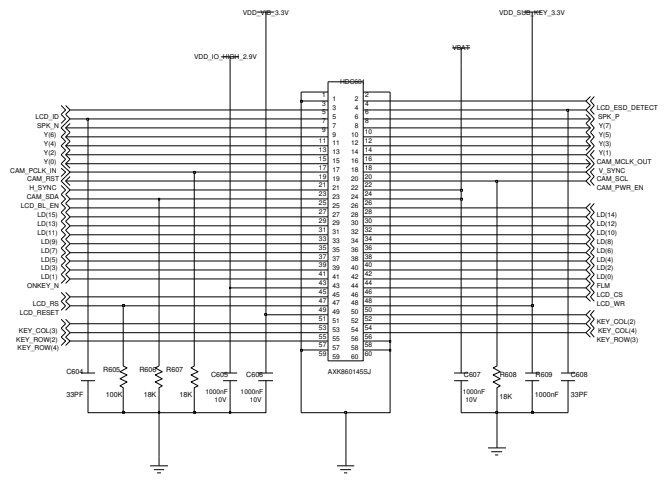
LCD Filter



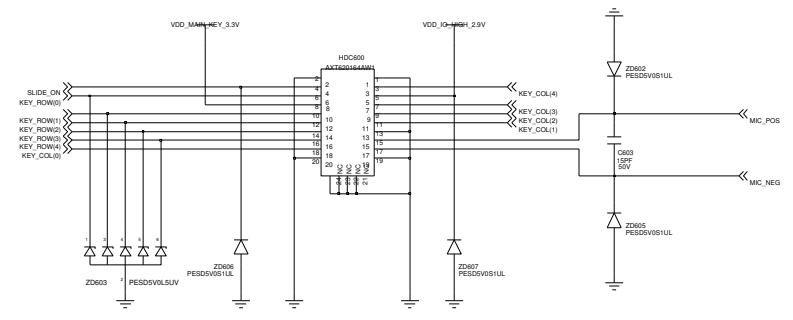
BAT CON



THERMISTER



SUB CON



Main Key CON

Engineer:	LCD_CON, CAM_CON, EMI FILTER		
Drawn by:	KEY_CON_OTHER		
YREQ CHK:	TITLE:		
DDG CTRL CHK:	SGH-J700_REV0.3		
MFG ENGR CHK:	REV:		
QA CHK:	REV:		
Changed by:	Date Changed:	Time Changed:	Page:
021	0705141611		12 18 A
			Page:
			2