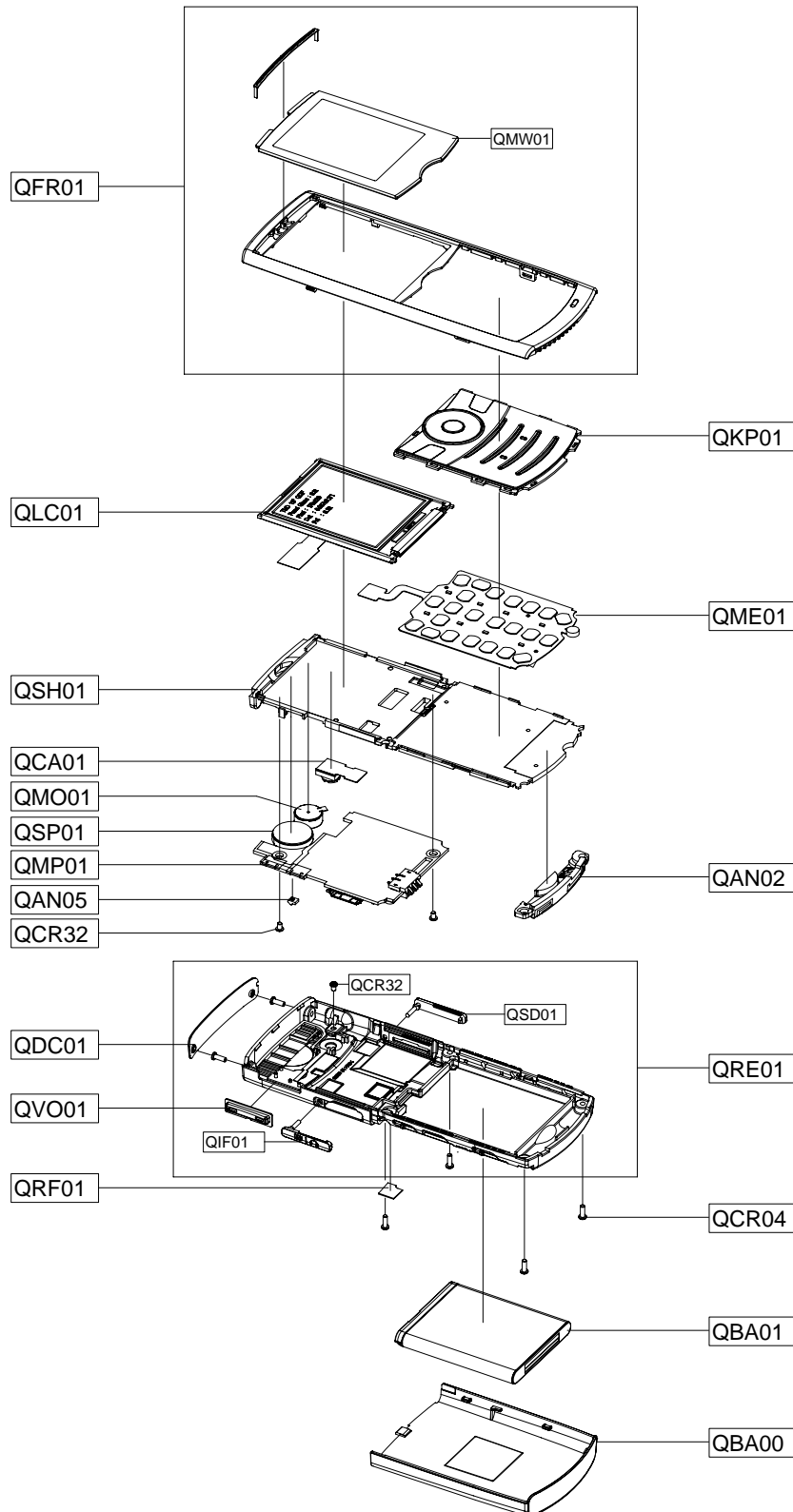


# 5. Exploded View and Parts List

## 5-1. Cellular phone Exploded View



## 5-2. Cellular phone Parts list

Design LOC	Description	SEC CODE
QAN02	INTENNA-SGHJ150	GH42-01499A
QAN05	ASSY RUBBER-ANTENNA	GH98-03075A
QBA00	PMO COVER-BATT	GH72-45682C
QBA01	INNER BATTERY PACK-800MAH , BL	GH43-02790A
QCA01	CAMERA MODULE-SGHJ150(1M)	GH59-05367A
QCR04	SCREW-MACHINE	6001-001479
QCR32	SCREW-MACHINE	6001-001700
QCR32	SCREW-MACHINE	6001-001700
QDC01	PMO COVER-DECO TOP	GH72-45687C
QFR01	ASSY CASE-FRONT	GH98-07620C
QIF01	PMO COVER-IF V2	GH72-46449C
QKP01	ASSY KEYPAD-MAIN(SER/SIL)	GH98-08116A
QLC01	ELA ETC-SGHJ150 LCD MODULE	GH96-02959A
QME01	KEY FPCB-MAIN KEY PBA(J150)	GH59-05429A
QMO01	MOTOR DC-SPHM500	GH31-00242A
QMP01	PBA MAIN-SGHJ150	GH92-04423A
QMW01	ASSY COVER-MAIN WINDOW	GH98-07667A
QRE01	ASSY CASE-REAR	GH98-07619C
QRF01	TAPE-RF COVER	GH74-37529C
QSD01	PMO COVER-MICRO SD V2	GH72-46447C
QSH01	ASSY BRACKET-SHIELD	GH98-07279A
QSP01	SPEAKER	3001-002336
QVO01	PMO KEY-VOLUME	GH72-45686C