

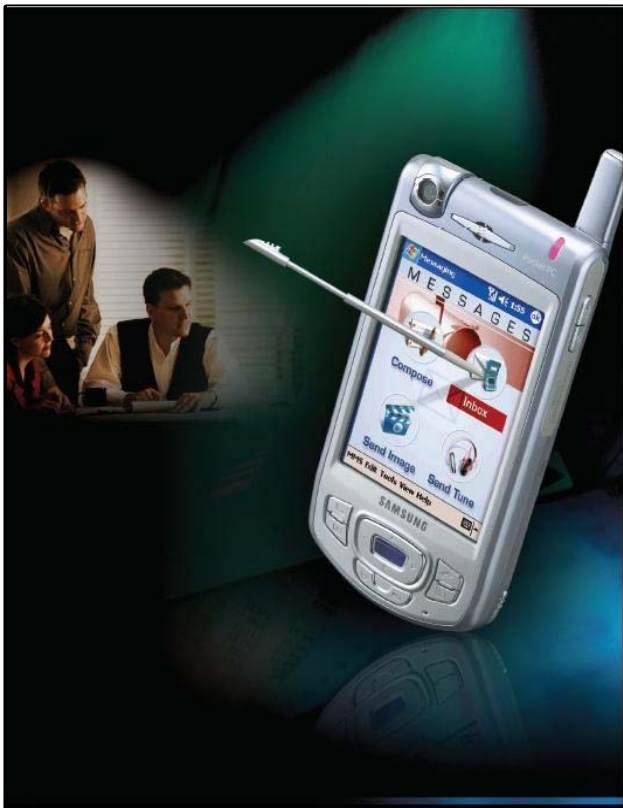
**SAMSUNG**

# GSM TELEPHONE

## SGH-i700

# ***SERVICE*** *Manual*

GSM TELEPHONE



CONTENTS

1. Specification
2. Flow Chart of Troubleshooting
3. Exploded Views and Parts List
4. Electrical Parts List
5. Block Diagrams
6. PCB Diagrams

---

# 1. SGH-i700 Specification

---

## 1.1 PDA specification

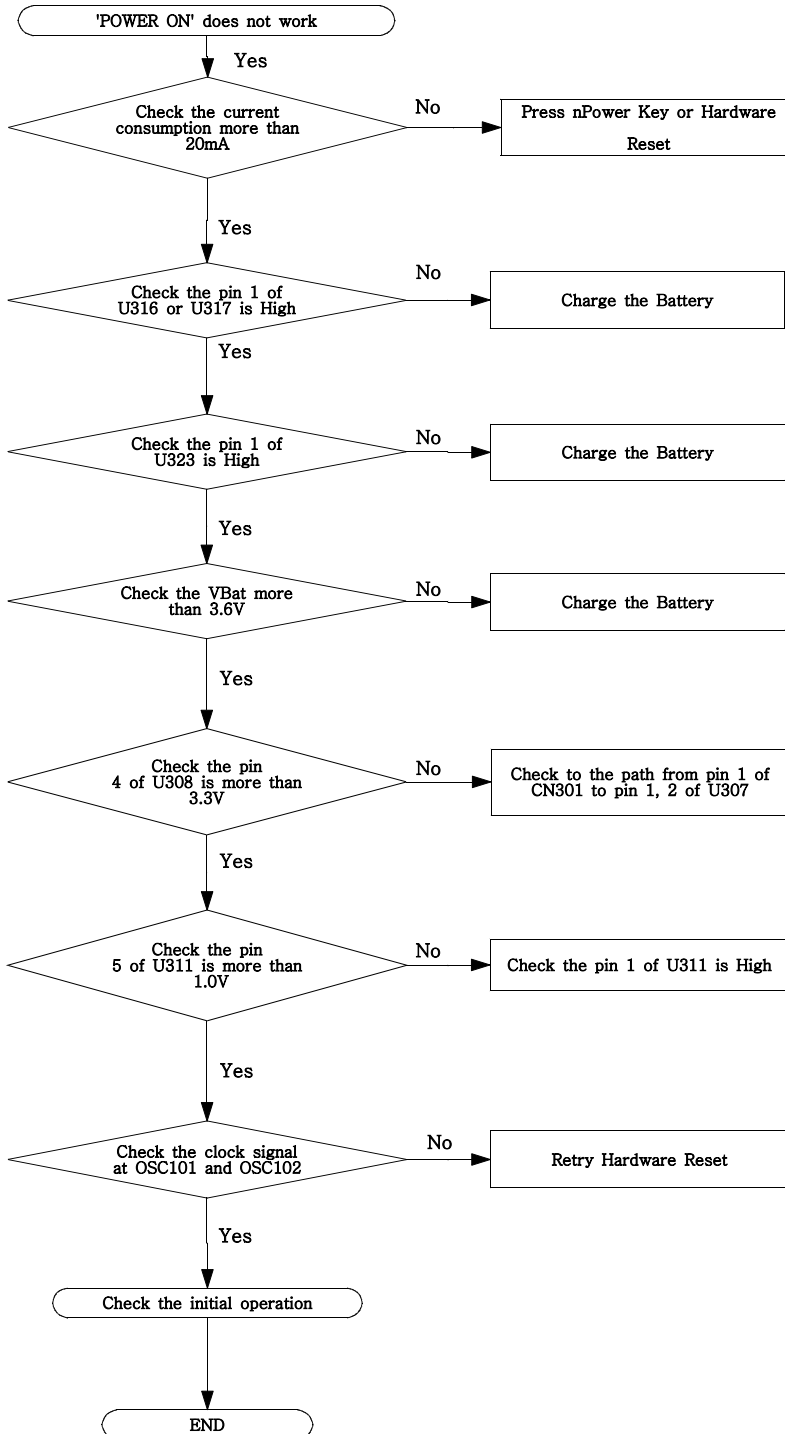
| Parts Name  |        | Description  | Note |
|-------------|--------|--|------|
| CPU         |        | PXA255<br>Core : Intel(r) Xscale(TM)<br>Core Frequencies : 100 ~ 400 MHz<br>Clock : 3.6864 MHz, 32,768 KHz |      |
| Memory      | ROM    | RD48F3300LOZDQ0, Flash Memory, 16M * 32 Bit  |      |
|             | RAM    | K4M513233, SDRAM, 4 Bank, 16M * 32 Bit   |      |
| LCD         |        | Resolution : 240 * 320   |      |
| Audio CODEC |        | WM9705, 18-bit stereo audio, 4-wire touch screen   |      |
| Melody      |        | YMU762, 40 poly  |      |
| SD Card     |        | SPI Mode   |      |
| Camera      |        | 1/4" VGA CMOS Color Image Sensor, 640 * 480 Pixels,<br>SPI Mode  |      |
| JTAG        |        | IEEE 1149.1 Portocol support, Flash Programming Control  |      |
| Ethernet    |        | Flash Programming Control  |      |
| UART        |        | RS-232C  |      |
| IrDA        |        | STUART;s transmit and receive  |      |
| Battery     | Main   | Standard/Extend Capacitance : 1050/2000mA  |      |
|             | Backup | Capacitance : 30mA   |      |
| Speaker     |        | Impedance : 8 $\Omega$ , Size : $\Phi$ 20 mm * 4.6t  |      |
| Receiver    |        | Impedance : 32 $\Omega$ , Size : $\Phi$ 12 mm * 3.2t   |      |
| Motor       |        | RPM 7000 ~12000, Size : $\Phi$ 14 mm * 3.4t  |      |
| Key Matrix  |        | 4 * 4  |      |

1.2 Phone Specification

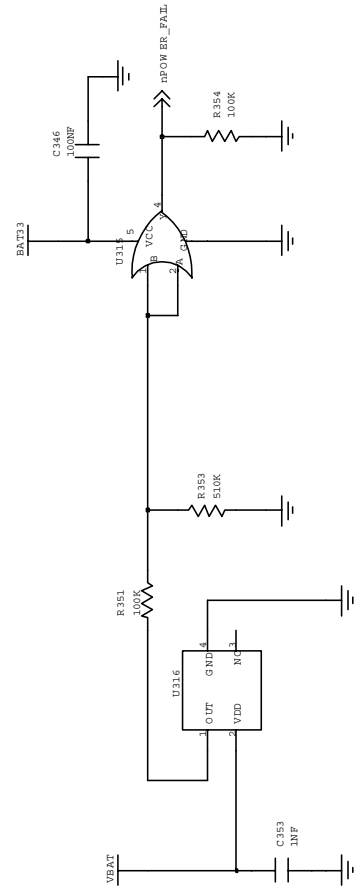
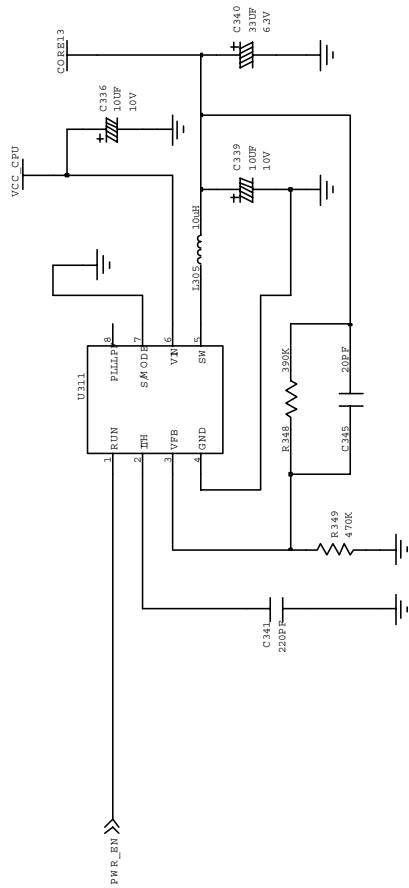
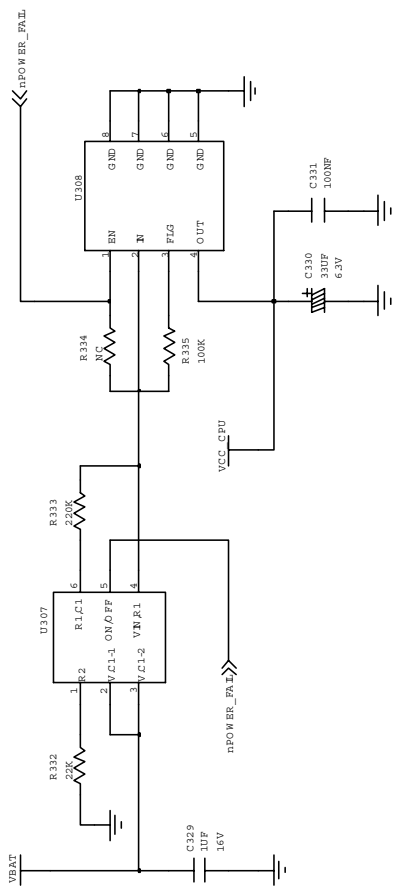
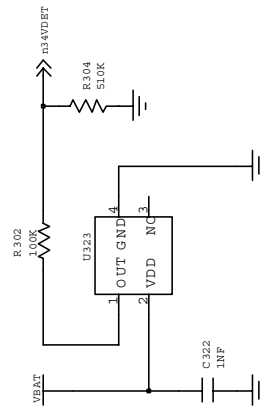
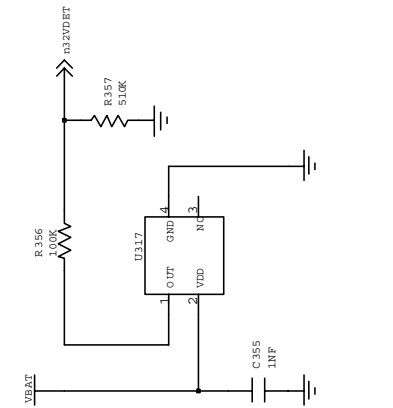
| Parts Name     | Description  | Note |
|----------------|--|------|
| CPU            | Trident EF version<br>Core : DSP16000/ARM7IDM<br>DSP Core : RAM(20k * 16), ROM(144K * 16)<br>ARM CORE : RAM(4K * 32), ROM(2K * 32)<br>Clock : 13 MHz, 32,768 KHz   |      |
| Memory         | LRS1826A<br>ROM : 4M * 16 Bit * 2<br>RAM : 2M * 16 Bit   |      |
| PMIC           | Single-cell Li-Ion Charger, SIU, LED Driver<br>Power-On/Off and reset control logic<br>8-bit ADC, Seven programmable low-drop-out regulators<br>1.8/3.0V SIM power supply and logic level translators              |      |
| CODEC          | Supports GSM 2+ new feature : multislotting( GPRS and HSCSD)<br>ADC and DAC function for baseband and voice band<br>DAI(digital audio interface)<br>32.768 clock on-chip oscillator<br>GMSK modulator(88/144 bits) |      |
| RF Transceiver | Low-IF Receiver, Universal Baseband Interface<br>Offset-PLL Transmitter<br>Dual RF Synthesizer, GPRS Class 12 Compliant<br>Serial Interface<br>Dual and Triple-Band<br>Support(GSM850/E-GSM900/DCS1800/PCS1900)    |      |
| PAM            | Complete Power Control Solution<br>Single 2.9V to 5.5V Supply Voltage<br>GSM, E-GSM and DCS/PCS<br>Products/GPRS Class 12 Compatible<br>+ 35dBm GSM Output Power at 3.5V/ + 33dBm DCS/PCS Output<br>Power at 3.5V  |      |
| Diplexer       | GSM : 897.50 ± 17.5 MHz<br>DCS : 1747.50 ± 37.5 MHz<br>GSM : 1880.00 ± 30.0 MHz  |      |
| JTAG           | IEEE 1149.1 Protocol Support, Flash Programming Control  |      |
| UART           | RS-232C  |      |

## 2. SGH-i700 Flow Chart of Troubleshooting

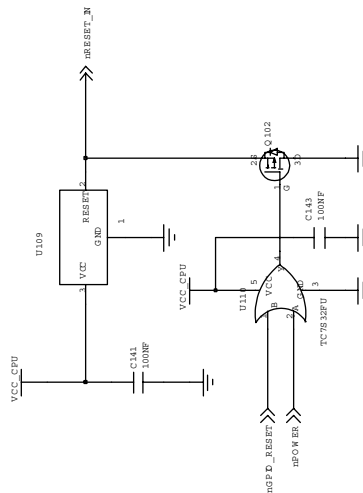
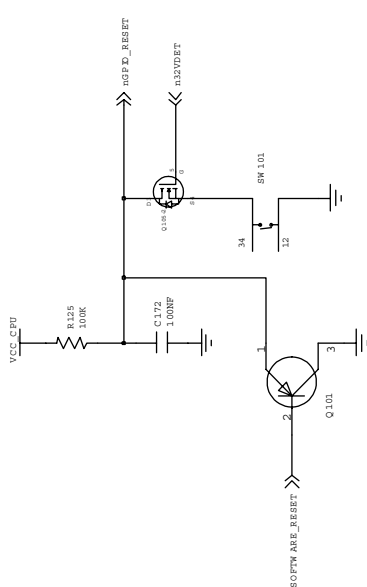
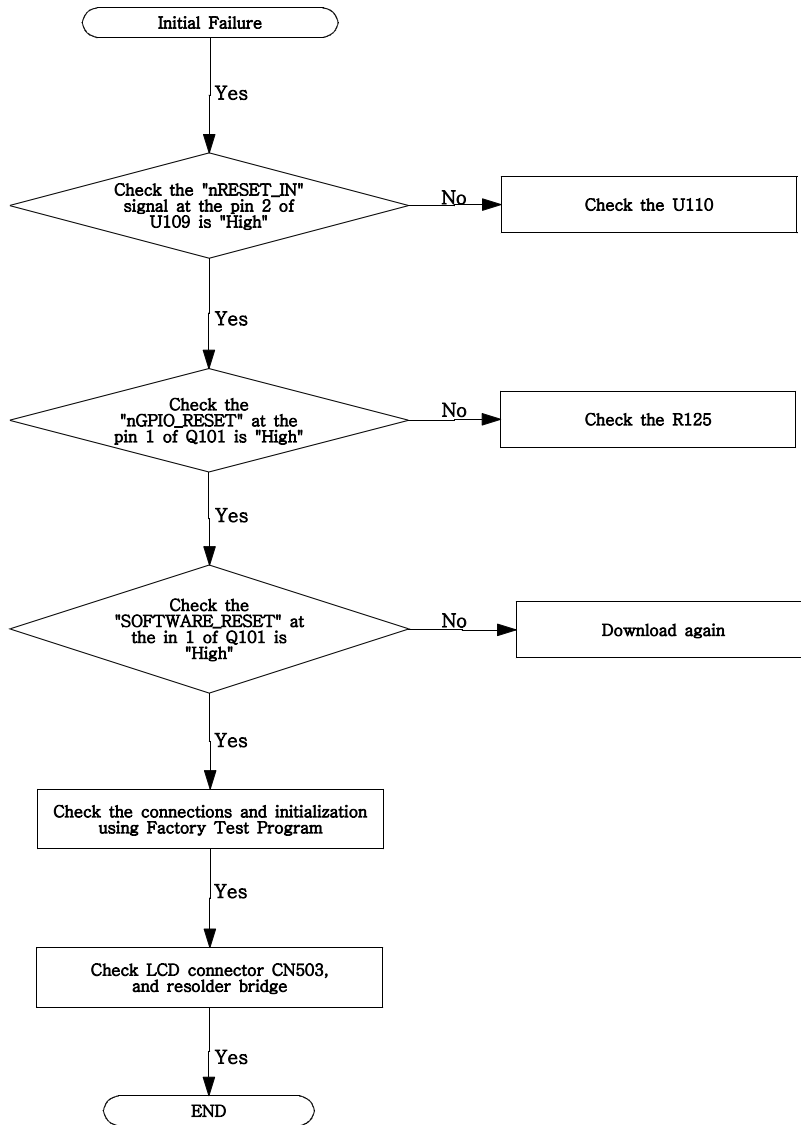
### 1.Power On



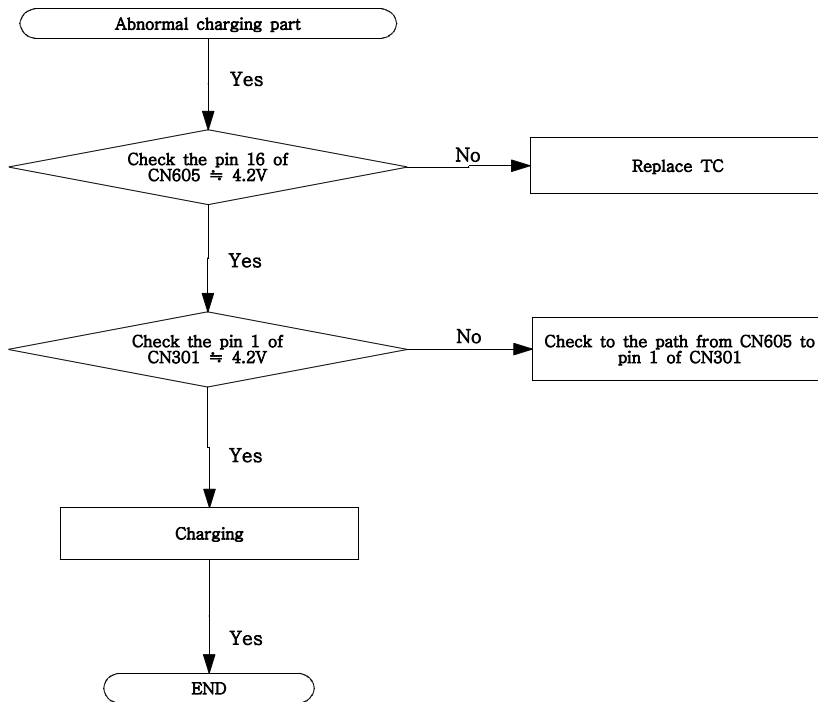
# SGH-I700 Flow Chart of Troubleshooting



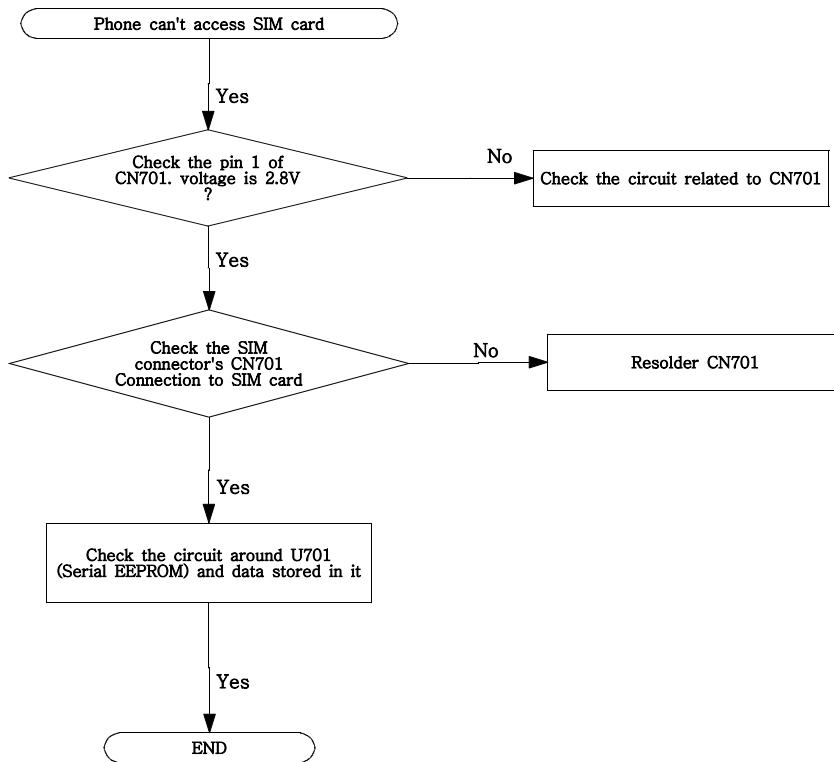
2. Initial part



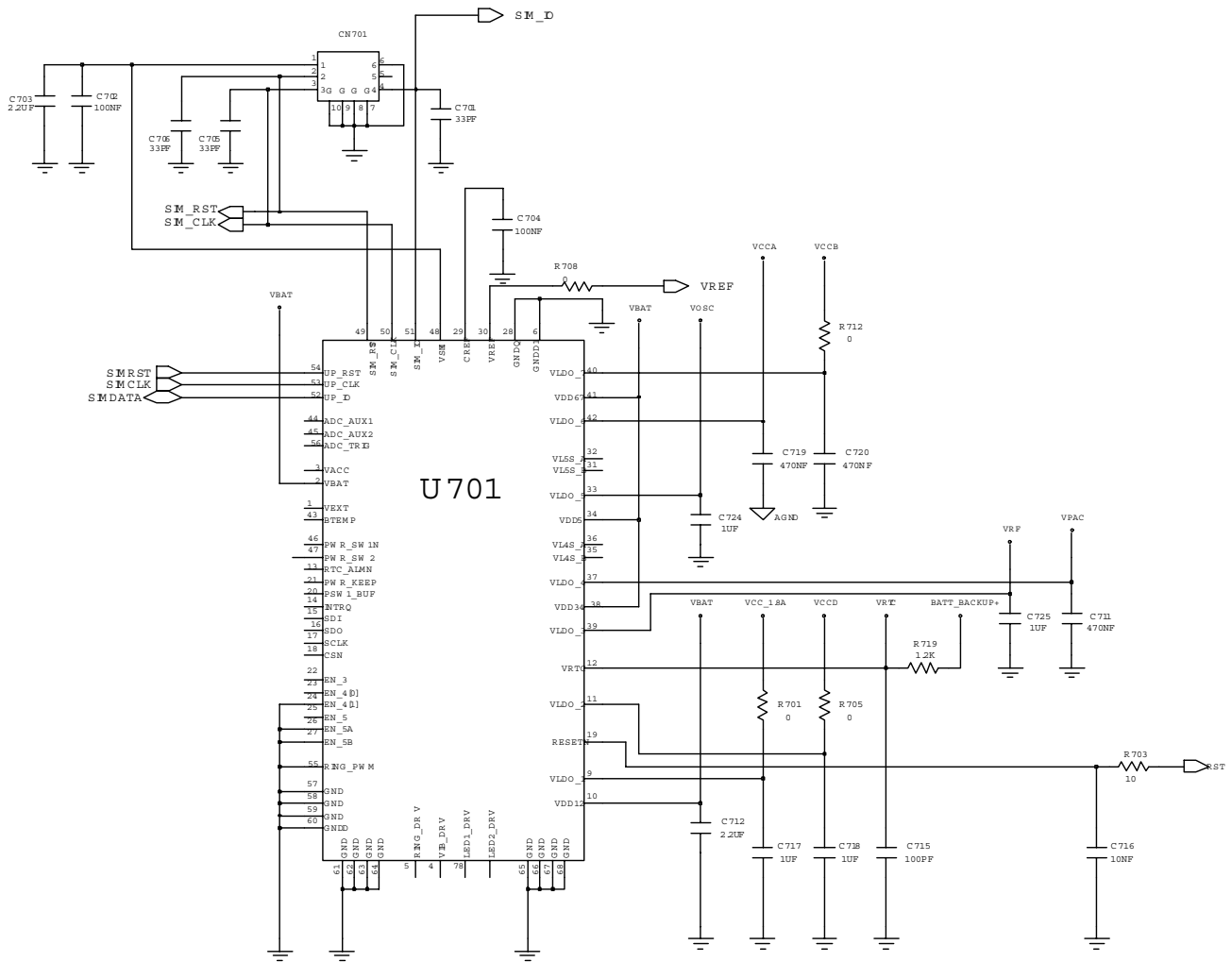
3. Charge Part



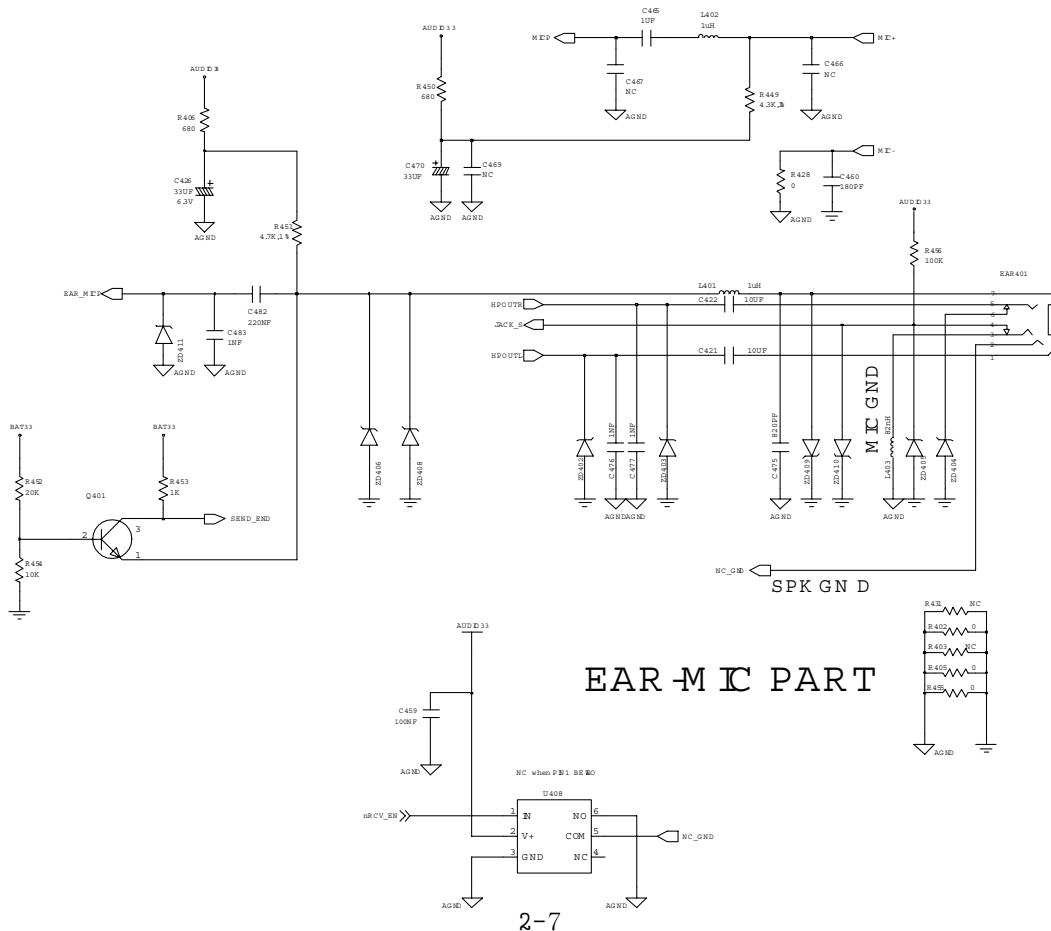
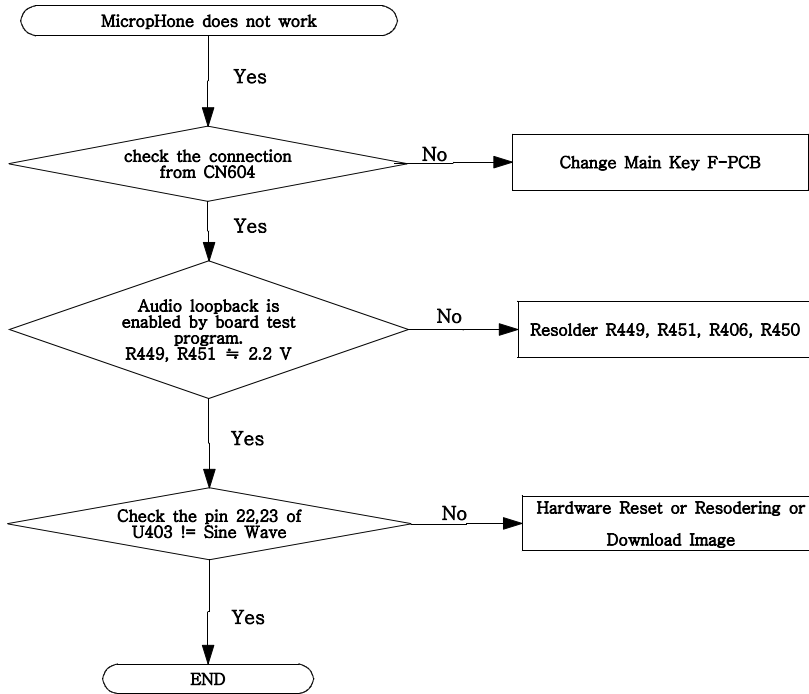
4. SIM Part



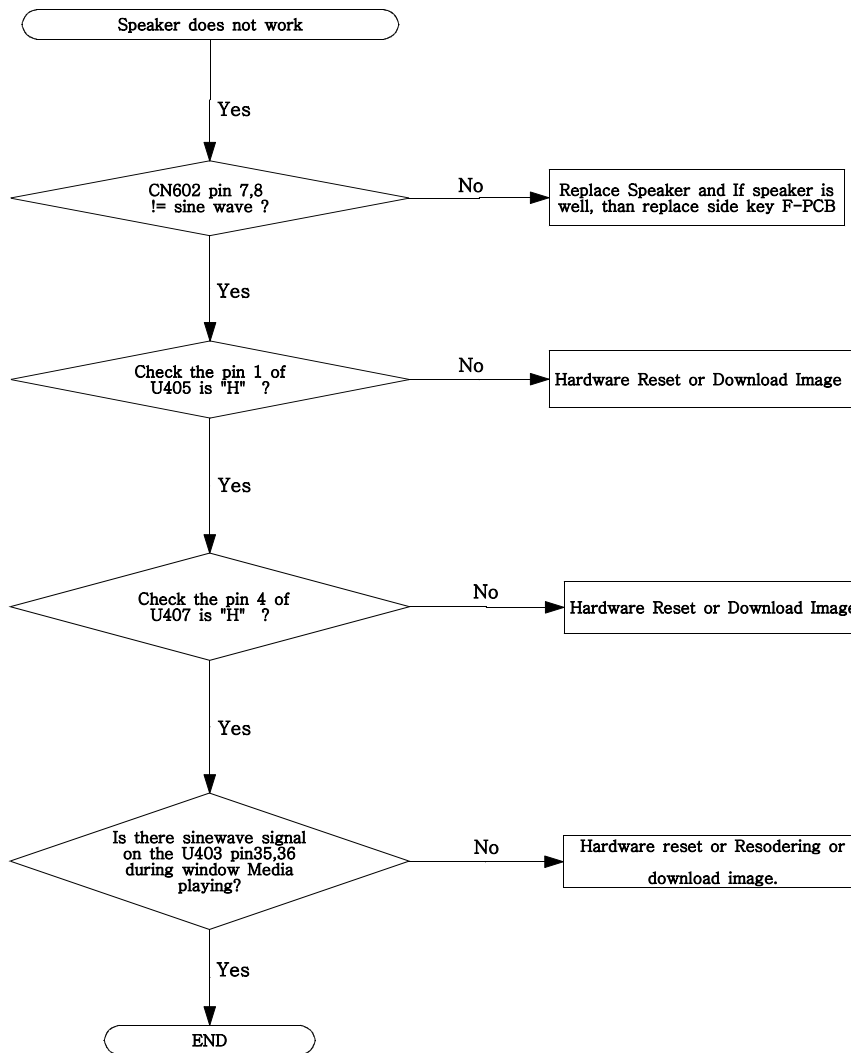


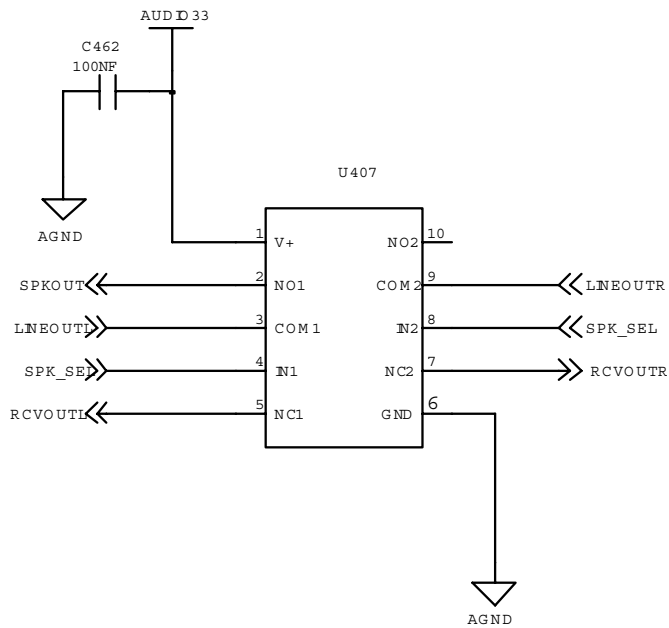
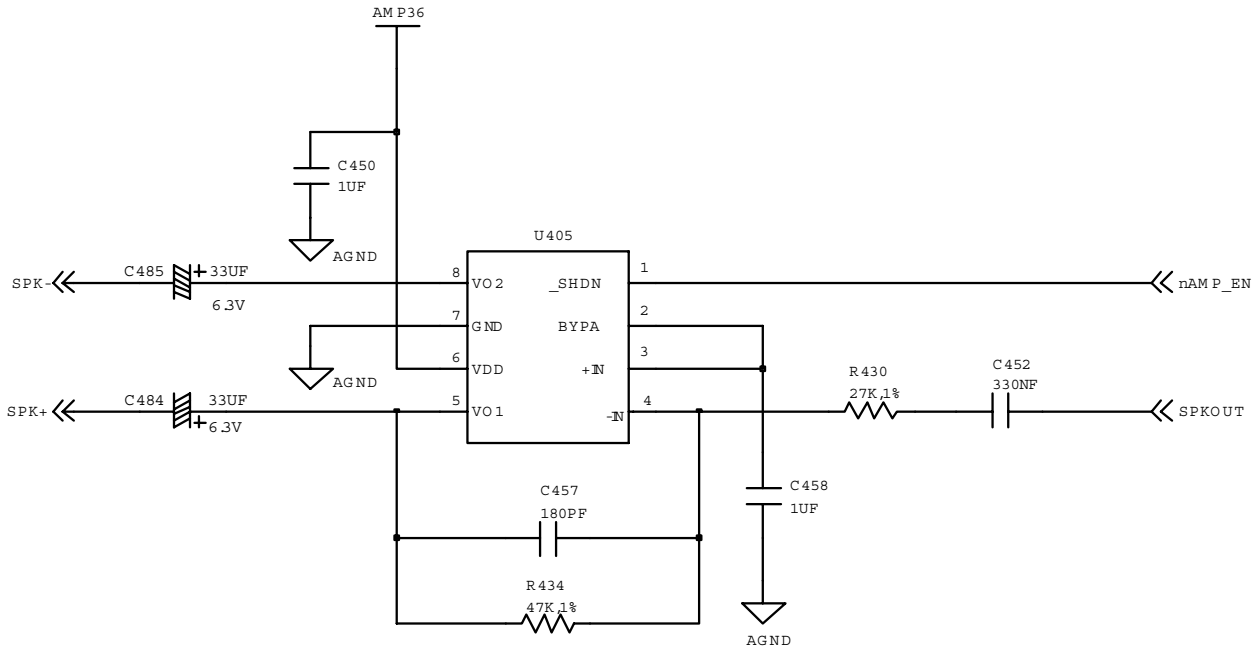


5. Microphone Phone

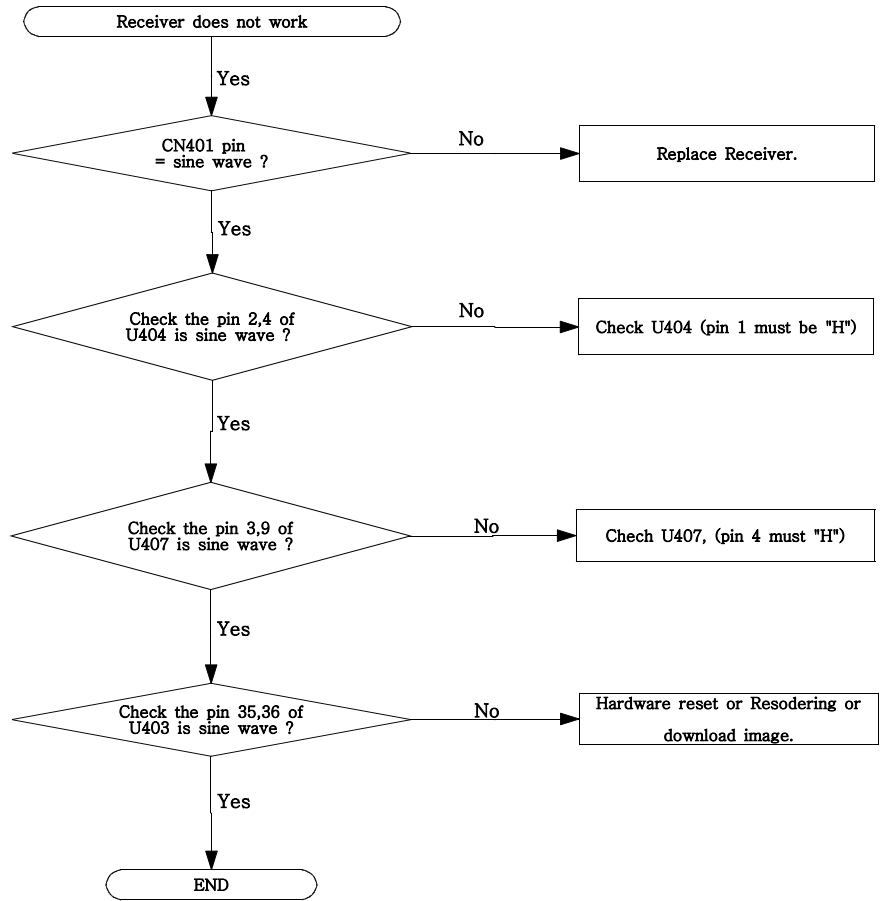


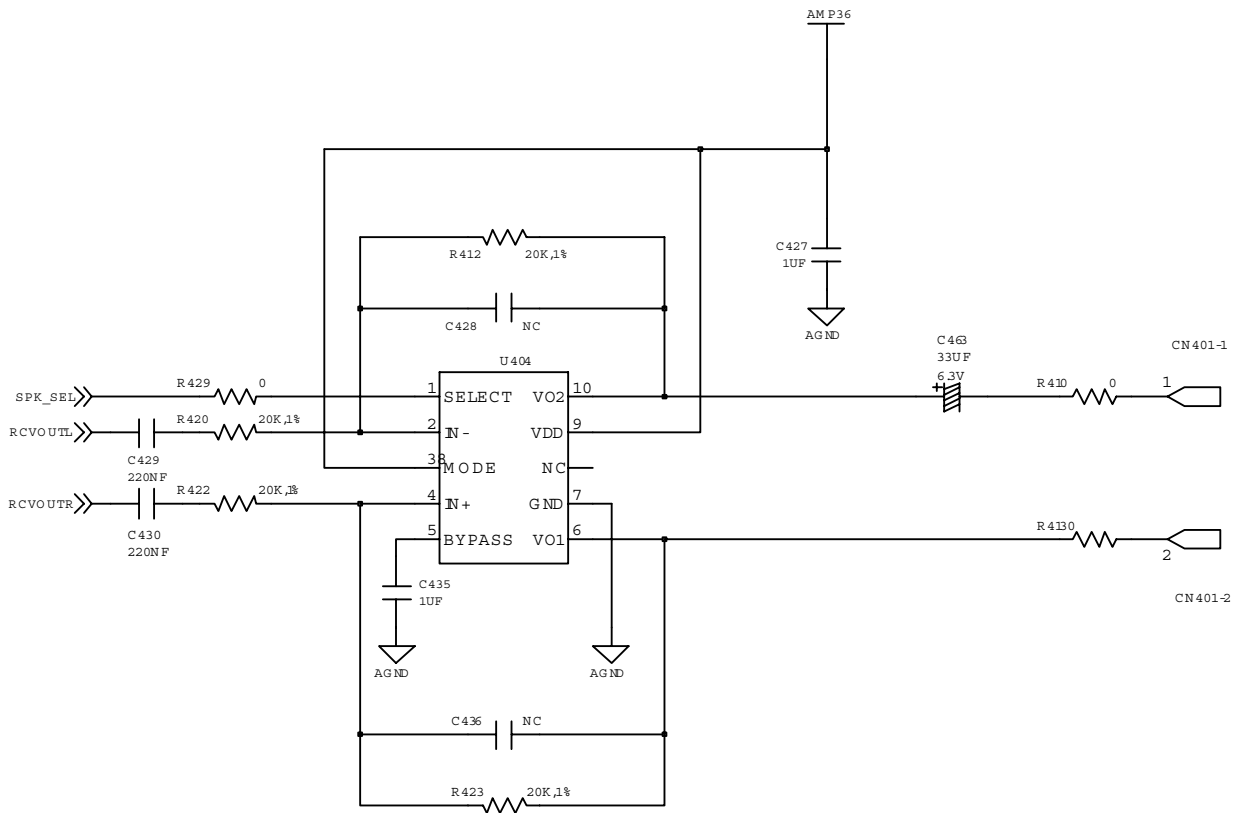
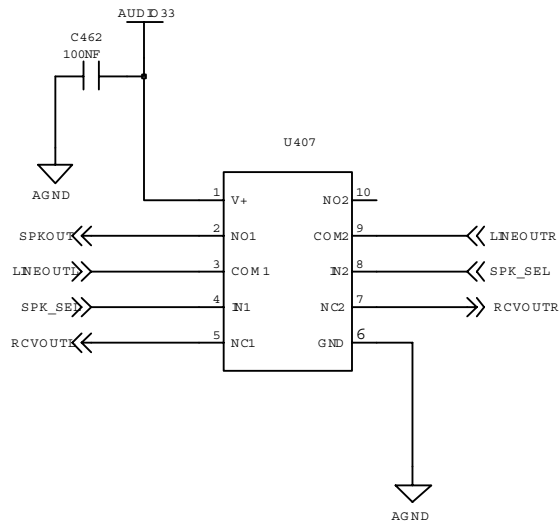
6. Speaker Part



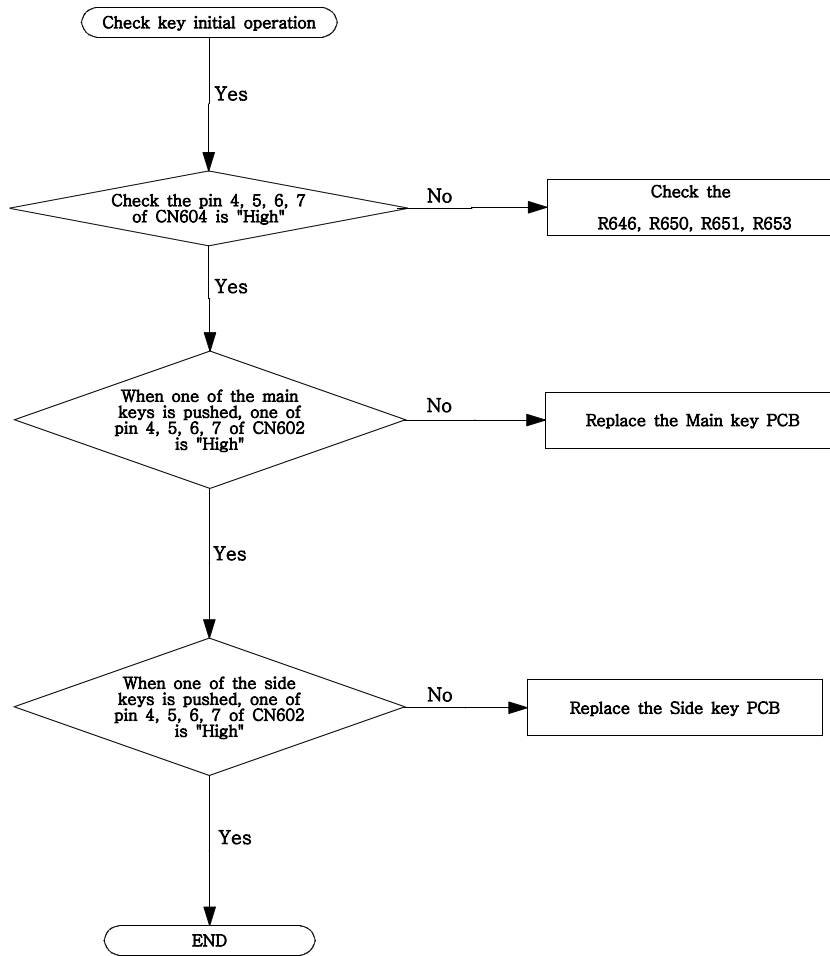


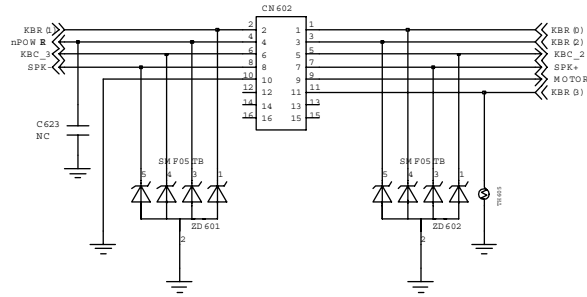
7. Receiver Part



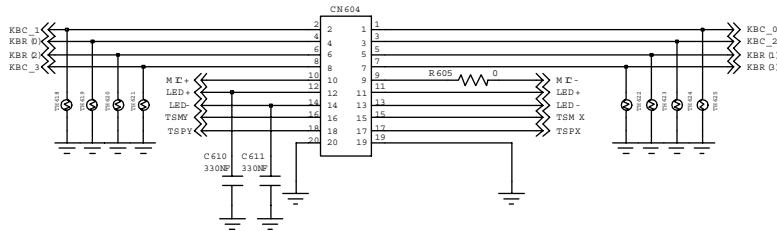


8. Key Matrix Part

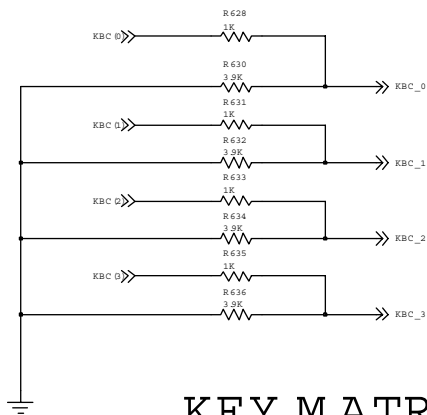




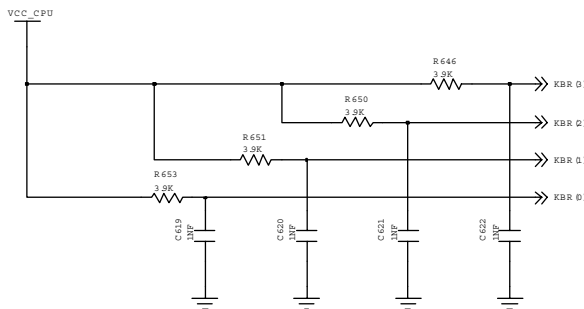
SIDE KEY



MAN KEY

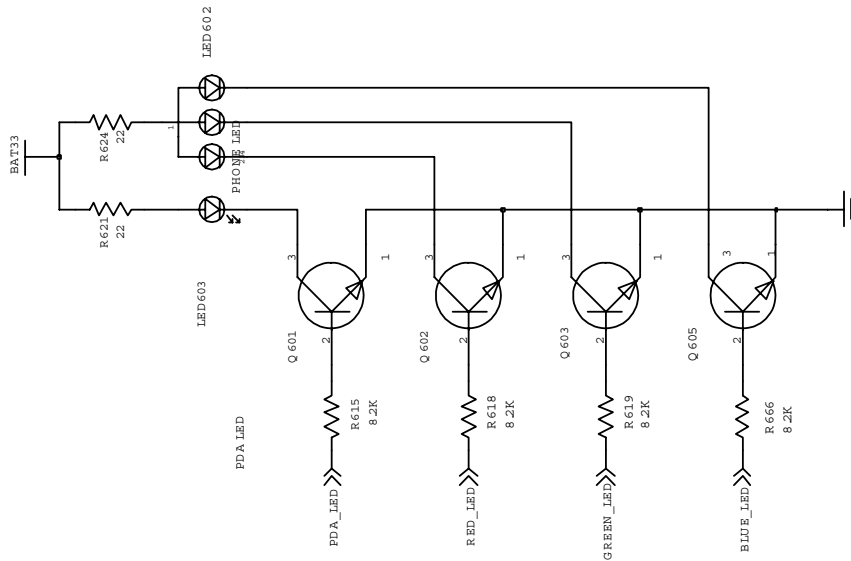
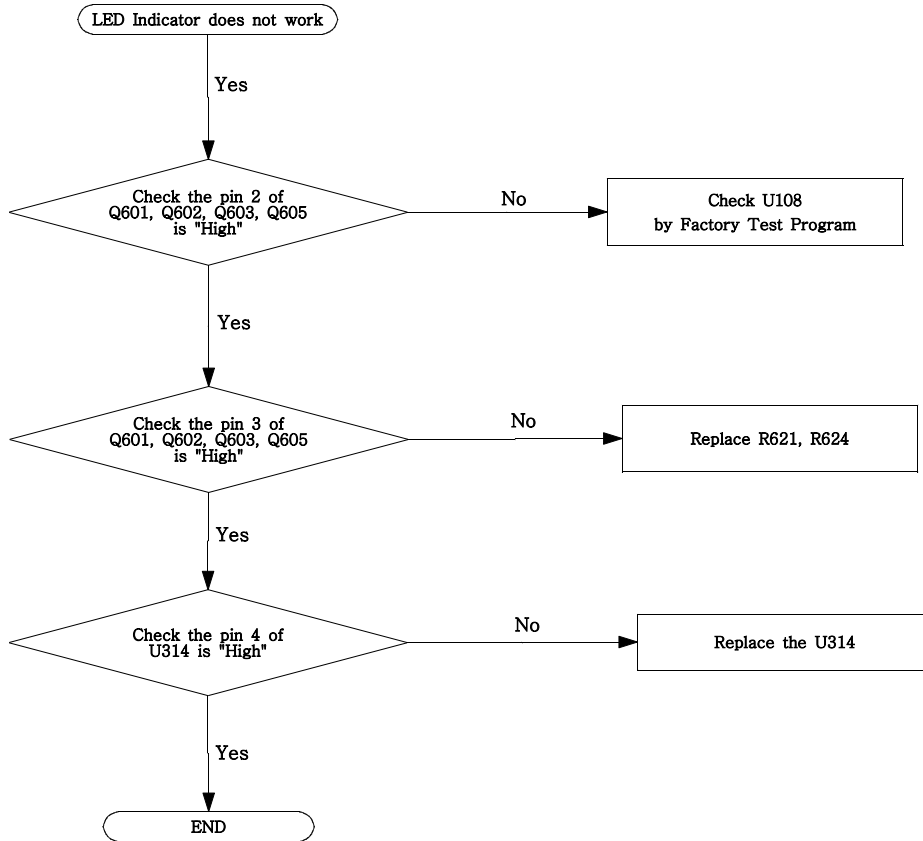


KEY MATRIX



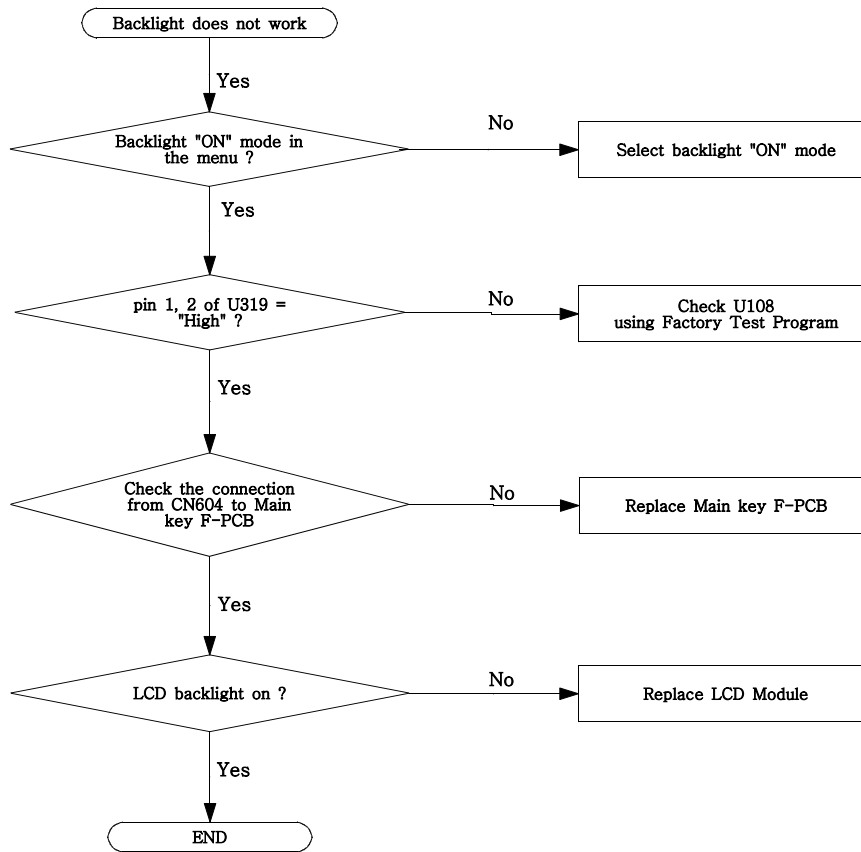


9. Led Indicator Part



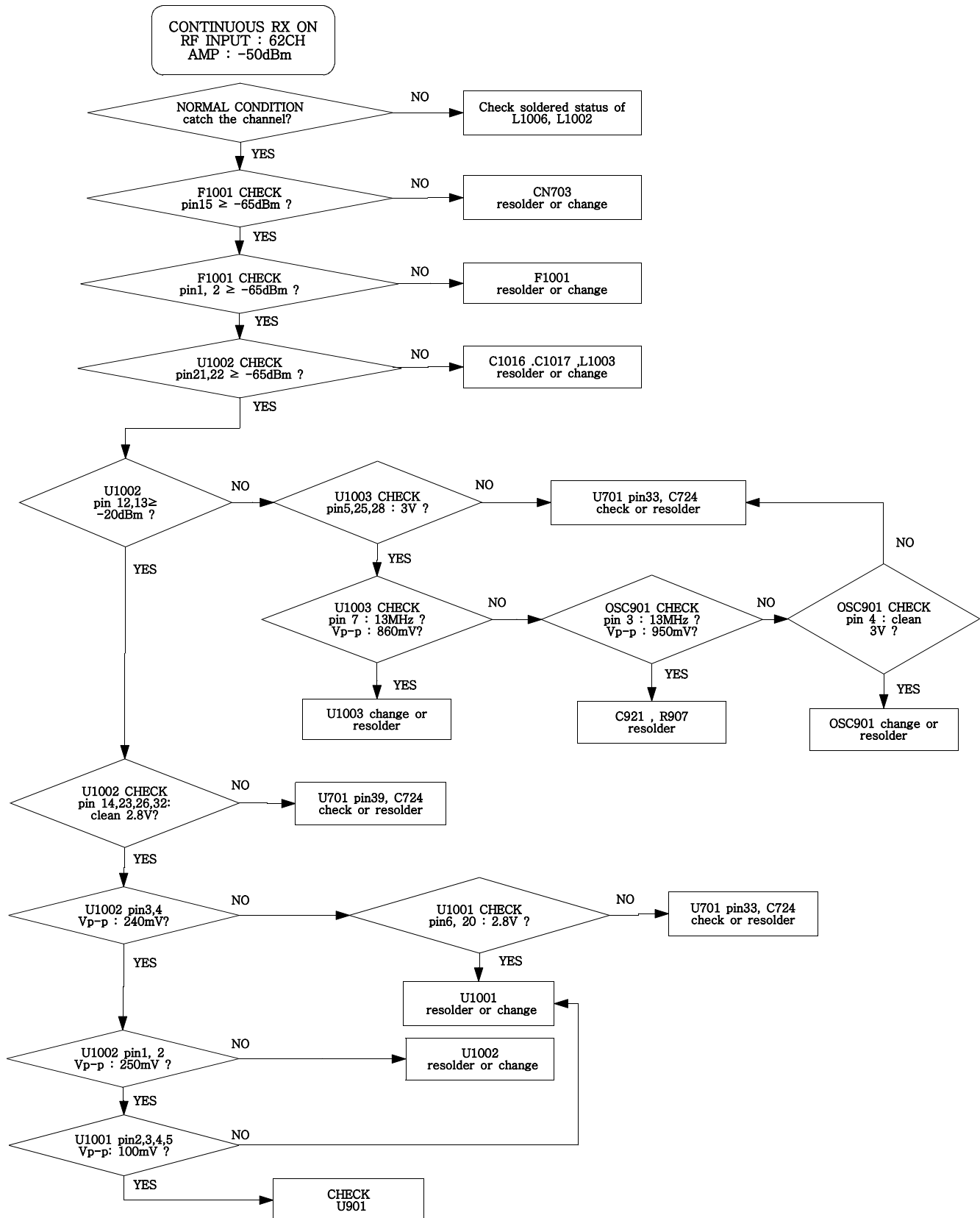
# STATUS LED

10. Backlight Part

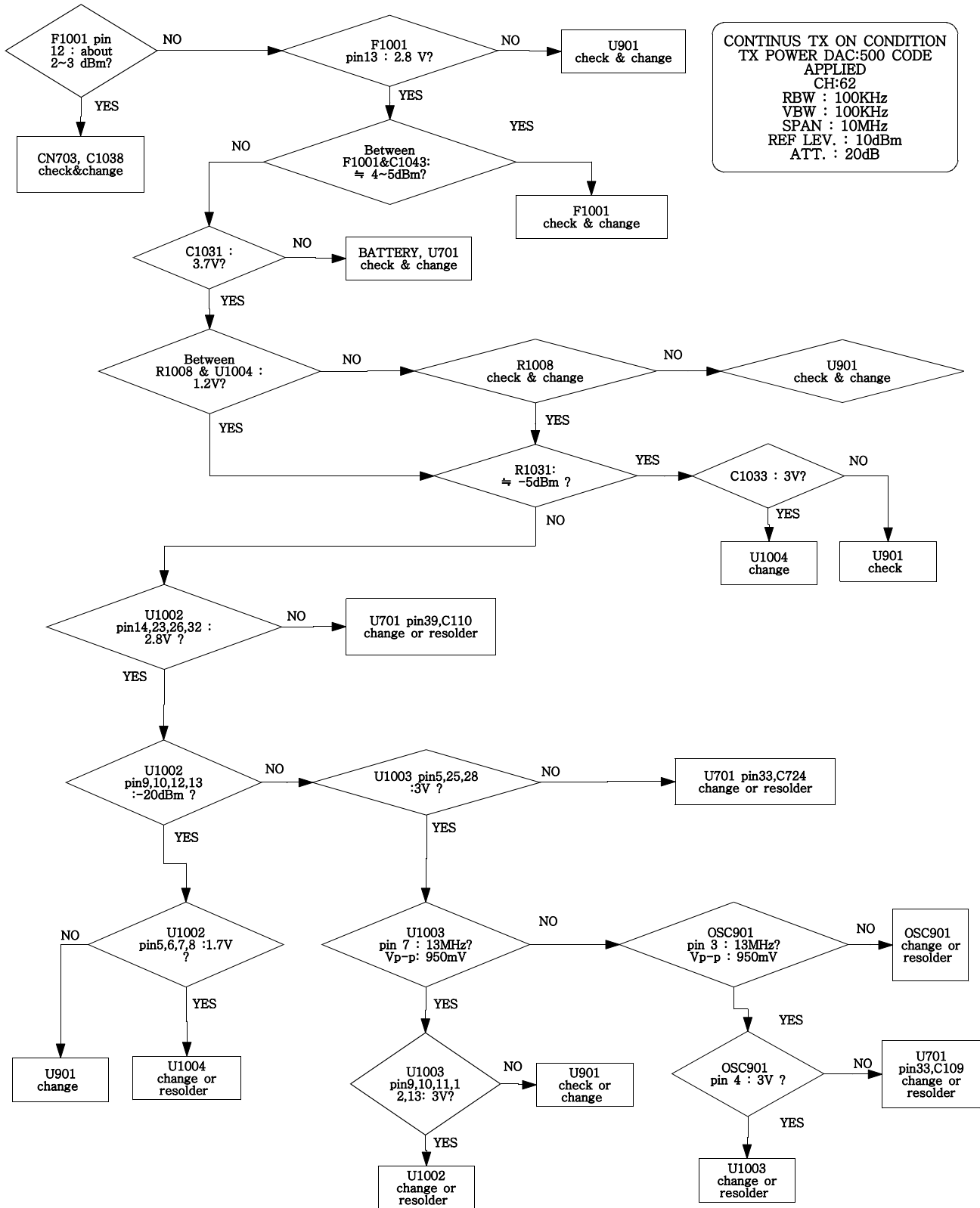


# SGH-I700 Flow Chart of Troubleshooting

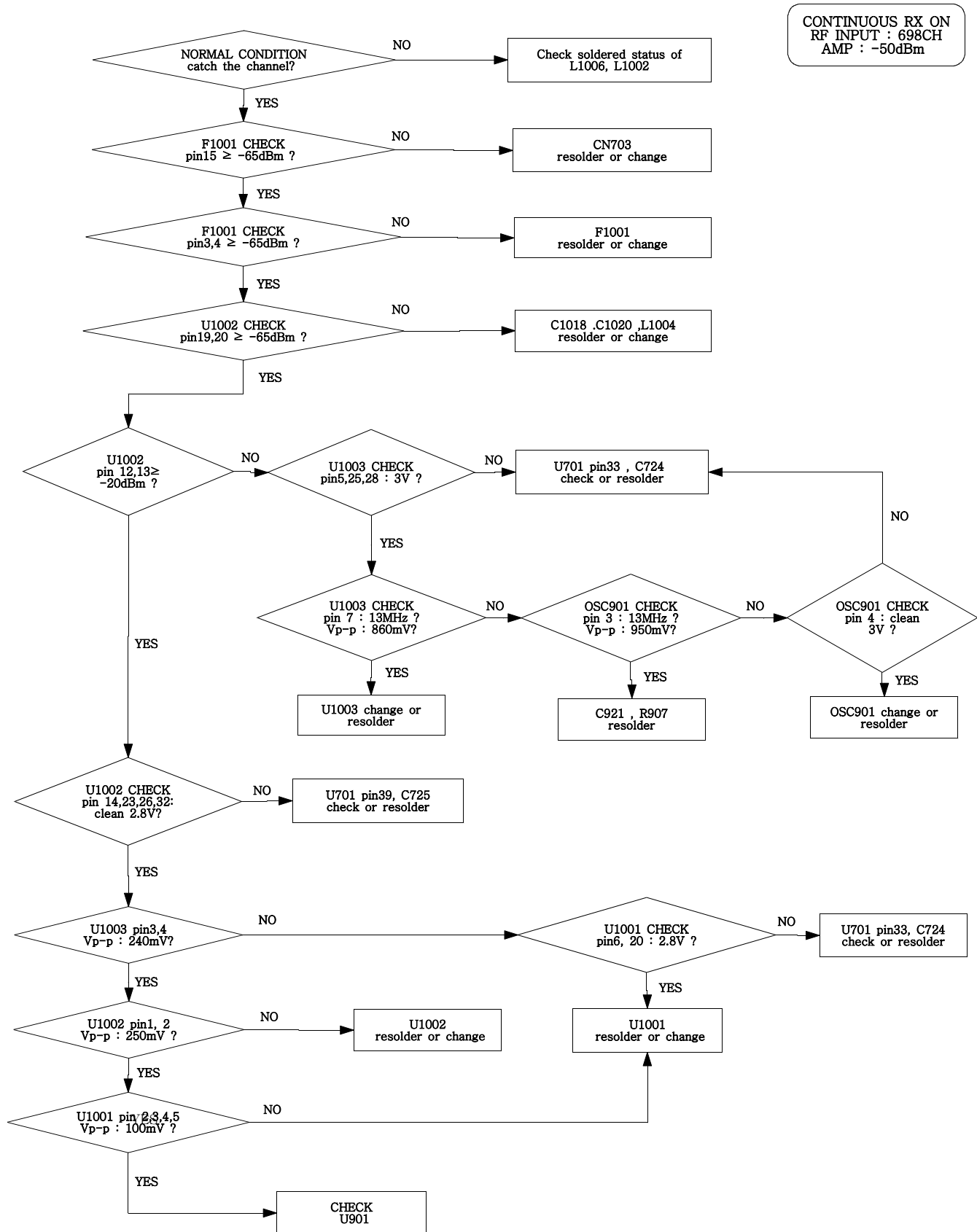
## 11. EGSM Receiver



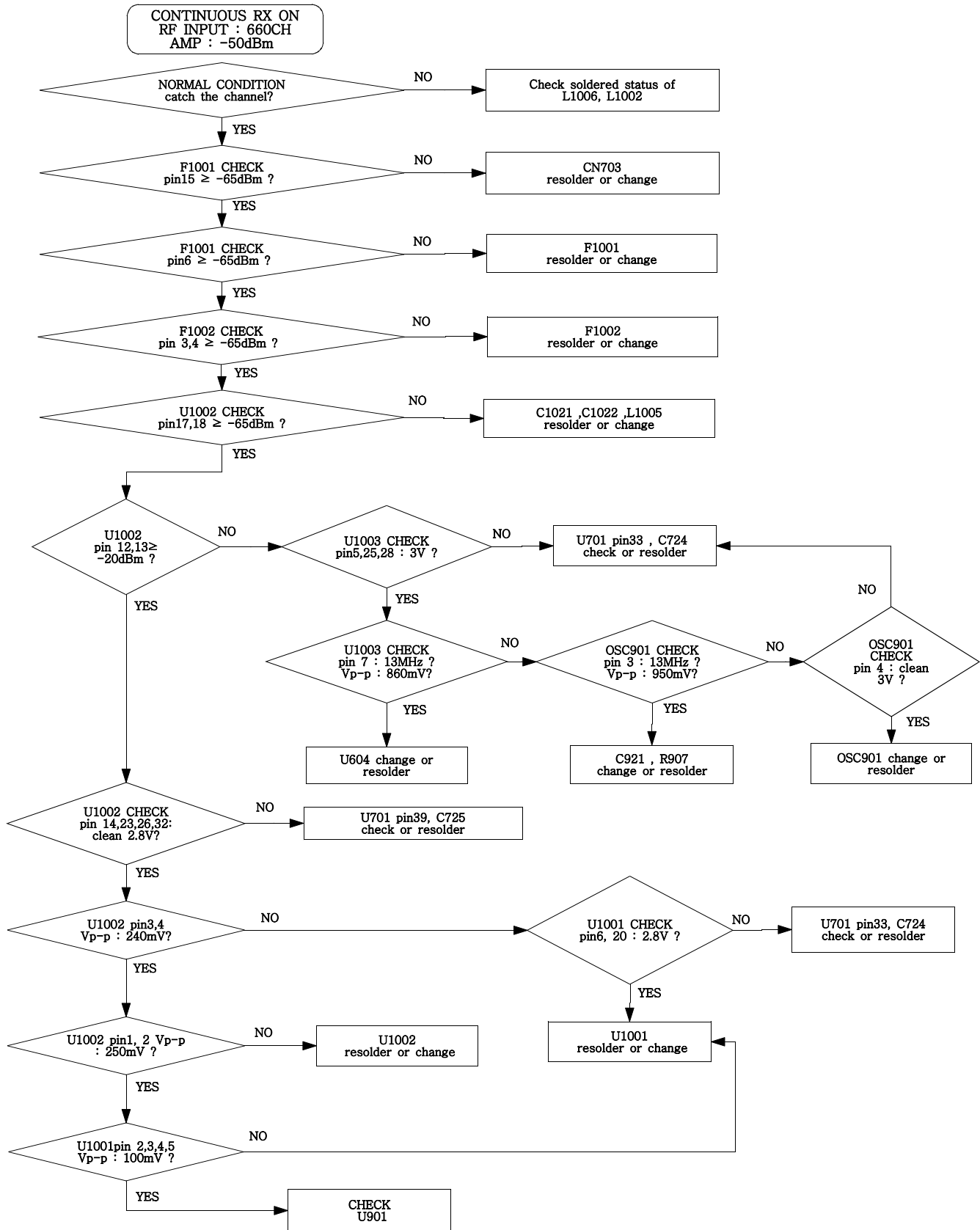
12. EGSM Transmitter



13. DCS Receiver

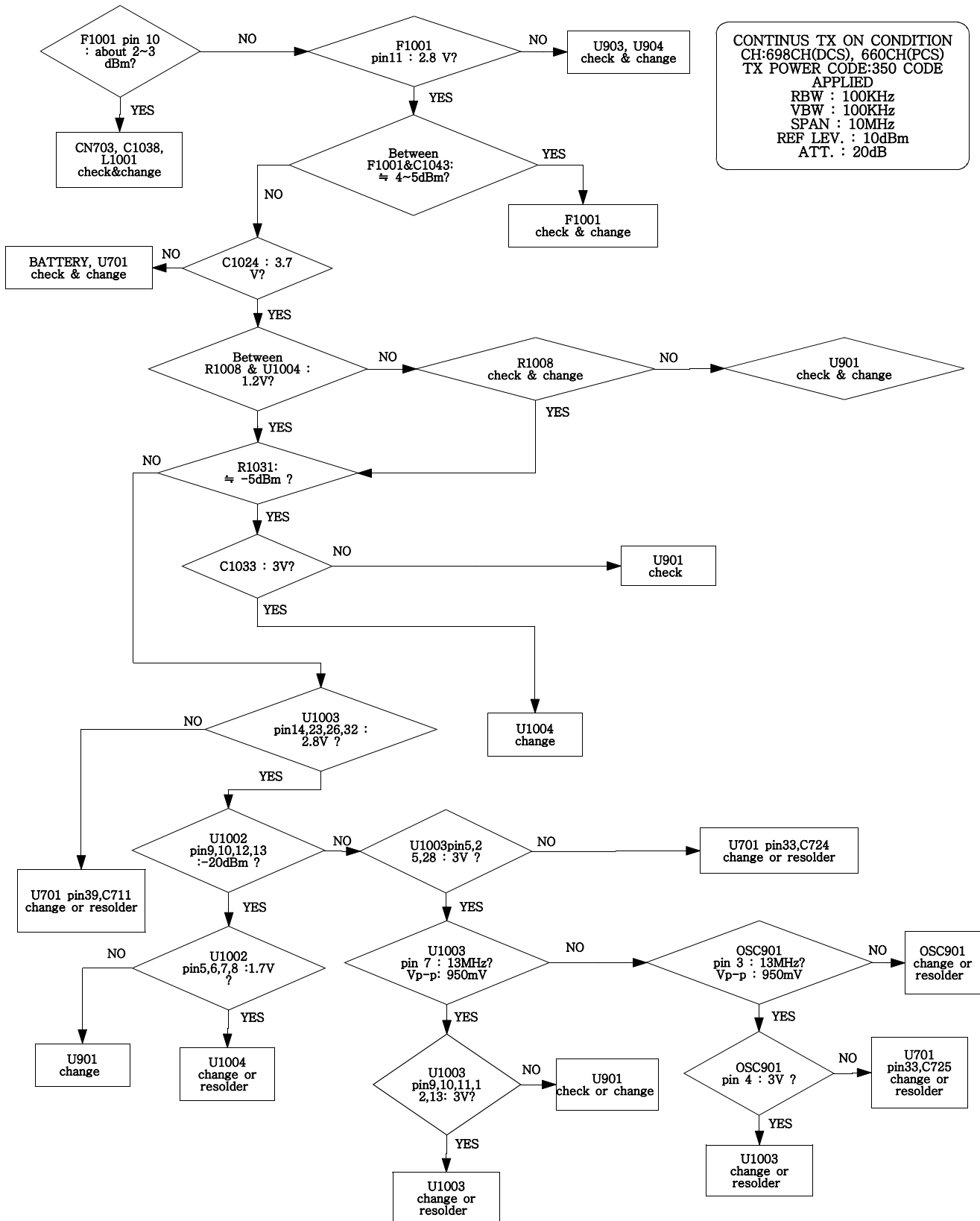


14. PCS Receiver



# SGH-I700 Flow Chart of Troubleshooting

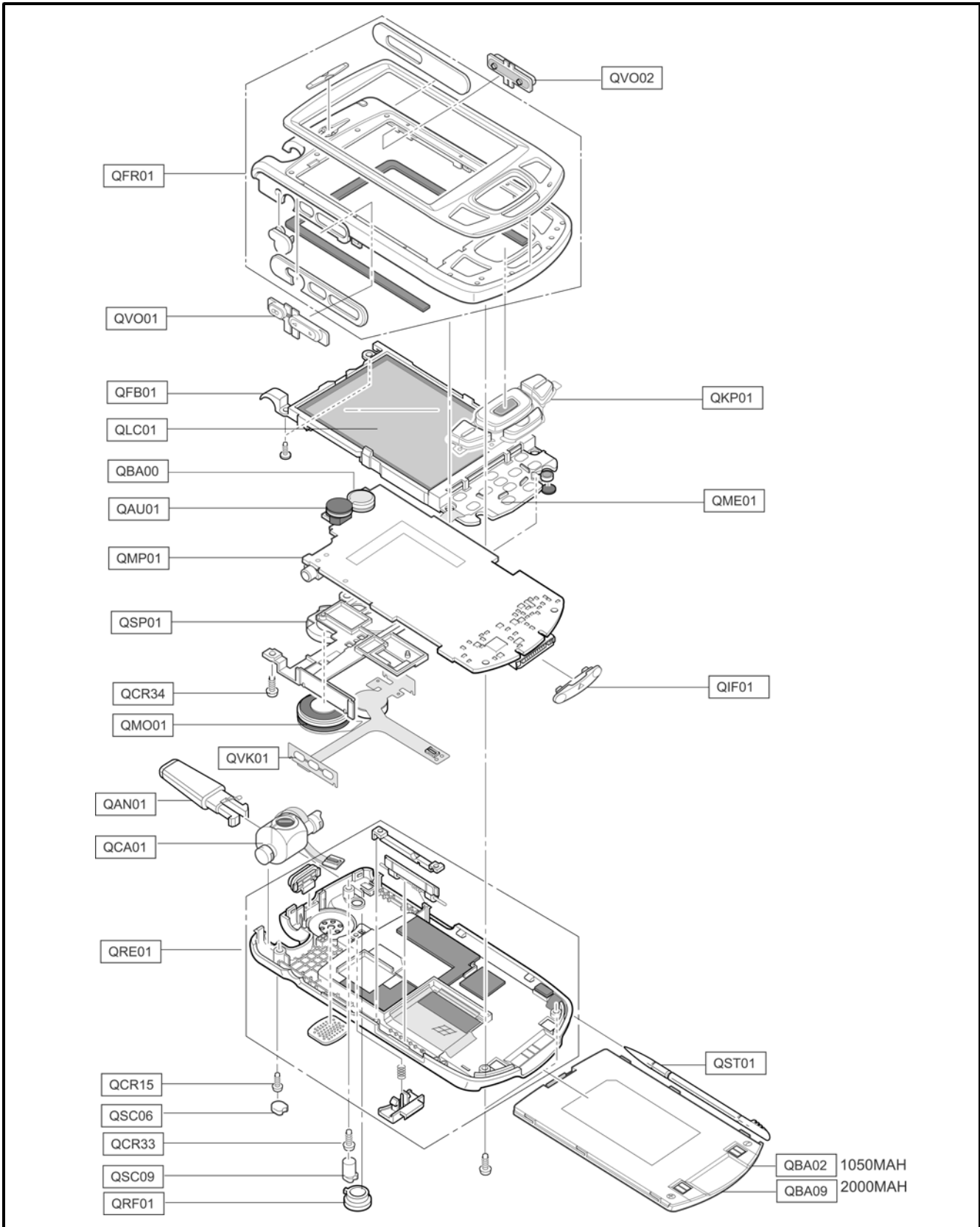
## 13. DPCS Transmitter



CONTINUS TX ON CONDITION  
 CH:698CH(DCS), 660CH(PCS)  
 TX POWER CODE:350 CODE  
 APPLIED  
 RBW : 100KHz  
 VBW : 100KHz  
 SPAN : 10MHz  
 REF LEV. : 10dBm  
 ATT. : 20dB

### 3. SGH-i700 Exploded View and its Parts list

#### 1. Cellular phone Exploded View





2. Cellular phone Parts list

| Location NO. | Description     | SEC CODE    | Remark |
|--------------|-----------------|-------------|--------|
| QFR01        | FRONT COVER     | GH75-03084A |        |
| QVO02        | POWER TRANS KEY | GH75-03083A |        |
| QVO01        | VOICE VOLKEY    | GH75-03082A |        |
| QFB01        | LCD BRACKET     | GH75-04279A |        |
| QLC01        | LCD             | GH07-00455A |        |
| QBA00        | BATTERY         | 4302-001135 |        |
| QAU01        | AUDIO RECEIVER  | 3009-001042 |        |
| QMP01        | MAIN PBA        | GH92-01523A |        |
| QKP01        | KEYPAD          | GH75-03085A |        |
| QME01        | UNIT KEYPAD     | GH59-00793A |        |
| QMO01        | MOTOR           | GH31-00056A |        |
| QCR34        | SCREW           | 6001-001764 |        |
| QSP01        | SPEAKER         | 3001-001425 |        |
| QAN01        | ANTENNA         | GH42-00311A |        |
| QVK01        | UNIT SIDE KEY   | GH59-00794A |        |
| QCA01        | CAMERA          | GH59-00792A |        |
| QRE01        | REAR COVER      | GH75-03086A |        |
| QCR15        | SCREW           | 6001-001673 |        |
| QSC06        | SCREW COVER L   | GH72-12386A |        |
| QSC09        | SCREW COVER R   | GH72-12389A |        |
| QRF01        | MOBILE CAP      | GH72-14629A |        |
| QIF01        | IF COVER        | GH72-15073A |        |
| QCR33        | SCREW           | 6001-001860 |        |
| QST01        | STYLUS PEN ASSY | GH75-04100A |        |
| QBA02        | BATTERY 1050MAH | GH43-00964A |        |
| QBA09        | BATTERY 2000MAH | GH43-00965A |        |

**3. Test Jig**

[GH80-02298A]



**3-1. RF Test Cable**  
(GH39-00090A)



**3-2. Test Cable**  
(GH39-00237A)



**3-3. Serial Cable**



**3-4. Power Supply Cable**



**3-5. Data Cable**  
(GH39-00186A)



**3-6. Travel Charger**  
(GH44-00558A)



**3-7. USB cable**



**3-8. JTAG cable**



## 4. SGH-i700 MAIN Electrical Parts List

| SEC Code    | Design LOC |
|-------------|------------|
| GH92-01523A |            |
| GH41-00458A |            |
| 4302-001135 |            |
| GH68-02026A |            |
| GH71-01052A | ANT1001    |
| 2203-002677 | C1001      |
| 2203-001405 | C1003      |
| 2203-000995 | C1005      |
| 2203-000812 | C1006      |
| 2203-001405 | C1008      |
| 2203-000233 | C1009      |
| 2203-005061 | C101       |
| 2203-001405 | C1010      |
| 2203-000233 | C1012      |
| 2203-001405 | C1013      |
| 2203-005288 | C1016      |
| 2203-005288 | C1017      |
| 2203-001385 | C1018      |
| 2203-005061 | C102       |
| 2203-001385 | C1020      |
| 2203-005234 | C1021      |
| 2203-005234 | C1022      |
| 2404-001239 | C1024      |
| 2203-000812 | C1028      |
| 2203-005061 | C103       |
| 2203-000812 | C1030      |
| 2203-000812 | C1031      |
| 2203-000438 | C1033      |
| 2203-000995 | C1038      |
| 2203-005061 | C104       |
| 2203-000233 | C1040      |
| 2203-000233 | C1041      |
| 2203-000233 | C1042      |
| 2203-000812 | C1043      |
| 2203-000995 | C1044      |
| 2203-005061 | C105       |
| 2203-005061 | C106       |
| 2203-005061 | C107       |
| 2203-005061 | C108       |

| SEC Code    | Design LOC |
|-------------|------------|
| 2203-005061 | C109       |
| 2203-005061 | C110       |
| 2203-005061 | C111       |
| 2203-005061 | C112       |
| 2203-005061 | C113       |
| 2203-005061 | C114       |
| 2203-005061 | C115       |
| 2203-005061 | C116       |
| 2203-005061 | C118       |
| 2203-005061 | C120       |
| 2203-005061 | C121       |
| 2203-005061 | C122       |
| 2203-005061 | C123       |
| 2203-005061 | C124       |
| 2203-005061 | C125       |
| 2203-005061 | C126       |
| 2203-005061 | C127       |
| 2203-005061 | C128       |
| 2203-005061 | C129       |
| 2404-001151 | C130       |
| 2203-005061 | C131       |
| 2203-005061 | C132       |
| 2203-005061 | C133       |
| 2203-005061 | C134       |
| 2203-005061 | C135       |
| 2203-005061 | C136       |
| 2203-005061 | C137       |
| 2203-005061 | C138       |
| 2203-005061 | C139       |
| 2203-005061 | C140       |
| 2203-005061 | C141       |
| 2203-005061 | C142       |
| 2203-005061 | C143       |
| 2203-006093 | C161       |
| 2203-005061 | C162       |
| 2404-001086 | C163       |
| 2203-005503 | C164       |
| 2203-006091 | C165       |
| 2203-005061 | C166       |

| SEC Code    | Design LOC |
|-------------|------------|
| 2203-006093 | C168       |
| 2203-000438 | C169       |
| 2203-001405 | C170       |
| 2203-001405 | C171       |
| 2203-005061 | C172       |
| 2203-000885 | C173       |
| 2203-005061 | C174       |
| 2203-005061 | C201       |
| 2203-005061 | C202       |
| 2203-006093 | C203       |
| 2203-006093 | C204       |
| 2203-005061 | C212       |
| 2203-005061 | C213       |
| 2203-005061 | C214       |
| 2203-005061 | C215       |
| 2203-005061 | C216       |
| 2203-005061 | C217       |
| 2203-005061 | C218       |
| 2203-005061 | C219       |
| 2203-005061 | C220       |
| 2203-005061 | C221       |
| 2203-005061 | C222       |
| 2203-005061 | C223       |
| 2203-005061 | C224       |
| 2203-005061 | C225       |
| 2203-005061 | C226       |
| 2203-005061 | C228       |
| 2404-001268 | C229       |
| 2404-001268 | C230       |
| 2203-005482 | C231       |
| 2203-005061 | C232       |
| 2203-005061 | C233       |
| 2203-005061 | C234       |
| 2203-005061 | C235       |
| 2203-005061 | C236       |
| 2203-005061 | C237       |
| 2203-005061 | C238       |
| 2404-001239 | C301       |
| 2404-001239 | C302       |

| SEC Code    | Design LOC |
|-------------|------------|
| 2404-001268 | C303       |
| 2404-001268 | C304       |
| 2404-001268 | C305       |
| 2404-001268 | C306       |
| 2404-001268 | C307       |
| 2404-001268 | C308       |
| 2203-000679 | C309       |
| 2203-000940 | C310       |
| 2203-005061 | C311       |
| 2203-002443 | C312       |
| 2203-005061 | C313       |
| 2404-001101 | C314       |
| 2203-005061 | C315       |
| 2404-001239 | C316       |
| 2203-005061 | C317       |
| 2404-001268 | C318       |
| 2404-001239 | C319       |
| 2404-001268 | C320       |
| 2203-005061 | C321       |
| 2203-000438 | C322       |
| 2203-005061 | C323       |
| 2203-005061 | C324       |
| 2203-005840 | C325       |
| 2404-001268 | C326       |
| 2404-001101 | C327       |
| 2203-005840 | C329       |
| 2404-001151 | C330       |
| 2203-005061 | C331       |
| 2404-001268 | C332       |
| 2404-001268 | C333       |
| 2203-005482 | C334       |
| 2404-001339 | C335       |
| 2404-001268 | C336       |
| 2203-005061 | C337       |
| 2203-006307 | C338       |
| 2404-001268 | C339       |
| 2404-001151 | C340       |
| 2203-000585 | C341       |
| 2404-001151 | C342       |

| SEC Code    | Design LOC |
|-------------|------------|
| 2203-005482 | C343       |
| 2404-001268 | C344       |
| 2203-000550 | C345       |
| 2203-005061 | C346       |
| 2404-001268 | C347       |
| 2404-001268 | C351       |
| 2203-000438 | C353       |
| 2203-002525 | C354       |
| 2203-000438 | C355       |
| 2203-005061 | C356       |
| 2203-005061 | C357       |
| 2203-005061 | C358       |
| 2203-005061 | C359       |
| 2203-005061 | C401       |
| 2203-005144 | C402       |
| 2404-001268 | C403       |
| 2203-005481 | C405       |
| 2203-005061 | C406       |
| 2203-005061 | C407       |
| 2404-001151 | C408       |
| 2404-001268 | C409       |
| 2404-001268 | C410       |
| 2404-001268 | C411       |
| 2404-001268 | C412       |
| 2203-005061 | C413       |
| 2203-005061 | C414       |
| 2203-005061 | C415       |
| 2203-005061 | C416       |
| 2404-001151 | C417       |
| 2203-000940 | C418       |
| 2203-005061 | C419       |
| 2203-005061 | C420       |
| 2203-005571 | C421       |
| 2203-005571 | C422       |
| 2203-001259 | C423       |
| 2404-001151 | C426       |
| 2203-005065 | C427       |
| 2203-006190 | C429       |
| 2203-006190 | C430       |

| SEC Code    | Design LOC |
|-------------|------------|
| 2203-005509 | C431       |
| 2404-001151 | C432       |
| 2404-001268 | C433       |
| 2203-000940 | C434       |
| 2203-005065 | C435       |
| 2404-001268 | C437       |
| 2203-005061 | C438       |
| 2203-005061 | C439       |
| 2203-005571 | C440       |
| 2203-005571 | C441       |
| 2203-005057 | C442       |
| 2203-005057 | C443       |
| 2203-005065 | C450       |
| 2203-005509 | C452       |
| 2203-005503 | C457       |
| 2203-005065 | C458       |
| 2203-005061 | C459       |
| 2203-005503 | C460       |
| 2203-005061 | C462       |
| 2203-005065 | C465       |
| 2404-001151 | C470       |
| 2203-000438 | C476       |
| 2203-000438 | C477       |
| 2203-006190 | C482       |
| 2404-001151 | C484       |
| 2404-001151 | C485       |
| 2203-005482 | C501       |
| 2203-005571 | C502       |
| 2203-005061 | C503       |
| 2203-005061 | C504       |
| 2404-001268 | C505       |
| 2404-001268 | C506       |
| 2404-001268 | C507       |
| 2203-006053 | C508       |
| 2203-005482 | C509       |
| 2203-005061 | C510       |
| 2203-006053 | C511       |
| 2203-005061 | C512       |
| 2203-005061 | C513       |

**SGH-I700 Electrical Parts List**

| SEC Code    | Design LOC |
|-------------|------------|
| 2203-005482 | C514       |
| 2203-005482 | C515       |
| 2203-005482 | C516       |
| 2203-005482 | C517       |
| 2203-005061 | C518       |
| 2203-005061 | C519       |
| 2203-005061 | C520       |
| 2203-005061 | C521       |
| 2203-006113 | C522       |
| 2203-000359 | C524       |
| 2203-000359 | C525       |
| 2203-000359 | C526       |
| 2203-000359 | C527       |
| 2203-000359 | C528       |
| 2203-000359 | C529       |
| 2203-000359 | C530       |
| 2203-000359 | C531       |
| 2203-005061 | C532       |
| 2203-005061 | C533       |
| 2203-005061 | C538       |
| 2203-005061 | C539       |
| 2203-006113 | C540       |
| 2203-006113 | C541       |
| 2203-006113 | C542       |
| 2203-000812 | C544       |
| 2203-000812 | C549       |
| 2203-000812 | C550       |
| 2203-005482 | C601       |
| 2203-005482 | C602       |
| 2203-000438 | C604       |
| 2203-005065 | C605       |
| 2404-001268 | C606       |
| 2404-001268 | C607       |
| 2203-005061 | C608       |
| 2203-005061 | C609       |
| 2203-005509 | C610       |
| 2203-005509 | C611       |
| 2203-005482 | C612       |
| 2203-006093 | C613       |

| SEC Code    | Design LOC |
|-------------|------------|
| 2404-001101 | C616       |
| 2203-000438 | C619       |
| 2203-000438 | C620       |
| 2203-000438 | C621       |
| 2203-000438 | C622       |
| 2203-000812 | C701       |
| 2203-005061 | C702       |
| 2203-001598 | C703       |
| 2203-005482 | C704       |
| 2203-000812 | C705       |
| 2203-000812 | C706       |
| 2203-005061 | C708       |
| 2203-001652 | C711       |
| 2203-001598 | C712       |
| 2203-000233 | C715       |
| 2203-000254 | C716       |
| 2203-006053 | C717       |
| 2203-006053 | C718       |
| 2203-001652 | C719       |
| 2203-001652 | C720       |
| 2203-005061 | C721       |
| 2203-005061 | C722       |
| 2203-005061 | C723       |
| 2203-006053 | C724       |
| 2203-006053 | C725       |
| 2203-000254 | C726       |
| 2203-005482 | C741       |
| 2203-005496 | C801       |
| 2203-005496 | C802       |
| 2203-000254 | C803       |
| 2203-000254 | C804       |
| 2203-000254 | C805       |
| 2203-000254 | C806       |
| 2203-000254 | C807       |
| 2203-000254 | C808       |
| 2203-005061 | C809       |
| 2203-001405 | C810       |
| 2203-000679 | C811       |
| 2203-000254 | C812       |

| SEC Code    | Design LOC |
|-------------|------------|
| 2203-000628 | C813       |
| 2203-005061 | C814       |
| 2203-000628 | C815       |
| 2203-005061 | C816       |
| 2203-005061 | C817       |
| 2203-000679 | C818       |
| 2203-000836 | C903       |
| 2203-000233 | C905       |
| 2203-005496 | C906       |
| 2203-005065 | C907       |
| 2203-005061 | C908       |
| 2203-000254 | C909       |
| 2203-005480 | C910       |
| 2203-005480 | C911       |
| 2203-000254 | C913       |
| 2203-000254 | C914       |
| 2203-000254 | C915       |
| 2203-000254 | C916       |
| 2203-000233 | C917       |
| 2203-005052 | C918       |
| 2203-000233 | C919       |
| 2203-000254 | C921       |
| 2203-000254 | C922       |
| 2203-000386 | C923       |
| 2203-001412 | C924       |
| 2203-000254 | C925       |
| 2203-000254 | C926       |
| 2203-000233 | C927       |
| 3711-004642 | CN301      |
| 3711-004642 | CN302      |
| 3710-001105 | CN401      |
| 3711-005225 | CN501      |
| 3711-005159 | CN503      |
| 3709-001251 | CN601      |
| 3711-005225 | CN602      |
| 3711-005183 | CN603      |
| 3711-005285 | CN604      |
| 3710-001732 | CN605      |
| 3709-001298 | CN701      |

| SEC Code    | Design LOC |
|-------------|------------|
| 3705-001255 | CN703      |
| 0401-001052 | D301       |
| 0404-001016 | D302       |
| 0404-001016 | D303       |
| 0404-001152 | D304       |
| 0404-001152 | D305       |
| 0404-001152 | D306       |
| 0404-001167 | D307       |
| 0403-001467 | D308       |
| 0406-001150 | D501       |
| 0406-001150 | D502       |
| 0406-001150 | D503       |
| 0406-001150 | D504       |
| 0406-001150 | D505       |
| 0406-001150 | D506       |
| 0406-001150 | D507       |
| 0406-001150 | D508       |
| 0407-000115 | D601       |
| 3722-002153 | EAR401     |
| 2909-001191 | F1001      |
| 2904-001450 | F1002      |
| 2703-001751 | L1001      |
| 2703-001751 | L1002      |
| 2703-002558 | L1003      |
| 2703-002543 | L1004      |
| 2703-001708 | L1005      |
| 2703-001724 | L1006      |
| 2703-001242 | L101       |
| 2703-002409 | L301       |
| 2703-000398 | L302       |
| 2703-002346 | L304       |
| 2703-002409 | L305       |
| 3301-001105 | L306       |
| 2703-001242 | L401       |
| 2703-000300 | L402       |
| 2703-001868 | L403       |
| 3301-001105 | L501       |
| 0604-001146 | LED601     |
| 0601-001654 | LED602     |

| SEC Code    | Design LOC |
|-------------|------------|
| 0601-001602 | LED603     |
| 2804-001516 | OSC101     |
| 2801-003747 | OSC102     |
| 2801-004225 | OSC401     |
| 2804-001492 | OSC501     |
| 2804-001548 | OSC502     |
| 2801-003747 | OSC801     |
| 2809-001260 | OSC901     |
| 0504-000172 | Q101       |
| 0505-001217 | Q102       |
| 0504-000168 | Q103       |
| 0505-001454 | Q104       |
| 0505-001454 | Q105       |
| 0501-002202 | Q106       |
| 0501-000225 | Q401       |
| 0504-000167 | Q402       |
| 0504-000167 | Q601       |
| 0504-000167 | Q602       |
| 0504-000167 | Q603       |
| 0505-001217 | Q604       |
| 0504-000167 | Q605       |
| 0504-000168 | Q704       |
| 2007-001288 | R1002      |
| 2007-007008 | R1003      |
| 2007-007008 | R1004      |
| 2007-001288 | R1005      |
| 2007-007008 | R1006      |
| 2007-007008 | R1007      |
| 2007-007107 | R1008      |
| 2007-000171 | R101       |
| 2007-001307 | R1010      |
| 2007-001307 | R1011      |
| 2007-000159 | R102       |
| 2007-000162 | R103       |
| 2007-000148 | R105       |
| 2007-008263 | R106       |
| 2007-000171 | R112       |
| 2011-001264 | R113       |
| 2011-001264 | R114       |

| SEC Code    | Design LOC |
|-------------|------------|
| 2011-001264 | R115       |
| 2011-001264 | R116       |
| 2011-001264 | R117       |
| 2007-000168 | R119       |
| 2007-000162 | R120       |
| 2007-000171 | R123       |
| 2007-000171 | R124       |
| 2007-000162 | R125       |
| 2007-000148 | R126       |
| 2007-000171 | R127       |
| 2007-000171 | R128       |
| 2007-000171 | R129       |
| 2007-000171 | R130       |
| 2007-000171 | R131       |
| 2007-000171 | R132       |
| 2007-000171 | R133       |
| 2007-000162 | R134       |
| 2007-000171 | R135       |
| 2007-000171 | R136       |
| 2007-000162 | R137       |
| 2007-000162 | R138       |
| 2007-000162 | R139       |
| 2007-000171 | R140       |
| 2007-007981 | R144       |
| 2007-007590 | R145       |
| 2007-007488 | R146       |
| 2007-001325 | R148       |
| 2007-000171 | R151       |
| 2007-000171 | R153       |
| 2007-000171 | R154       |
| 2007-000148 | R155       |
| 2007-000171 | R156       |
| 2007-000162 | R157       |
| 2007-000162 | R158       |
| 2007-000162 | R159       |
| 2007-000171 | R160       |
| 2007-007142 | R161       |
| 2007-007142 | R173       |
| 2007-000162 | R174       |

**SGH-I700 Electrical Parts List**

| SEC Code    | Design LOC |
|-------------|------------|
| 2007-007312 | R175       |
| 2007-007142 | R177       |
| 2007-007107 | R202       |
| 2007-007107 | R203       |
| 2007-007107 | R204       |
| 2007-007107 | R205       |
| 2007-007107 | R206       |
| 2007-007107 | R210       |
| 2007-000171 | R218       |
| 2007-000171 | R219       |
| 2007-000171 | R220       |
| 2007-007107 | R221       |
| 2007-000171 | R222       |
| 2007-000171 | R301       |
| 2007-000162 | R302       |
| 2007-000169 | R304       |
| 2007-000162 | R307       |
| 2007-007589 | R308       |
| 2007-000159 | R309       |
| 2007-000141 | R310       |
| 2007-000171 | R311       |
| 2007-000171 | R312       |
| 2007-000174 | R313       |
| 2007-000171 | R314       |
| 2007-000153 | R315       |
| 2007-000148 | R316       |
| 2007-007573 | R318       |
| 2007-007014 | R319       |
| 2007-000171 | R321       |
| 2007-001308 | R322       |
| 2007-003028 | R323       |
| 2007-000167 | R325       |
| 2007-007014 | R326       |
| 2007-007334 | R327       |
| 2007-000140 | R328       |
| 2007-000169 | R329       |
| 2007-000162 | R330       |
| 2007-000153 | R332       |
| 2007-000566 | R333       |

| SEC Code    | Design LOC |
|-------------|------------|
| 2007-000162 | R335       |
| 2007-008137 | R342       |
| 2007-000148 | R343       |
| 2007-007137 | R347       |
| 2007-000167 | R348       |
| 2007-000168 | R349       |
| 2007-000162 | R351       |
| 2007-000169 | R353       |
| 2007-000162 | R354       |
| 2007-000162 | R356       |
| 2007-000169 | R357       |
| 2007-000171 | R401       |
| 2007-000171 | R402       |
| 2203-001383 | R403       |
| 2007-000171 | R405       |
| 2007-001119 | R406       |
| 2007-000140 | R407       |
| 2007-000162 | R408       |
| 2007-000171 | R409       |
| 2007-000171 | R410       |
| 2007-007312 | R412       |
| 2007-000171 | R413       |
| 2007-000148 | R414       |
| 2007-007875 | R415       |
| 2007-000171 | R416       |
| 2007-000171 | R417       |
| 2007-007312 | R420       |
| 2007-007312 | R422       |
| 2007-007312 | R423       |
| 2007-000171 | R424       |
| 2007-000171 | R425       |
| 2007-000171 | R428       |
| 2007-000171 | R429       |
| 2007-007138 | R430       |
| 2203-001383 | R431       |
| 2007-007139 | R434       |
| 2007-000171 | R448       |
| 2007-008213 | R449       |
| 2007-001119 | R450       |

| SEC Code    | Design LOC |
|-------------|------------|
| 2007-000145 | R451       |
| 2007-000162 | R452       |
| 2007-000140 | R453       |
| 2007-001335 | R454       |
| 2007-000171 | R455       |
| 2007-000162 | R456       |
| 2007-000171 | R458       |
| 2007-007139 | R502       |
| 2007-000172 | R504       |
| 2007-001284 | R505       |
| 2007-007132 | R506       |
| 2007-007311 | R507       |
| 2007-007107 | R508       |
| 2007-007309 | R512       |
| 2007-007142 | R513       |
| 2007-007139 | R514       |
| 2007-007107 | R515       |
| 2007-000171 | R519       |
| 2007-000148 | R525       |
| 2007-007136 | R526       |
| 2007-000171 | R528       |
| 2007-000157 | R539       |
| 2007-000140 | R540       |
| 2007-000140 | R541       |
| 2007-000171 | R543       |
| 2007-007107 | R601       |
| 2007-007981 | R602       |
| 2007-007142 | R603       |
| 2007-000148 | R604       |
| 2007-000171 | R605       |
| 2007-000148 | R606       |
| 2007-007014 | R607       |
| 2007-000171 | R608       |
| 2007-000174 | R609       |
| 2007-000174 | R610       |
| 2007-000165 | R611       |
| 2007-000174 | R612       |
| 2007-000140 | R613       |
| 2007-000140 | R614       |

| SEC Code    | Design LOC |
|-------------|------------|
| 2007-000147 | R615       |
| 2007-000147 | R618       |
| 2007-000147 | R619       |
| 2007-000162 | R620       |
| 2007-000173 | R621       |
| 2007-000140 | R623       |
| 2007-000140 | R624       |
| 2007-007311 | R625       |
| 2007-007107 | R626       |
| 2007-000171 | R627       |
| 2007-000140 | R628       |
| 2007-007107 | R629       |
| 2007-007001 | R630       |
| 2007-000140 | R631       |
| 2007-007001 | R632       |
| 2007-000140 | R633       |
| 2007-007001 | R634       |
| 2007-000140 | R635       |
| 2007-007001 | R636       |
| 2007-000162 | R637       |
| 2007-000171 | R641       |
| 2007-000171 | R644       |
| 2007-000171 | R645       |
| 2007-007001 | R646       |
| 2007-007001 | R650       |
| 2007-007001 | R651       |
| 2007-000143 | R652       |
| 2007-007001 | R653       |
| 2007-000162 | R662       |
| 2007-000162 | R664       |
| 2007-000147 | R666       |
| 2007-000171 | R701       |
| 2007-000172 | R703       |
| 2007-000171 | R705       |
| 2007-000758 | R706       |
| 2007-000160 | R707       |
| 2007-000171 | R708       |
| 2007-000172 | R709       |
| 2007-000171 | R712       |

| SEC Code    | Design LOC |
|-------------|------------|
| 2007-000171 | R713       |
| 2007-000171 | R714       |
| 2007-001319 | R719       |
| 2007-000171 | R721       |
| 2007-000171 | R722       |
| 2007-000157 | R801       |
| 2007-000170 | R802       |
| 2007-000157 | R803       |
| 2007-007308 | R805       |
| 2007-007308 | R807       |
| 2007-000171 | R809       |
| 2007-000171 | R810       |
| 2007-000171 | R811       |
| 2007-000171 | R812       |
| 2007-000171 | R813       |
| 2007-000162 | R817       |
| 2007-000171 | R818       |
| 2007-008137 | R901       |
| 2007-000162 | R902       |
| 2007-007200 | R903       |
| 2007-007200 | R904       |
| 2007-000162 | R905       |
| 2007-000162 | R906       |
| 2007-000172 | R907       |
| 2007-001308 | R908       |
| 2007-002797 | R909       |
| 2007-000138 | R911       |
| 2007-000148 | R912       |
| 2007-000171 | R913       |
| 2007-000171 | R914       |
| 3404-001143 | SW101      |
| 1405-001093 | TH601      |
| 1405-001093 | TH602      |
| 1405-001093 | TH603      |
| 1405-001093 | TH604      |
| 1405-001093 | TH605      |
| 1405-001093 | TH608      |
| 1405-001093 | TH609      |
| 1405-001093 | TH610      |

| SEC Code    | Design LOC |
|-------------|------------|
| 1405-001093 | TH613      |
| 1405-001093 | TH614      |
| 1405-001093 | TH615      |
| 1405-001093 | TH616      |
| 1405-001093 | TH617      |
| 1405-001093 | TH618      |
| 1405-001093 | TH619      |
| 1405-001093 | TH620      |
| 1405-001093 | TH621      |
| 1405-001093 | TH622      |
| 1405-001093 | TH623      |
| 1405-001093 | TH624      |
| 1405-001093 | TH625      |
| 1205-002185 | U1001      |
| 1205-002268 | U1002      |
| 1209-001434 | U1003      |
| 1201-001889 | U1004      |
| 2007-000173 | U1007      |
| 0801-002294 | U104       |
| 0801-000794 | U105       |
| 0801-002345 | U106       |
| 0801-000796 | U107       |
| 0902-001665 | U108       |
| 1203-001511 | U109       |
| 0801-000796 | U110       |
| 0801-000794 | U111       |
| 1204-002161 | U112       |
| 1106-001443 | U201       |
| 1107-001467 | U202       |
| 1105-001579 | U203       |
| 1107-001467 | U204       |
| 0801-002540 | U205       |
| 1203-002690 | U206       |
| 1203-001256 | U301       |
| 0505-001376 | U302       |
| 1203-002740 | U303       |
| 1203-001702 | U304       |
| 1203-001285 | U305       |
| 1203-002251 | U306       |



## SGH-I700 Electrical Parts List

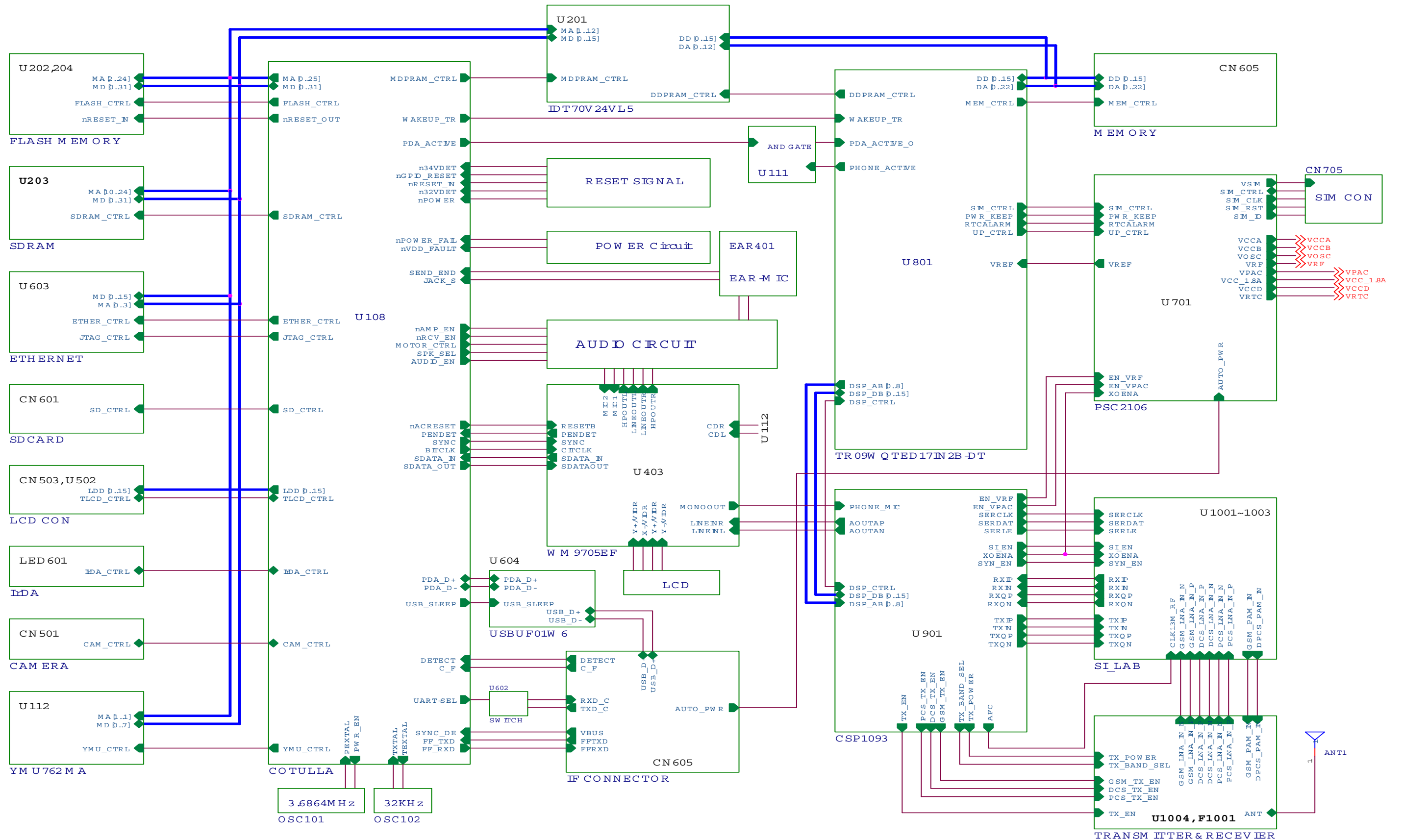
---

| SEC Code    | Design LOC |
|-------------|------------|
| 0505-001423 | U307       |
| 1203-002783 | U308       |
| 1203-001518 | U309       |
| 1203-002368 | U310       |
| 1203-002155 | U311       |
| 1203-001256 | U312       |
| 1203-001917 | U314       |
| 0801-000796 | U315       |
| 1203-002785 | U316       |
| 1203-002785 | U317       |
| 0801-002294 | U318       |
| 0801-002294 | U319       |
| 0801-002294 | U320       |
| 0801-002294 | U321       |
| 0505-001408 | U322       |
| 1203-003461 | U323       |
| 1203-001720 | U401       |
| 1203-001518 | U402       |
| 1205-002149 | U403       |
| 1201-001900 | U404       |
| 1201-001725 | U405       |
| 1001-001183 | U407       |
| 1001-001152 | U408       |
| 1201-001920 | U501       |
| 1301-001624 | U502       |
| 3409-001082 | U503       |
| 1203-002187 | U504       |
| 1203-002187 | U505       |
| 1203-002250 | U601       |
| 1001-001183 | U602       |
| 1203-001518 | U603       |
| 0407-001038 | U604       |
| 1201-001920 | U605       |
| 1203-003218 | U606       |
| 1203-002902 | U701       |
| 1109-001260 | U703       |
| GH09-00025A | U801       |
| 1209-001219 | U802       |
| 0801-000794 | U803       |

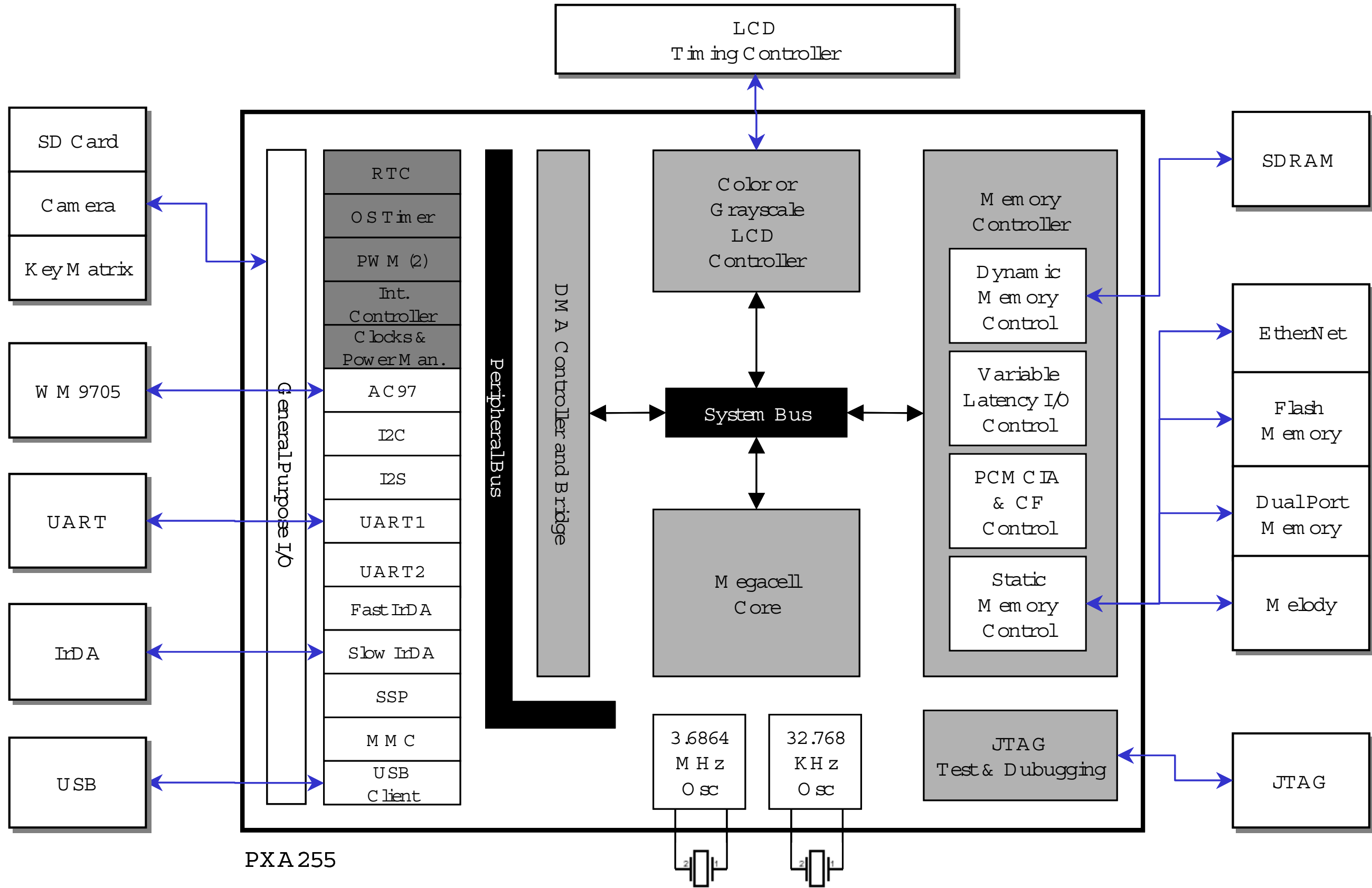
| SEC Code    | Design LOC |
|-------------|------------|
| 1204-001984 | U901       |
| 0504-001042 | U902       |
| 0504-001042 | U903       |
| 0504-001042 | U904       |
| 1405-001082 | V501       |
| 0406-001150 | V601       |
| 0406-001150 | V606       |
| 0406-001150 | V607       |
| 0406-001150 | V608       |
| 0403-001387 | ZD301      |
| 0406-001150 | ZD402      |
| 0406-001150 | ZD403      |
| 0406-001150 | ZD404      |
| 0406-001150 | ZD405      |
| 0406-001150 | ZD406      |
| 0406-001150 | ZD407      |
| 0406-001150 | ZD408      |
| 0406-001150 | ZD409      |
| 0406-001150 | ZD410      |
| 0406-001150 | ZD411      |
| 0406-001084 | ZD601      |
| 0406-001084 | ZD602      |
| 0406-001084 | ZD603      |
| 0406-001084 | ZD604      |
| 0406-001084 | ZD605      |

# 5. SGH-i700 Block Diagrams

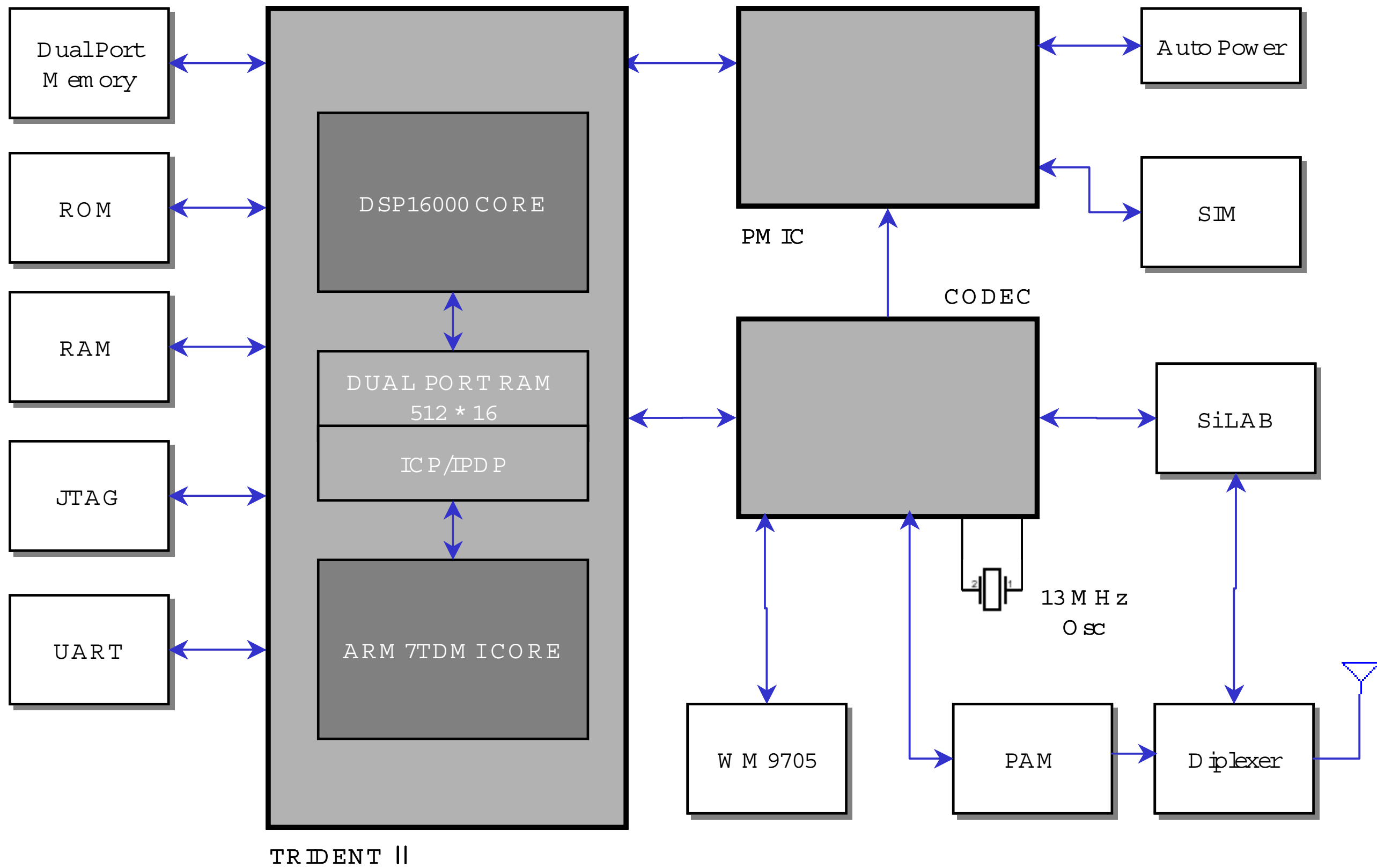
## 5-1. SGH-i700 Main Block Diagram



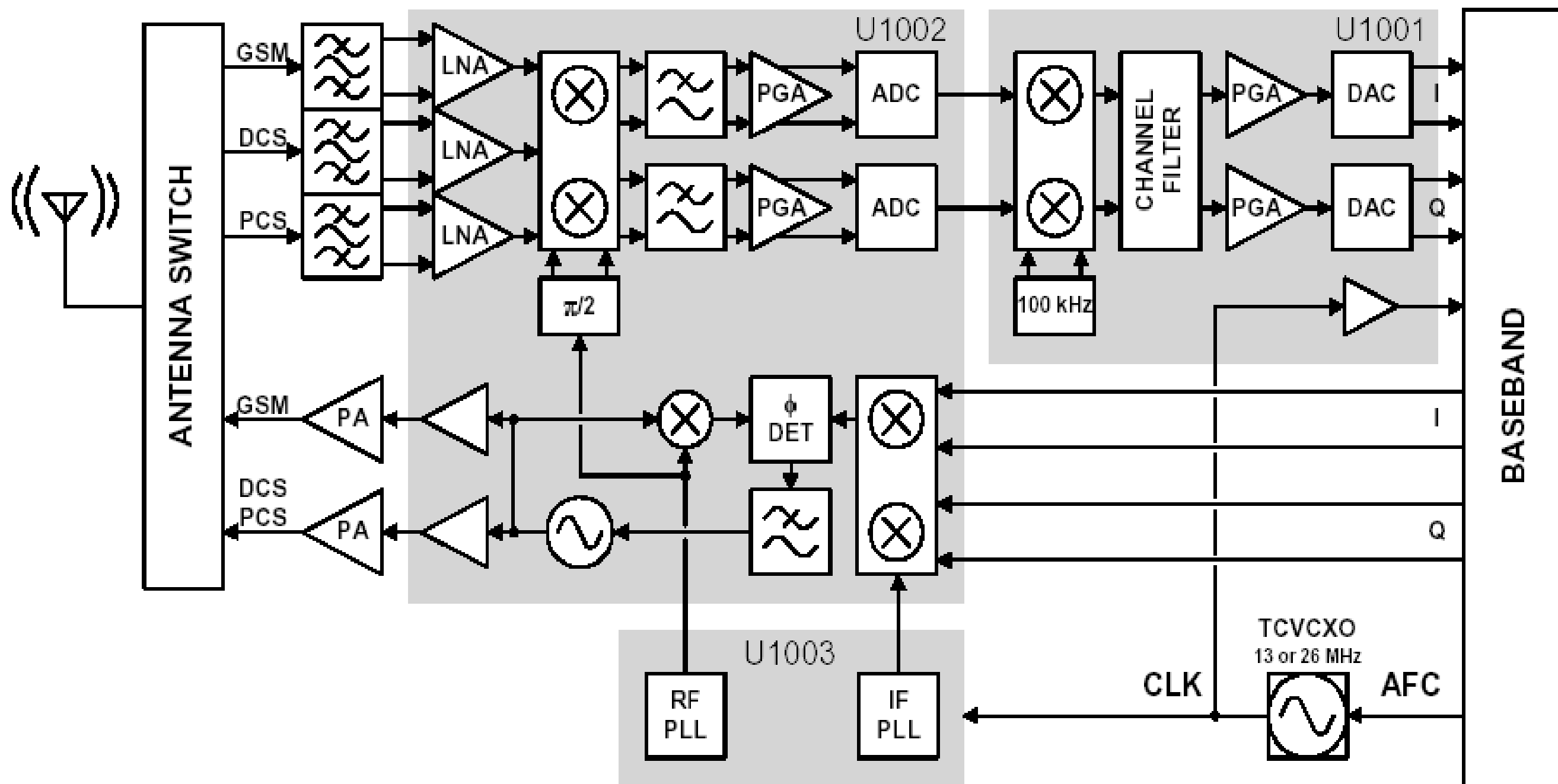
2. SGH-i700 PDA Block Diagram



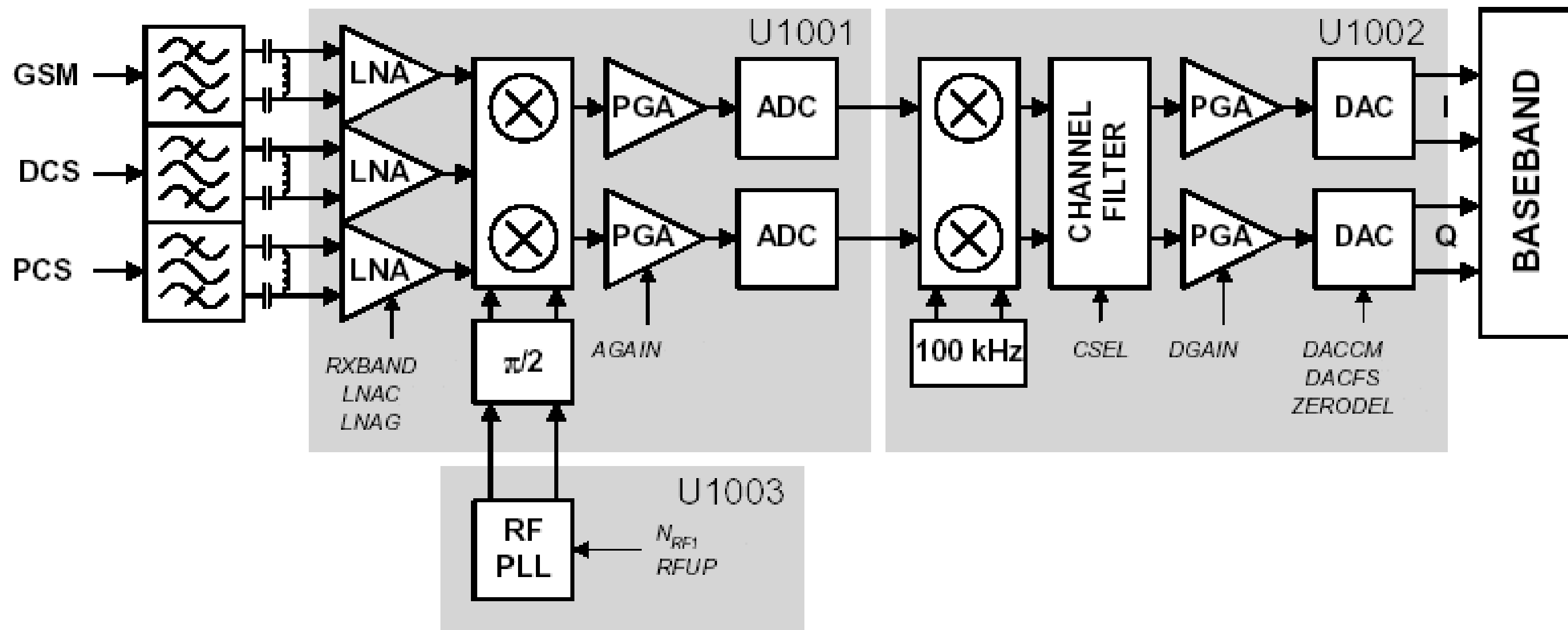
5-3. SGH-i700 Phone Block Diagram



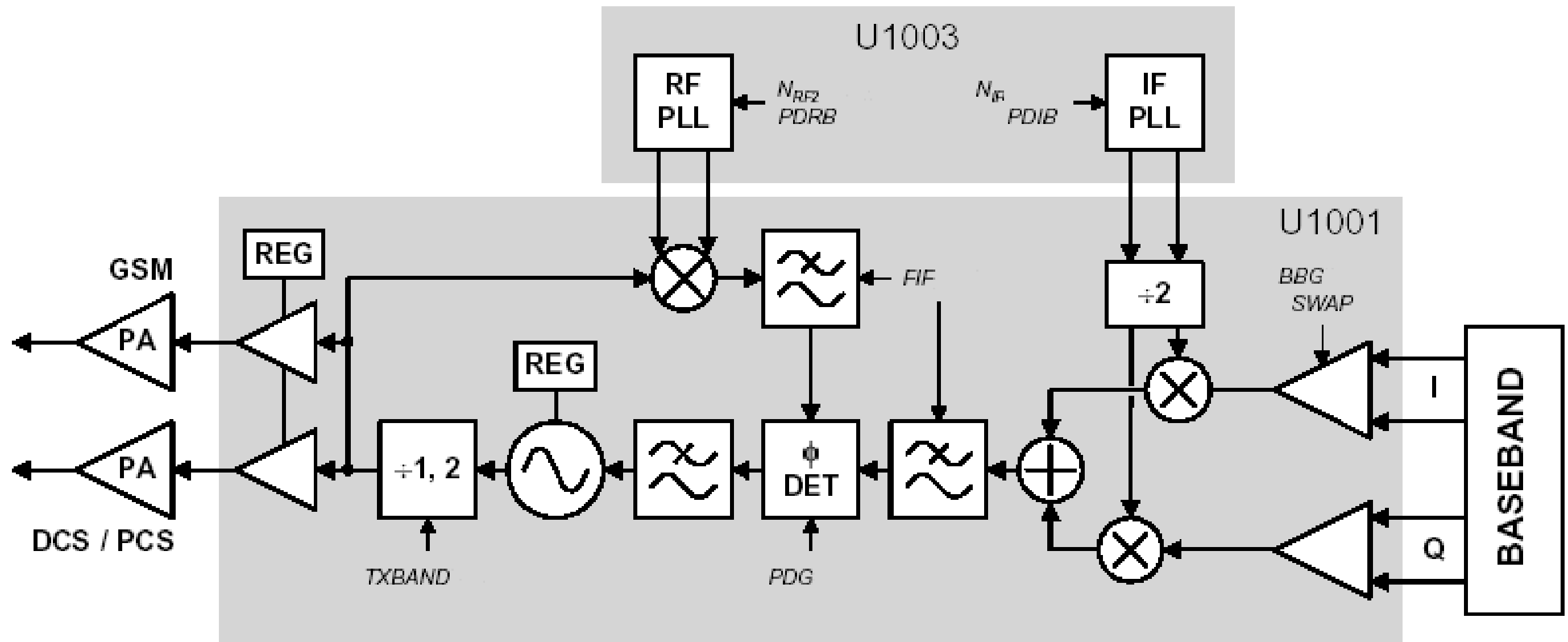
5-4. SGH-i700 RF Transceiver Block Diagram



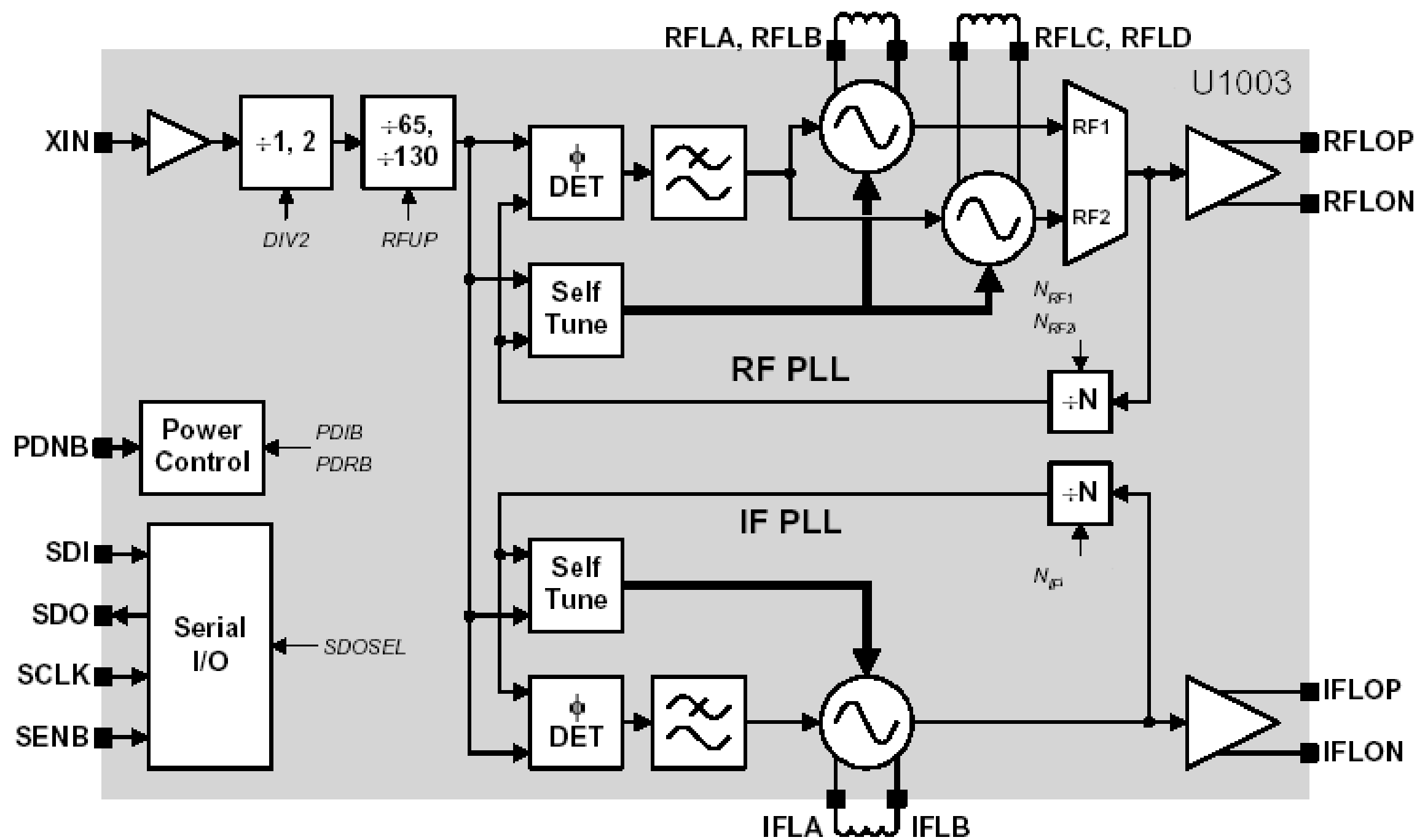
5-5. SGH-i700 RF Receiver Block Diagram



5-6. SGH-i700 RF Transmit Block Diagram



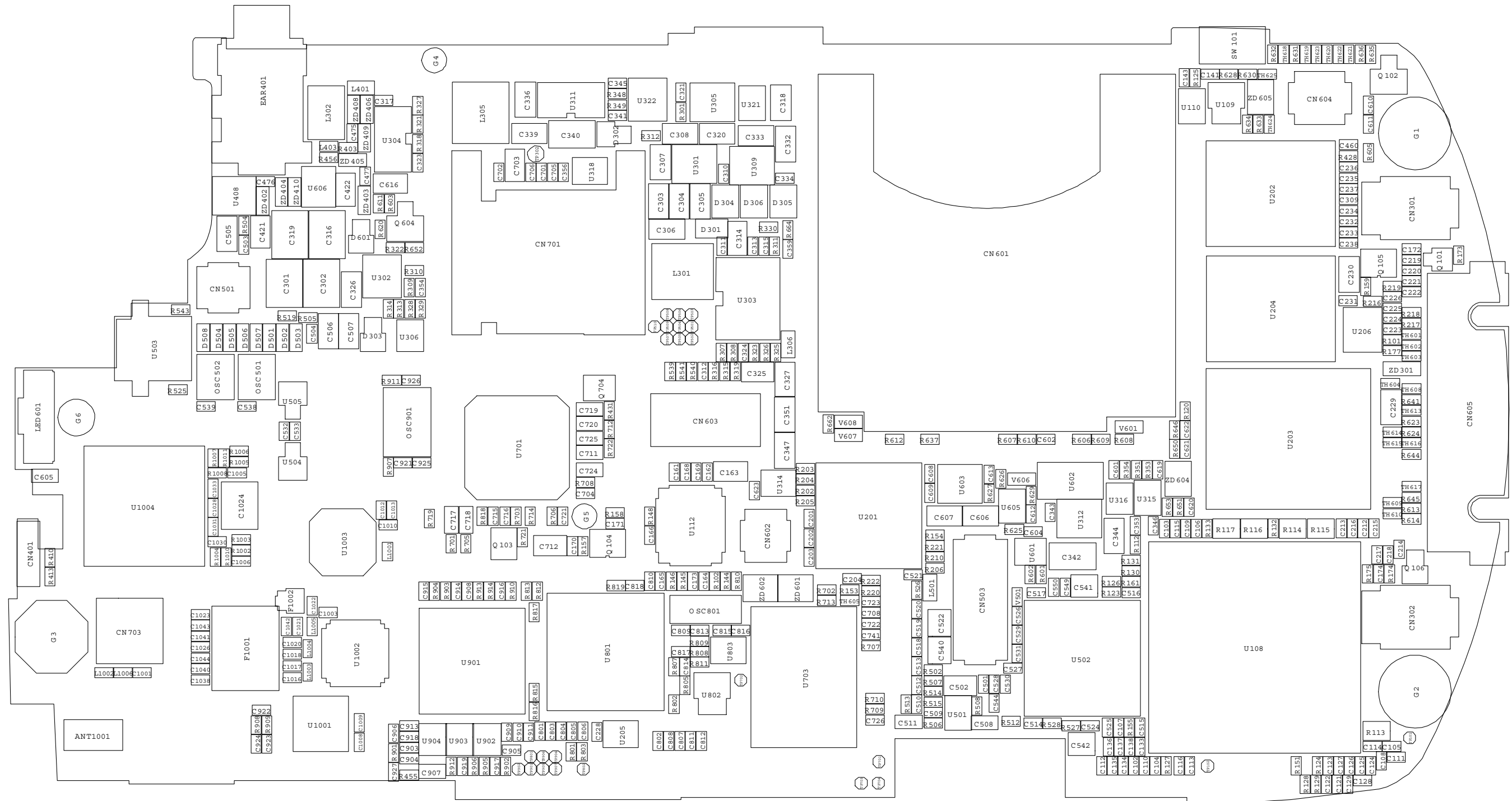
5-7. SGH-i700 RF Synthesizer Block Diagram





# 6. SGH-i700 PCB Diagrams

## 1.Main TOP Diagram



2. Main Bottom Diagram

