

SAMSUNG

GSM TELEPHONE

SGH-G600

SERVICE *Manual*

GSM TELEPHONE



CONTENTS

1. Safety Precautions
2. Specification
3. Product Function
4. Array course control
5. Exploded View and Part List
6. MAIN Electrical Parts List
7. Block Diagrams
8. PCB Diagrams
9. Flow Chart of Troubleshooting
10. Reference data
11. Disassembly and Assembly Instructions

**SAMSUNG
ELECTRONICS**



GSPN (Global Service Partner Network)

| Country | Web Site |
|------------------|---------------------------|
| North America | service.samsungportal.com |
| Latin America | latin.samsungportal.com |
| CIS | cis.samsungportal.com |
| Europe | europe.samsungportal.com |
| China | china.samsungportal.com |
| Asia | asia.samsungportal.com |
| Mideast & Africa | mea.samsungportal.com |

1. Safety Precautions

1-1. Repair Precaution

- Repair in Shield Box, during detailed tuning. Take specially care of tuning or test, because the specification of cellular phone is sensitive for surrounding interference(RF noise).
- Be careful to use a kind of magnetic object or tool, because performance of parts is damaged by the influence of magnetic force.
- Surely use a standard screwdriver when you disassemble this product, otherwise screw will be worn away.
- Use a thicken twisted wire when you measure level. A thicken twisted wire has low resistance, therefore error of measurement is few.
- Repair after separate Test Pack and Set because for short danger (for example an overcurrent and furious flames of parts etc) when you repair board in condition of connecting Test Pack and tuning on.
- Take specially care of soldering, because Land of PCB is small and weak in heat.
- Surely tune on/off while using AC power plug, because a repair of battery charger is dangerous when tuning ON/OFF PBA and Connector after disassembling charger.
- Don't use as you pleases after change other material than replacement registered on SEC System. Otherwise engineer in charge isn't charged with problem that you don't keep this rules.

1-2. ESD(Electrostatically Sensitive Devices) Precaution

Several semiconductor may be damaged easily by static electricity. Such parts are called by ESD (Electrostatically Sensitive Devices), for example IC,BGA chip etc. Read Precaution below.

You can prevent from ESD damage by static electricity.

- Remove static electricity remained your body before you touch semiconductor or parts with semiconductor. There are ways that you touch an earthed place or wear static electricity prevention string on wrist.
- Use earthed soldering steel when you connect or disconnect ESD.
- Use soldering removing tool to break static electricity. , otherwise ESD will be damaged by static electricity.
- Don't unpack until you set up ESD on product. Because most of ESD are packed by box and aluminum plate to have conductive power,they are prevented from static electricity.
- You must maintain electric contact between ESD and place due to be set up until ESD is connected completely to the proper place or a circuit board.

2. Specification

2-1. GSM General Specification

| | GSM850 Phase 1 | GSM900 Phase 1 | EGSM 900 Phase 2 | DCS1800 | PCS1900 |
|-------------------------------------|---------------------------|---------------------------|-----------------------------|------------------------|------------------------|
| Freq. Band[MHz] Uplink/Downlink | 824~849 869~894 | 890~915 935~960 | 880~915 925~960 | 1710~1785 1805~1880 | 1850~1910 1930~1990 |
| ARFCN range | 128~251 | 1~124 | 0~124 & 975~1023 | 512~885 | 512~810 |
| Tx/Rx spacing | 45MHz | 45MHz | 45MHz | 95MHz | 80MHz |
| Mod. Bit rate/ Bit Period | 270.833kbps 3.692us | 270.833kbps 3.692us | 270.833kbps 3.692us | 270.833kbps 3.692us | 270.833kbps 3.692us |
| Time Slot Period/Frame Period | 576.9us 4.615ms | 576.9us 4.615ms | 576.9us 4.615ms | 576.9us 4.615ms | 576.9us 4.615ms |
| Modulation | 0.3GMSK | 0.3GMSK | 0.3GMSK | 0.3GMSK | 0.3GMSK |
| MS Power | 33dBm~5dBm | 33dBm~5dBm | 33dBm~5dBm | 30dBm~0dBm | 30dBm~0dBm |
| Power Class | 5pcl ~ 19pcl | 5pcl ~ 19pcl | 5pcl ~ 19pcl | 0pcl ~ 15pcl | 0pcl ~ 15pcl |
| Sensitivity | -102dBm | -102dBm | -102dBm | -100dBm | -100dBm |
| TDMA Mux | 8 | 8 | 8 | 8 | 8 |
| Cell Radius | 35Km | 35Km | 35Km | 2Km | - |

2-2. GSM TX power class

| TX Power control level | GSM850 | GSM900 |
|------------------------|----------|----------|
| 5 | 33±2 dBm | 33±2 dBm |
| 6 | 31±2 dBm | 31±2 dBm |
| 7 | 29±2 dBm | 29±2 dBm |
| 8 | 27±2 dBm | 27±2 dBm |
| 9 | 25±2 dBm | 25±2 dBm |
| 10 | 23±2 dBm | 23±2 dBm |
| 11 | 21±2 dBm | 21±2 dBm |
| 12 | 19±2 dBm | 19±2 dBm |
| 13 | 17±2 dBm | 17±2 dBm |
| 14 | 15±2 dBm | 15±2 dBm |
| 15 | 13±2 dBm | 13±2 dBm |
| 16 | 11±3 dBm | 11±3 dBm |
| 17 | 9±3dBm | 9±3dBm |
| 18 | 7±3 dBm | 7±3 dBm |
| 19 | 5±3 dBm | 5±3 dBm |

| TX Power control level | DCS1800 | PCS1900 |
|------------------------|----------|----------|
| 0 | 30±3 dBm | 30±3 dBm |
| 1 | 28±3 dBm | 28±3 dBm |
| 2 | 26±3 dBm | 26±3 dBm |
| 3 | 24±3 dBm | 24±3 dBm |
| 4 | 22±3 dBm | 22±3 dBm |
| 5 | 20±3 dBm | 20±3 dBm |
| 6 | 18±3 dBm | 18±3 dBm |
| 7 | 16±3 dBm | 16±3 dBm |
| 8 | 14±3 dBm | 14±3 dBm |
| 9 | 12±4 dBm | 12±4 dBm |
| 10 | 10±4 dBm | 10±4 dBm |
| 11 | 8±4dBm | 8±4dBm |
| 12 | 6±4 dBm | 6±4 dBm |
| 13 | 4±4 dBm | 4±4 dBm |
| 14 | 2±5 dBm | 2±5 dBm |
| 15 | 0±5 dBm | 0±5 dBm |

3. Product Function

Main Function

- DC-Jack TA (700mA)
- MMS (Multimedia Message Service)
- J2ME JAVA (MIDP 2.0/CLDC 1.1)
- EMS (Enhanced Message Service)
- 64 Poly S/W MIDI
- Bluetooth 2.0 EDR
- FM Radio Support
- USB v1.2 High Speed Support
- MicroSD Card Support
- Active backlight control
- Quad band(850/900/1800/1900MHz)
- GPRS Class 10

4. Array course control

4-1. Software Adjustments



1. JIG Box(GH68-03306A): Download, Trace, Calibration, etc
2. RF test cable(GH39-00283A): RF test
3. Test cable(GH39-00838A): JIG to phone
4. Serial cable: PC to JIG

4-2. Software Downloading

4-2-1. Downloading Binary Files

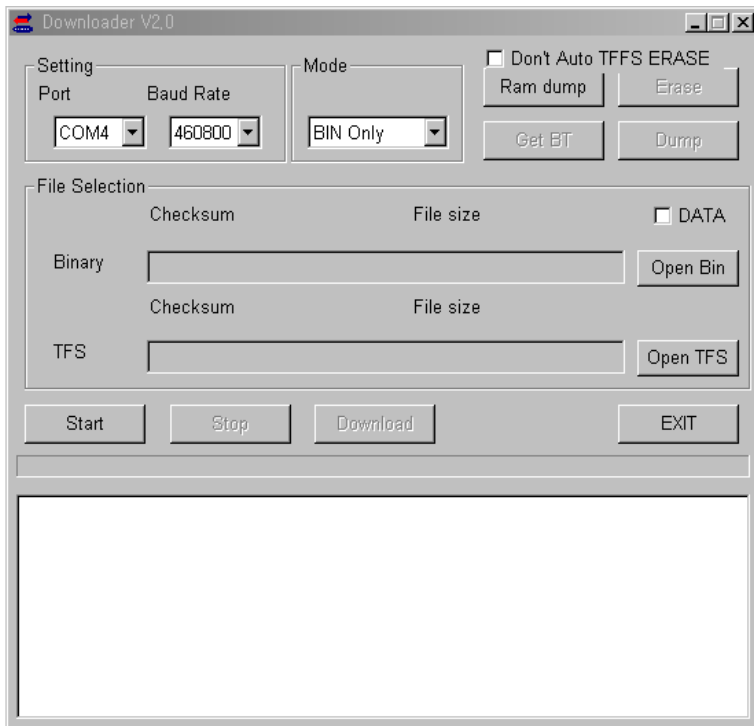
- 2 binary files for downloading G600
 - G600.cla
 - G600.tfs

4-2-2. Pre-requisite for Downloading

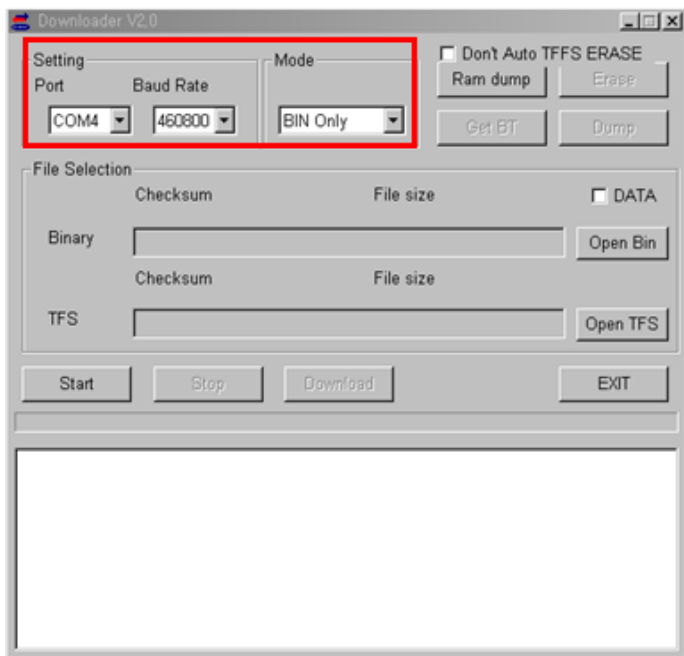
- Downloader Program
- SGH-G600 Mobile Phone
- JIG BOX
- Download JIG
- Test Cable
- Serial Cable
- Binary files

4-2-3. S/W Downloader Program

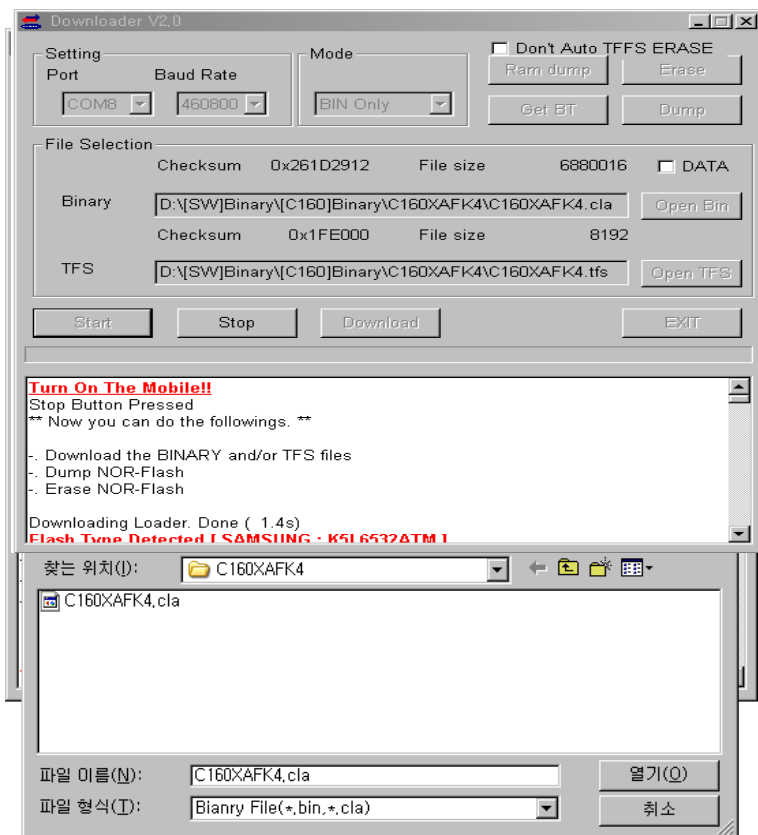
1. Load the binary download program by executing



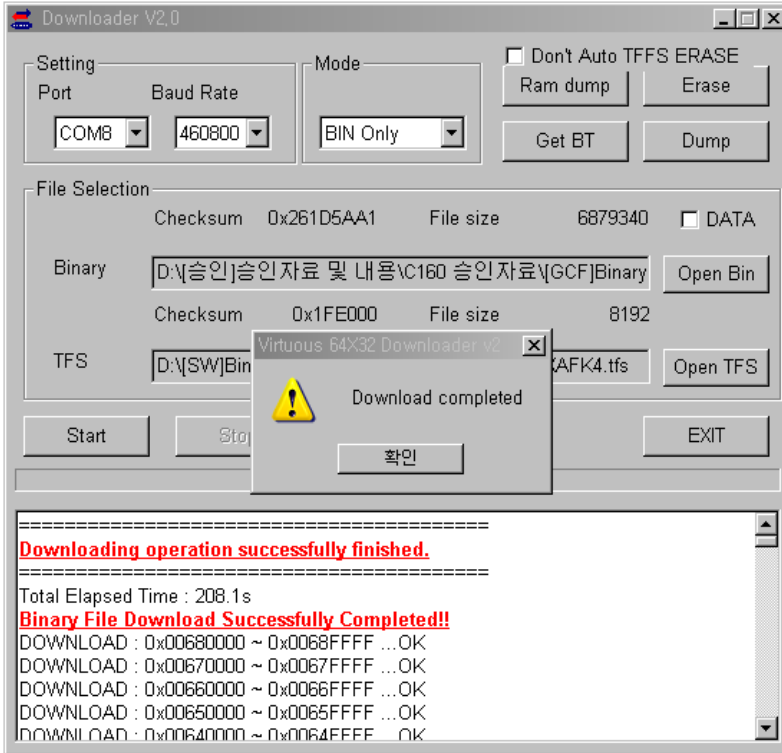
2. Select the Port, Baud Rate and Mode.



3. Select the binary files what you want to download

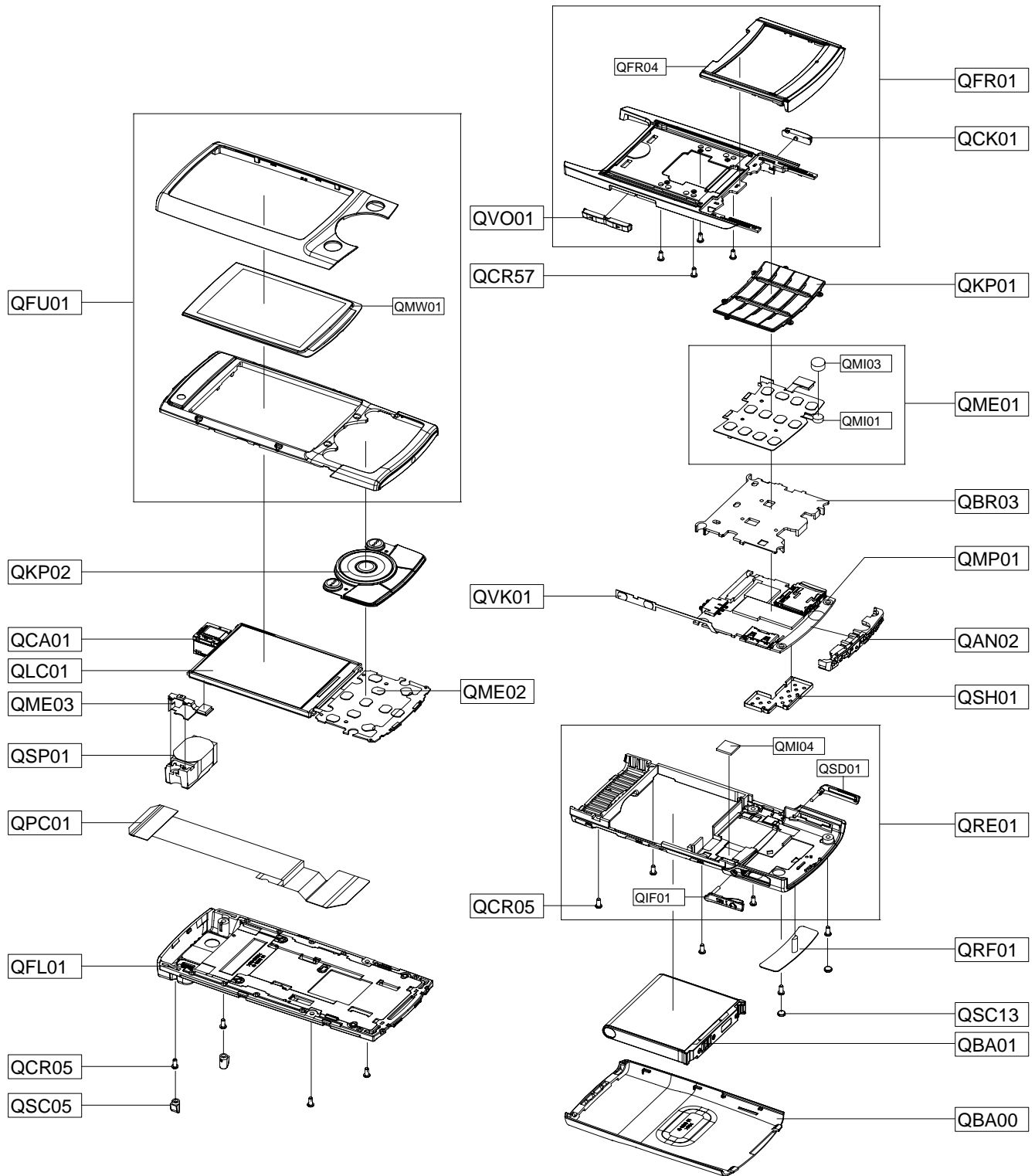


4. Press the "Start" button and connect the Handset
5. When downloading is complete, automatically the small window was showed up..



5. Exploded View and Parts List

5-1. Cellular phone Exploded View



5-2. Cellular phone Parts list

| Design LOC | Description | SEC CODE | |
|------------|--------------------------------|------------------------|-------------|
| QAN02 | INTENNA-SGHG600 | GH42-01290A | |
| QBA00 | PMO COVER-BATTERY | GH72-42760B | |
| QBA01 | INNER BATTERY PACK-880MAH , BL | GH43-02795A | |
| QBR03 | ASSY BRACKET-KEY | GH98-05613A | |
| QCA01 | CAMERA MODULE-5M | GH59-04643A | |
| QCK01 | PMO KEY-CAMERA | GH72-42790B | |
| QCR05 | SCREW-MACHINE | 6001-001478 | |
| QCR05 | SCREW-MACHINE | 6001-001478 | |
| QCR57 | SCREW-MACHINE | 6001-002001 | |
| QFL01 | ASSY CASE-SLIDE LOWER | GH98-05484B | |
| QKP01 | ASSY KEYPAD-MAIN(EU/E_BLK) | GH98-05489B | |
| QKP02 | ASSY KEYPAD-SUB(EU/E_BLK) | GH98-05488B | |
| QLC01 | MEA-LCD MODULE KIT | GH97-08026A | |
| QME02 | KEY FPCB-SUB KEY FPCB 10KEY | GH59-04700A | |
| QME03 | ASSY ETC-FLASH FPCB | GH59-04698A | |
| QMP01 | PBA MAIN-SGHG600 | GH92-03873A | |
| QPC01 | MEA-FPCBKIT | GH97-08027A | |
| QRF01 | PMO COVER-RF | GH72-44462B | |
| QSC05 | RMO RUBBER-LOWER SCREW CAP | GH73-10563B | |
| QSC13 | RMO RUBBER-REAR SCREW CAP | GH73-10741B | |
| QSH01 | ICT COVER-SHIELD CAN | GH70-02732A | |
| QSP01 | UNIT-SGHG600,SPK MODULE | GH59-04704A | |
| QVK01 | KEY FPCB-VOLUME KEY | GH59-04706A | |
| QVO01 | PMO KEY-VOLUME | GH72-42793B | |
| QME01 | KEY FPCB-MAIN KEY FPCB 12 KEY | GH59-04699A | |
| | QMI01 | AS-MIC SVC | GH81-06075A |
| | QMI03 | AS-SGHG600 MIC RUBBER | GH81-06836A |
| QFU01 | ASSY CASE-SLIDE UPPER | GH98-05483B | |
| | QMW01 | ASSY COVER-MAIN WINDOW | GH98-05487B |
| QFR01 | ASSY CASE-FRONT | GH98-05485B | |
| | QFR04 | ASSY DECO-FRONT | GH98-06134B |
| QRE01 | ASSY CASE-REAR | GH98-05486B | |
| | QIF01 | PMO COVER-IF | GH72-42772B |
| | QMI04 | RMO RUBBER-PMIC | GH73-10901A |
| | QSD01 | PMO COVER-SD | GH72-42764B |

| Description | SEC CODE |
|--------------------------------|-----------------|
| IC-MEMORY CARD | 1109-001363 |
| CONNECTOR-ADAPTOR | 3719-001319 |
| BAG PE | 6902-000634 |
| BAG ZIPPER | 6902-000683 |
| SCREW-MACHINE | 6001-001478 |
| MICROPHONE-ASSY-WEP210 | GH30-00312A |
| CBF INTERFACE-MIC CABLE(S20P,B | GH39-00913A |
| CBF INTERFACE-DLC APCBS10BBE(S | GH39-00922A |
| BATTERY-70MAH CORE PACK | GH43-02683A |
| ADAPTOR-ATADS10UBE,BLK,UK | GH44-01756A |
| S/W CD-SGH-G600 SAMSUNG PC STU | GH46-00490A |
| KEY FPCB-SIDE KEY | GH59-03784A |
| EARPHONE-EARPHONE,3 PLUG,BLK,E | GH59-04418A |
| ASSY ETC-CONVERSION PLUG | GH59-04444A |
| LABEL(P)-UNIT SEAL | GH68-00518B |
| LABEL(P)-IMEI | GH68-01335D |
| MANUAL-SFC LEAFLET | GH68-04822A |
| LABEL(R)-WATER SOAK | GH68-09361A |
| MANUAL USERS-EU ENGLISH | GH68-15425A |
| LABEL(R)-MAIN(EU) | GH68-15559A |
| MANUAL USERS-EU ENGLISH | GH68-15785A |
| BOX-UNIT(UK) | GH69-05703G |
| CUSHION-CASE(UK) | GH69-05706A |
| PMO DECO-UPPER TOP | GH72-35348C |
| PMO COVER-DC JACK | GH72-35353C |
| PMO-VOL KEY V2 | GH72-35354A |
| PMO CASE-EARPIECE | GH72-35513C |
| RMO-EAR RUBBER 1 | GH73-08109A |
| RMO-EAR RUBBER 4 | GH73-08112A |
| RMO-RUBBER MIC | GH73-08425A |
| RMO-RUBBER SCREW | GH73-08831A |
| RMO RUBBER-CHIP | GH73-10900A |
| MPR-CONN REMOVLA TAPE | GH74-04200A |
| MPR-TAPE MAIN KEY SOLDERING | GH74-22250A |
| MPR-INSU TAPE TOUCH CONN | GH74-27252A |
| MPR-SPONGE BATT | GH74-27787A |
| MPR-SPONGE MIC | GH74-27788A |
| TAPE-SPK CONN | GH74-33771A |
| TAPE-SLIDE CONN 2 | GH74-33773A |
| TAPE ELEC | GH74-33928A |
| TAPE ELEC | GH74-33929A |
| TAPE INSU-SUB FPCB | GH74-34636A |
| TAPE INSU | GH74-34638A |
| TAPE-ABSORBER CHIP | GH74-34639A |
| VINYL-BOHO WINDOW MAIN END | GH74-34806A |
| SPONGE | GH74-34853A |
| TAPE ELEC | GH74-34894A |
| PBA MAIN-IN HOUSE | GH92-03339A |
| ELA UNIT-WEP210, EBONY GRAY(EU | GH96-02761A |
| ASSY CASE-UPPER | GH98-02765D |
| ASSY CASE-LOWER | GH98-02766C |

6. Electrical Parts List

| Design LOC | Description | SEC CODE | STATUS |
|------------|-----------------|-------------|--------|
| ANT101 | ANTENNA-CHIP | 4202-001254 | SA |
| ANT102 | ANTENNA-CHIP | 4202-001255 | SA |
| BAT400 | BATTERY-LI(2ND) | 4302-001181 | SA |
| BTC600 | HEADER-BATTERY | 3711-006217 | SA |
| C100 | C-CER,CHIP | 2203-000233 | SA |
| C101 | C-CER,CHIP | 2203-005281 | SA |
| C101 | C-CER,CHIP | 2203-006824 | SA |
| C102 | C-CER,CHIP | 2203-001385 | SA |
| C102 | C-CER,CHIP | 2203-006194 | SA |
| C103 | C-CER,CHIP | 2203-002982 | SA |
| C103 | C-CER,CHIP | 2203-005281 | SA |
| C104 | C-CER,CHIP | 2203-002982 | SA |
| C104 | C-CER,CHIP | 2203-005281 | SA |
| C105 | C-CER,CHIP | 2203-005281 | SA |
| C105 | C-CER,CHIP | 2203-005729 | SA |
| C106 | C-CER,CHIP | 2203-005446 | SA |
| C106 | C-CER,CHIP | 2203-006647 | SA |
| C107 | C-CER,CHIP | 2203-000278 | SA |
| C107 | C-CER,CHIP | 2203-006647 | SA |
| C108 | C-CER,CHIP | 2203-000812 | SA |
| C108 | C-CER,CHIP | 2203-006824 | SA |
| C109 | C-CER,CHIP | 2203-005736 | SA |
| C109 | C-CER,CHIP | 2203-006647 | SA |
| C110 | C-CER,CHIP | 2203-005729 | SA |
| C110 | C-CER,CHIP | 2203-005736 | SA |
| C111 | C-CER,CHIP | 2203-005446 | SA |
| C111 | C-CER,CHIP | 2203-006194 | SA |
| C112 | C-CER,CHIP | 2203-000254 | SA |
| C112 | C-CER,CHIP | 2203-005736 | SA |
| C113 | C-TA,CHIP | 2404-001496 | SA |
| C114 | C-CER,CHIP | 2203-000812 | SA |
| C114 | C-CER,CHIP | 2203-006838 | SA |
| C115 | C-CER,CHIP | 2203-001385 | SA |
| C116 | C-CER,CHIP | 2203-000628 | SA |
| C117 | C-CER,CHIP | 2203-005281 | SA |
| C117 | C-CER,CHIP | 2203-005288 | SA |
| C118 | C-CER,CHIP | 2203-002668 | SA |
| C119 | C-CER,CHIP | 2203-005288 | SA |
| C119 | C-CER,CHIP | 2203-006439 | SNA |
| C120 | C-CER,CHIP | 2203-000330 | SA |
| C120 | C-CER,CHIP | 2203-006305 | SA |
| C121 | C-CER,CHIP | 2203-002709 | SA |
| C122 | C-CER,CHIP | 2203-006305 | SA |
| C123 | C-CER,CHIP | 2203-000233 | SA |
| C123 | C-CER,CHIP | 2203-006260 | SA |
| C124 | C-CER,CHIP | 2203-006562 | SA |
| C125 | C-CER,CHIP | 2203-006562 | SA |
| C126 | C-CER,CHIP | 2203-006048 | SA |
| C127 | C-CER,CHIP | 2203-006994 | SA |
| C128 | C-CER,CHIP | 2203-005482 | SA |
| C129 | C-CER,CHIP | 2203-002709 | SA |
| C130 | C-CER,CHIP | 2203-006838 | SA |
| C131 | C-CER,CHIP | 2203-000438 | SA |
| C132 | C-CER,CHIP | 2203-006423 | SA |
| C133 | C-CER,CHIP | 2203-006423 | SA |
| C134 | C-CER,CHIP | 2203-000438 | SA |

| Design LOC | Description | SEC CODE | STATUS |
|-------------------|--------------------|-----------------|---------------|
| C135 | C-CER,CHIP | 2203-000438 | SA |
| C136 | C-CER,CHIP | 2203-002668 | SA |
| C137 | C-CER,CHIP | 2203-006838 | SA |
| C138 | C-CER,CHIP | 2203-006423 | SA |
| C139 | C-CER,CHIP | 2203-000278 | SA |
| C140 | C-CER,CHIP | 2203-006842 | SA |
| C200 | C-CER,CHIP | 2203-005482 | SA |
| C201 | C-CER,CHIP | 2203-000812 | SA |
| C202 | C-CER,CHIP | 2203-005482 | SA |
| C203 | C-CER,CHIP | 2203-005482 | SA |
| C204 | C-CER,CHIP | 2203-005482 | SA |
| C205 | C-CER,CHIP | 2203-005482 | SA |
| C206 | C-CER,CHIP | 2203-005482 | SA |
| C207 | C-CER,CHIP | 2203-006423 | SA |
| C208 | C-CER,CHIP | 2203-005482 | SA |
| C209 | C-CER,CHIP | 2203-000254 | SA |
| C210 | C-CER,CHIP | 2203-005482 | SA |
| C211 | C-CER,CHIP | 2203-005682 | SA |
| C212 | C-CER,CHIP | 2203-006423 | SA |
| C213 | C-CER,CHIP | 2203-006423 | SA |
| C214 | C-CER,CHIP | 2203-006399 | SA |
| C215 | C-CER,CHIP | 2203-006423 | SA |
| C216 | C-CER,CHIP | 2203-006423 | SA |
| C217 | C-CER,CHIP | 2203-006399 | SA |
| C218 | C-CER,CHIP | 2203-006562 | SA |
| C219 | C-CER,CHIP | 2203-000425 | SA |
| C220 | C-CER,CHIP | 2203-000425 | SA |
| C300 | C-CER,CHIP | 2203-006423 | SA |
| C301 | C-CER,CHIP | 2203-006423 | SA |
| C302 | C-CER,CHIP | 2203-006423 | SA |
| C303 | C-CER,CHIP | 2203-006423 | SA |
| C304 | C-CER,CHIP | 2203-006423 | SA |
| C305 | C-CER,CHIP | 2203-006423 | SA |
| C306 | C-CER,CHIP | 2203-006423 | SA |
| C307 | C-CER,CHIP | 2203-006423 | SA |
| C308 | C-CER,CHIP | 2203-006423 | SA |
| C309 | C-CER,CHIP | 2203-006562 | SA |
| C310 | C-CER,CHIP | 2203-006562 | SA |
| C312 | C-CER,CHIP | 2203-006048 | SA |
| C313 | C-CER,CHIP | 2203-006048 | SA |
| C314 | C-CER,CHIP | 2203-006048 | SA |
| C315 | C-CER,CHIP | 2203-006048 | SA |
| C316 | C-CER,CHIP | 2203-006423 | SA |
| C317 | C-CER,CHIP | 2203-006423 | SA |
| C318 | C-CER,CHIP | 2203-006423 | SA |
| C319 | C-CER,CHIP | 2203-006423 | SA |
| C320 | C-CER,CHIP | 2203-006423 | SA |
| C321 | C-CER,CHIP | 2203-006324 | SA |
| C322 | C-CER,CHIP | 2203-006208 | SA |
| C323 | C-CER,CHIP | 2203-006048 | SA |
| C324 | C-CER,CHIP | 2203-006260 | SA |
| C325 | C-CER,CHIP | 2203-006121 | SA |
| C326 | C-CER,CHIP | 2203-000330 | SA |
| C327 | C-CER,CHIP | 2203-000330 | SA |
| C400 | C-CER,CHIP | 2203-006257 | SA |
| C401 | C-CER,CHIP | 2203-006208 | SA |

| Design LOC | Description | SEC CODE | STATUS |
|-------------------|--------------------|-----------------|---------------|
| C402 | C-CER,CHIP | 2203-006257 | SA |
| C403 | C-CER,CHIP | 2203-006257 | SA |
| C404 | C-CER,CHIP | 2203-006208 | SA |
| C405 | C-CER,CHIP | 2203-006257 | SA |
| C406 | C-CER,CHIP | 2203-006208 | SA |
| C407 | C-CER,CHIP | 2203-006257 | SA |
| C408 | C-CER,CHIP | 2203-006257 | SA |
| C409 | C-CER,CHIP | 2203-000233 | SA |
| C410 | C-CER,CHIP | 2203-000425 | SA |
| C411 | C-CER,CHIP | 2203-006348 | SA |
| C412 | C-CER,CHIP | 2203-006562 | SA |
| C413 | C-CER,CHIP | 2203-000425 | SA |
| C414 | C-CER,CHIP | 2203-005482 | SA |
| C418 | C-CER,CHIP | 2203-006257 | SA |
| C419 | C-CER,CHIP | 2203-006324 | SA |
| C420 | C-CER,CHIP | 2203-005482 | SA |
| C421 | C-CER,CHIP | 2203-006208 | SA |
| C422 | C-CER,CHIP | 2203-006562 | SA |
| C423 | C-CER,CHIP | 2203-006201 | SA |
| C424 | C-CER,CHIP | 2203-006361 | SA |
| C425 | C-CER,CHIP | 2203-006474 | SA |
| C426 | C-CER,CHIP | 2203-006562 | SA |
| C427 | C-CER,CHIP | 2203-006562 | SA |
| C501 | C-CER,CHIP | 2203-005482 | SA |
| C502 | C-CER,CHIP | 2203-005482 | SA |
| C504 | C-CER,CHIP | 2203-006399 | SA |
| C505 | C-CER,CHIP | 2203-006399 | SA |
| C506 | C-CER,CHIP | 2203-005993 | SA |
| C507 | C-CER,CHIP | 2203-006399 | SA |
| C508 | C-CER,CHIP | 2203-005993 | SA |
| C509 | C-CER,CHIP | 2203-006399 | SA |
| C510 | C-CER,CHIP | 2203-006562 | SA |
| C511 | C-CER,CHIP | 2203-006562 | SA |
| C512 | C-CER,CHIP | 2203-005482 | SA |
| C514 | C-CER,CHIP | 2203-005482 | SA |
| C515 | C-CER,CHIP | 2203-005482 | SA |
| C516 | C-CER,CHIP | 2203-000386 | SA |
| C517 | C-CER,CHIP | 2203-000386 | SA |
| C519 | C-CER,CHIP | 2203-005482 | SA |
| C520 | C-CER,CHIP | 2203-001259 | SA |
| C521 | C-CER,CHIP | 2203-005482 | SA |
| C523 | C-CER,CHIP | 2203-006562 | SA |
| C524 | C-CER,CHIP | 2203-006260 | SA |
| C525 | C-CER,CHIP | 2203-006260 | SA |
| C526 | C-CER,CHIP | 2203-006260 | SA |
| C527 | C-CER,CHIP | 2203-006260 | SA |
| C600 | C-CER,CHIP | 2203-000425 | SA |
| C601 | C-CER,CHIP | 2203-001437 | SA |
| C602 | C-CER,CHIP | 2203-001259 | SA |
| C603 | C-CER,CHIP | 2203-000995 | SA |
| C604 | C-CER,CHIP | 2203-001437 | SA |
| C605 | C-CER,CHIP | 2203-000425 | SA |
| C609 | C-CER,CHIP | 2203-006423 | SA |
| C610 | C-CER,CHIP | 2203-006896 | SA |
| C612 | C-CER,CHIP | 2203-005061 | SA |
| C614 | C-CER,CHIP | 2203-005482 | SA |

| Design LOC | Description | SEC CODE | STATUS |
|-------------------|-----------------------|-----------------|---------------|
| C615 | C-CER,CHIP | 2203-000254 | SA |
| C617 | C-CER,CHIP | 2203-006423 | SA |
| C618 | C-CER,CHIP | 2203-000233 | SA |
| C619 | C-CER,CHIP | 2203-000995 | SA |
| C620 | C-CER,CHIP | 2203-000679 | SA |
| C702 | C-CER,CHIP | 2203-000386 | SA |
| C704 | C-CER,CHIP | 2203-006562 | SA |
| C705 | C-CER,CHIP | 2203-006562 | SA |
| C706 | C-CER,CHIP | 2203-006399 | SA |
| C707 | C-CER,CHIP | 2203-000812 | SA |
| C708 | C-CER,CHIP | 2203-005682 | SA |
| C709 | C-CER,CHIP | 2203-005682 | SA |
| C710 | C-CER,CHIP | 2203-005682 | SA |
| C711 | C-CER,CHIP | 2203-005682 | SA |
| C712 | C-CER,CHIP | 2203-005682 | SA |
| C713 | C-CER,CHIP | 2203-005682 | SA |
| C714 | C-CER,CHIP | 2203-005682 | SA |
| C715 | C-CER,CHIP | 2203-006562 | SA |
| C717 | C-CER,CHIP | 2203-005682 | SA |
| C718 | C-CER,CHIP | 2203-005682 | SA |
| C719 | C-CER,CHIP | 2203-005682 | SA |
| C720 | C-CER,CHIP | 2203-005682 | SA |
| C721 | C-CER,CHIP | 2203-005682 | SA |
| C722 | C-CER,CHIP | 2203-005682 | SA |
| C723 | C-CER,CHIP | 2203-005682 | SA |
| C724 | C-CER,CHIP | 2203-005682 | SA |
| C725 | C-CER,CHIP | 2203-005682 | SA |
| C726 | C-CER,CHIP | 2203-005682 | SA |
| C728 | C-CER,CHIP | 2203-000812 | SA |
| C729 | C-CER,CHIP | 2203-005682 | SA |
| C730 | C-CER,CHIP | 2203-005682 | SA |
| C731 | C-CER,CHIP | 2203-005682 | SA |
| C732 | C-CER,CHIP | 2203-005682 | SA |
| CD700 | CONNECTOR-CARD EDGE | 3709-001464 | SA |
| CN100 | CONNECTOR-COAXIAL | 3705-001358 | SA |
| CON101 | JACK-DC POWER | 3722-002433 | SA |
| D101 | DIODE-ZENER | 0403-001547 | SA |
| D600 | DIODE-TVS | 0406-001208 | SA |
| D601 | DIODE-TVS | 0406-001208 | SA |
| D602 | DIODE-TVS | 0406-001231 | SA |
| D603 | DIODE-TVS | 0406-001231 | SA |
| D604 | DIODE-TVS | 0406-001231 | SA |
| D605 | DIODE-TVS | 0406-001203 | SA |
| D700 | DIODE-TVS | 0406-001208 | SA |
| D701 | DIODE-TVS | 0406-001208 | SA |
| D702 | DIODE-TVS | 0406-001223 | SA |
| D703 | DIODE-TVS | 0406-001223 | SA |
| D704 | DIODE-TVS | 0406-001223 | SA |
| D705 | DIODE-TVS | 0406-001223 | SA |
| F100 | DUPLEXER-FEM | 2911-000076 | SA |
| F101 | FILTER-LC | 2909-001279 | SA |
| F101 | FILTER-LC | 2909-001283 | SA |
| F600 | FILTER-EMI SMD | 2901-001408 | SA |
| HDC700 | HEADER-BOARD TO BOARD | 3711-006326 | SA |
| HDC701 | HEADER-BOARD TO BOARD | 3711-006593 | SA |
| IFC600 | SOCKET-INTERFACE | 3710-002523 | SA |

| Design LOC | Description | SEC CODE | STATUS |
|-------------------|---------------------|-----------------|---------------|
| L100 | ICT-ON-BOARD CLIP | GH70-02367A | SA |
| L101 | INDUCTOR-SMD | 2703-002901 | SNA |
| L101 | ICT-ON-BOARD CLIP | GH70-02367A | SA |
| L102 | INDUCTOR-SMD | 2703-003095 | SA |
| L102 | ICT-ON-BOARD CLIP | GH70-02367A | SA |
| L103 | INDUCTOR-SMD | 2703-002795 | SNA |
| L103 | ICT-ON-BOARD CLIP | GH70-02367A | SA |
| L104 | INDUCTOR-SMD | 2703-002649 | SNA |
| L104 | ICT-ON-BOARD CLIP | GH70-02367A | SA |
| L105 | ICT-ON-BOARD CLIP | GH70-02367A | SA |
| L106 | INDUCTOR-SMD | 2703-002208 | SA |
| L107 | INDUCTOR-SMD | 2703-002281 | SA |
| L108 | INDUCTOR-SMD | 2703-002314 | SA |
| L110 | INDUCTOR-SMD | 2703-002558 | SA |
| L111 | INDUCTOR-SMD | 2703-002558 | SA |
| L112 | INDUCTOR-SMD | 2703-002608 | SA |
| L113 | INDUCTOR-SMD | 2703-002608 | SA |
| L115 | BEAD-SMD | 3301-001534 | SA |
| L116 | BEAD-SMD | 3301-001659 | SA |
| L117 | INDUCTOR-SMD | 2703-002198 | SA |
| L300 | INDUCTOR-SMD | 2703-002866 | SA |
| L301 | INDUCTOR-SMD | 2703-001231 | SNA |
| L401 | INDUCTOR-SMD | 2703-002861 | SA |
| L500 | BEAD-SMD | 3301-001729 | SA |
| L501 | BEAD-SMD | 3301-001729 | SA |
| L503 | BEAD-SMD | 3301-001438 | SA |
| L505 | BEAD-SMD | 3301-001438 | SA |
| L506 | BEAD-SMD | 3301-001812 | SA |
| L601 | BEAD-SMD | 3301-001812 | SA |
| L602 | BEAD-SMD | 3301-001812 | SA |
| L603 | BEAD-SMD | 3301-001812 | SA |
| L605 | INDUCTOR-SMD | 2703-002910 | SA |
| L606 | INDUCTOR-SMD | 2703-001673 | SA |
| OSC100 | CRYSTAL-SMD | 2801-004426 | SA |
| OSC101 | CRYSTAL-SMD | 2801-004568 | SA |
| OSC300 | CRYSTAL-SMD | 2801-004285 | SA |
| OSC400 | CRYSTAL-SMD | 2801-004339 | SA |
| PAM500 | IC-AUDIO AMP | 1201-002492 | SA |
| PM400 | IC-POWER SUPERVISOR | 1203-004382 | SA |
| Q100 | FET-SILICON | 0505-002088 | SA |
| QCR05 | SCREW-MACHINE | 6001-001478 | SA |
| QCR05 | SCREW-MACHINE | 6001-001478 | SA |
| QCR05 | SCREW-MACHINE | 6001-001478 | SA |
| QCR57 | SCREW-MACHINE | 6001-002001 | SA |
| R100 | R-CHIP | 2007-000140 | SA |
| R101 | R-CHIP | 2007-000566 | SA |
| R101 | R-CHIP | 2007-008056 | SA |
| R102 | R-CHIP | 2007-000143 | SA |
| R102 | R-CHIP | 2007-009108 | SA |
| R103 | R-CHIP | 2007-008516 | SA |
| R104 | R-CHIP | 2007-000162 | SA |
| R104 | R-CHIP | 2007-008516 | SA |
| R105 | R-CHIP | 2007-000162 | SA |
| R105 | R-CHIP | 2007-008516 | SA |
| R106 | R-CHIP | 2007-007489 | SA |
| R106 | R-CHIP | 2007-008516 | SA |

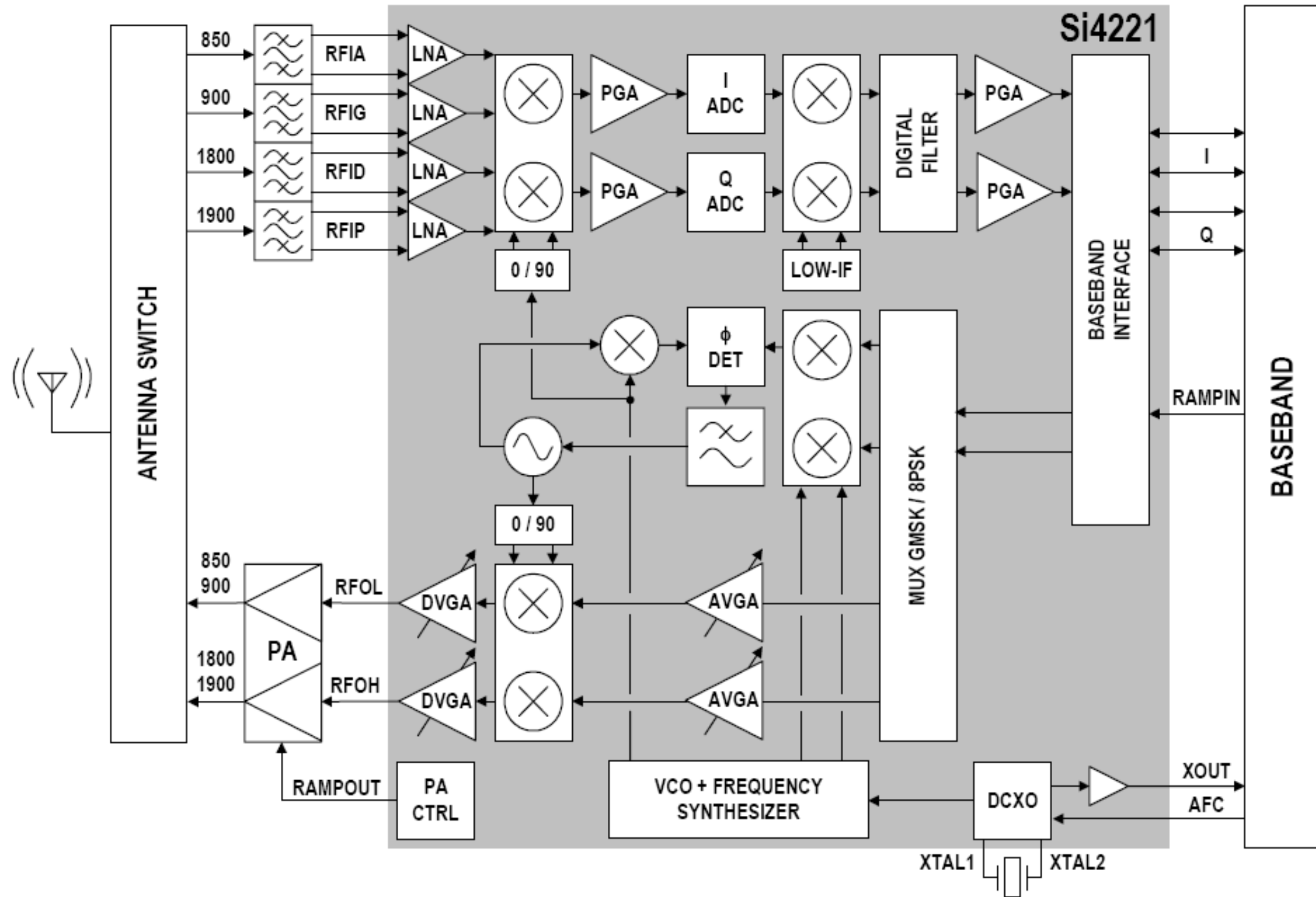
| Design LOC | Description | SEC CODE | STATUS |
|-------------------|--------------------|-----------------|---------------|
| R107 | R-CHIP | 2007-001316 | SA |
| R108 | R-CHIP | 2007-008056 | SA |
| R109 | R-CHIP | 2007-000141 | SA |
| R110 | R-CHIP | 2007-008420 | SA |
| R111 | R-CHIP | 2007-008420 | SA |
| R112 | R-CHIP | 2007-003015 | SA |
| R113 | R-CHIP | 2007-008516 | SA |
| R115 | R-CHIP | 2007-000148 | SA |
| R116 | R-CHIP | 2007-008544 | SA |
| R117 | R-CHIP | 2007-008544 | SA |
| R118 | R-CHIP | 2007-000566 | SA |
| R119 | R-CHIP | 2007-000163 | SA |
| R120 | R-CHIP | 2007-003015 | SA |
| R121 | R-CHIP | 2007-000148 | SA |
| R122 | R-CHIP | 2007-000566 | SA |
| R123 | R-CHIP | 2007-000171 | SA |
| R203 | R-CHIP | 2007-000148 | SA |
| R204 | R-CHIP | 2007-000758 | SA |
| R205 | R-CHIP | 2007-009314 | SA |
| R206 | R-CHIP | 2007-008419 | SA |
| R207 | R-CHIP | 2007-008055 | SA |
| R208 | R-CHIP | 2007-000148 | SA |
| R209 | R-CHIP | 2007-001319 | SA |
| R210 | R-CHIP | 2007-001319 | SA |
| R211 | R-CHIP | 2007-008055 | SA |
| R212 | R-CHIP | 2007-000148 | SA |
| R305 | R-CHIP | 2007-008045 | SA |
| R307 | R-CHIP | 2007-003013 | SA |
| R308 | R-CHIP | 2007-003013 | SA |
| R311 | R-CHIP | 2007-008478 | SA |
| R313 | R-CHIP | 2007-001290 | SA |
| R316 | R-CHIP | 2007-001290 | SA |
| R317 | R-CHIP | 2007-009084 | SA |
| R318 | R-CHIP | 2007-009084 | SA |
| R319 | R-CHIP | 2007-008055 | SA |
| R322 | R-CHIP | 2007-007316 | SA |
| R323 | R-CHIP | 2007-000170 | SA |
| R324 | R-CHIP | 2007-000162 | SA |
| R325 | R-CHIP | 2007-007009 | SA |
| R326 | R-CHIP | 2007-001156 | SA |
| R400 | R-CHIP | 2007-007573 | SA |
| R402 | R-CHIP | 2007-008354 | SA |
| R403 | BEAD-SMD | 3301-001659 | SA |
| R408 | R-CHIP | 2007-000171 | SA |
| R410 | R-CHIP | 2007-001333 | SA |
| R411 | R-CHIP | 2007-007311 | SA |
| R412 | R-CHIP | 2007-000141 | SA |
| R413 | R-CHIP | 2007-000162 | SA |
| R414 | R-CHIP | 2007-002796 | SA |
| R415 | R-CHIP | 2007-000162 | SA |
| R416 | R-CHIP | 2007-000758 | SA |
| R417 | R-CHIP | 2007-000162 | SA |
| R501 | R-CHIP | 2007-008542 | SA |
| R502 | R-CHIP | 2007-008420 | SA |
| R503 | R-CHIP | 2007-008420 | SA |
| R504 | R-CHIP | 2007-000157 | SA |

| Design LOC | Description | SEC CODE | STATUS |
|-------------------|---------------------|-----------------|---------------|
| R507 | R-CHIP | 2007-007528 | SA |
| R508 | R-CHIP | 2007-000171 | SA |
| R509 | R-CHIP | 2007-007528 | SA |
| R510 | R-CHIP | 2007-000148 | SA |
| R511 | R-CHIP | 2007-007528 | SA |
| R512 | R-CHIP | 2007-007528 | SA |
| R513 | R-CHIP | 2007-002796 | SA |
| R514 | R-CHIP | 2007-000140 | SA |
| R515 | R-CHIP | 2007-002796 | SA |
| R600 | R-CHIP | 2007-009170 | SA |
| R601 | R-CHIP | 2007-007107 | SA |
| R602 | R-CHIP | 2007-009112 | SNA |
| R603 | R-CHIP | 2007-007741 | SA |
| R604 | R-CHIP | 2007-007334 | SA |
| R606 | R-CHIP | 2007-001333 | SA |
| R607 | R-CHIP | 2007-007741 | SA |
| R608 | R-CHIP | 2007-008800 | SA |
| R609 | R-CHIP | 2007-000162 | SA |
| R610 | R-CHIP | 2007-000162 | SA |
| R611 | BEAD-SMD | 3301-001917 | SA |
| R612 | R-CHIP | 2007-000148 | SA |
| R700 | R-CHIP | 2007-009112 | SNA |
| R701 | R-CHIP | 2007-000159 | SA |
| R703 | R-CHIP | 2007-000159 | SA |
| R704 | R-CHIP | 2007-000159 | SA |
| R705 | R-CHIP | 2007-000159 | SA |
| R706 | R-CHIP | 2007-000157 | SA |
| R707 | R-CHIP | 2007-000165 | SA |
| R708 | R-CHIP | 2007-000166 | SA |
| R709 | R-CHIP | 2007-008055 | SA |
| R712 | R-CHIP | 2007-000143 | SA |
| R713 | R-CHIP | 2007-000143 | SA |
| SIM400 | CONNECTOR-CARD EDGE | 3709-001447 | SA |
| TA101 | C-TA,CHIP | 2404-001381 | SA |
| TA300 | C-TA,CHIP | 2404-001381 | SA |
| TA400 | C-TA,CHIP | 2404-001381 | SA |
| TA401 | C-TA,CHIP | 2404-001225 | SA |
| TA500 | C-TA,CHIP | 2404-001396 | SA |
| TA501 | C-TA,CHIP | 2404-001396 | SA |
| TA502 | C-TA,CHIP | 2404-001430 | SA |
| TA503 | C-TA,CHIP | 2404-001226 | SA |
| TA504 | C-TA,CHIP | 2404-001414 | SA |
| TA505 | C-TA,CHIP | 2404-001225 | SA |
| TA506 | C-TA,CHIP | 2404-001414 | SA |
| TA507 | C-TA,CHIP | 2404-001225 | SA |
| TA600 | C-TA,CHIP | 2404-001381 | SA |
| TA601 | C-TA,CHIP | 2404-001381 | SA |
| U100 | IC-POWER AMP | 1201-002423 | SA |
| U101 | IC-POSI.FIXED REG. | 1203-003688 | SA |
| U101 | IC-DATA COMM./GEN. | 1205-002748 | SA |
| U102 | IC-TRANSCEIVER | 1205-003093 | SA |
| U103 | IC-CMOS LOGIC | 0801-003012 | SA |
| U104 | IC-TRANSCEIVER | 1205-002942 | SA |
| U300 | IC-POSI.FIXED REG. | 1203-003737 | SA |
| U301 | IC-DC/DC CONVERTER | 1203-004548 | SA |
| U302 | IC-ANALOG MULTIPLEX | 1001-001472 | SA |

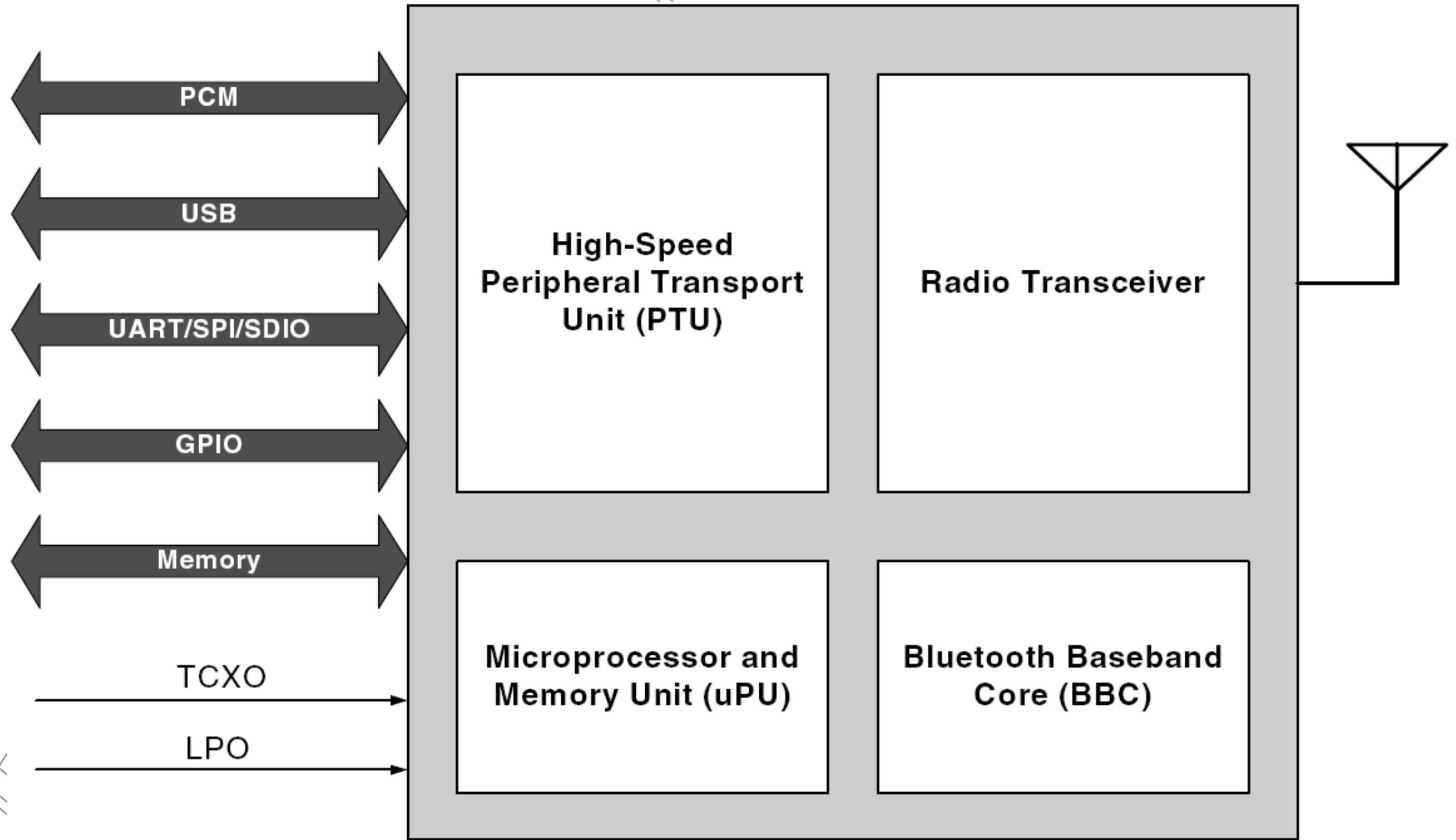
| Design LOC | Description | SEC CODE | STATUS |
|-------------------|---------------------|-----------------|---------------|
| U401 | IC-POSI.FIXED REG. | 1203-003737 | SA |
| U402 | IC-POSI.FIXED REG. | 1203-003737 | SA |
| U500 | IC-POSI.FIXED REG. | 1203-003737 | SA |
| U501 | IC-ANALOG MULTIPLEX | 1001-001447 | SA |
| U503 | IC-ANALOG MULTIPLEX | 1001-001349 | SA |
| U504 | IC-ANALOG MULTIPLEX | 1001-001447 | SA |
| U600 | IC-ANALOG SWITCH | 1001-001394 | SA |
| U601 | IC-DEMODULATOR | 1204-002688 | SA |
| U700 | IC-POSI.FIXED REG. | 1203-003815 | SA |
| UCD300 | IC ASIC-SGHG600 | GH13-00059A | SA |
| UCD500 | IC-CODEC | 1205-003214 | SA |
| UCP200 | IC-COMM. CONTROLLER | 1205-003082 | SA |
| UME200 | IC-MCP | 1108-000112 | SA |
| UPL200 | IC-CMOS LOGIC | 0801-003022 | SA |
| UPL700 | FET-SILICON | 0505-002111 | SA |
| V601 | VARISTOR | 1405-001183 | SA |
| VR101 | VARISTOR | 1405-001082 | SA |
| VR102 | VARISTOR | 1405-001082 | SA |
| VR103 | VARISTOR | 1405-001093 | SA |
| VR104 | VARISTOR | 1405-001082 | SA |
| VR105 | VARISTOR | 1405-001082 | SA |
| VR106 | VARISTOR | 1405-001082 | SA |
| VR107 | VARISTOR | 1405-001093 | SA |
| VR110 | VARISTOR | 1405-001167 | SA |
| VR600 | THERMISTOR-NTC | 1404-001221 | SA |
| ZD101 | DIODE-SCHOTTKY | 0404-001172 | SA |
| ZD600 | DIODE-ZENER | 0403-001547 | SA |
| ZD601 | DIODE-TVS | 0406-001254 | SA |
| ZD602 | DIODE-TVS | 0406-001267 | SA |
| ZD603 | DIODE-TVS | 0406-001267 | SA |
| ZD604 | DIODE-TVS | 0406-001223 | SA |
| ZD605 | DIODE-TVS | 0406-001223 | SA |

7. Block Diagrams

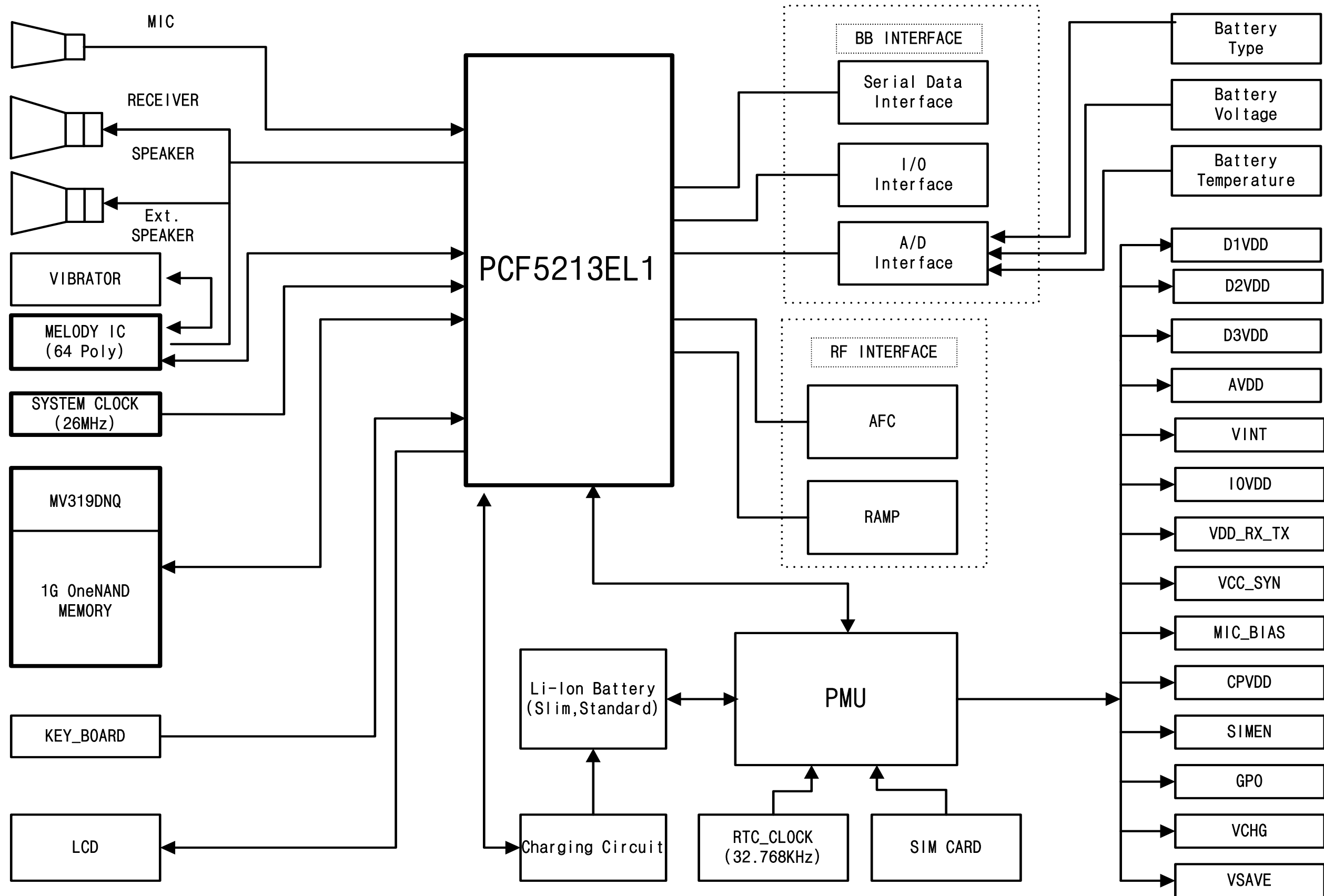
7-1. RF Solution Block Diagram



7-2. BT Solution Block Diagram

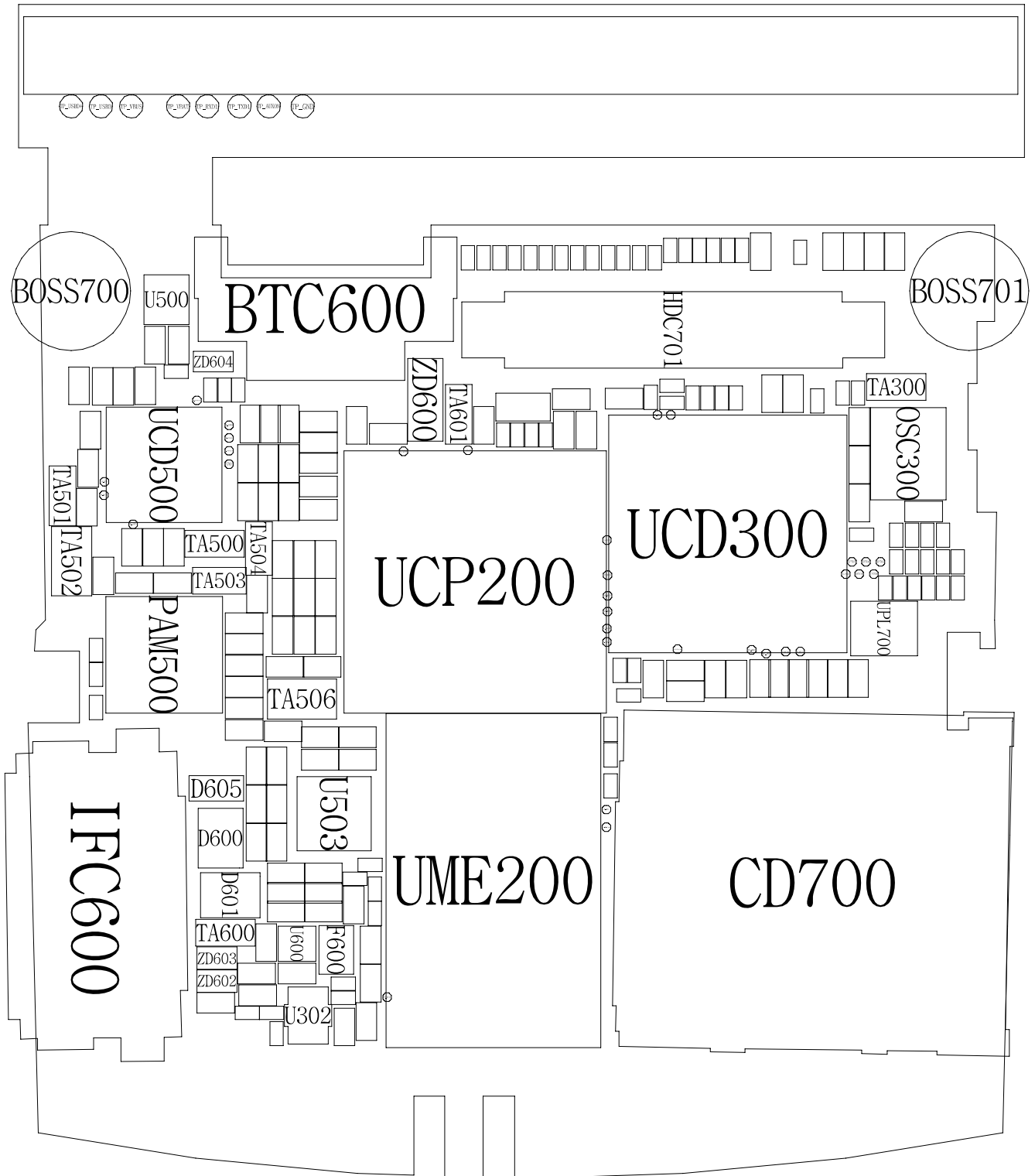


7-3. Base Band Solution Block Diagram

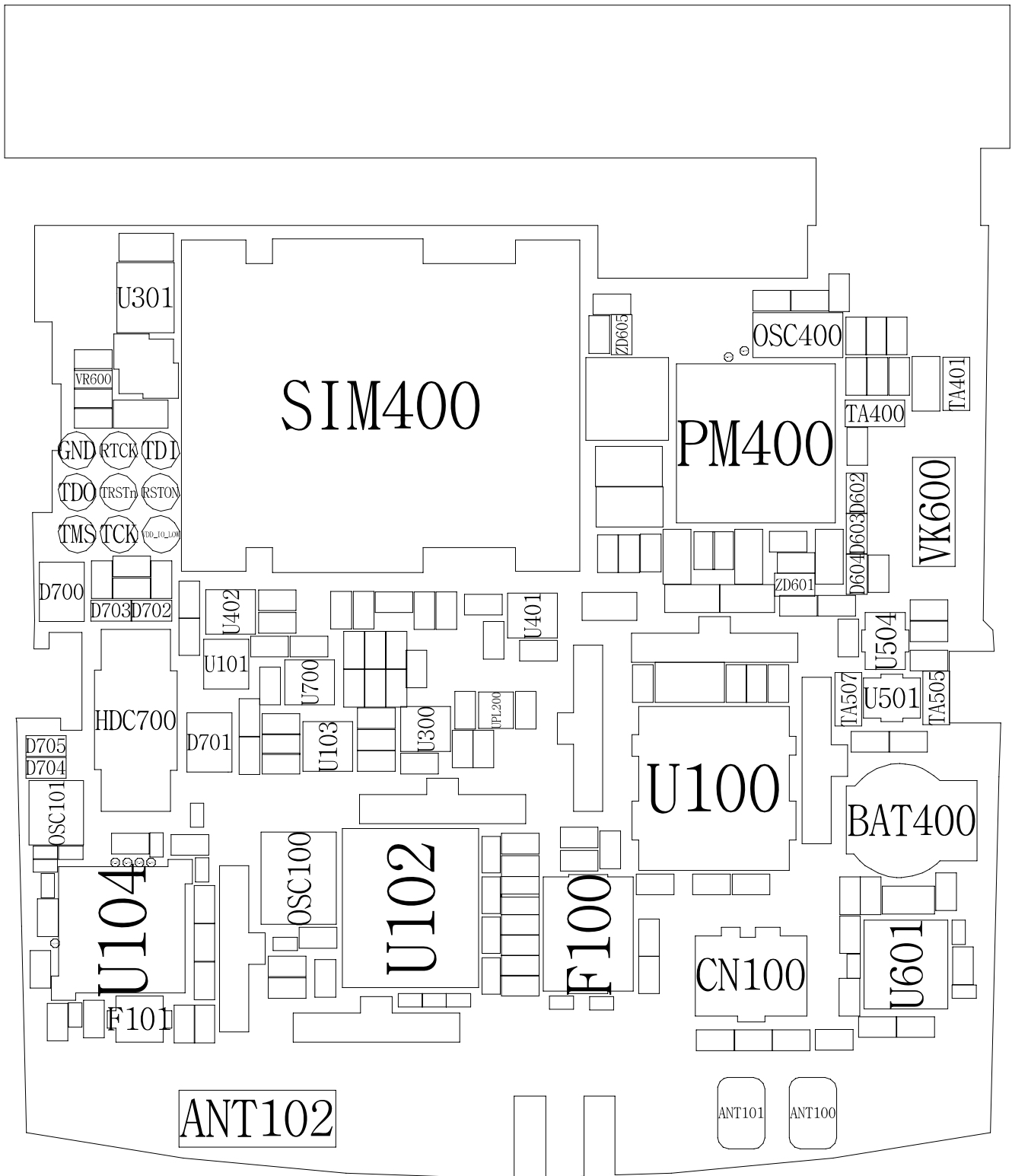


8. PCB Diagrams

Top

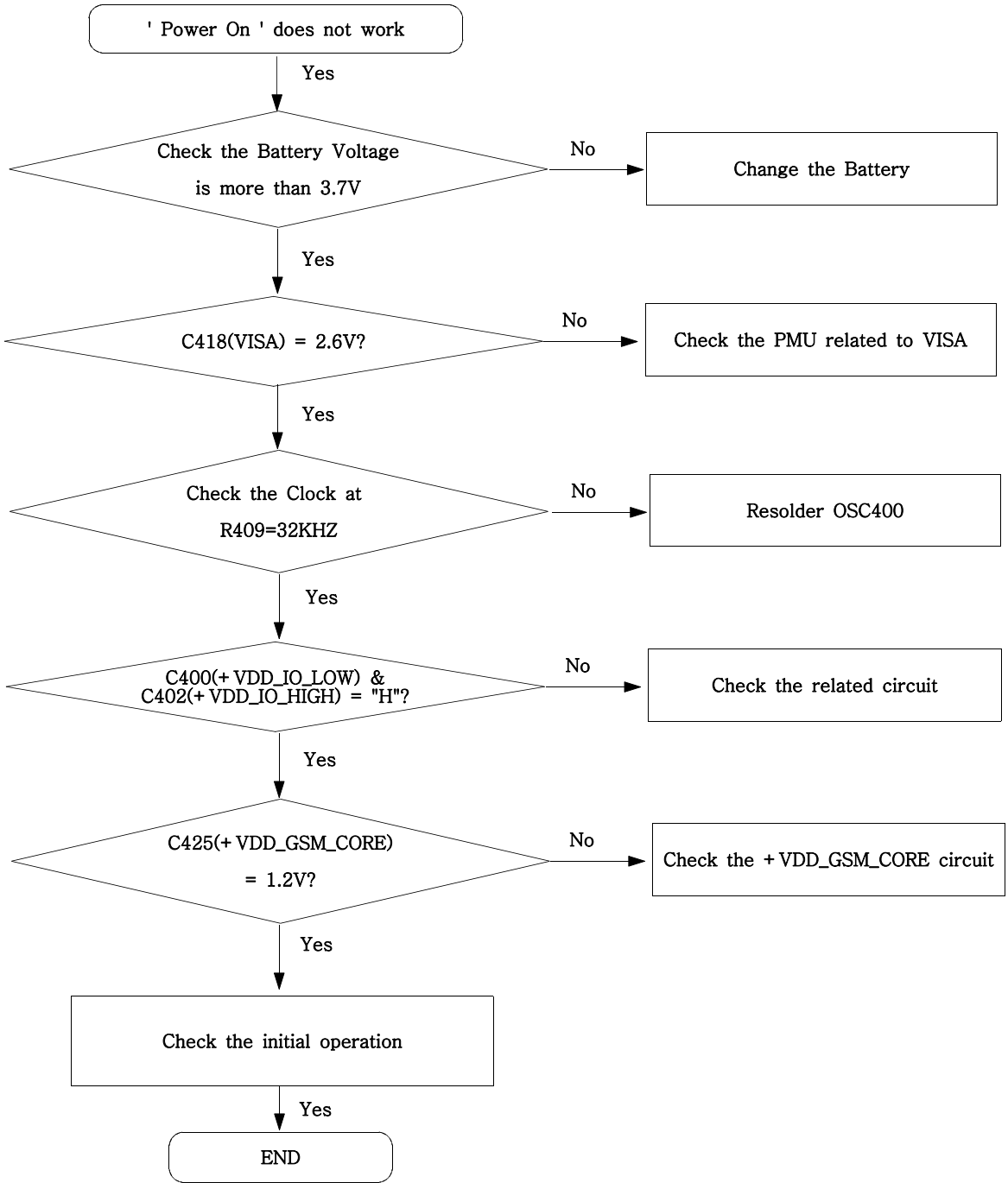


Bottom

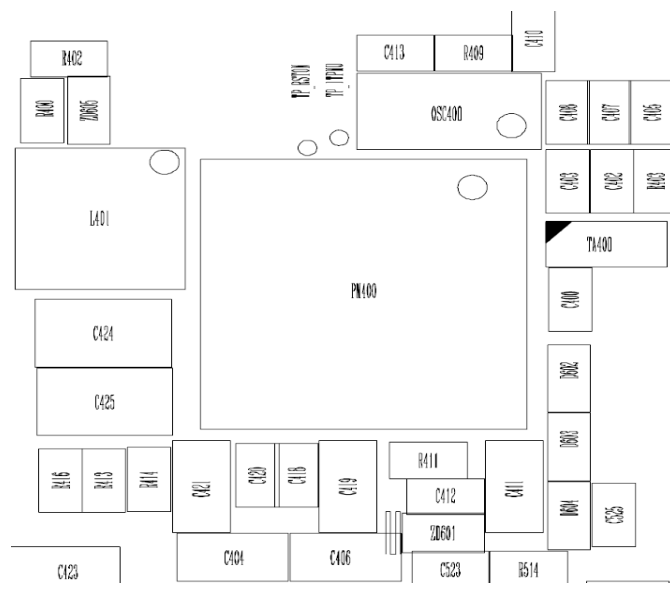
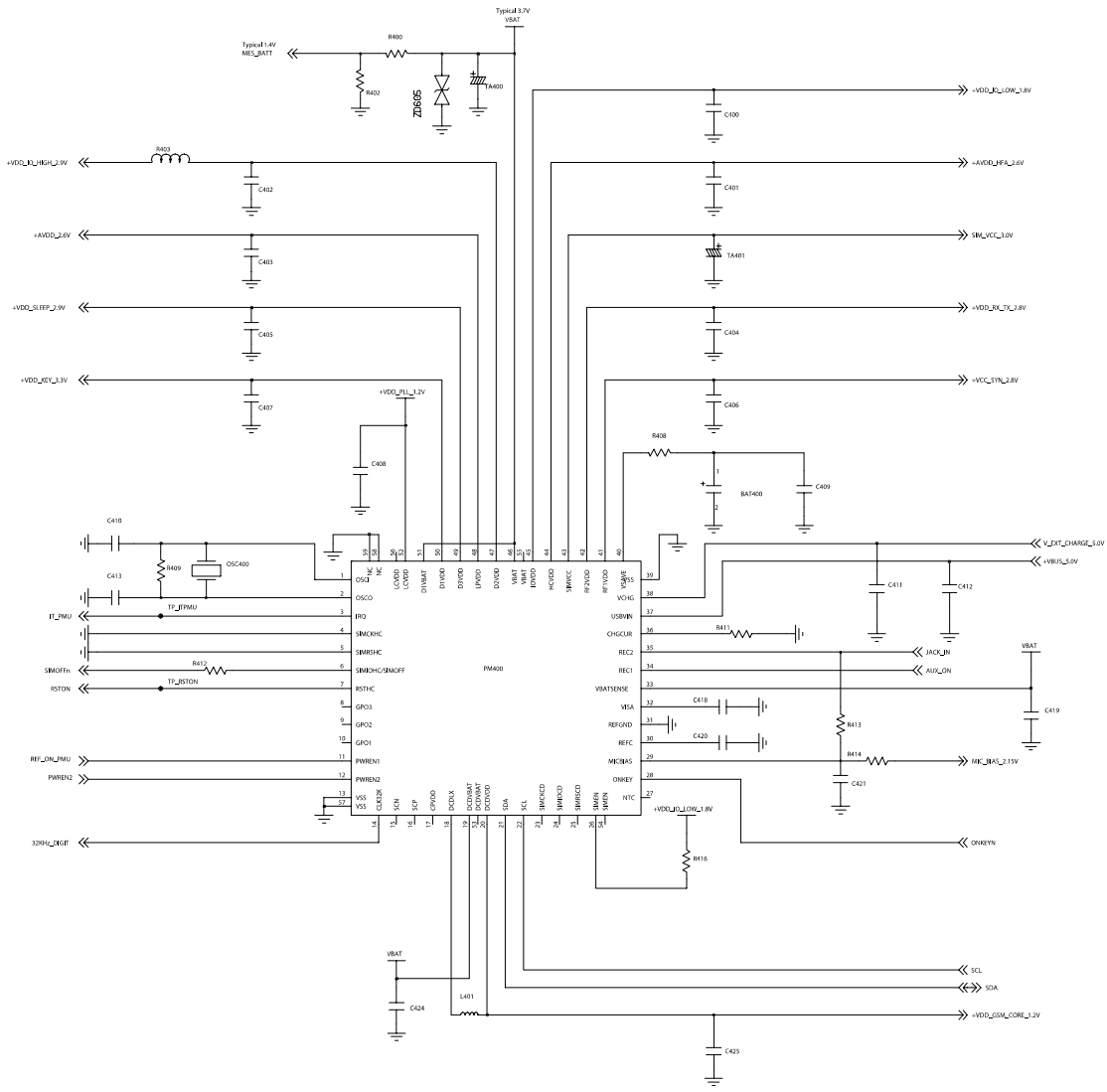


9. Flow Chart of Troubleshooting

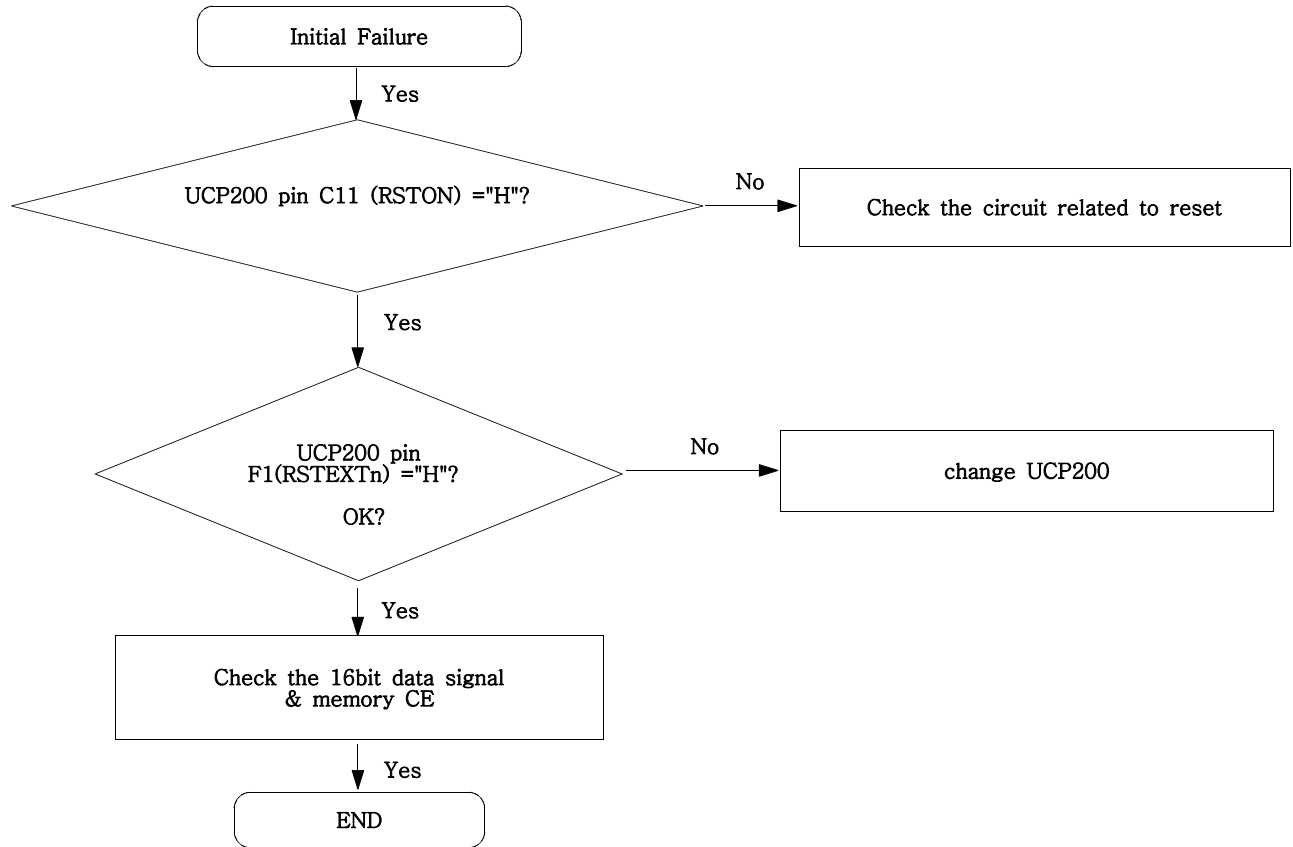
9-1. Power On



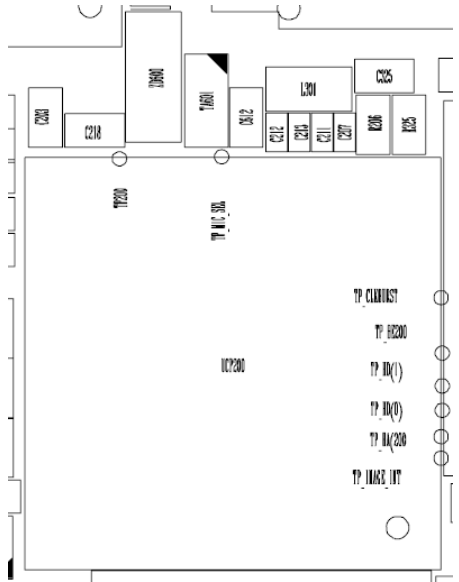
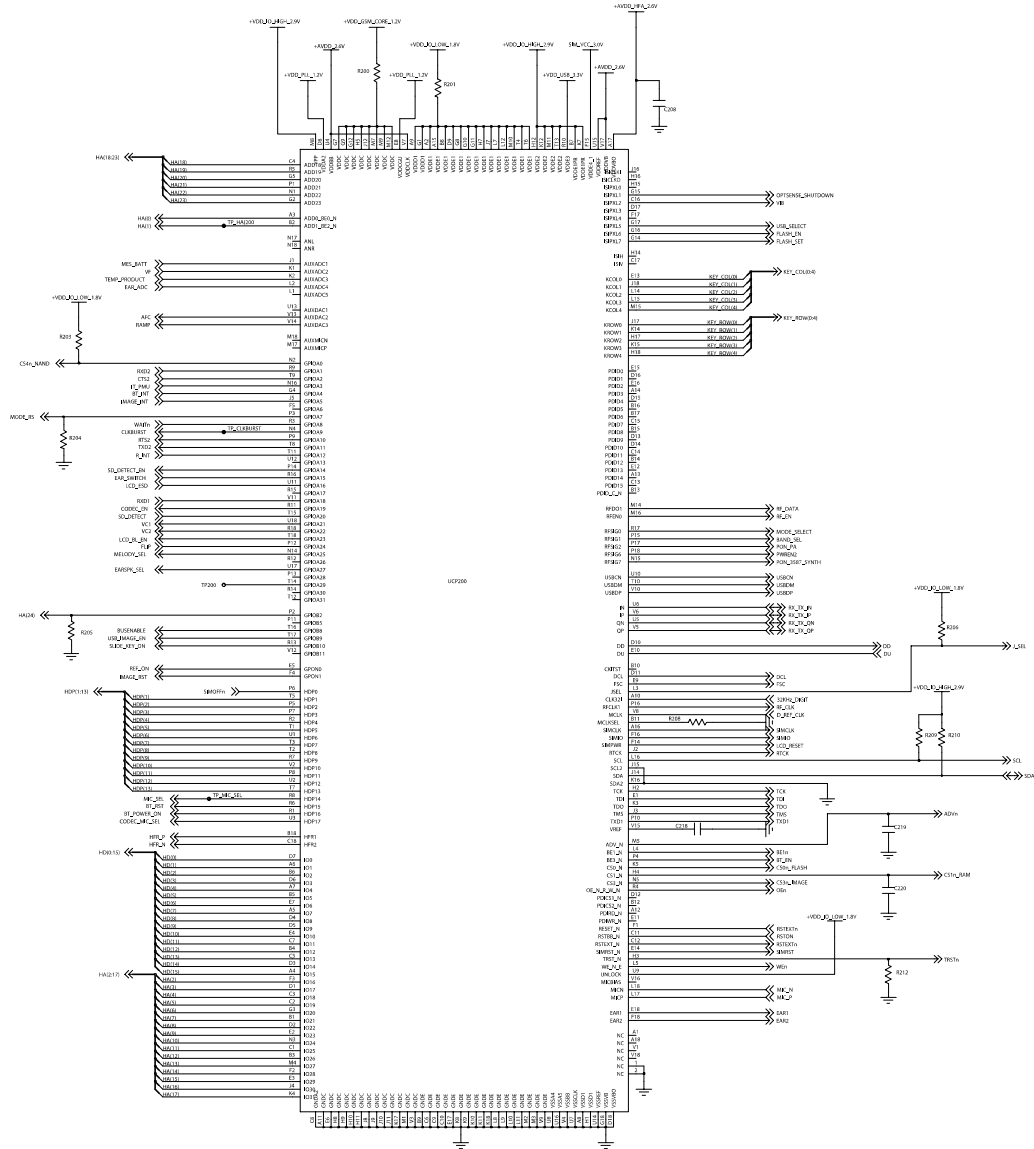
Flow Chart of Troubleshooting



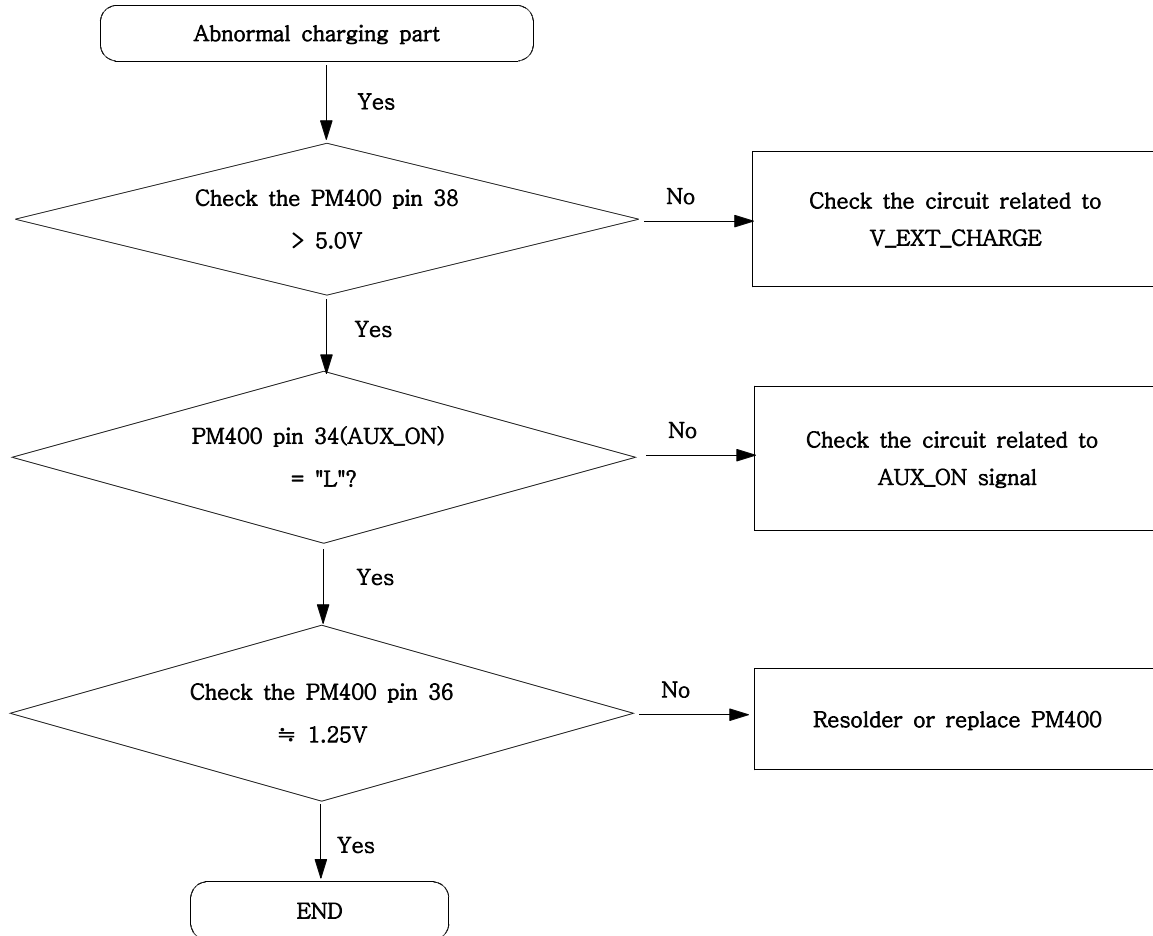
9-2. Initial



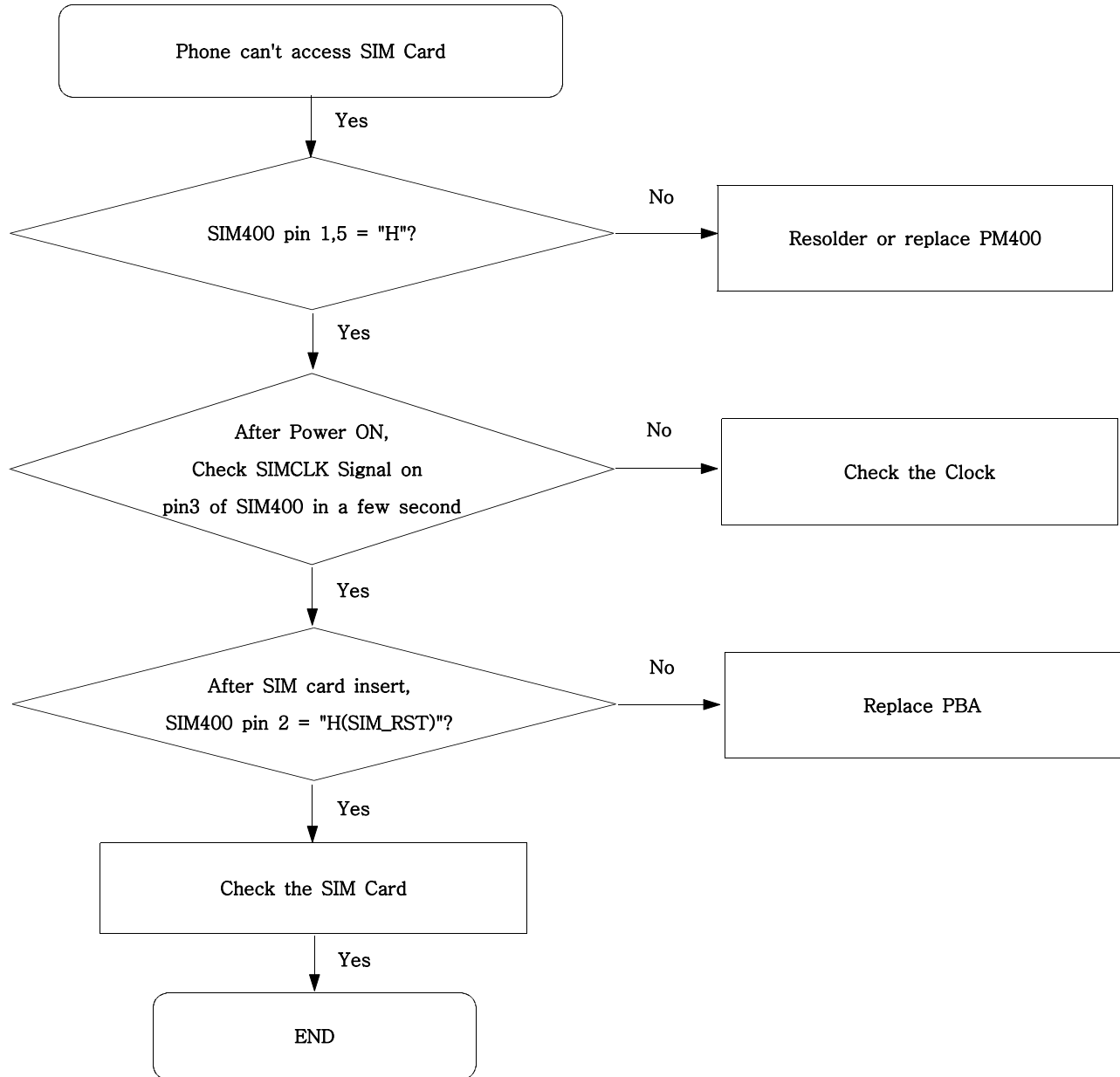
Flow Chart of Troubleshooting

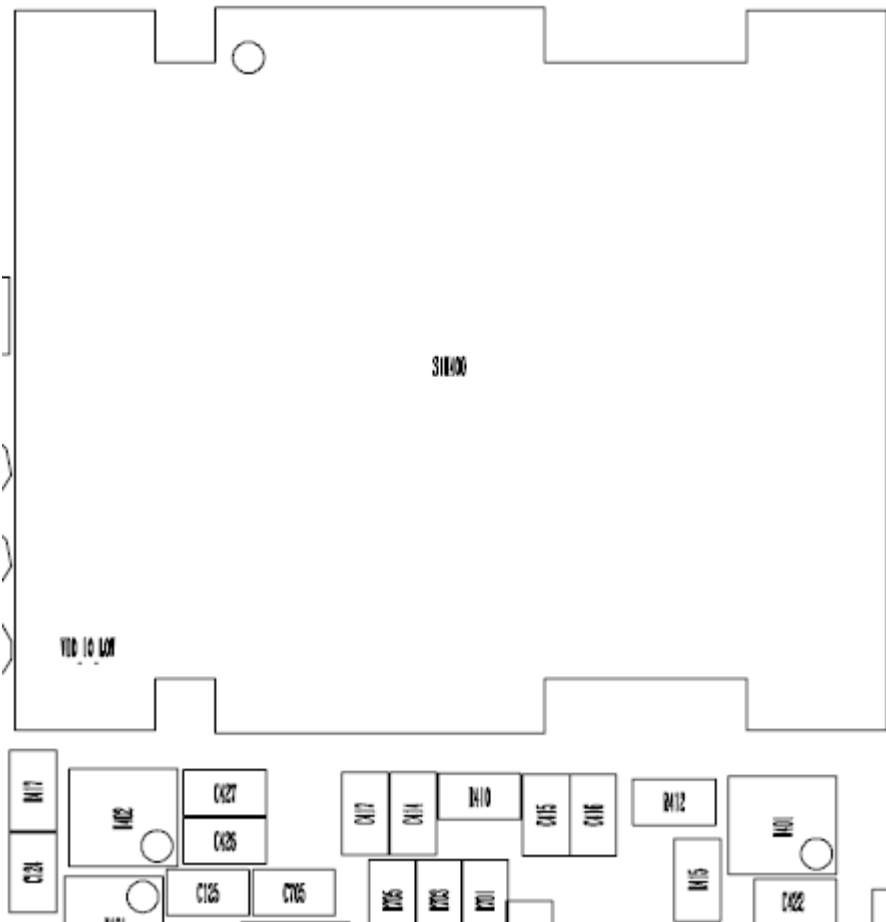
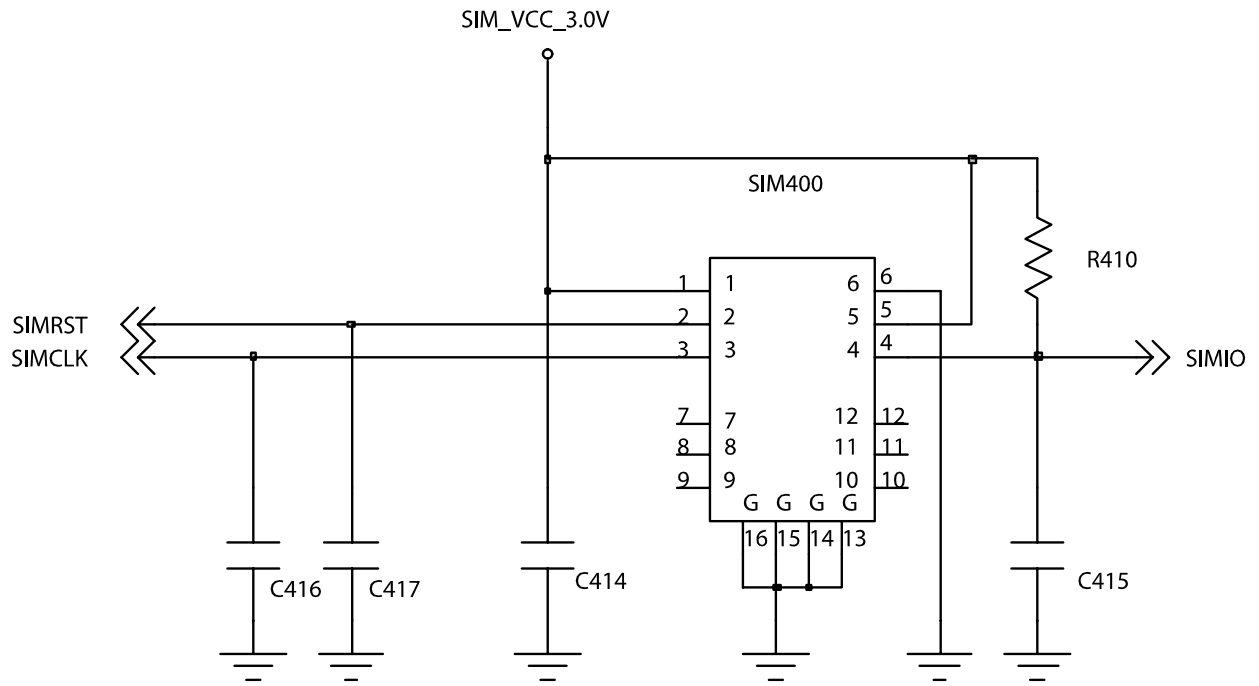


9-3. Charging Part

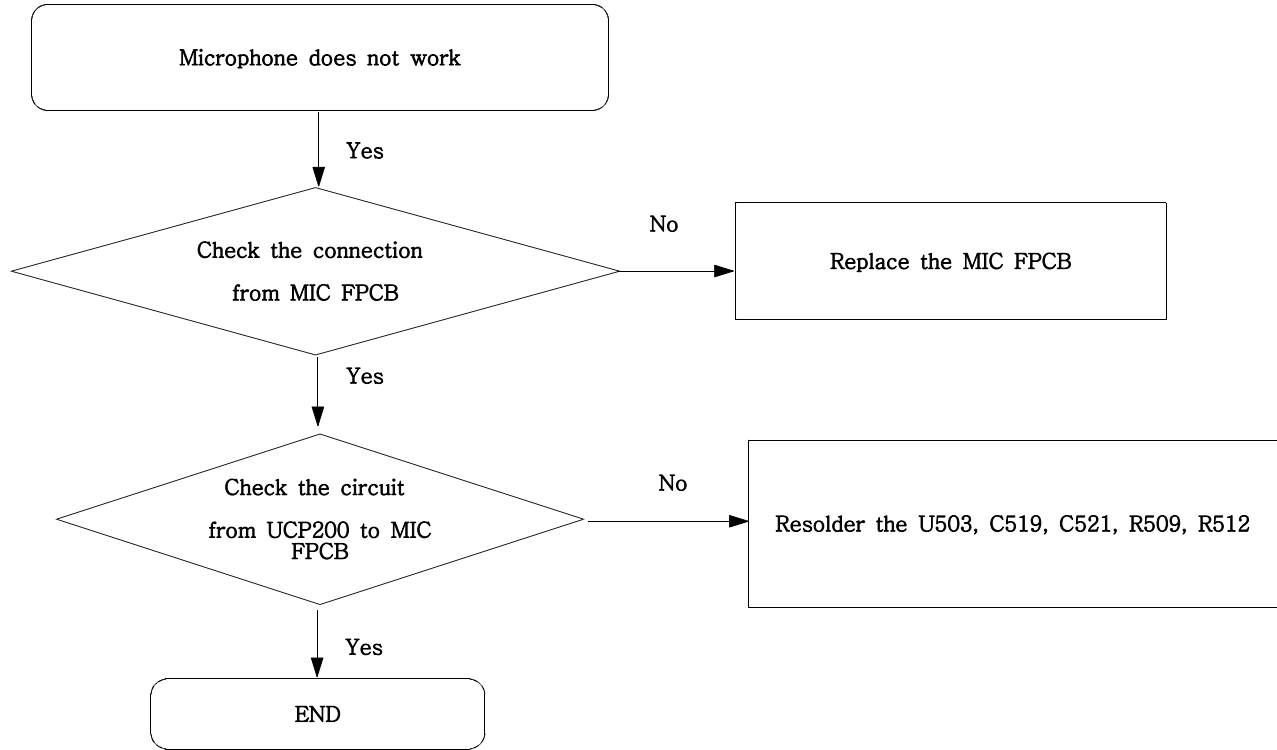


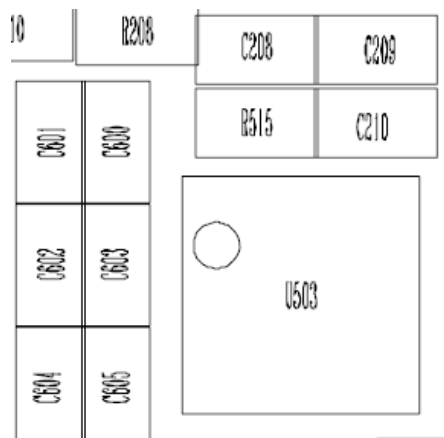
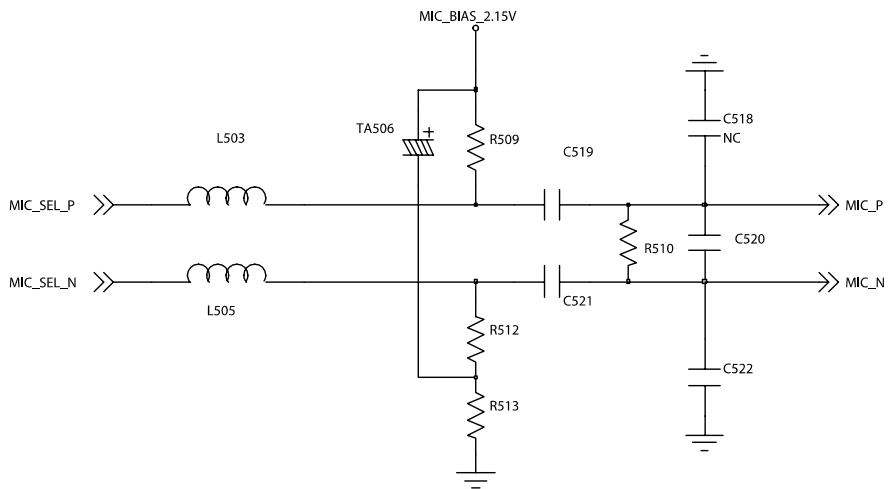
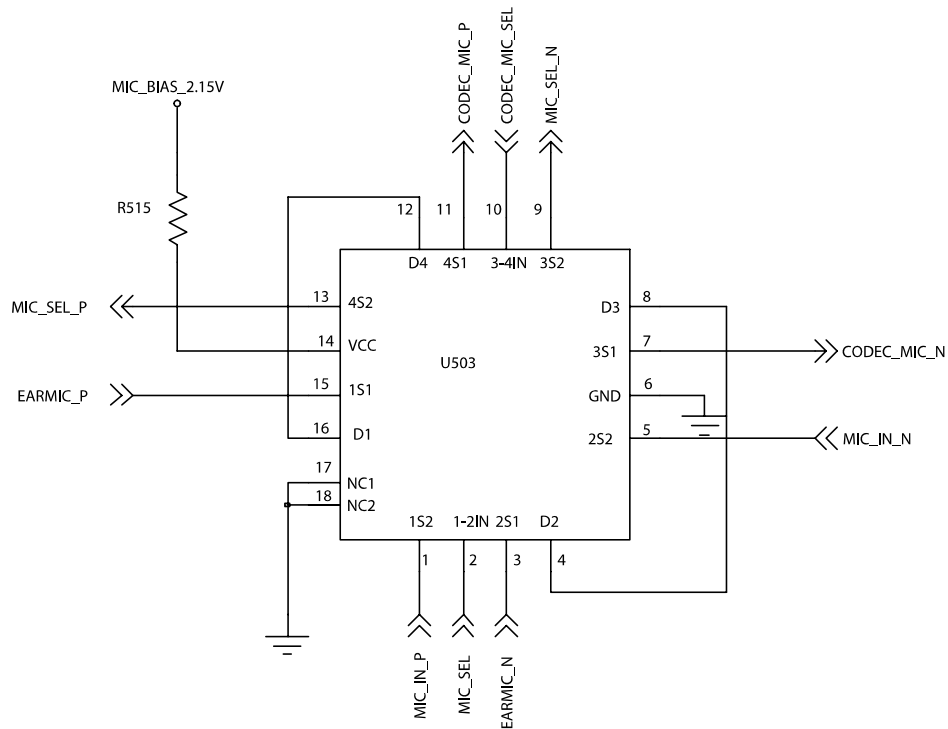
9-4. Sim Part



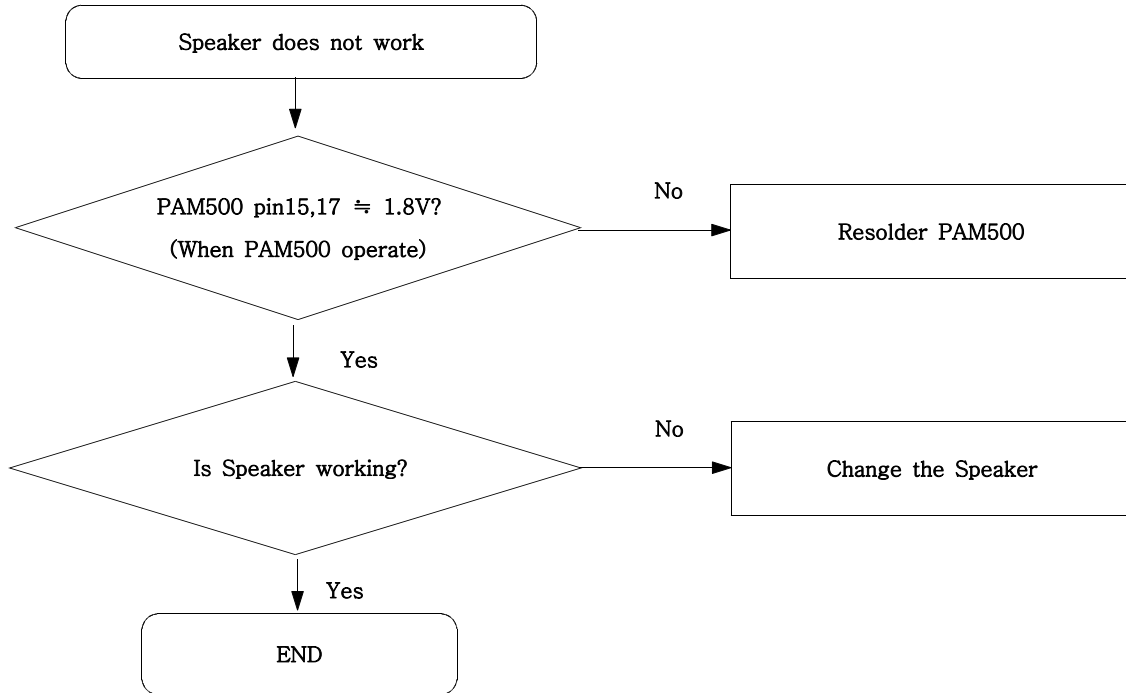


9-5. Microphone Part

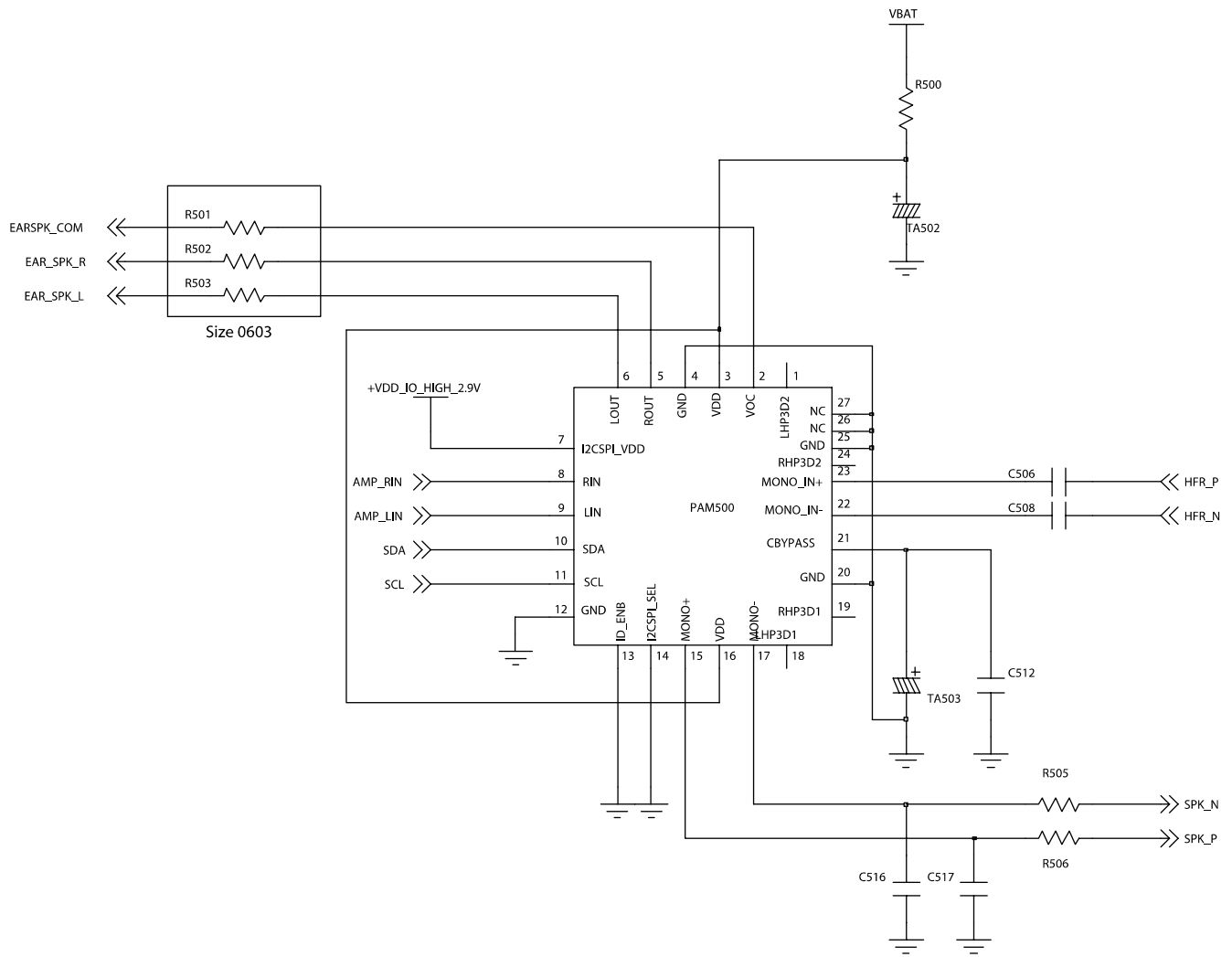




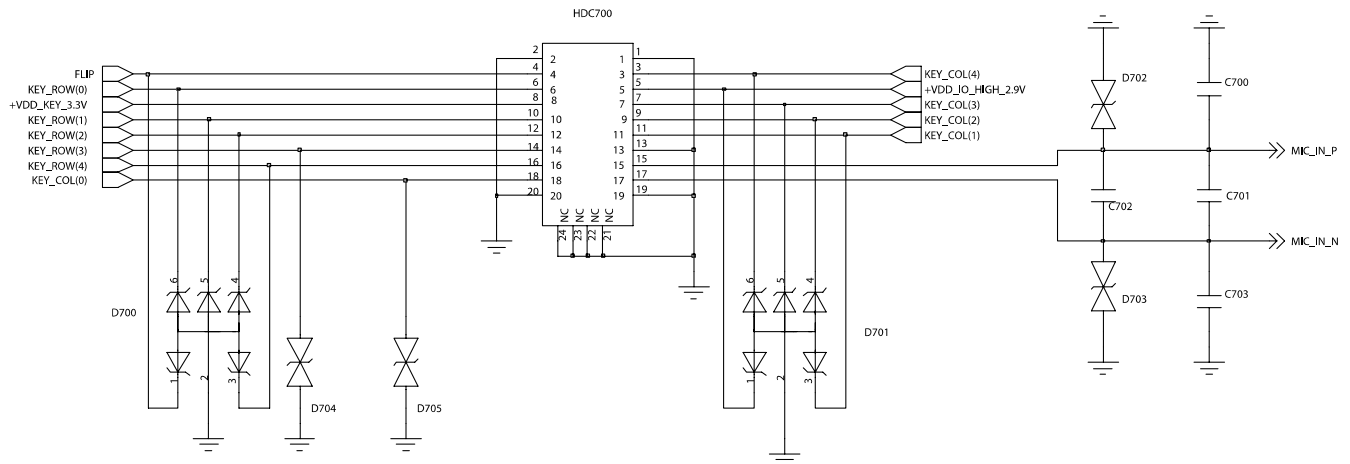
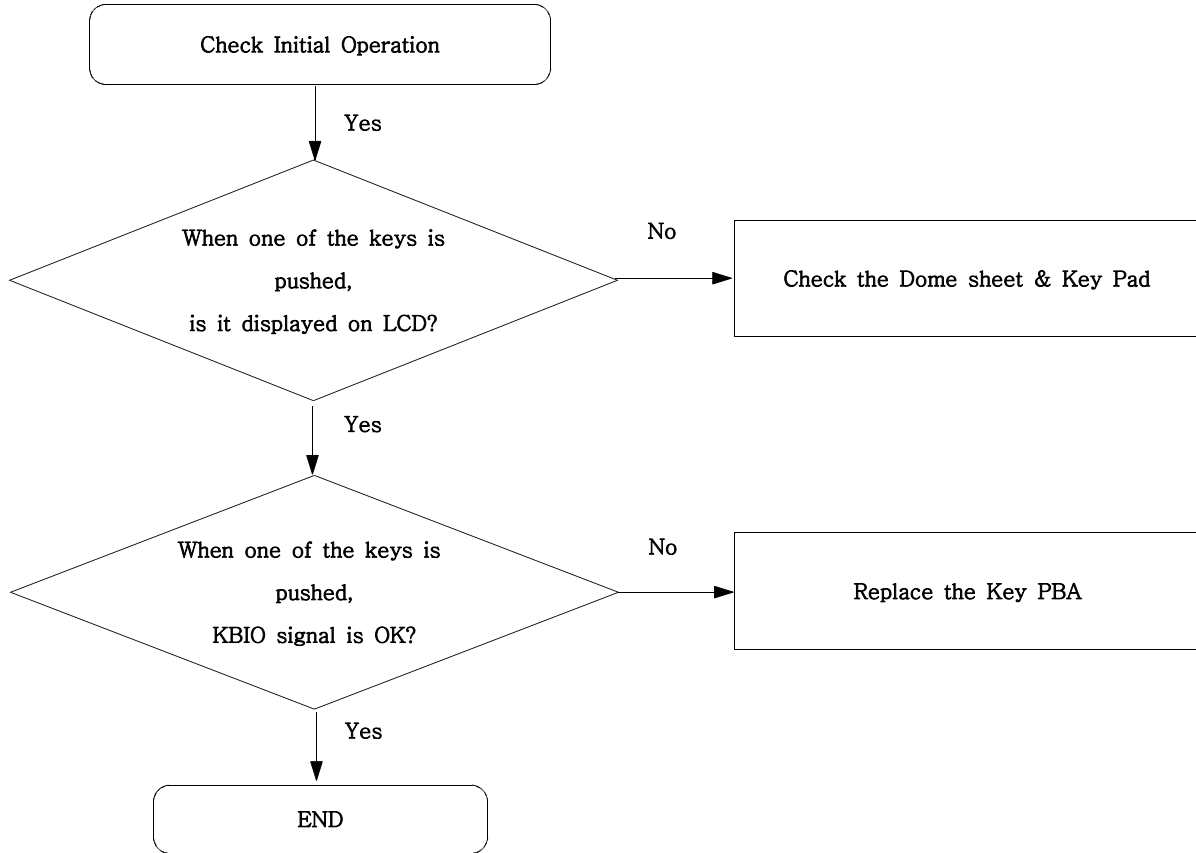
9-6. Speaker Part(Melody)



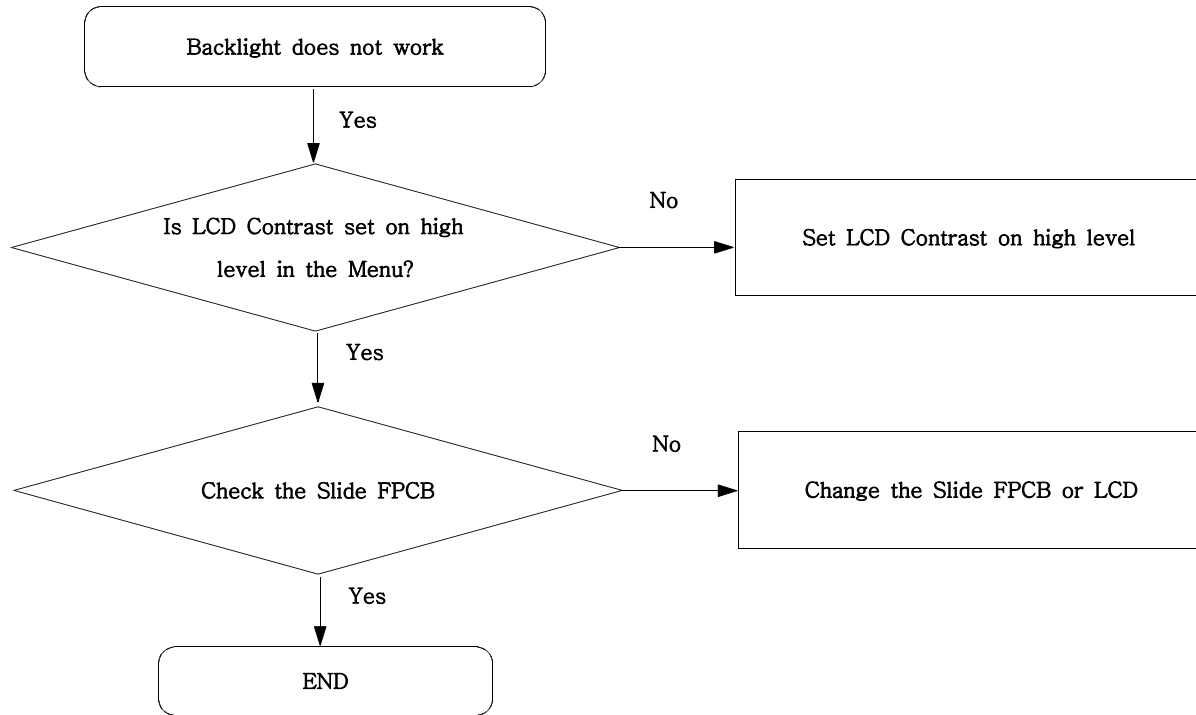
Flow Chart of Troubleshooting



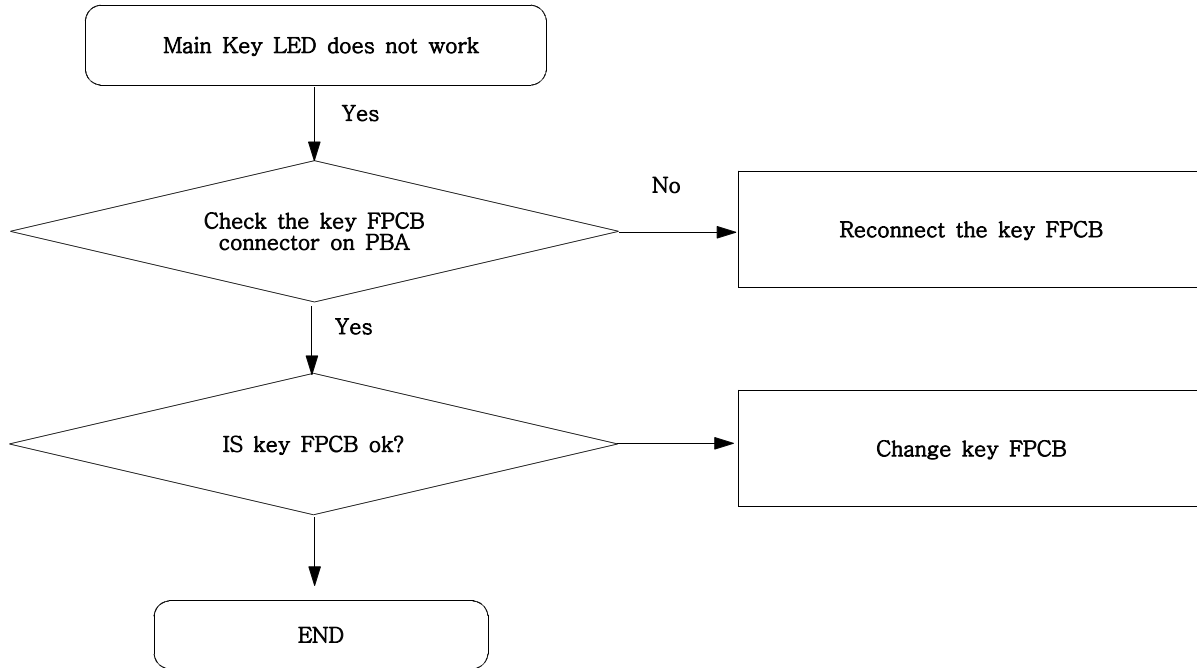
9-7. Key Data Input



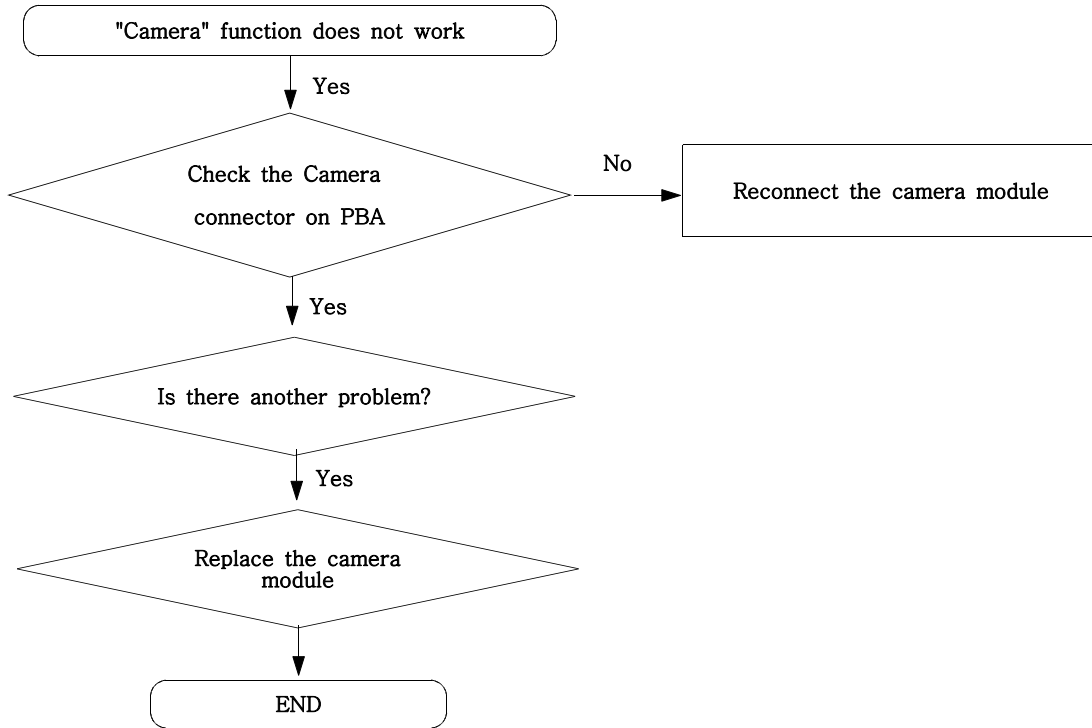
9-8. Back Light (for Color Main LCD)



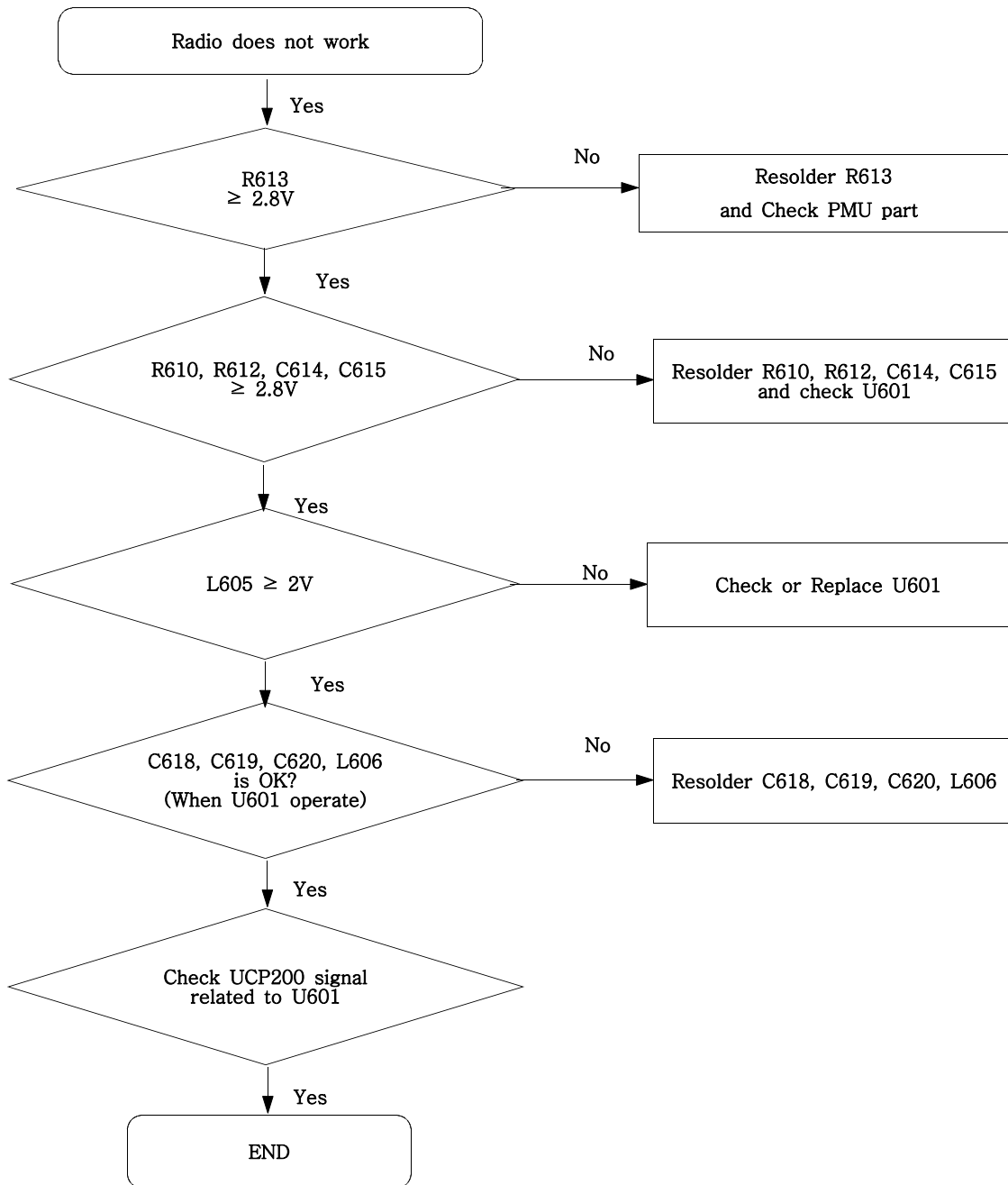
9-9. Key Back Light

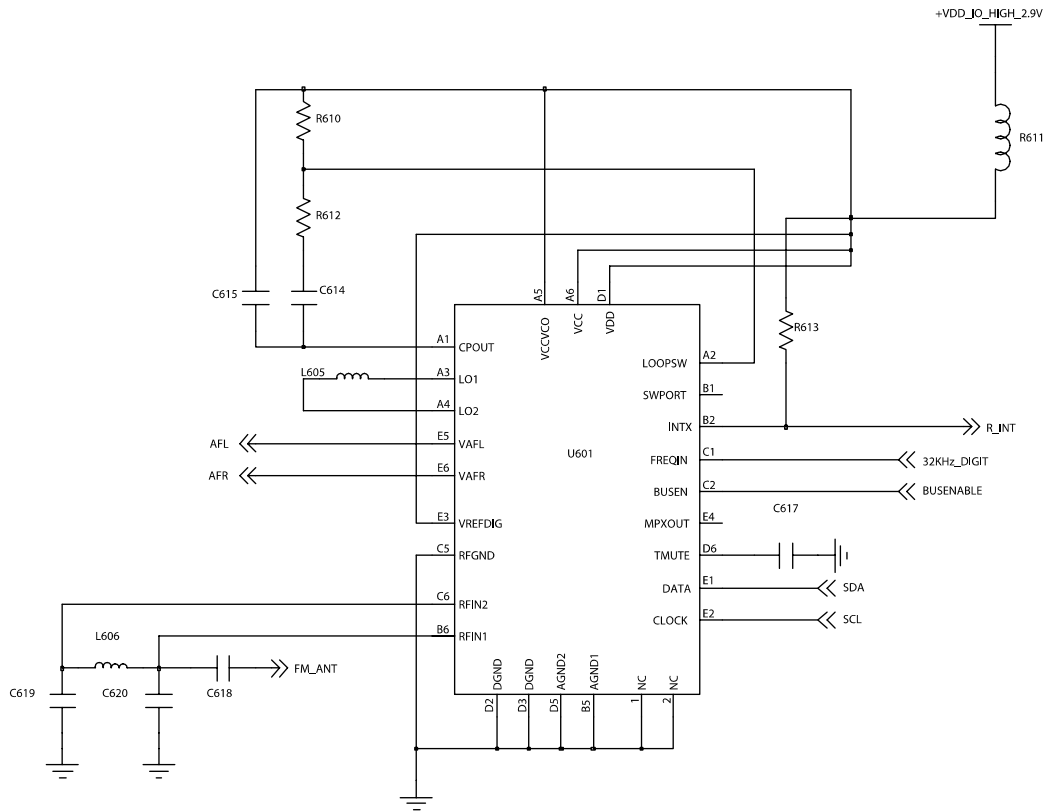


9-10. Camera part



9-11. Radio part

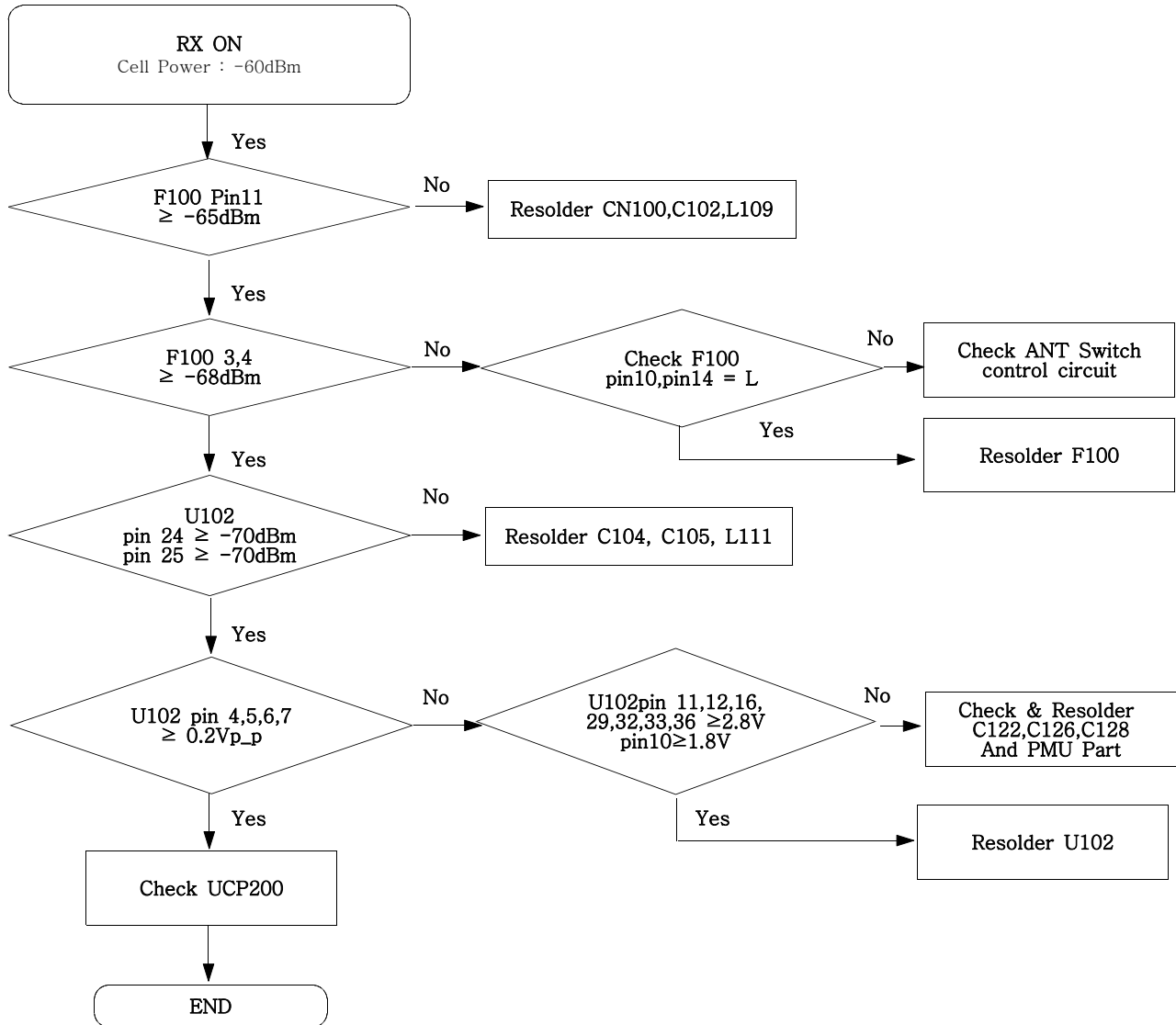




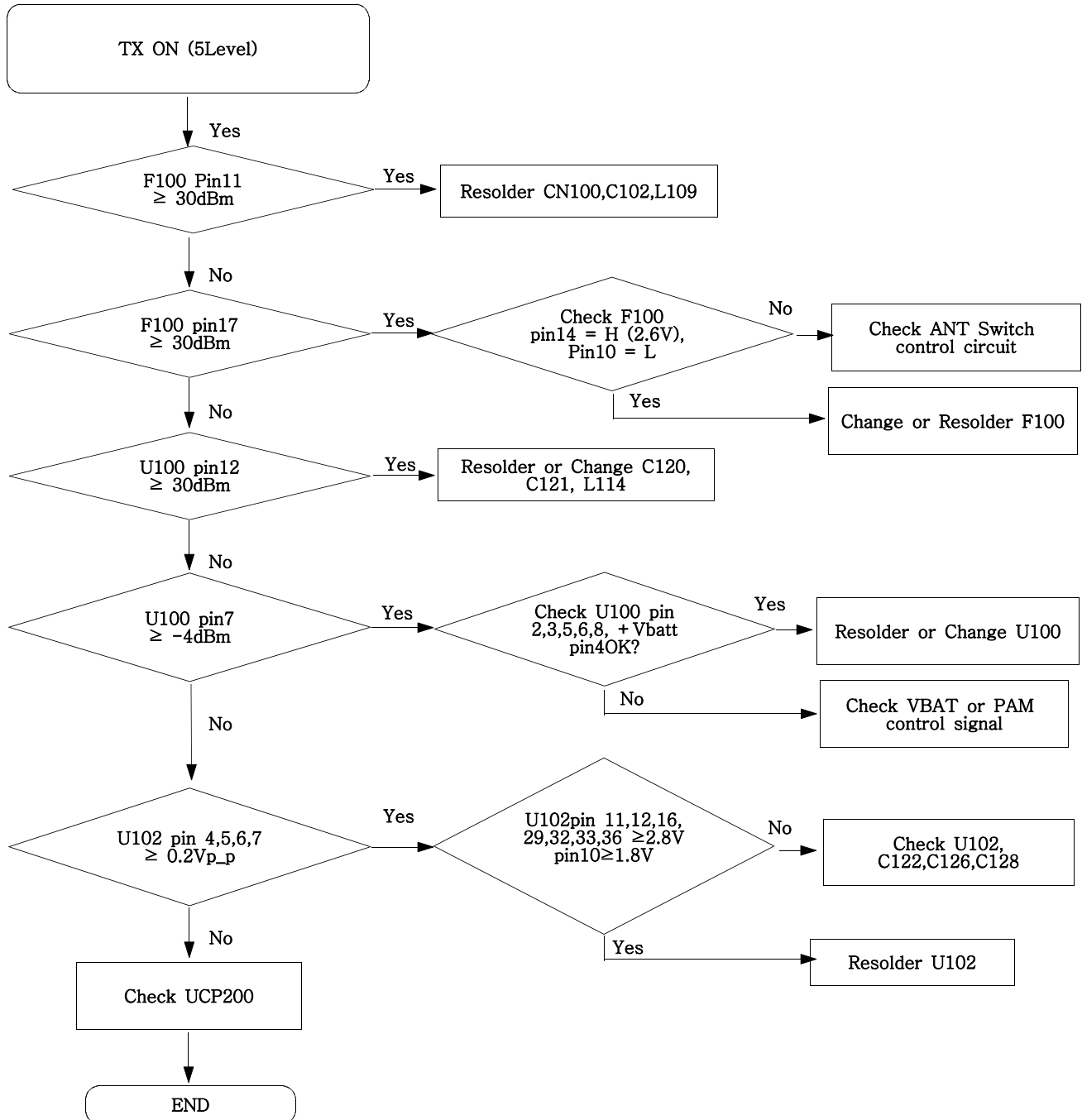
FM RADIO



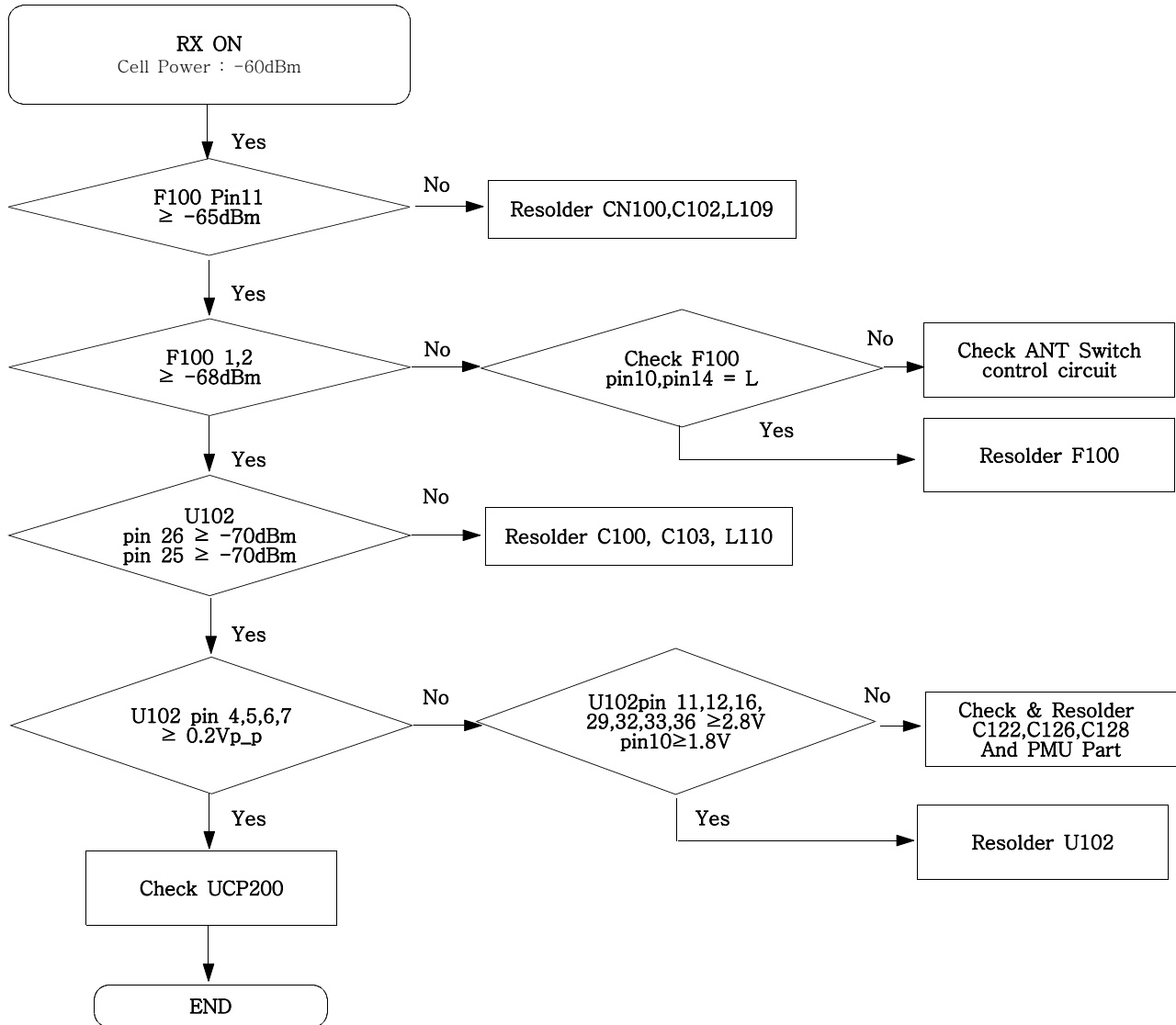
9-12. GSM Receiver



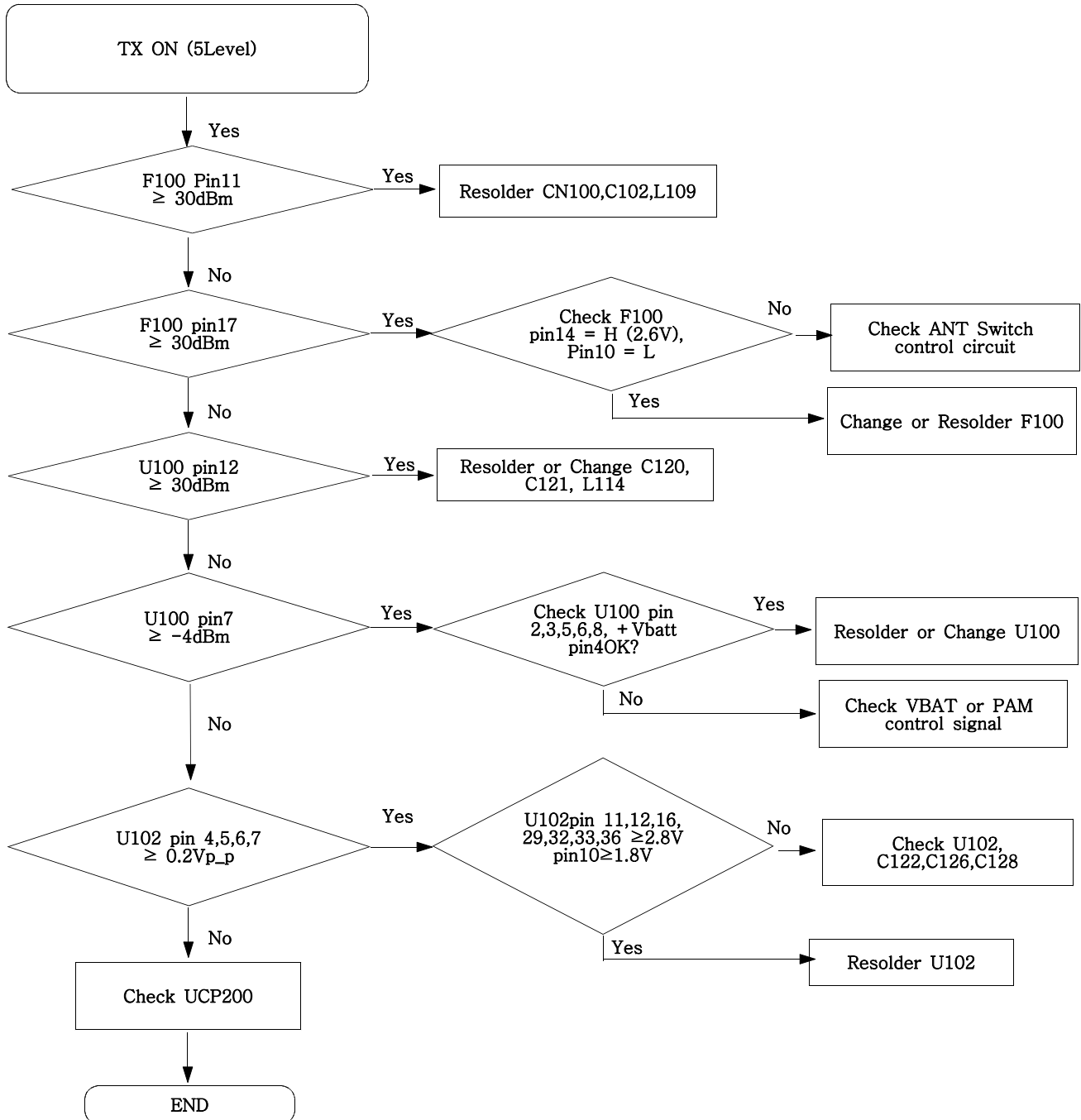
9-13. GSM Transmitter



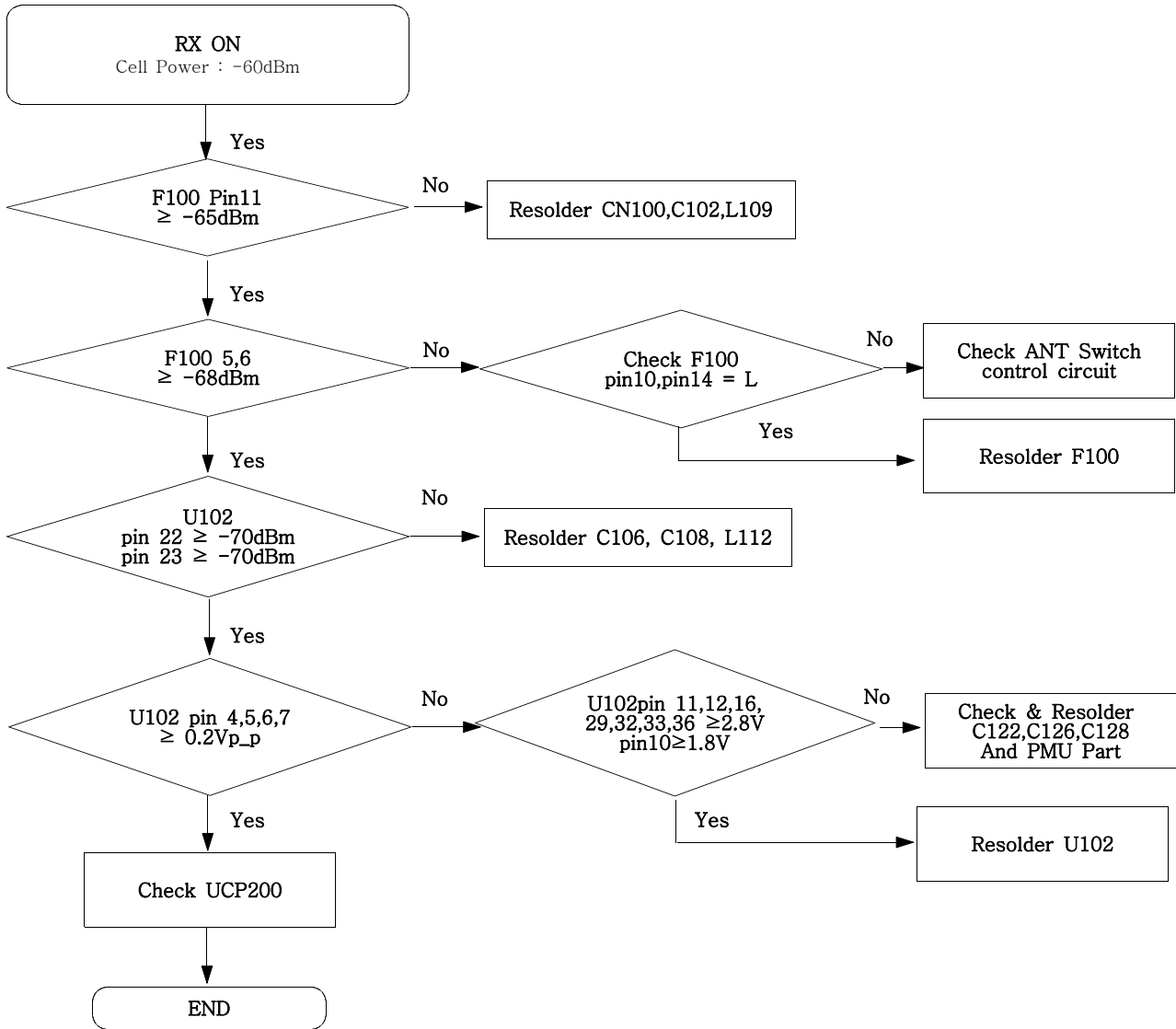
9-14. GSM850 Receiver



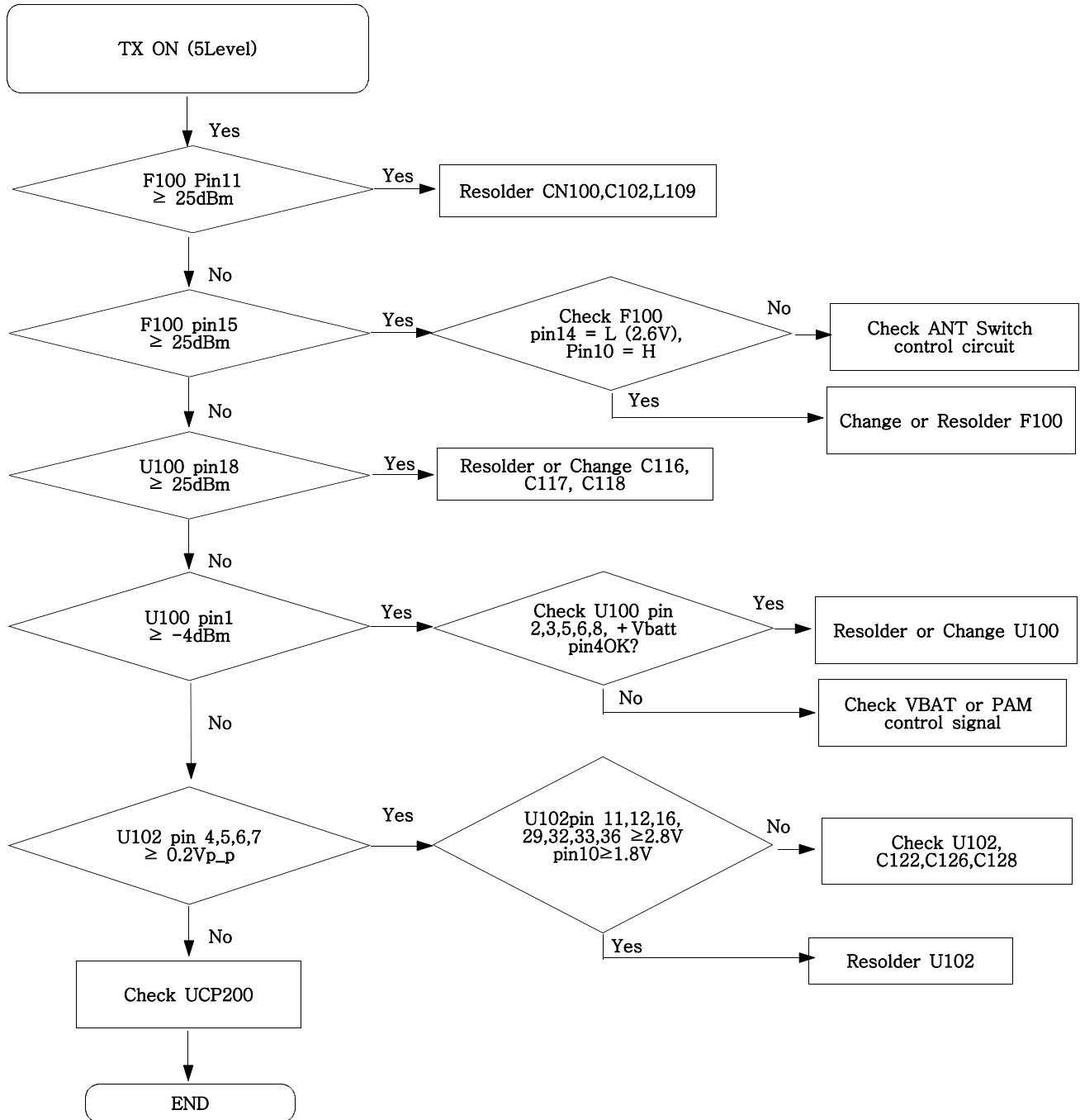
9-15. GSM850 Transmitter



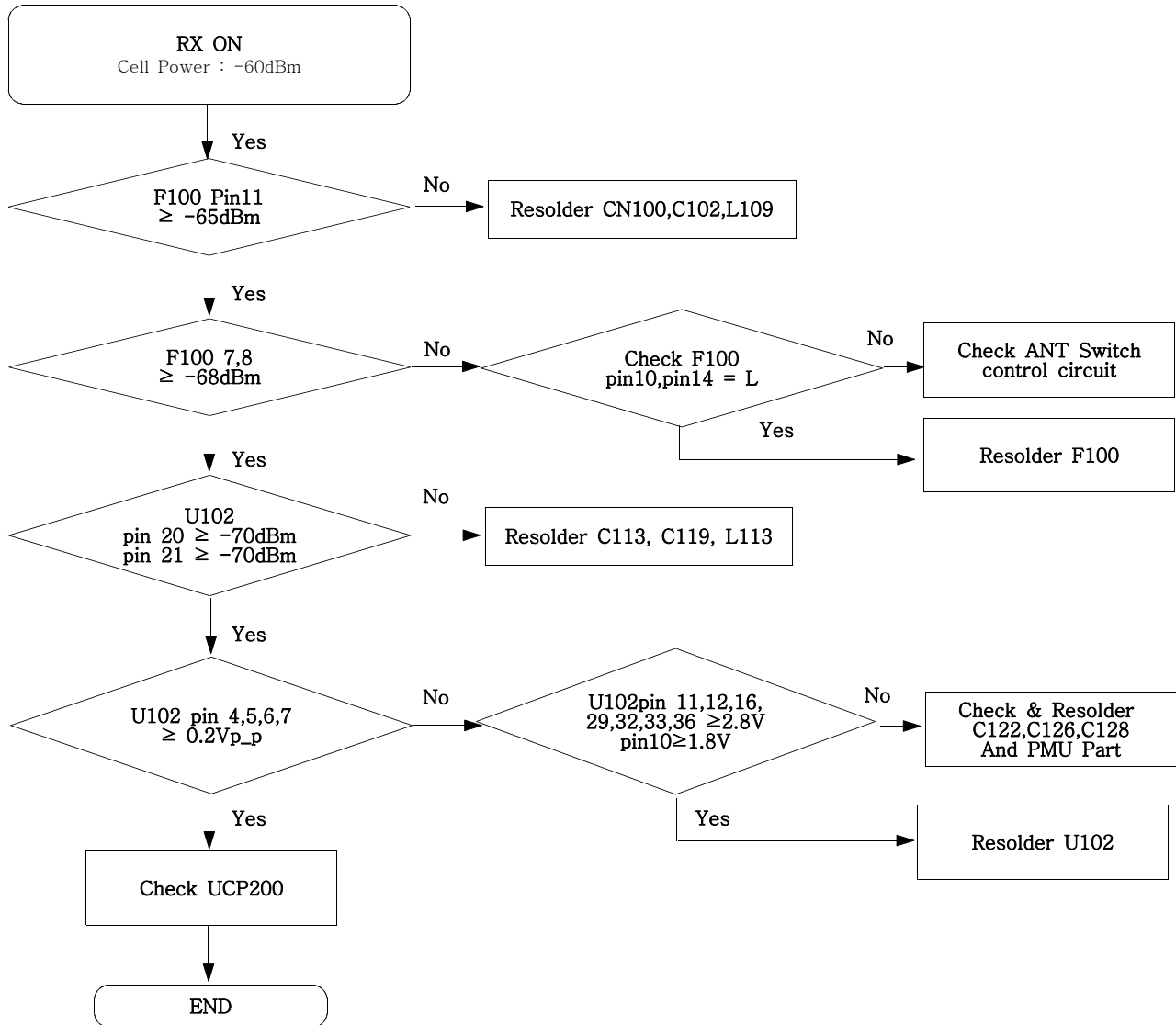
9-16. DCS Receiver



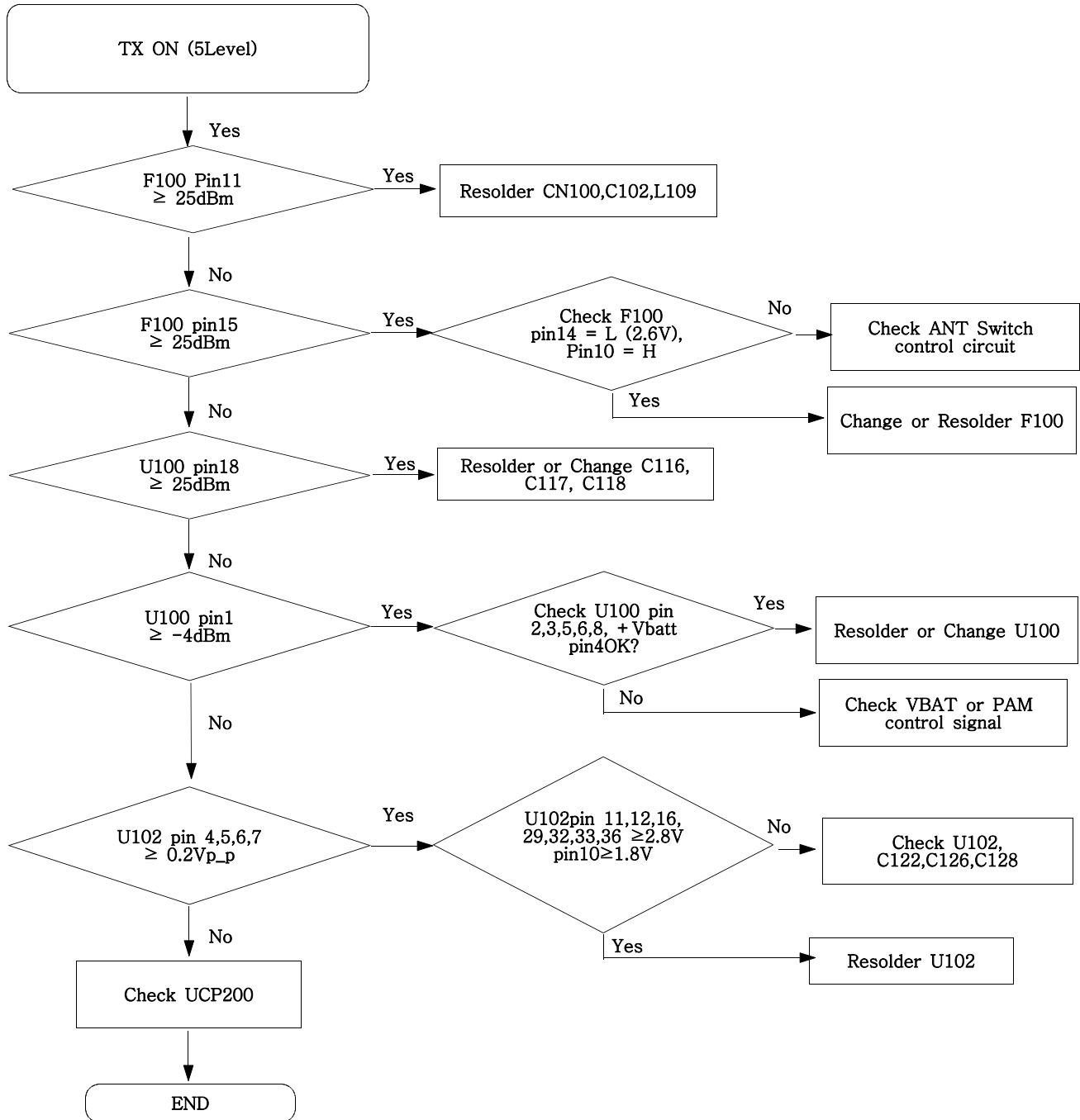
9-17. DCS Transmitter

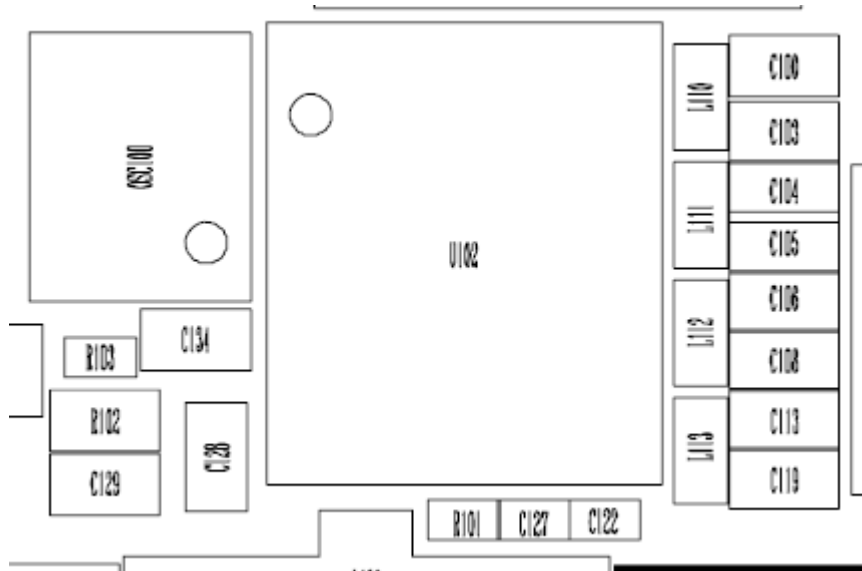
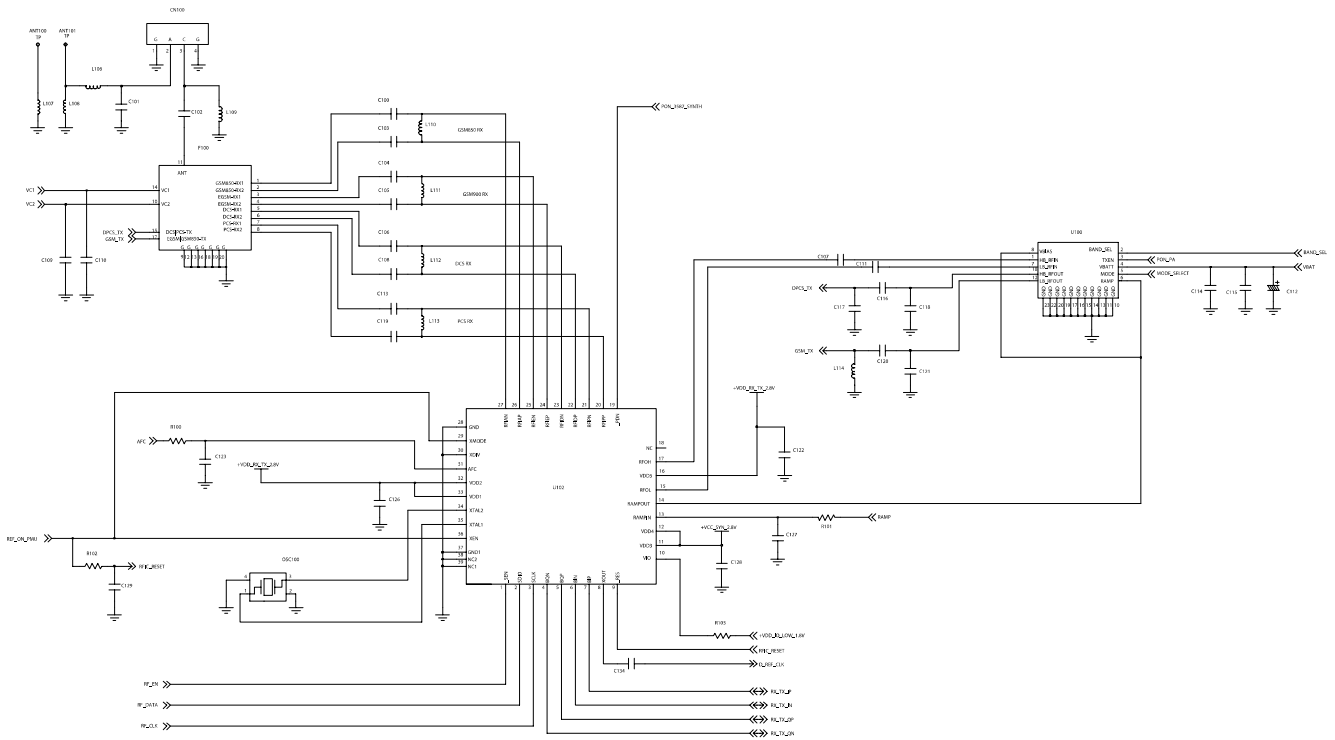


9-18. PCS Receiver

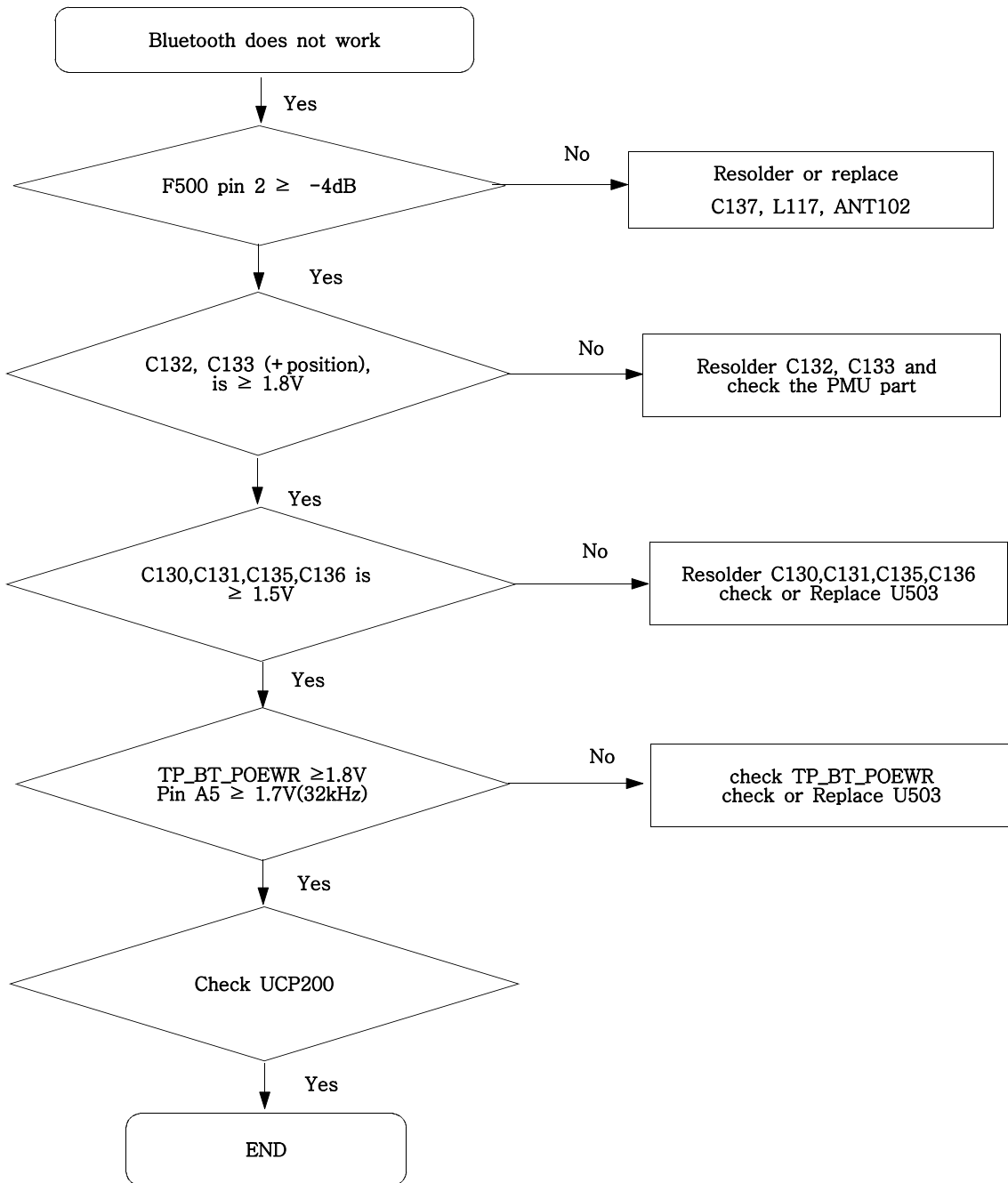


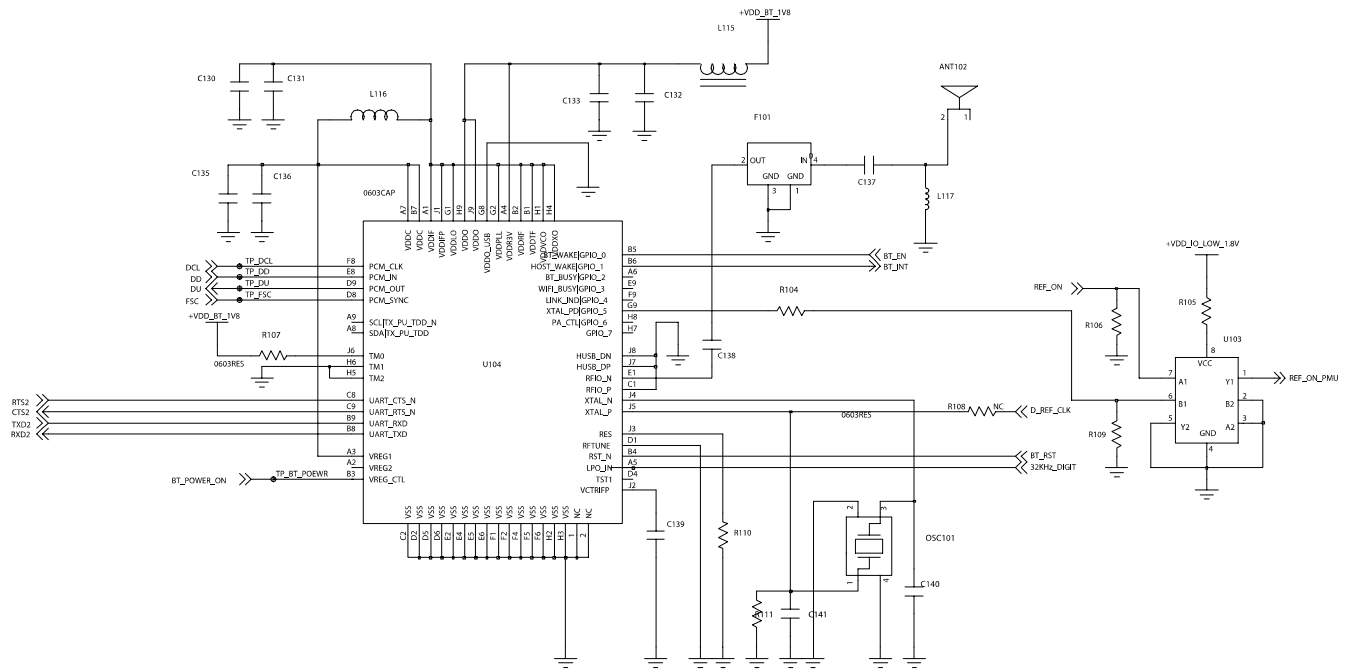
9-19. PCS Transmitter





9-20. Bluetooth part







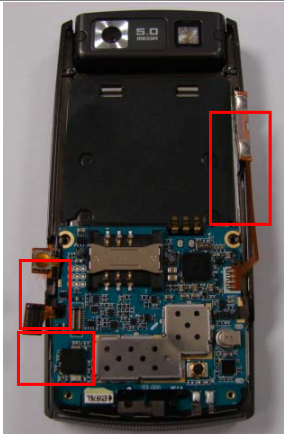
10. Reference data

Reference Abbreviate

- **AAC**: Advanced Audio Coding.
- **AVC** : Advanced Video Coding.
- **BER** : Bit Error Rate
- **BPSK**: Binary Phase Shift Keying
- **CA** : Conditional Access
- **CDM** : Code Division Multiplexing
- **C/I** : Carrier to Interference
- **DMB** : Digital Multimedia Broadcasting
- **EN** : European Standard
- **ES** : Elementary Stream
- **ETSI**: European Telecommunications Standards Institute
- **MPEG**: Moving Picture Experts Group
- **PN** : Pseudo-random Noise
- **PS** : Pilot Symbol
- **QPSK**: Quadrature Phase Shift Keying
- **RS** : Reed-Solomon
- **SI** : Service Information
- **TDM** : Time Division Multiplexing
- **TS** : Transport Stream

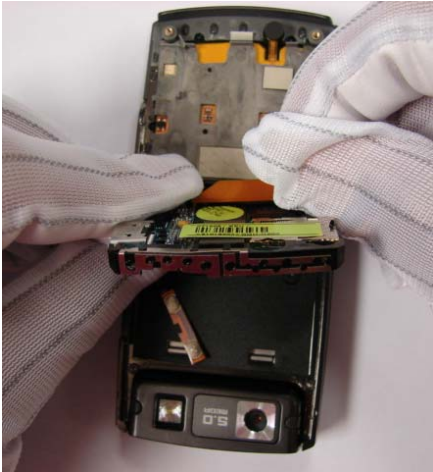
11. Disassembly and Assembly Instructions

11-1. Disassembly Instructions

| | |
|---|---|
| <p>1</p> <p>1) Unscrew 6points from the rear case 2) Open the IF COVER</p>  | <p>2</p> <p>1) Disjoint from low side to up side of rear case.</p>  |
| <p>1) Be careful not to make scratch and molding damage!</p> | <p>1) Be careful not to make scratch and molding damage!</p> |
| <p>3</p> <p>1) Remove the volume key and camera key. 2) Disconnect the 3X4 key connector.</p>  | |
| <p>1) Be careful not to make scratch and molding damage!</p> | |

4

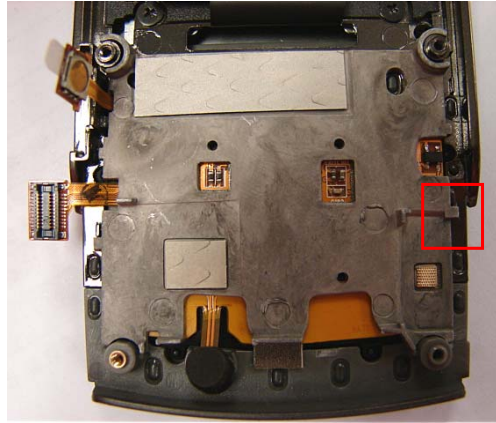
1) Lift B'd up and Disconnect the slide FPCB connector.



1) Be careful not to make scratch and molding damage!
2) Be careful not to make the FPCB damage!

5

1) Disjoint the key bracket from front case.



1) Be careful not to make scratch and molding damage!

6

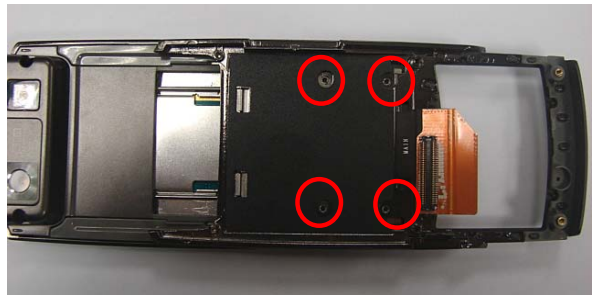
1) Slide up and Remove the keypad .



1) Be careful not to make scratch and molding damage!

7

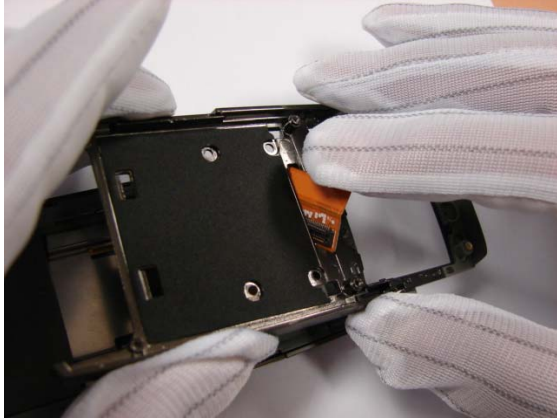
1) Unscrew 6 points from the front case.



1) Be careful not to make scratch and molding damage!

8

1) Disjoint the front case as below picture.



1) Be careful not to make scratch and molding damage!
2) Be careful not to make the FPCB damage!

9

1) Remove the screw rubbers.



1) Be careful not to make scratch and molding damage!

10

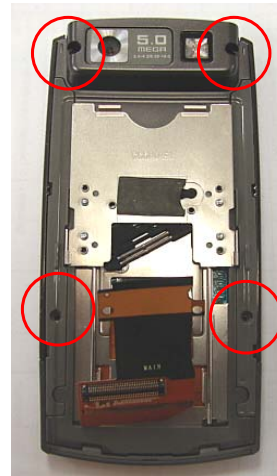
1) Remove the tape between FPCB and lower .



1) Be careful not to make scratch and molding damage!
2) Be careful not to make the FPCB damage!

11

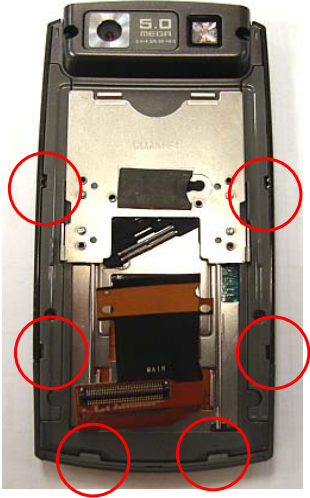
1) Unscrew 4 points from the lower case.



1) Be careful not to make scratch and molding damage!

12

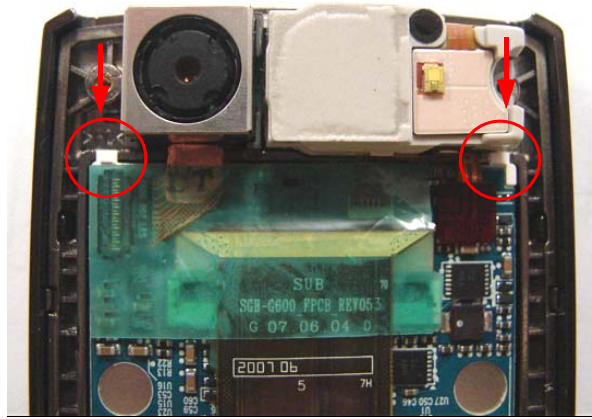
1) After disjoint the hooker of the lower side, disassemble the LOWER case as below the picture.



- 1) Be careful not to make scratch and molding damage!
- 2) Be careful not to make the FPCB damage!

13

1) Disjoint the hooker of the LCD as below the picture.



- 1) Be careful not to make scratch and molding damage!
- 2) Be careful not to make the camera FPCB damage!

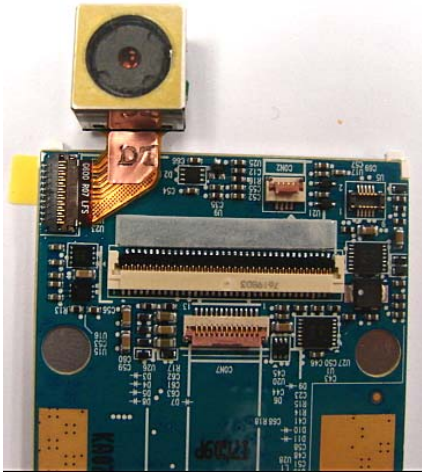

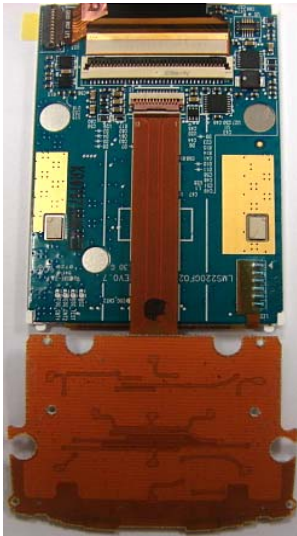
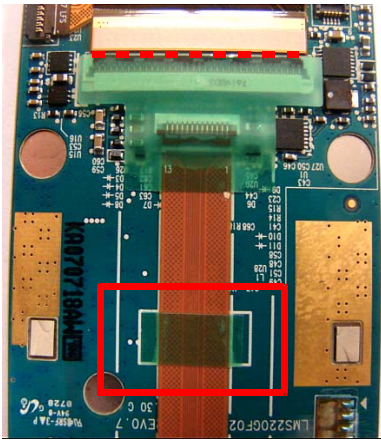
14

1) Disassemble the upper case as below the picture.



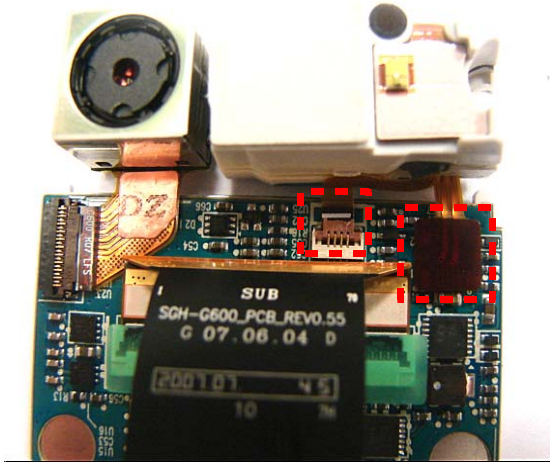
- 1) Be careful not to make scratch and molding damage!

11-2. Assembly Instructions

| | |
|---|--|
| <p>1 1) Insert the camera FPCB into connector.</p>  | <p>2 1) Insert the slide FPCB into connector.</p>  |
| <p>1) Be careful not to make scratch and molding damage! 2) Be careful not to make the camera FPCB damage!</p> | <p>1) Be careful not to make scratch and molding damage! 2) Be careful not to make the FPCB damage! 3) Be careful make right side of FPCB.</p> |
| <p>3 1) Insert sub key FPCB into connector.</p>  | <p>4 1) Attach tape to the slide connector. 2) Attach tape to FPCB. (Guide line)</p>  |
| <p>1) Be careful not to make scratch and molding damage!</p> | <p>1) Be careful not to make scratch and molding damage!</p> |

5

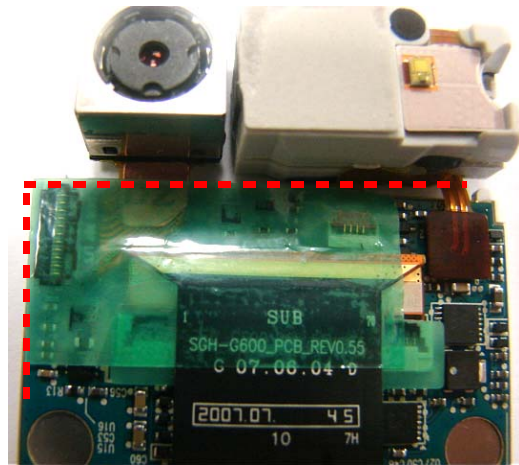
1) Insert the speaker module and flash kit.



1) Be careful not to make scratch and molding damage!

6

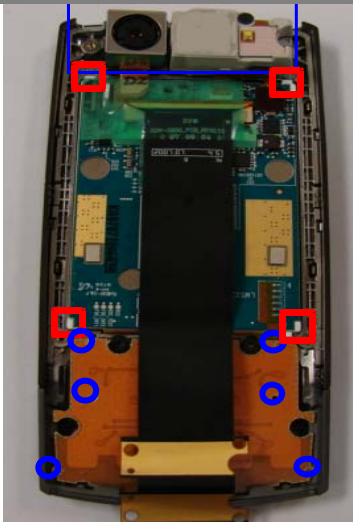
1) Attach tape to the connector.



1) Be careful not to make the FPCB damage!

7

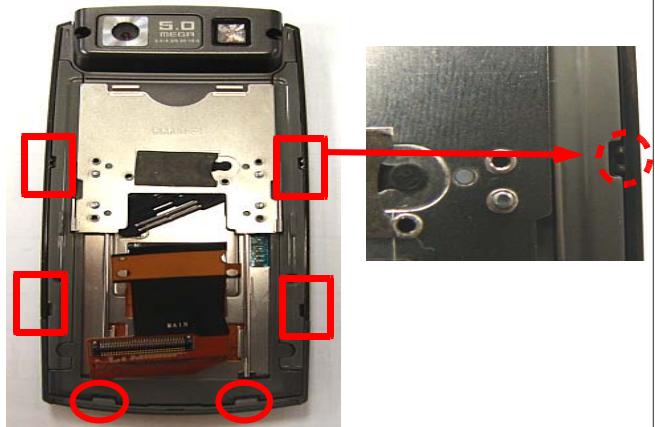
- 1) Put the Speaker and Camera to the Upper case
- 2) Joint the LCD hooks
- 3) Insert the sub key into guide holes.



- 1) Be careful not to make scratch and molding damage!
- 2) Be careful not to disconnect the speaker

8

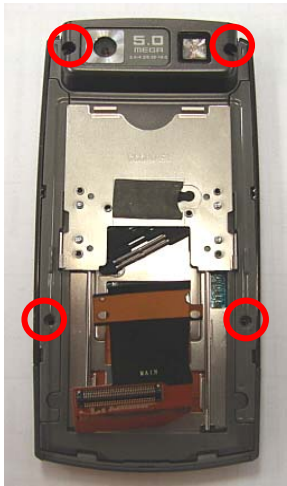
1) Joint the lower hooks.



1) Be careful not to make scratch and molding damage!

9

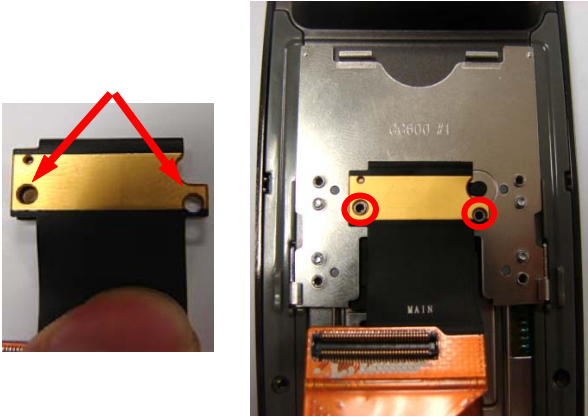
1) Screw 4 points on Lower assy'.



1) Be careful not to make scratch and molding damage!
2) TORQE (1.1 ± 0.1 Kgf · Cm)

10

1) Fold slide FPCB together
2) Attach slide to the lower guide holes.



1) Be careful not to make scratch and molding damage!
2) Be careful not to make the FPCB damage!

11

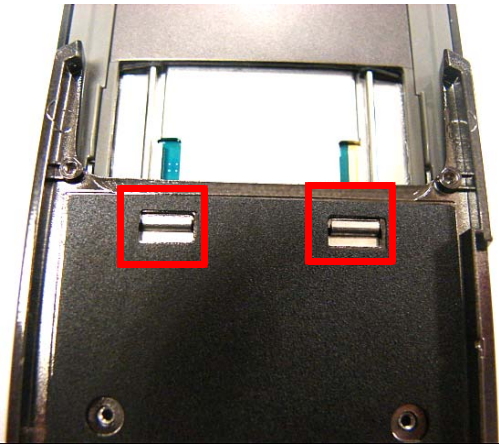
1) Insert the 2 points screw rubbers into the lower case



1) Be careful not to make scratch and molding damage!

12

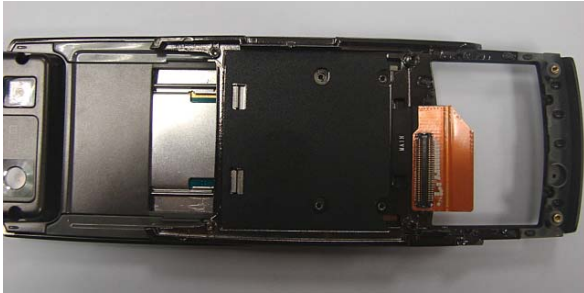
1) Insert the FPCB into front FPCB hole.
2) Inset front holes into lower hooks.



1) Be careful not to make scratch and molding damage!
2) Be careful not to make the FPCB damage!

13

1) Screw 4 points on front ass'y.



1) Be careful not to make scratch and molding damage!
2) TORQUE (1.1 ± 0.1 Kgf · Cm)

14

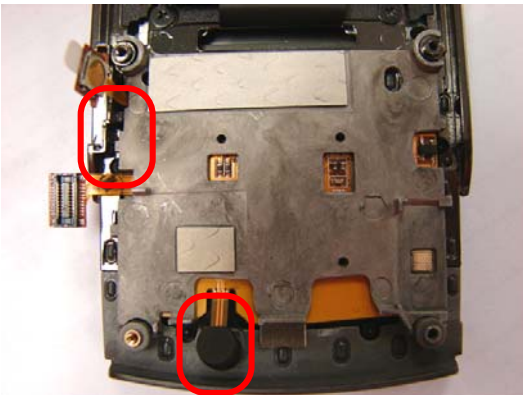
1) Let a key pad on front ass'y.



1) Be careful not to make scratch and molding damage!

15

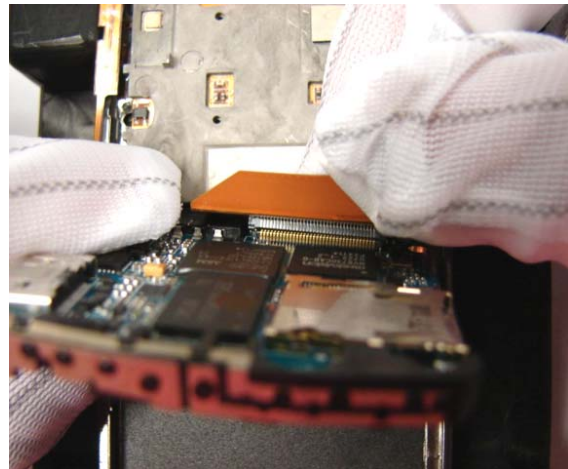
1) Lock 3X4 bracket to front ass'y.
2) Let a mic rubber on mic.



1) Be careful not to make scratch and molding damage!

16

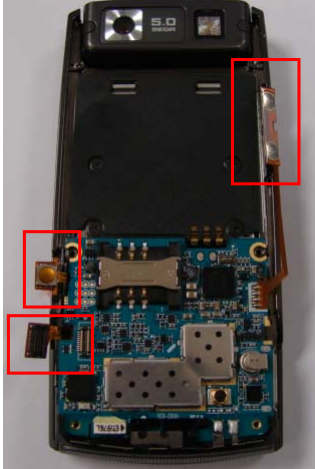
1) Insert the slide connect to slide FPCB horizontally.



1) Be careful not to make scratch and molding damage!
2) Be careful not to make the FPCB damage!

17

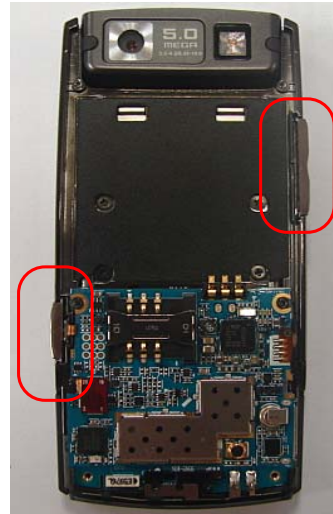
- 1) Attach the volume key FPCB and camera key FPCB to the front ass'y, right side slightly.
- 2) Insert 3X4 key FPCB into B'd connector



1) Be careful not to make scratch and molding damage!.

18

- 1) Put the volume key and camera key to the front ass'y, right side slightly.



1) Be careful not to make scratch and molding damage!

19

- 1) Assemble the rear case.



1) Be careful not to make scratch and molding damage!

20

- 1) Screw 6 points.



- 1) Be careful not to make scratch and molding damage!
- 2) TORQUE (1.1 ± 0.1 Kgf · Cm).

