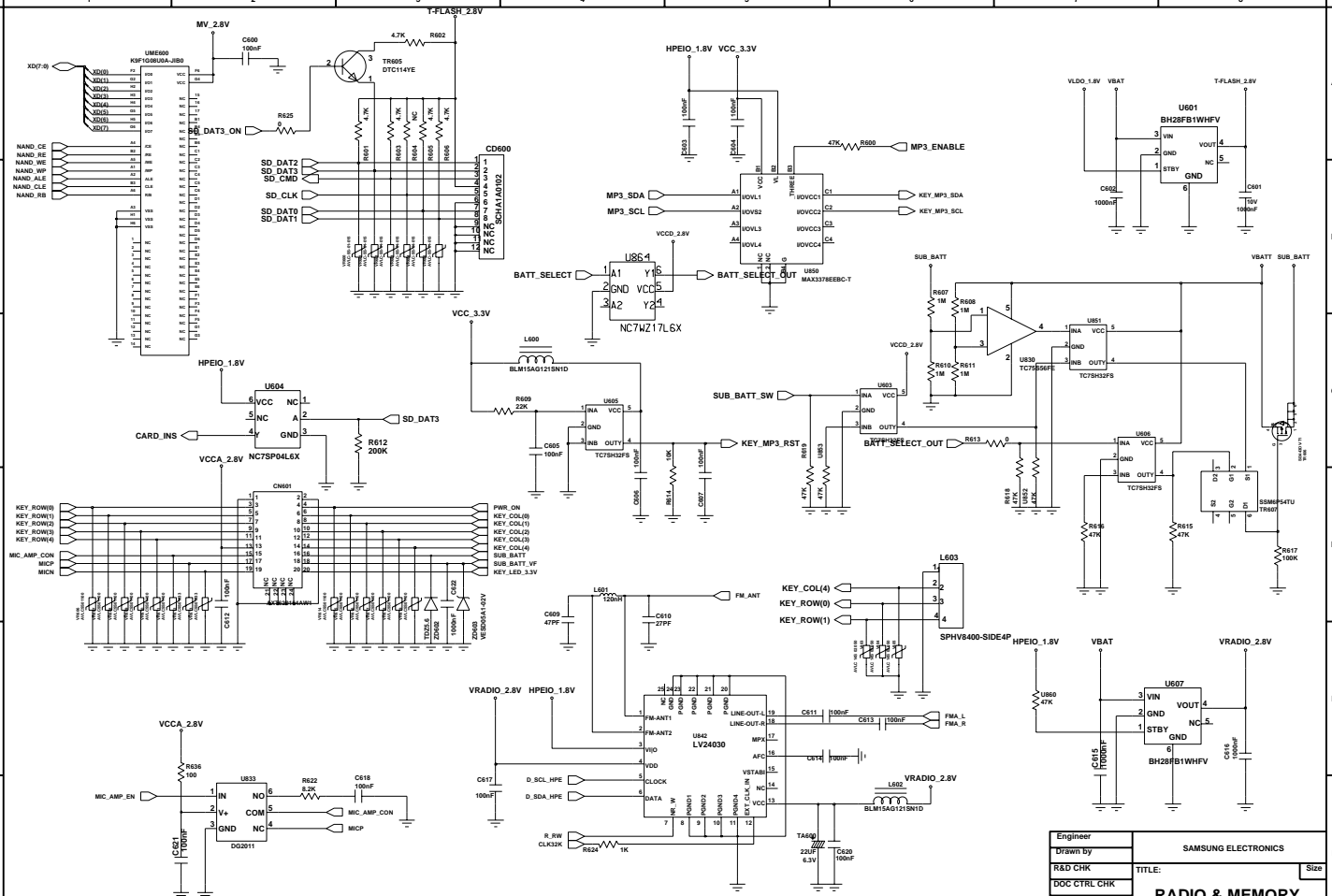
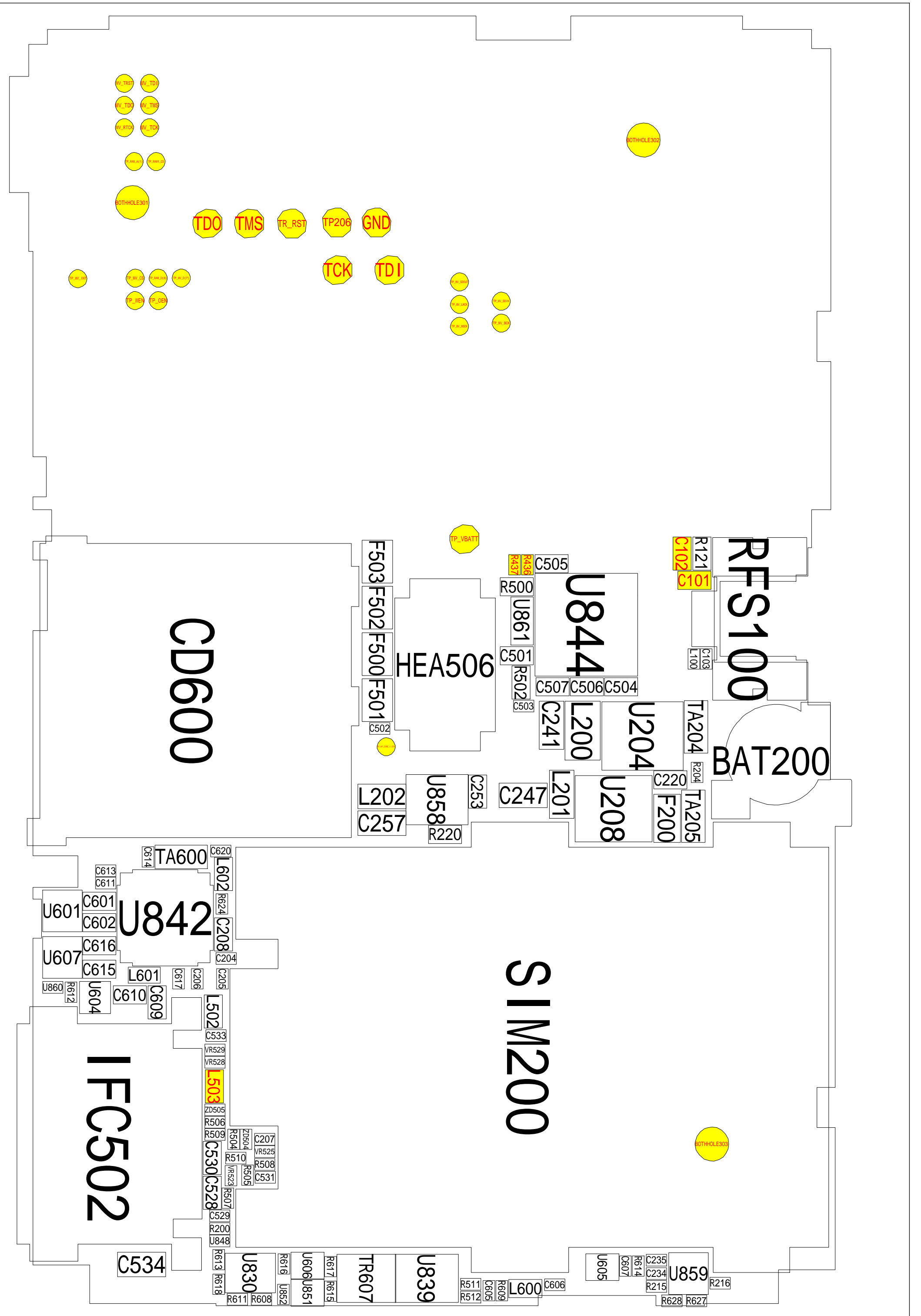


Engineer		SAMSUNG ELECTRONICS	
Drawn by		TITLE:	Size
RDG CHK		LCD & CONNECTOR	
DDG CTRL CHK			
MFG ENGR CHK			



Engineer	SAMSUNG ELECTRONICS	
Drawn by	TITLE: Size	
R&D CHK	DOC CTRL CHK	
MP3 ENGR CHK	RADIO & MEMORY	
Changed by	Date Changed	Time Changed
QA CHK	REV 1.0	Drawing Number
		Sheet 6 of 6



M_TRST
M_TDI
M_TMS
M_TCK
M_RST

TP_VBATT

BOTHHOLE301

TDO TMS TR_RST TP206 GND

TCK TDI

TP_VBATT
TP_VBATT
TP_VBATT
TP_VBATT
TP_VBATT
TP_VBATT

TP_VBATT
TP_VBATT
TP_VBATT
TP_VBATT

BOTHHOLE302

TP_VBATT

RFS100
R121
C102
C101
L100
C103

BAT200

U844

U204

U208

TA204

TA205

F200

L200

L201

C247

U858

HEA506

F503
F502
F500
F501
C502

C505
R438
R437
R500
U861
C501
R502
C503
C507
C506
C504

L202
C257

C253

CD600

U842

IFC502

SIM200

BOTHHOLE303

TA600
C613
C611
C601
C602
C616
C615
L601
C610
C609
U601
U607
U604
U860
R612
C614
L602
R624
C208
C204
C205
C206
C617
L502
C533
VR529
VR528
L503
ZD505
R506
R509
R504
ZD504
VR525
R508
C531
C530
C528
R507
C529
R200
U848
R613
R618

U839
TR607
U606
U851
R617
R615
R616
U852
R611
R608
R511
R512
C605
R609
L600
C606
U605
C607
R614
C235
C234
R215
U859
R216
R628
R627

