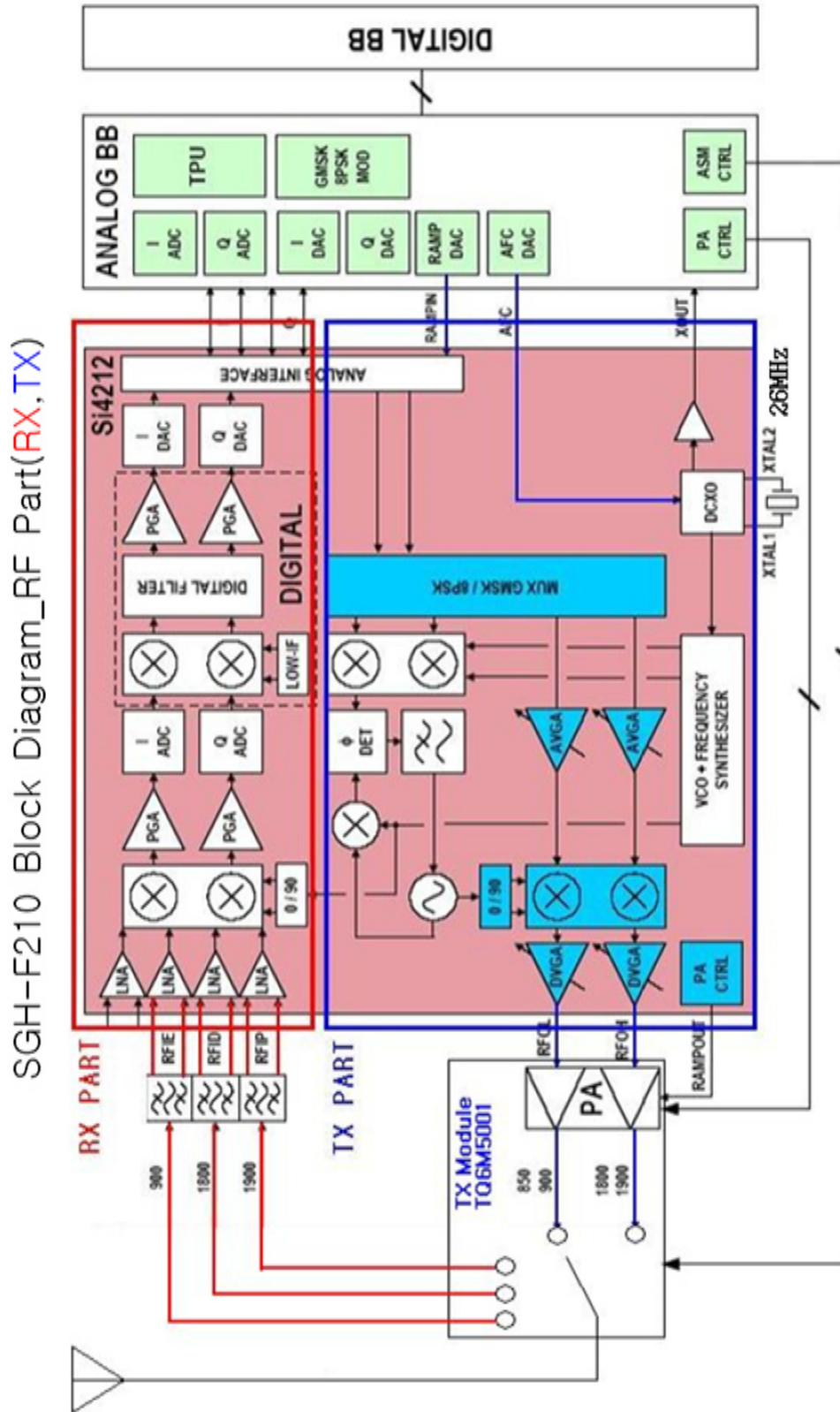


8. Block Diagrams



SGH-F210 Baseband Part Block diagram

