

IFC500

G\_2  
SNS\_2  
VCCD\_2

TP513 TP511 TP510 TP509 TP508 TP507

GND TDO TCK TMS TDI RST HW-1-1

VCCD  
GREEN  
RED

MIC\_P  
MIC\_N

VR102 VR103  
SOC101

G1

G2

R113 R114 R115 R116 R117 R118 R119  
R107  
CN101  
TA105 U104 C104 C105 C103 C102 C100

G7

G10

R102 C110 C107 U102  
U103 C109 C108 TA103 C106  
TA104  
R108 R106 R109  
U101  
R110

ANT101

SIM100

G8

G9

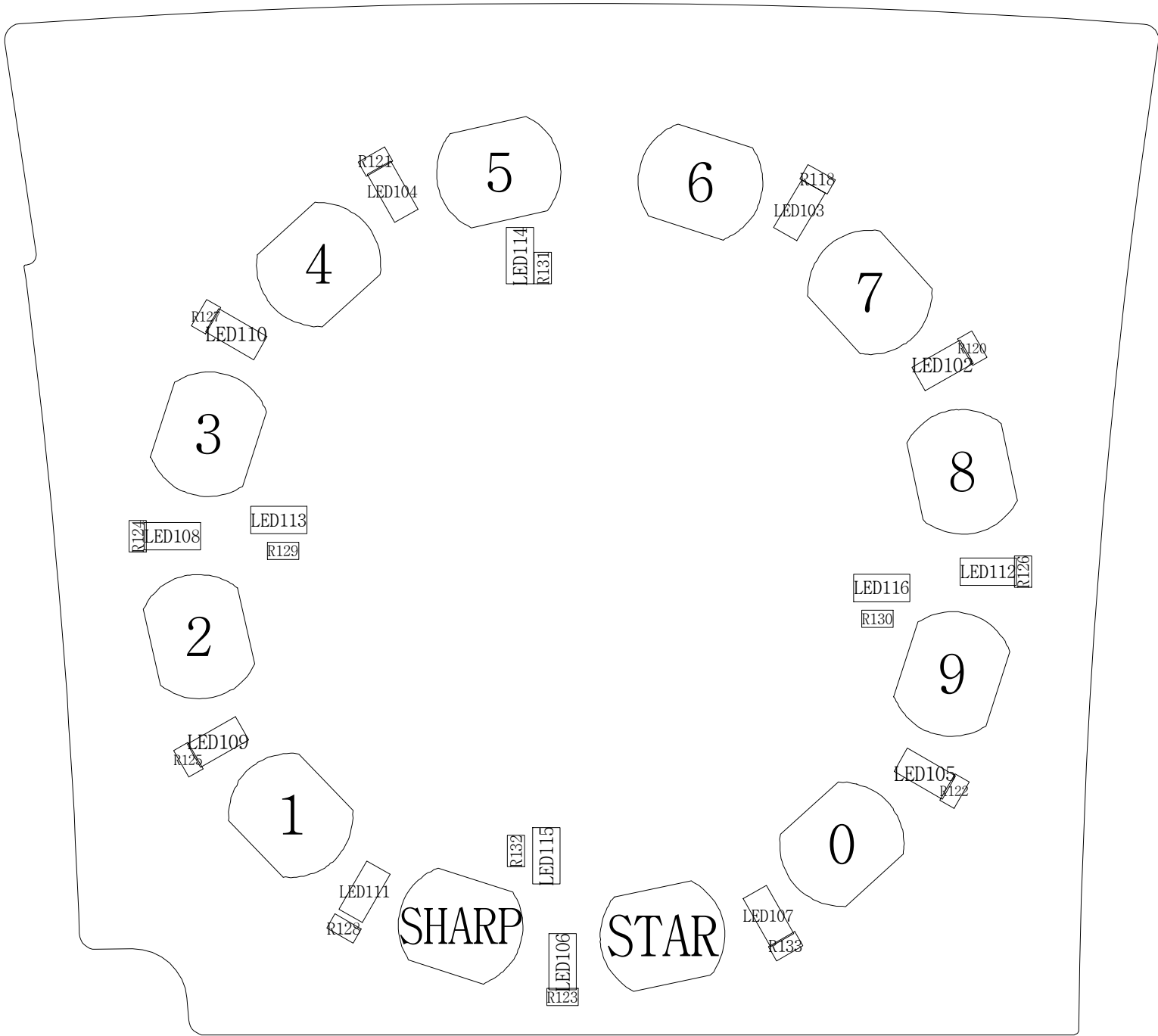
D101 ZD101 ZD102 ZD103

HDC101

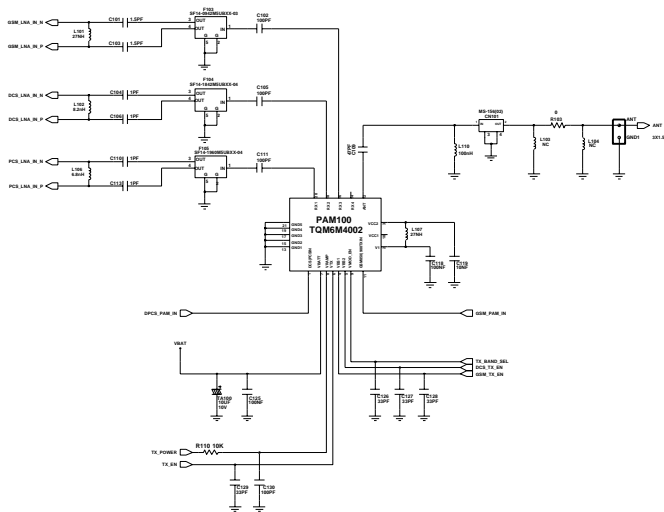
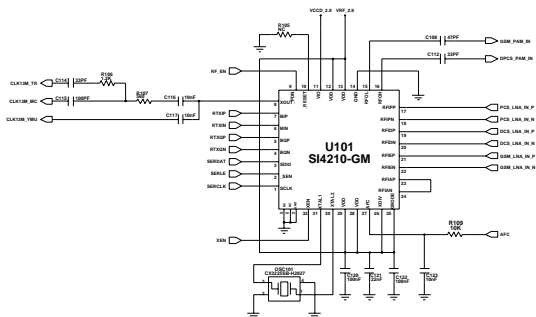
G3

TA100 TA101  
R34 NR101 C101

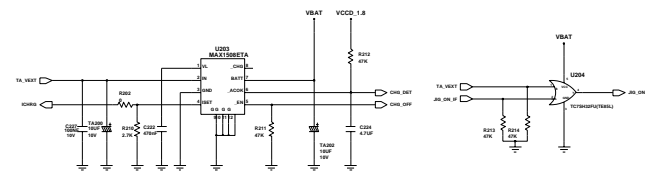
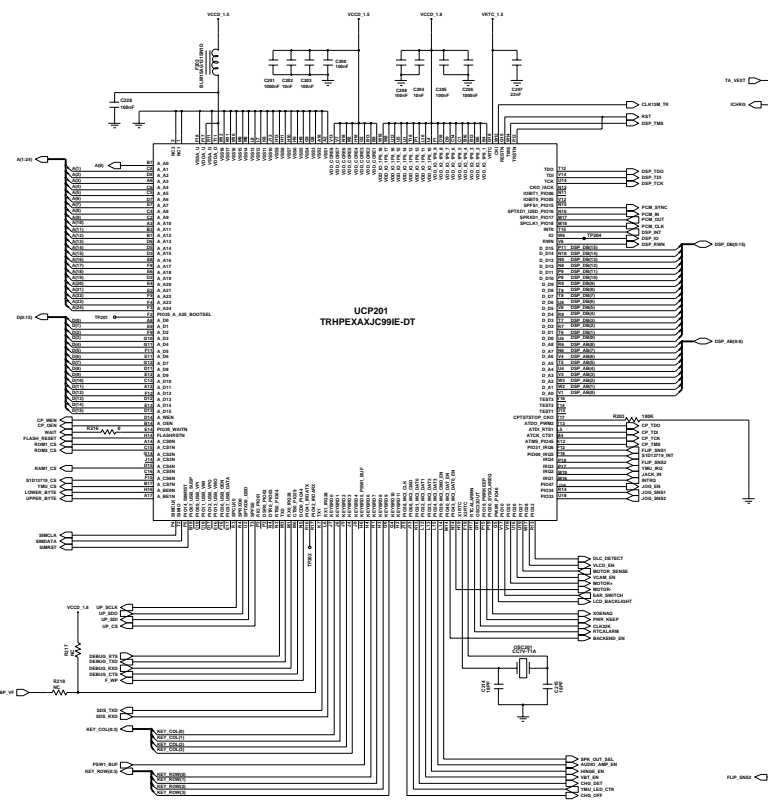
BTC101



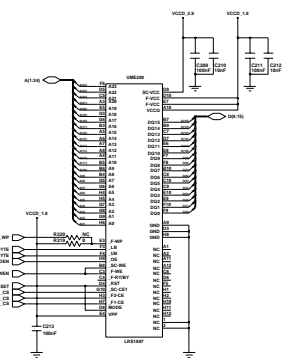




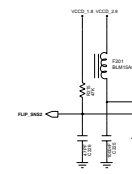
POWER	COMPANY NAME
DESIGN BY	Address
DATE	City
DESIGN CHECKED	
REVISION/REV	SGH-E910_REV2.9



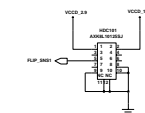
TA\_CHARGER



MEMORY

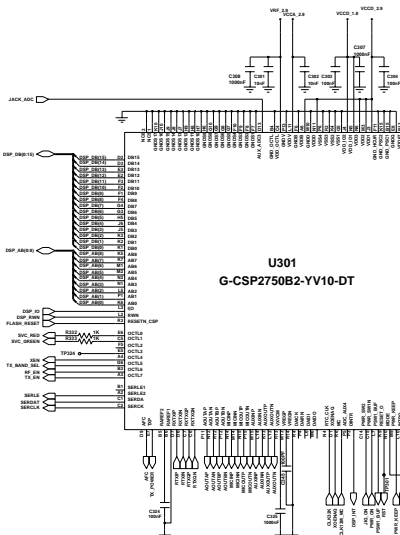


OPEN\_SENSOR

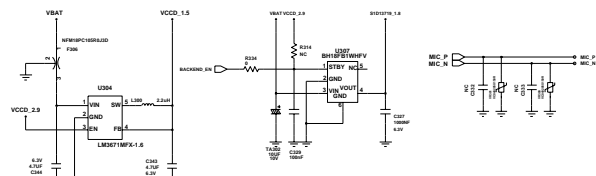


CLOSE\_SENSOR

COMPANY		COMPANY NAME	
ADDRESS	STREET	ADDRESS	STREET
PHONE	FAX	PHONE	FAX
WEBSITE	EMAIL	WEBSITE	EMAIL
SGH-E910_REV2.9		SGH-E910_REV2.9	



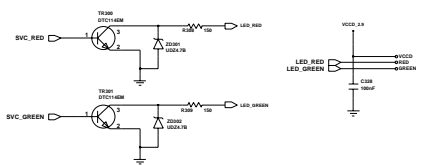
**U301**  
**G-CSP2750B2-YV10-DT**



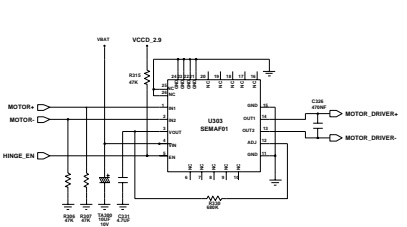
**CORE\_DCDC**

**BACK\_END**

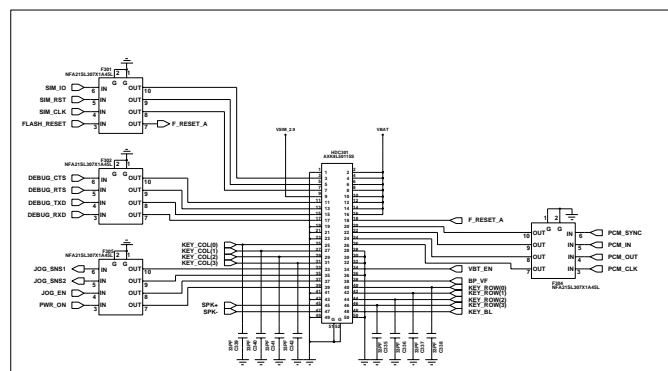
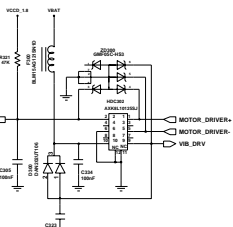
**MIC**



**SVC\_LED**

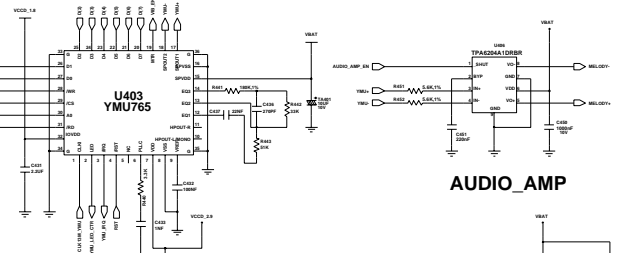
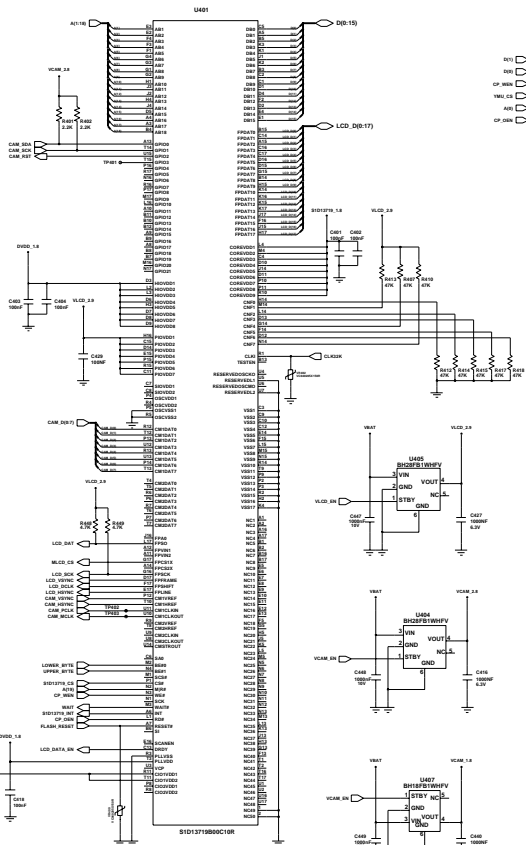


**AUTO\_HINGE**

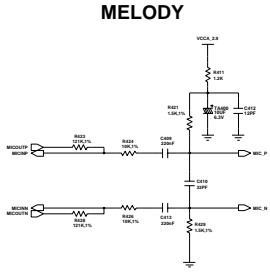


**CON\_TO\_CON**

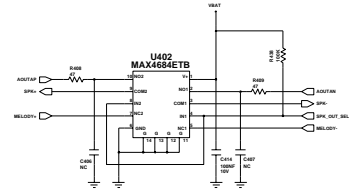
Company Name		Title	
Drawn by	Checked	DATE	REV
DESIGNED BY	APPROVED	DATE	REV
SGH-E910_REV2.9			



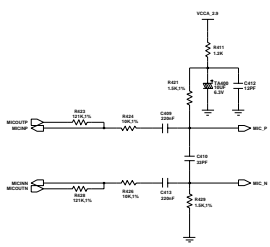
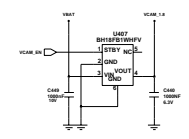
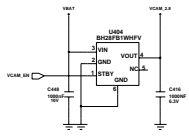
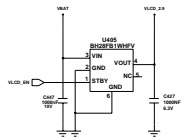
**AUDIO\_AMP**



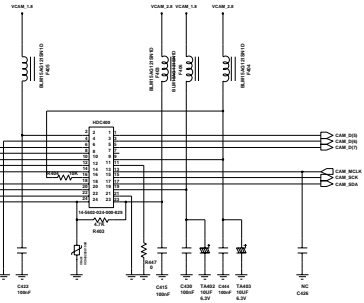
**MELODY**



**AUDIO\_SW**

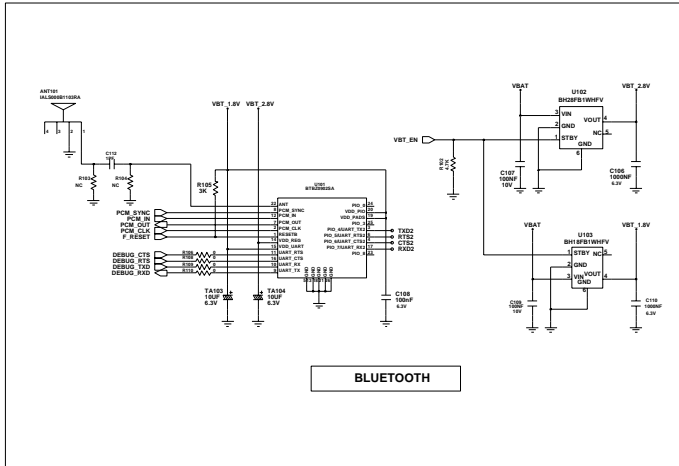


**CAMERA\_CONNECTOR**

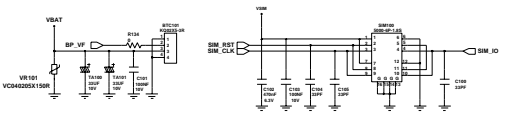


Project		COMPANY NAME	
Design By	TITLE	Address	City
Rev	DATE	State	ZIP
Project No.	PROJECT CODE	<b>SGH-E910_REV2.9</b>	
Rev	DATE		
Design By	DATE	DATE	DATE



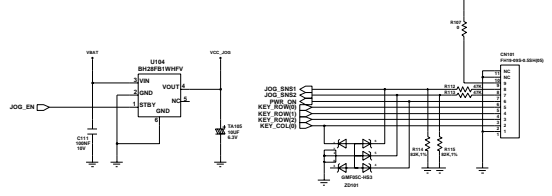


BLUETOOTH

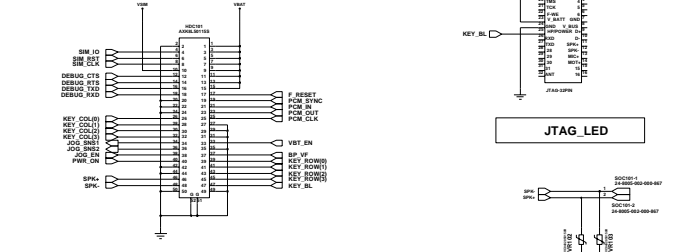


BATTERY CONTACT

SIM CONNECTOR



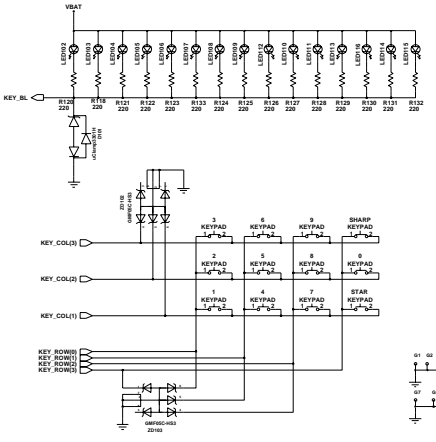
DISC JOG



CON TO CON

JTAG\_LED

SPEAKER



3\*4 KEY

Engineer	COMPANY NAME
Designer	Address
Verifier	City
Tester	Country
Printed Date	SGH_E910_REV2.9