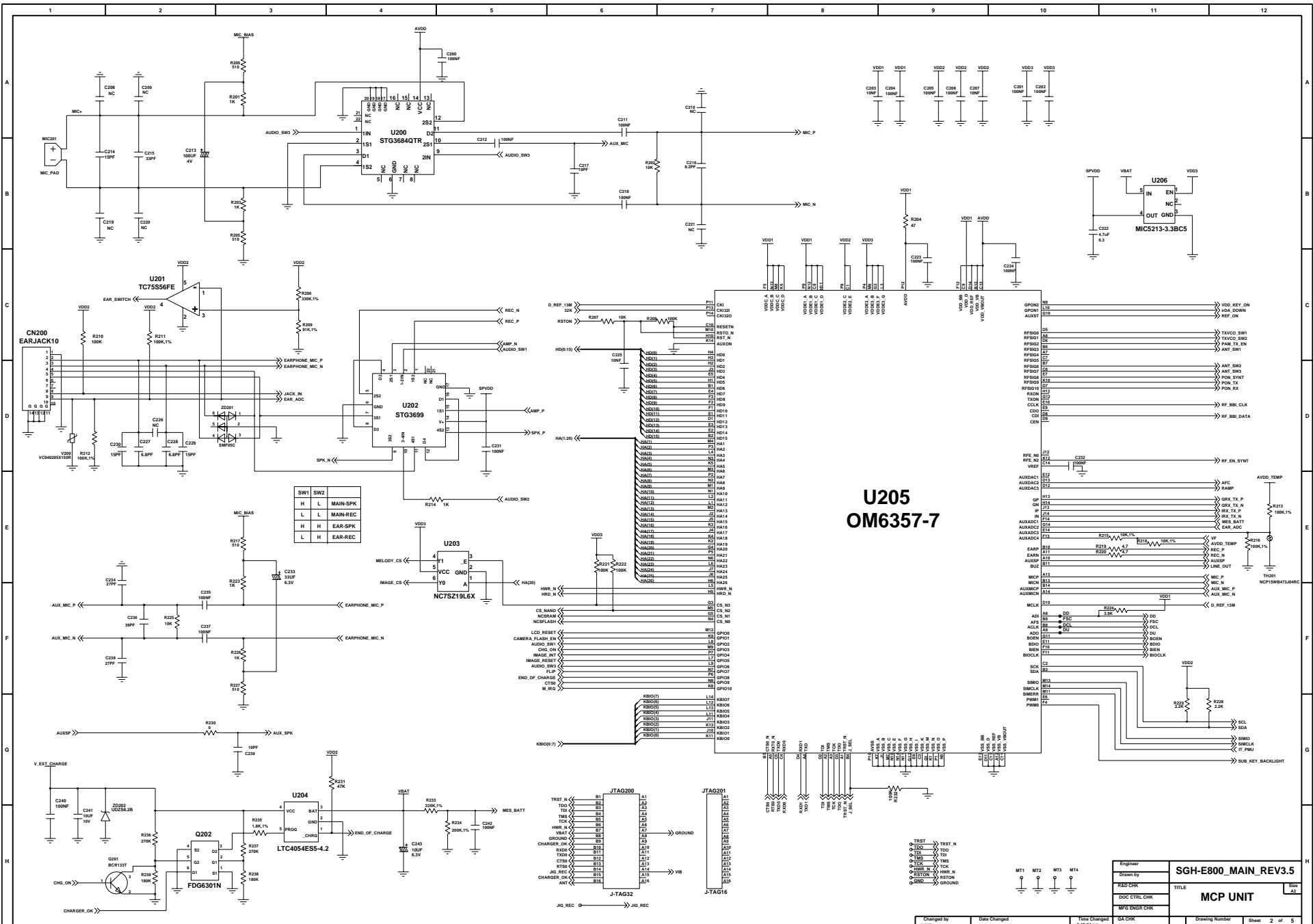
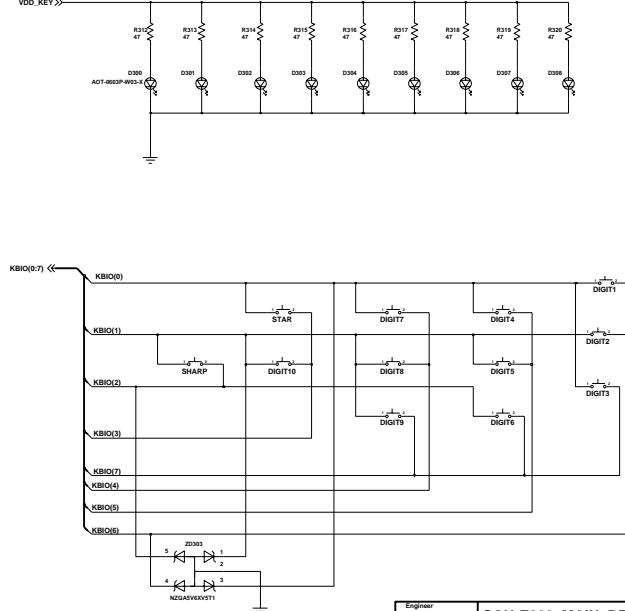
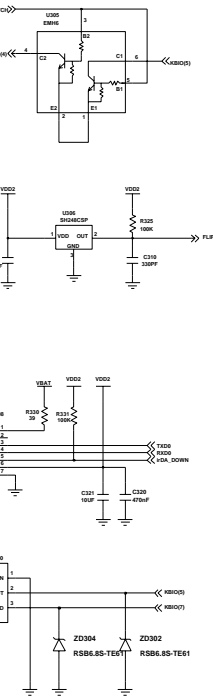
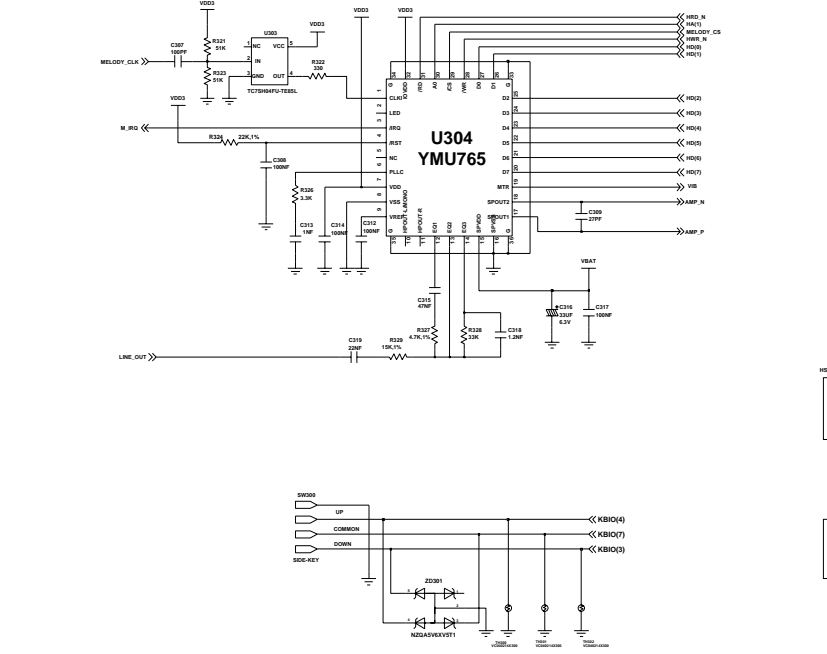
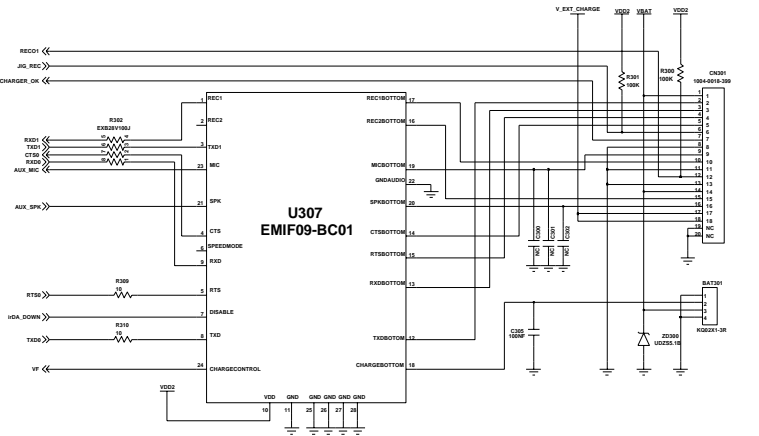
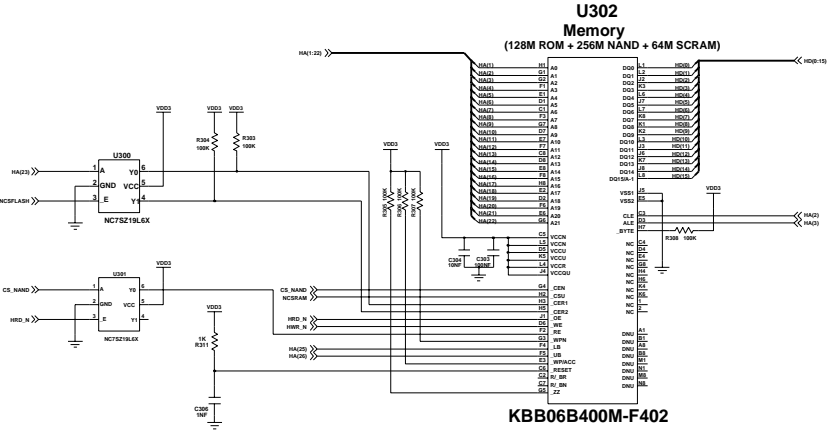


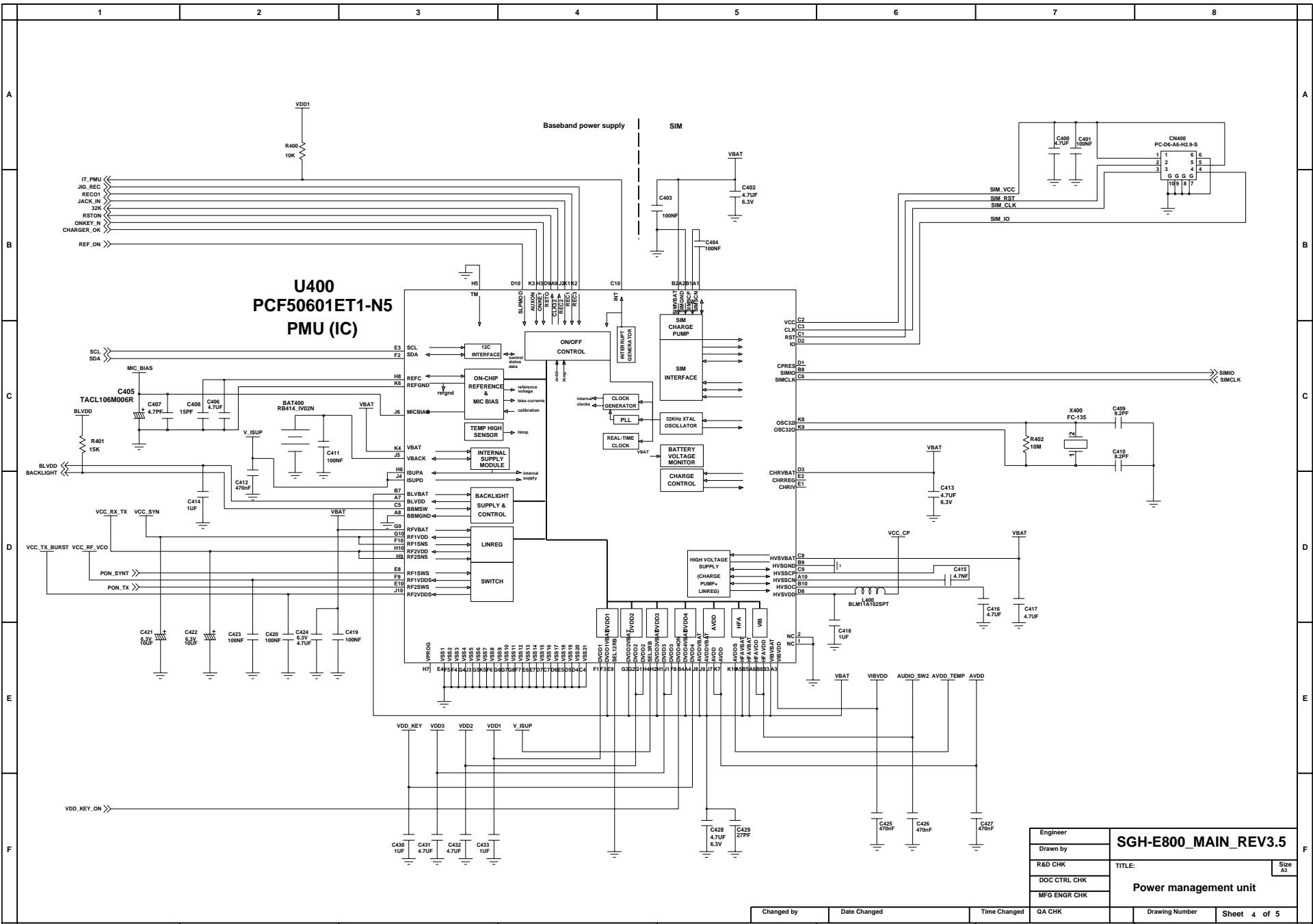
Engineer	SGH-E800-MAIN-REV3.5
Drawn by	
R&D CHK	TITLE
DOC CTRL CHK	RF_Schematic
MFG ENGR CHK	



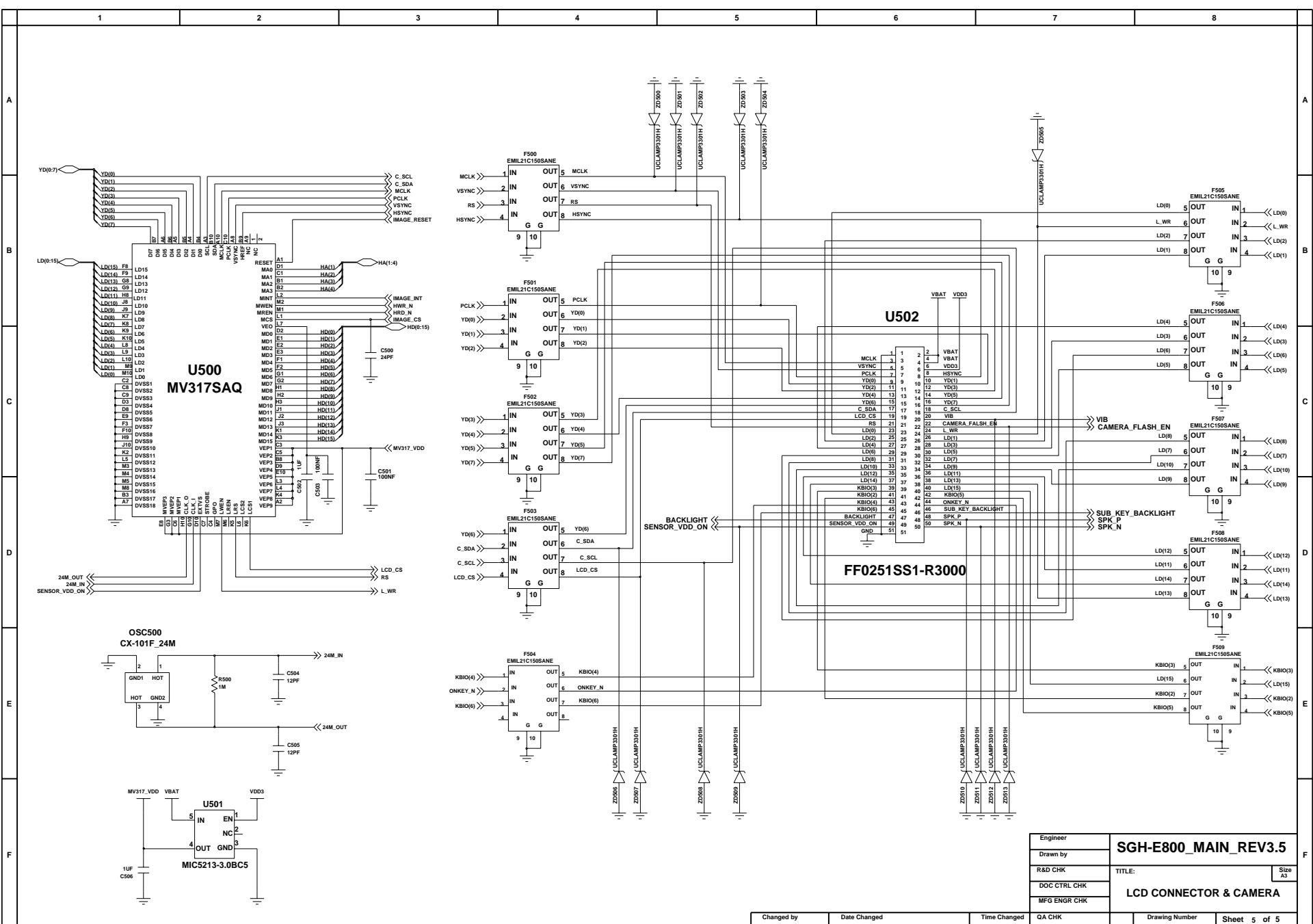
**U205
OM6357-7**

Engineer	SGH-E800_MAIN_REV3.5
Drawn by	
FIELD CHK	TITLE
DOC CTRL CHK	MCP UNIT
MFG ENDR CHK	Sheet 2 of 5

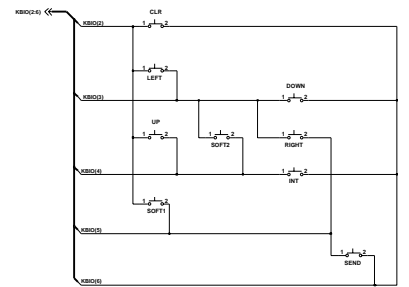
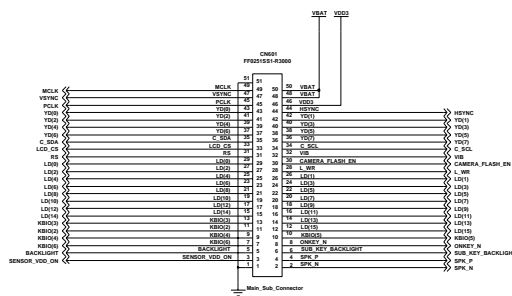
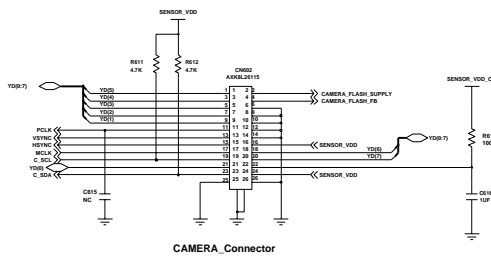
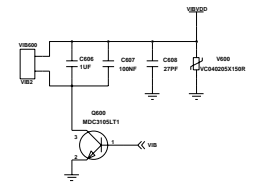
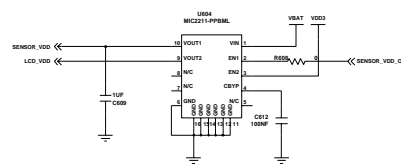
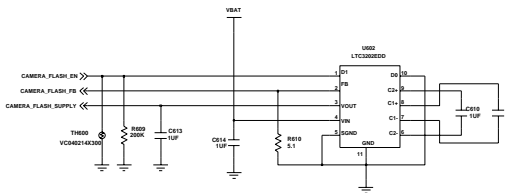
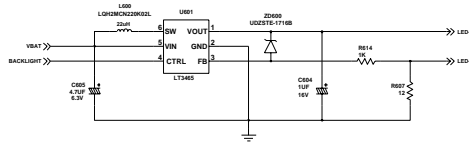
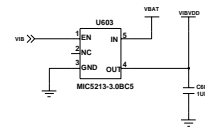
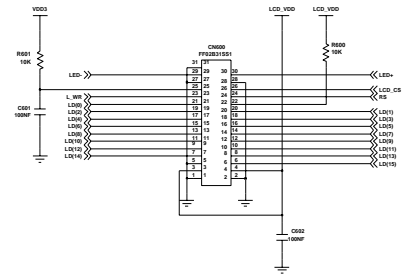
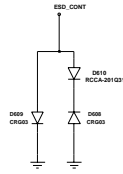
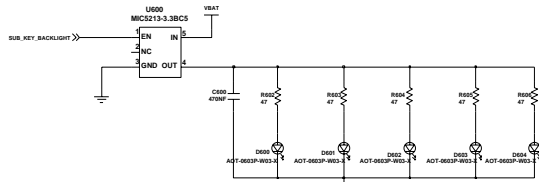


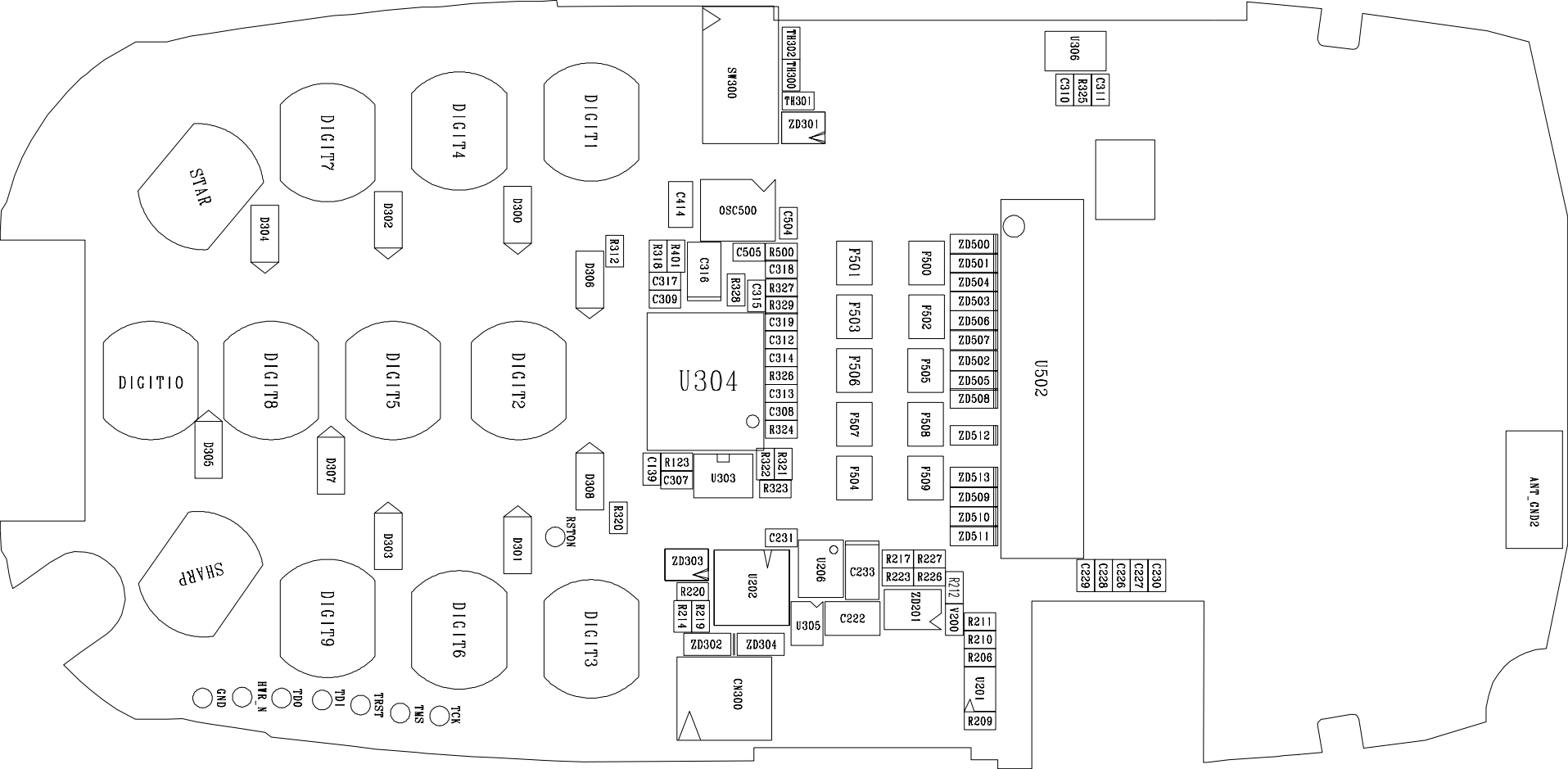


Engineer	SGH-E800_MAIN_REV3.5		
Drawn by			
R&D CHK	TITLE:	Size A3	
DOC CTRL CHK	Power management unit		
MFG ENGR CHK			
QA CHK	Charged by	Date Changed	Time Changed
	Drawing Number	Sheet 4 of 5	

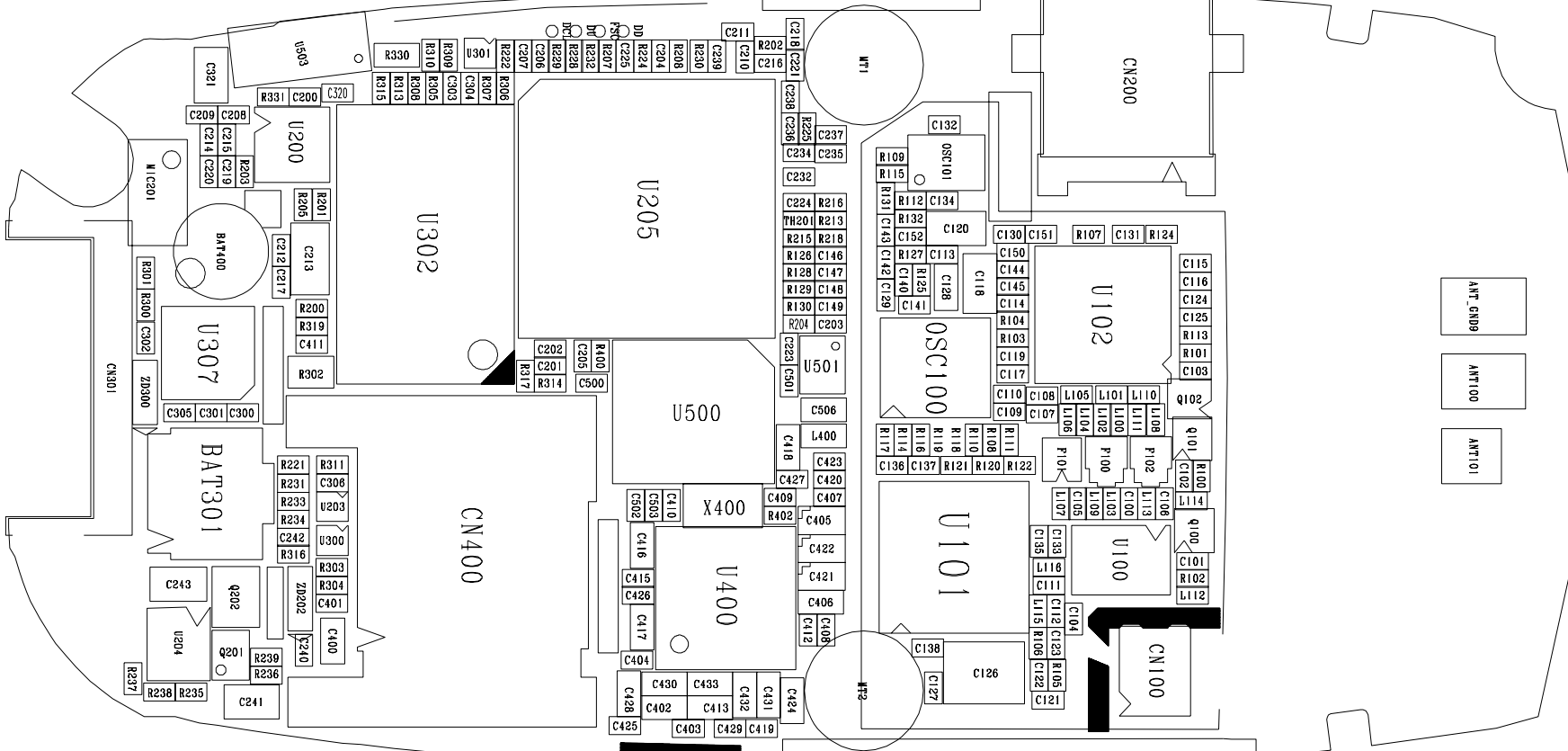


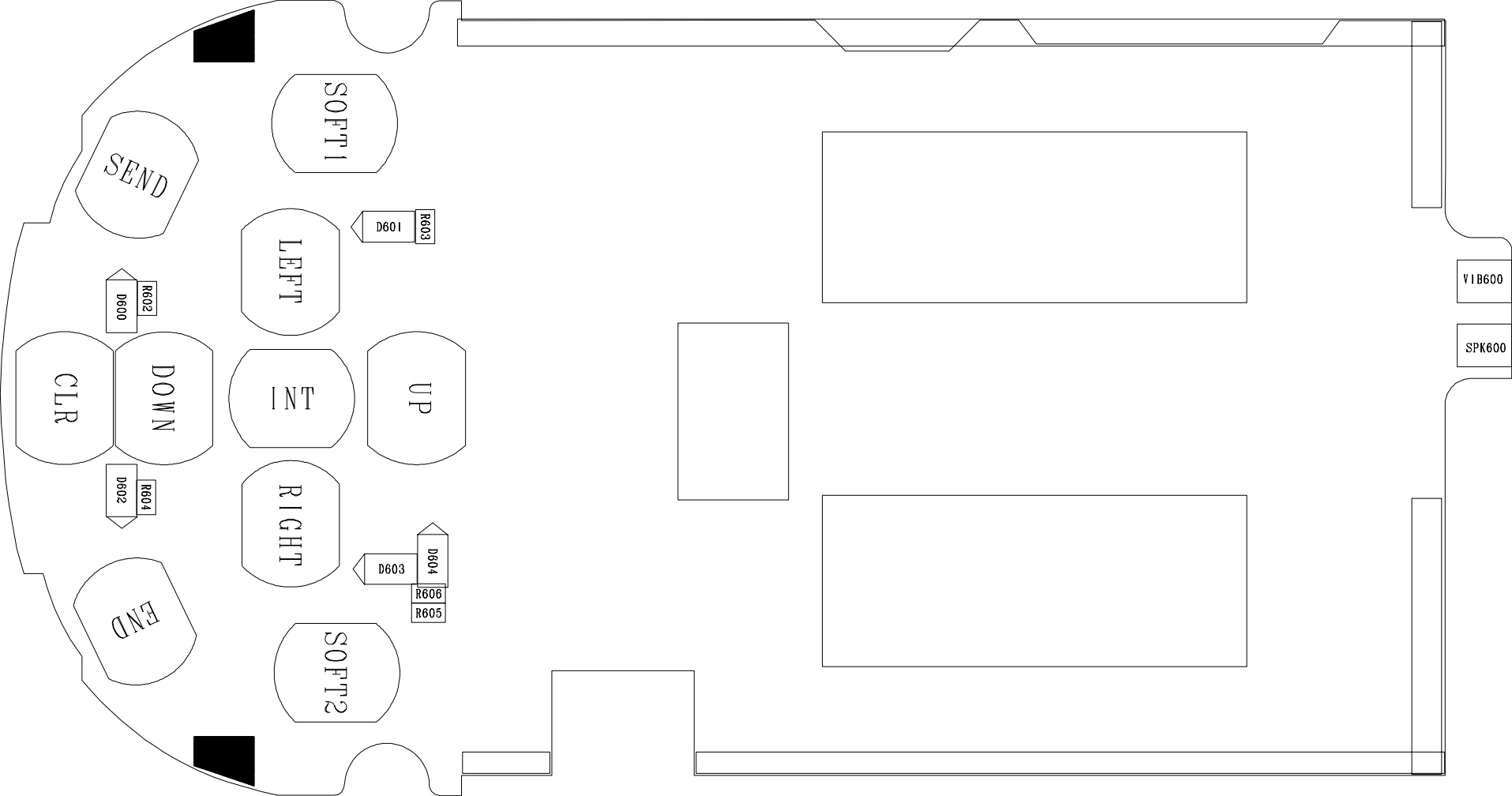
Engineer	SGH-E800_MAIN_REV3.5		
Drawn by			
R&D CHK	TITLE:	Size A3	
DOC CTRL CHK	LCD CONNECTOR & CAMERA		
MFG ENGR CHK			
Changed by	Date Changed	Time Changed	GA CHK
Drawing Number	Sheet 5 of 5		





- TCK
- TMS
- TRST
- TDI
- TDO
- HTR_N
- GND





V1B600

SPK600

