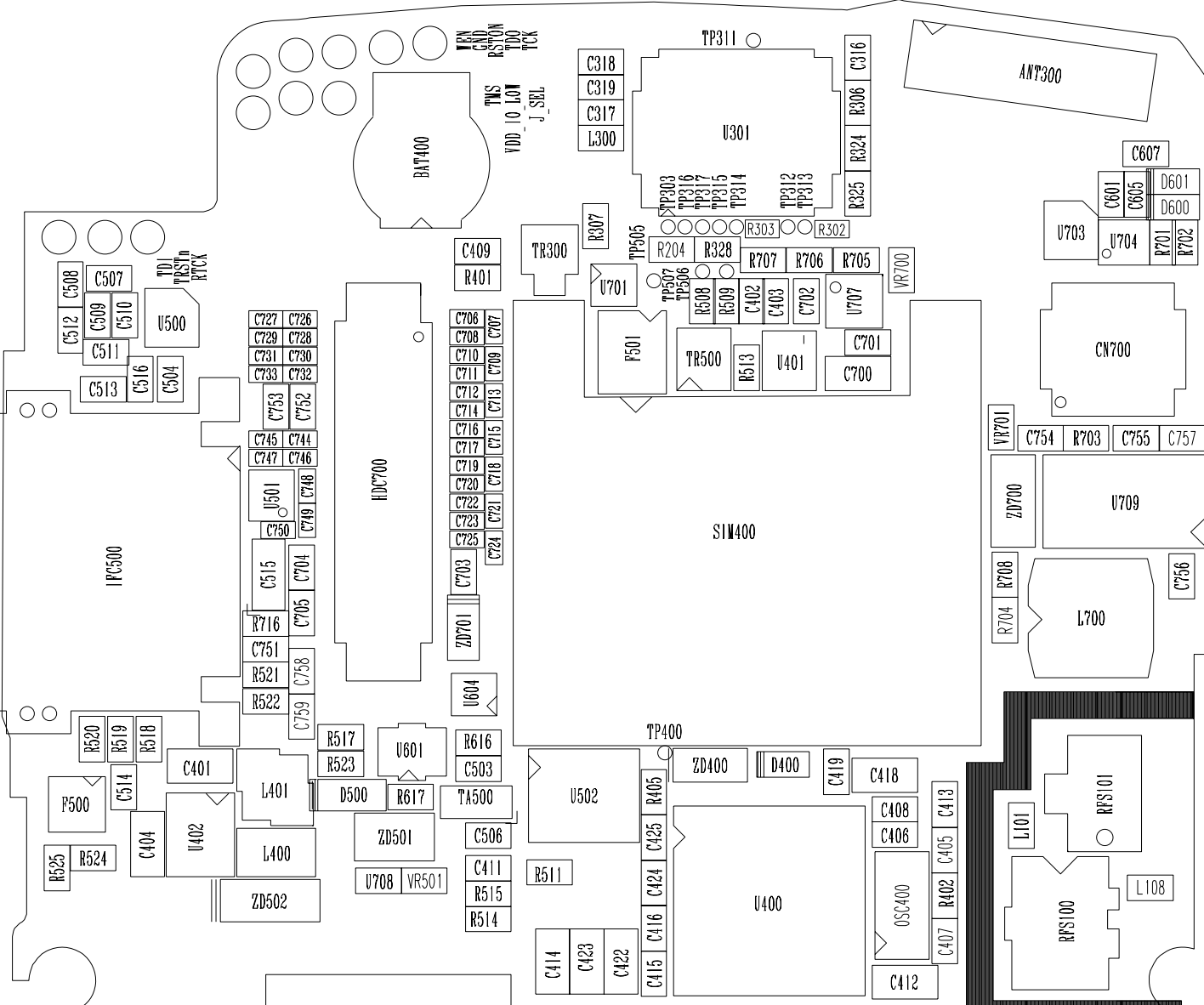
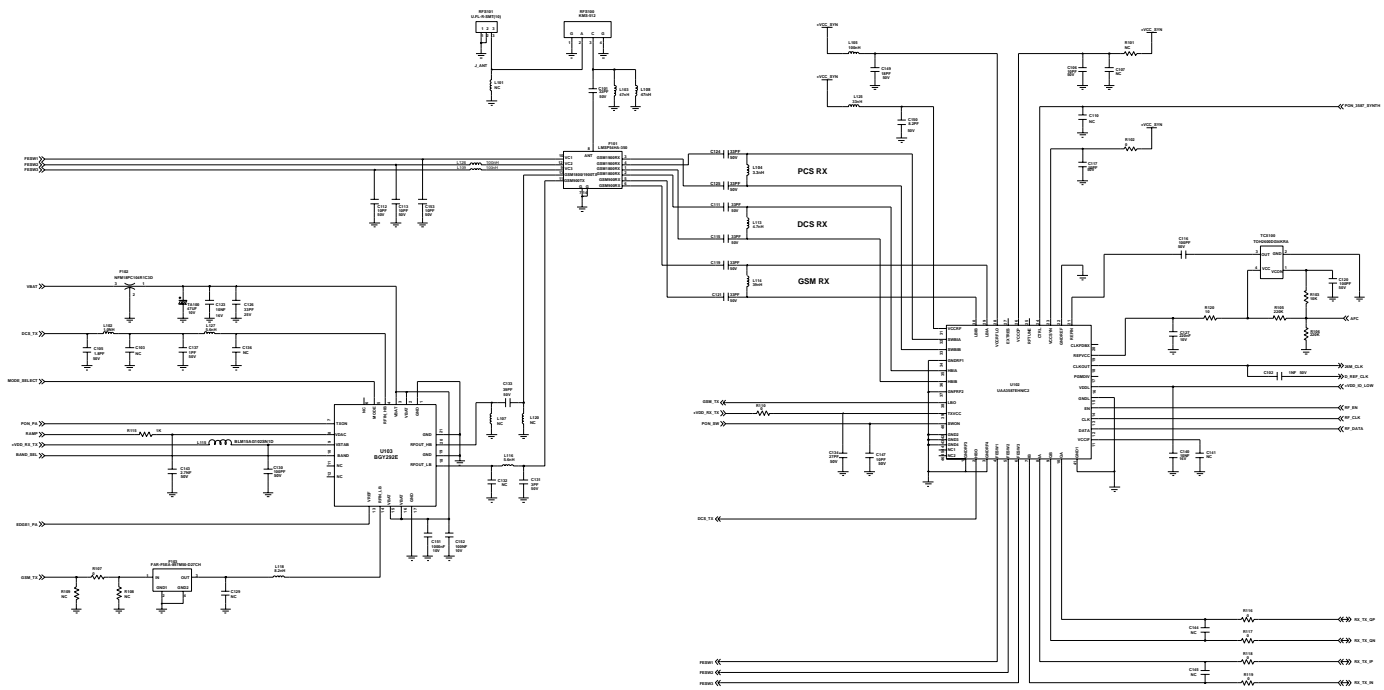


- R231
- R232
- R233
- R234
- R235
- R236
- R237
- R238
- R239
- R240
- R241
- R242
- R243
- R244
- R245
- R246
- R247
- R248
- R249
- R250

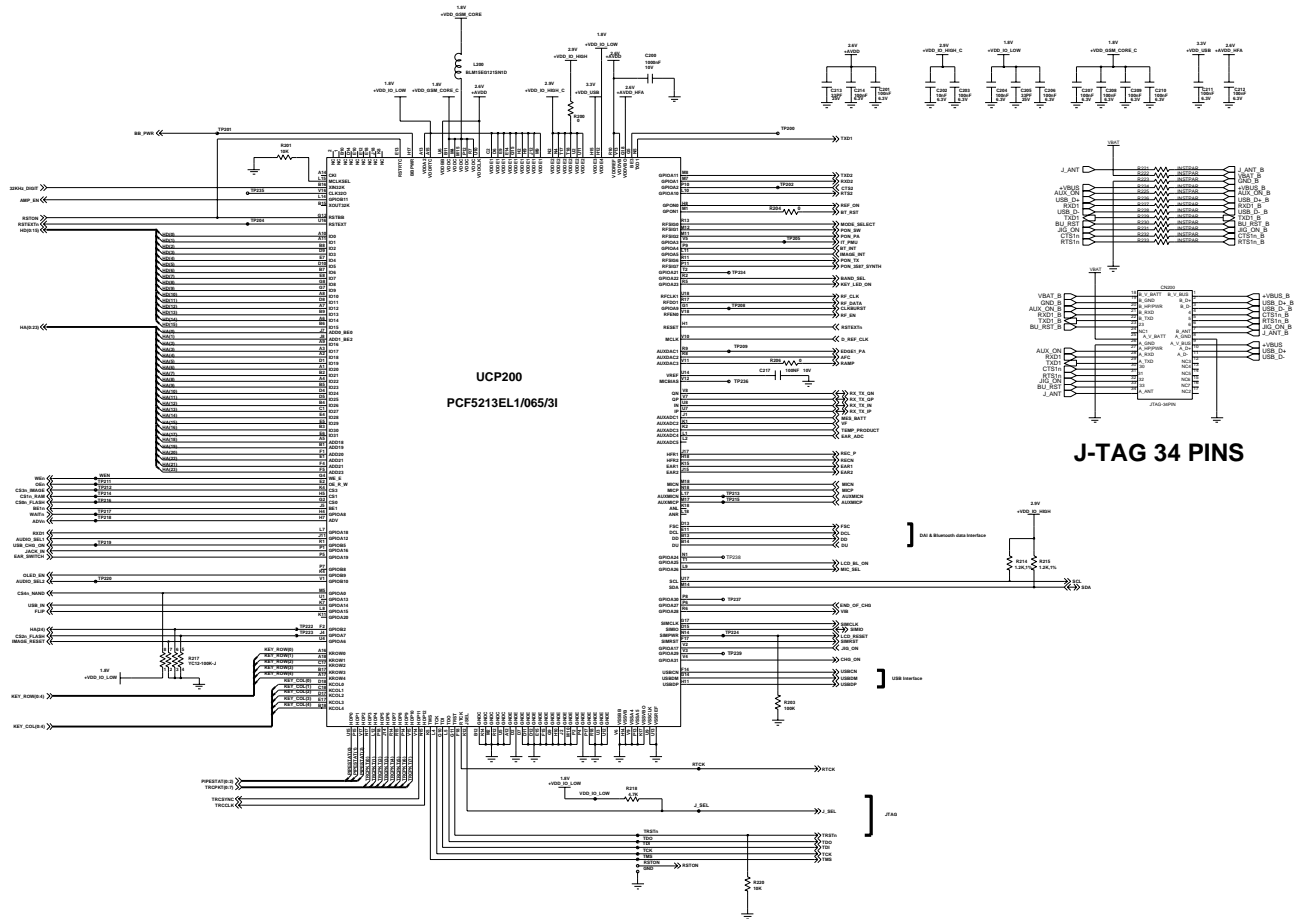
CN200

SOLD



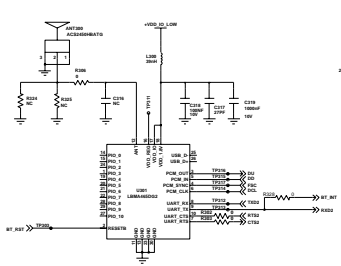
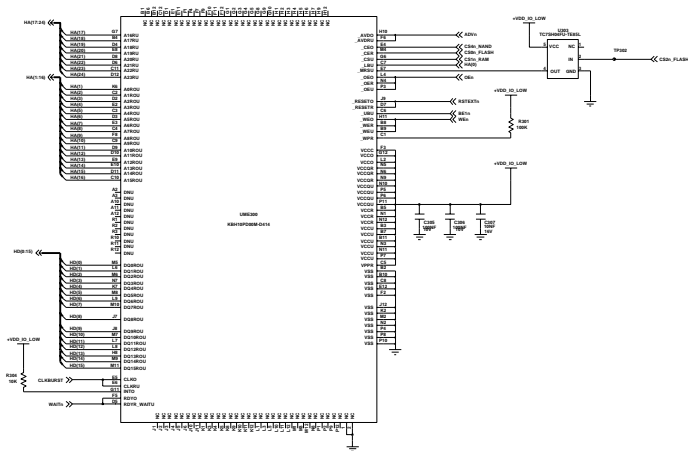


	V01	V02	V03
TUPC0000	01	L	L
TUPC0000000	01	0	L
TUPC00000	L	L	L
TUPC00000	L	L	L
TUPC00000	L	L	R

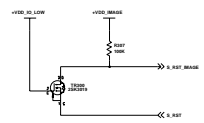


UCP200
PCF5213EL1/065/31

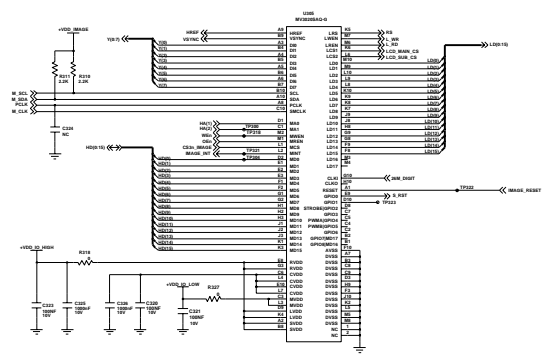
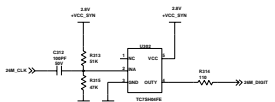
J-TAG 34 PINS



BLUE TOOTH

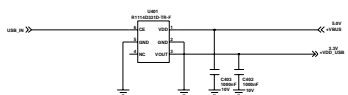


LEVEL SHIFT

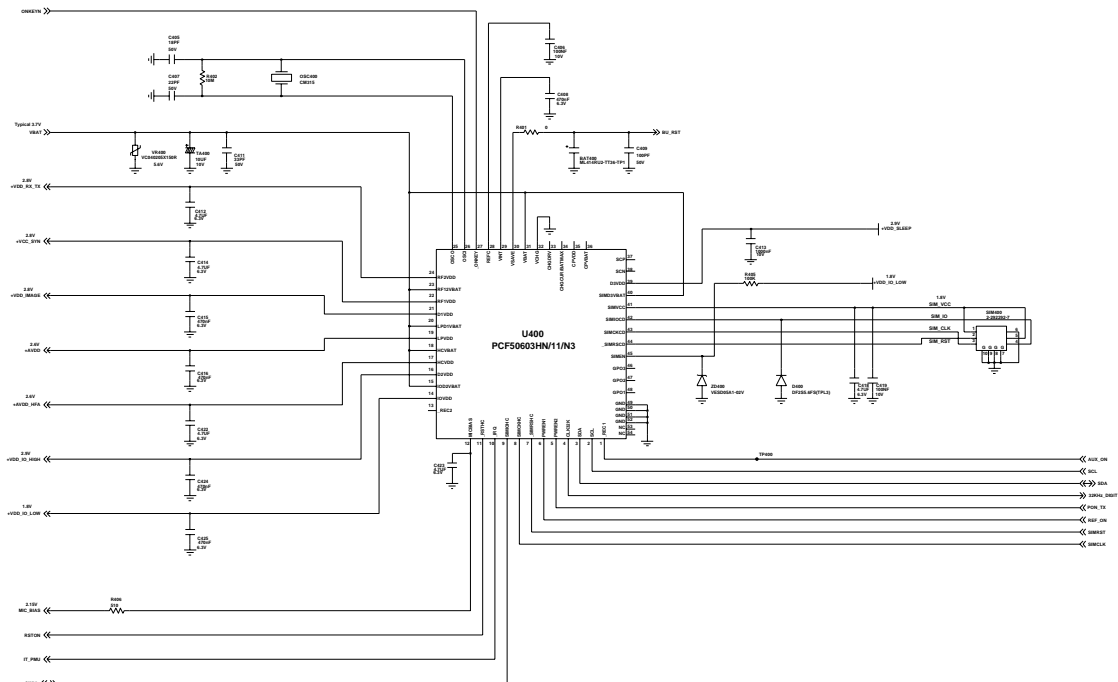
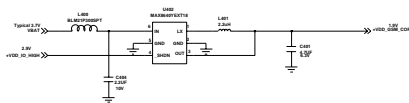


IMAGE_DSP

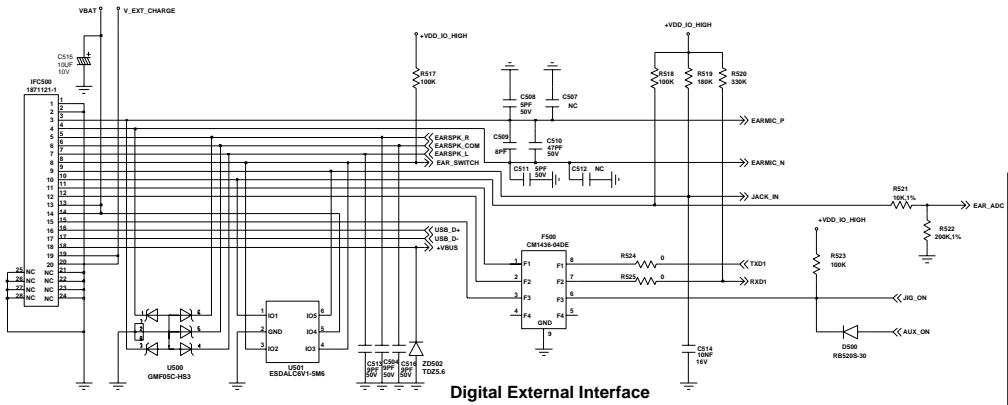
LDO



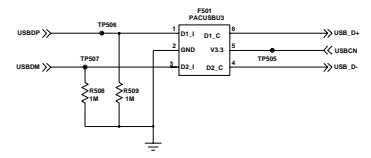
DC/DC Down Converter(1.9Volt)



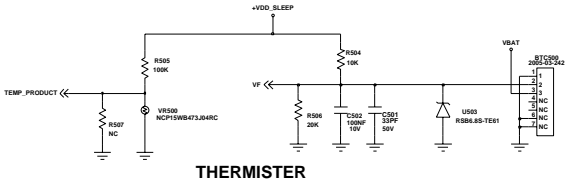
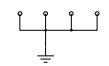
VDD33_3.3V	3.3V
VDD33_1.9V	1.9V
VDD33_1.5V	1.5V
VDD33_0.9V	0.9V
VDD33_0.5V	0.5V
VDD33_0.2V	0.2V
VDD33_0.1V	0.1V
VDD33_0.05V	0.05V
VDD33_0.02V	0.02V
VDD33_0.01V	0.01V
VDD33_0.005V	0.005V
VDD33_0.002V	0.002V
VDD33_0.001V	0.001V
VDD33_0.0005V	0.0005V
VDD33_0.0002V	0.0002V
VDD33_0.0001V	0.0001V
VDD33_0.00005V	0.00005V
VDD33_0.00002V	0.00002V
VDD33_0.00001V	0.00001V



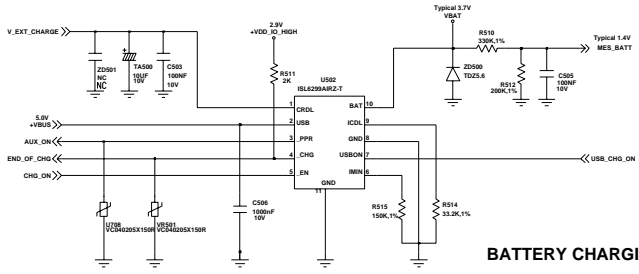
Digital External Interface



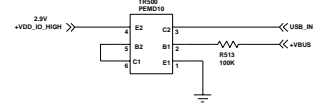
PCB HOLE



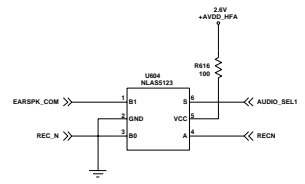
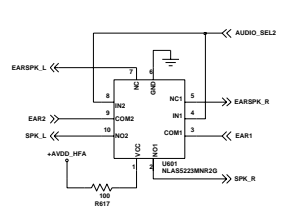
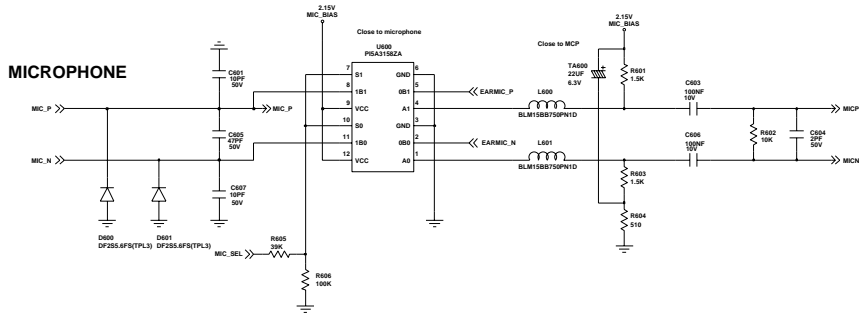
THERMISTER

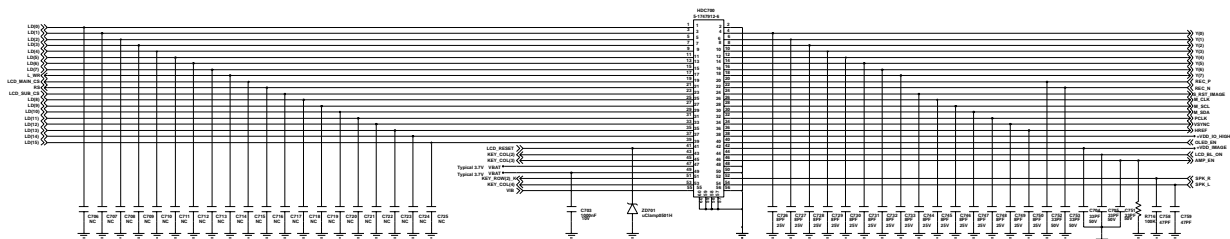
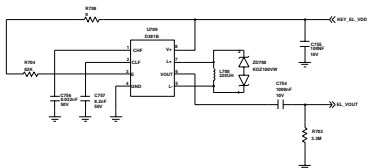
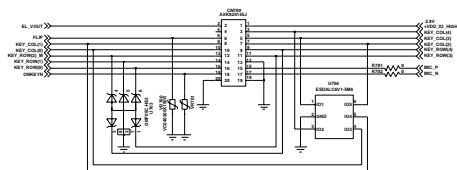
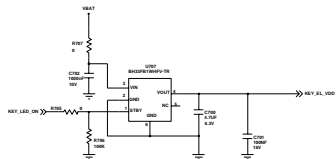
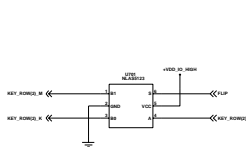


BATTERY CHARGING



Title			IF Connector & Charging Schematic
Size			SAMSUNG/SGH-E780B.S/IF & CHARGING Rev: 0.6
Date:	2006.02.22	Sheet	5 of 7





LCD_CONNECTOR