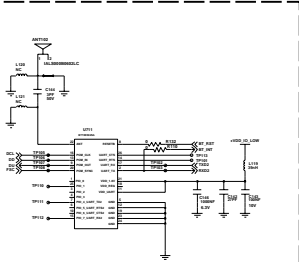
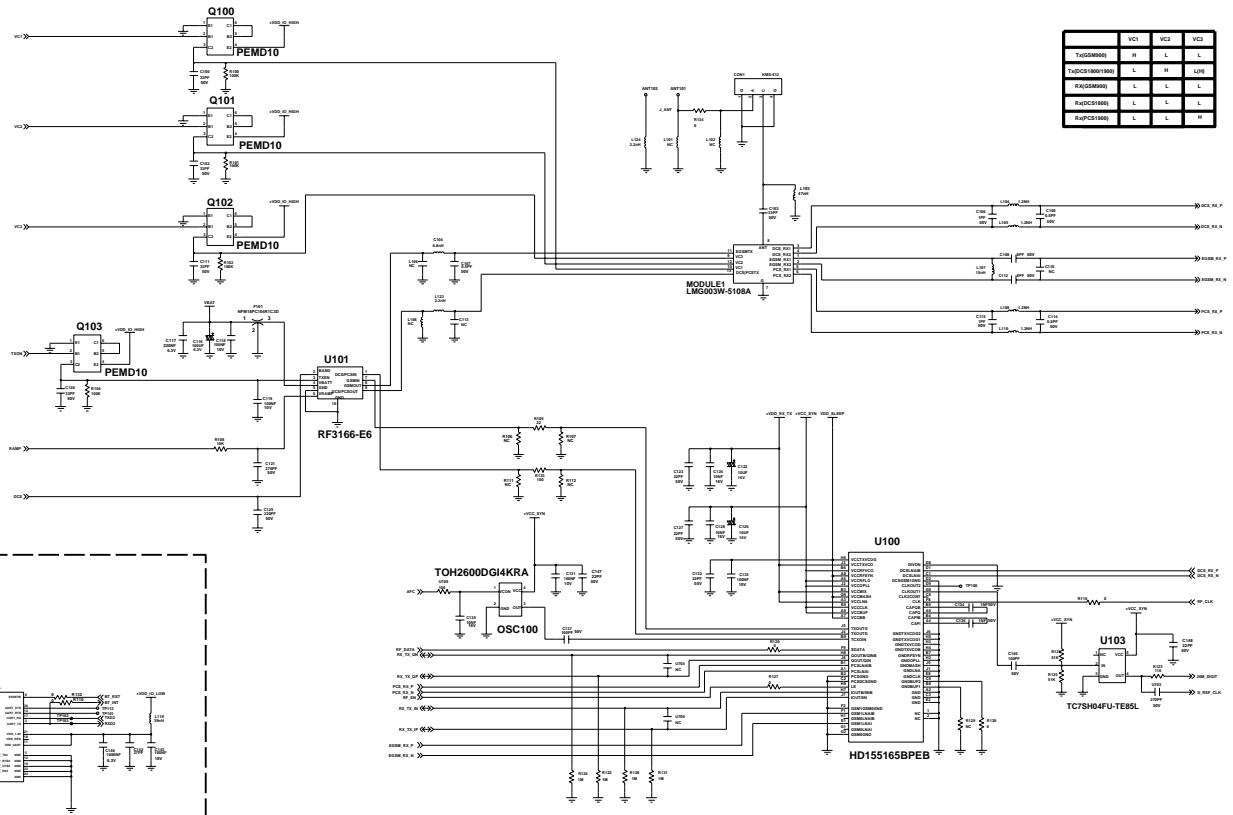
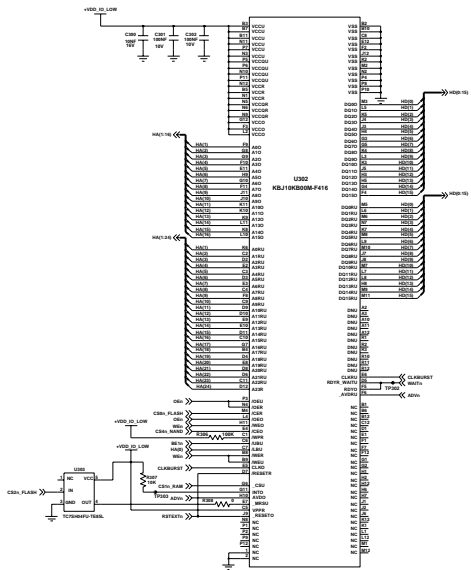


	VCC	VCC2	VCC3
Tx(DC3900)	L	L	L
Tx(DC3900V180)	L	R	QDR
Rx(DC3900)	L	L	L
Rx(DC3180)	L	L	L
Rx(PC3180)	L	L	R

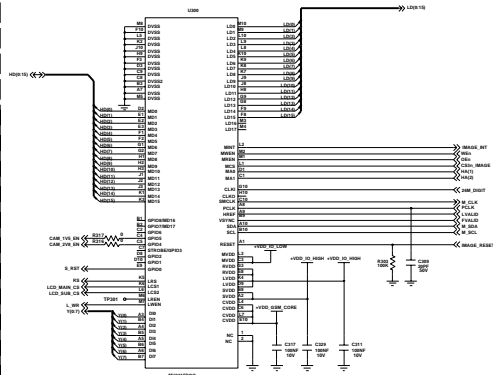


**BLUE TOOTH**

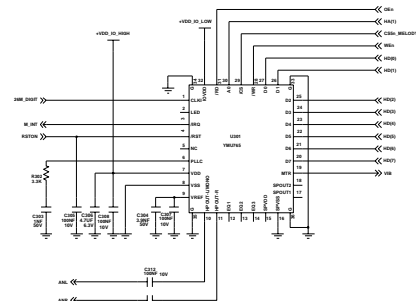




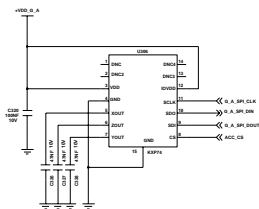
**MEMORY  
(256NOR + 1GNAND+128UtRAM)**



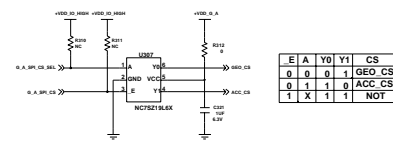
**IMAGE\_DSP(MV3315DOQ)**



**Melody IC**



**Accelerometer Sensor Circuit**

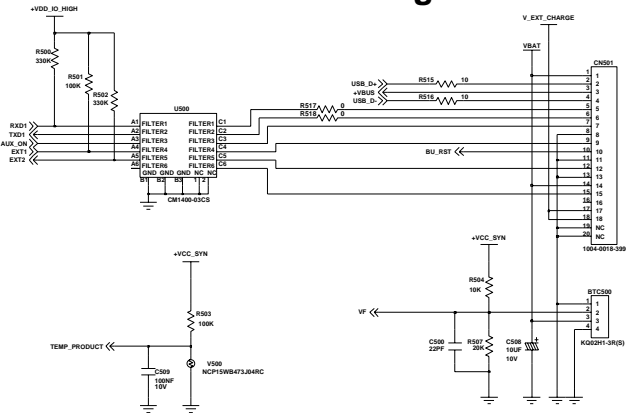


**ACC CS LOGIC**

E	A	Y0	Y1	CS
0	0	0	1	GEO_CS
0	1	1	0	ACC_CS
1	X	1	1	NOT



# Digital External Interface

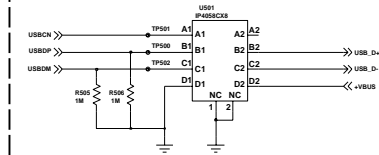


THERMISTOR

device	signal	pin connection in IF connector			internal signal
		AUX_ON (PMU REC1)	RXT_1 (EXT int)	RXT_2 (GPIO input)	
power on Device	TA	L	H	H	L
	JIG	L	H	L	L
	USB	L	H	H	H
	JIG+USB	L	H	L	H
	CAR KIT with charging	L	L	H	L
No Auto power on Device	DLC+USB	L	L	L	H
	DLC+TA	L	L	L	L
	DLC	H	L	L	L

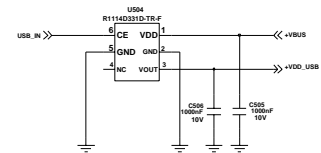


PCB\_HOLE



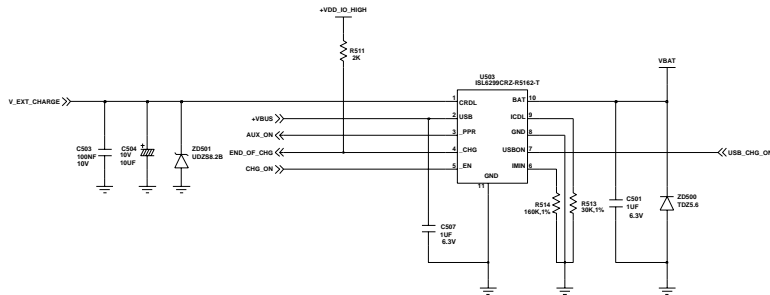
USB Interface

USB\_DETECT

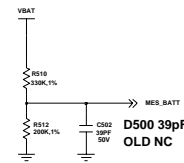


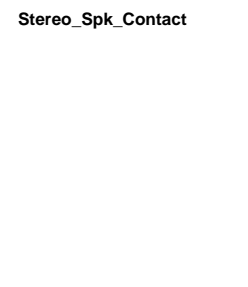
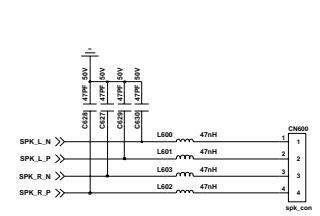
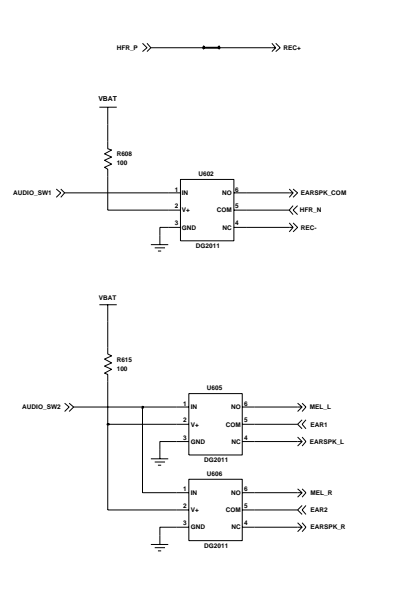
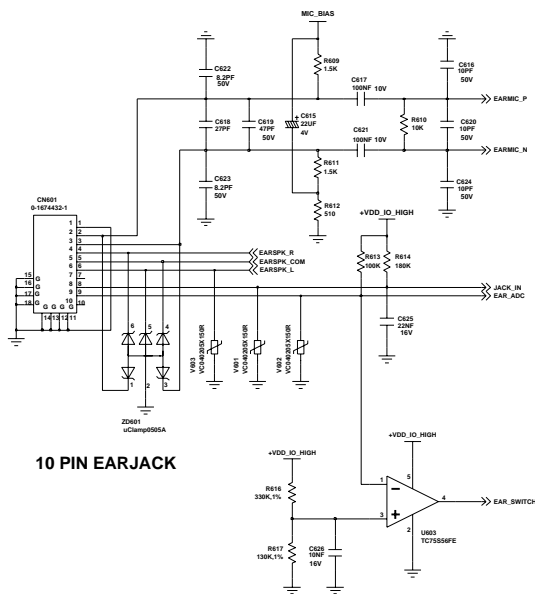
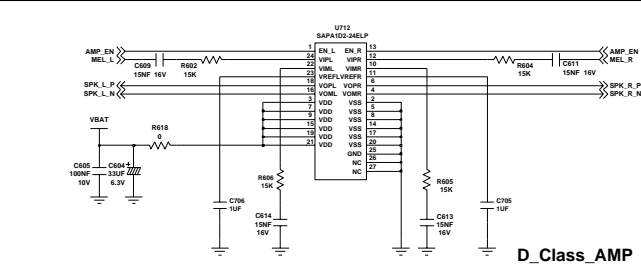
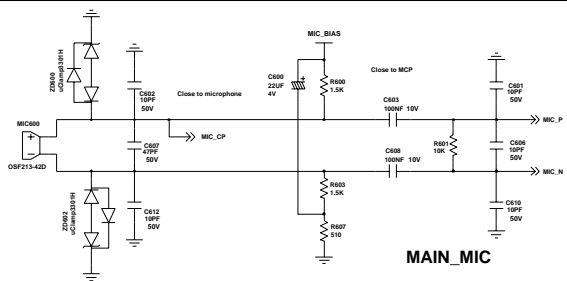
USB\_VCC

BATTERY CHARGING

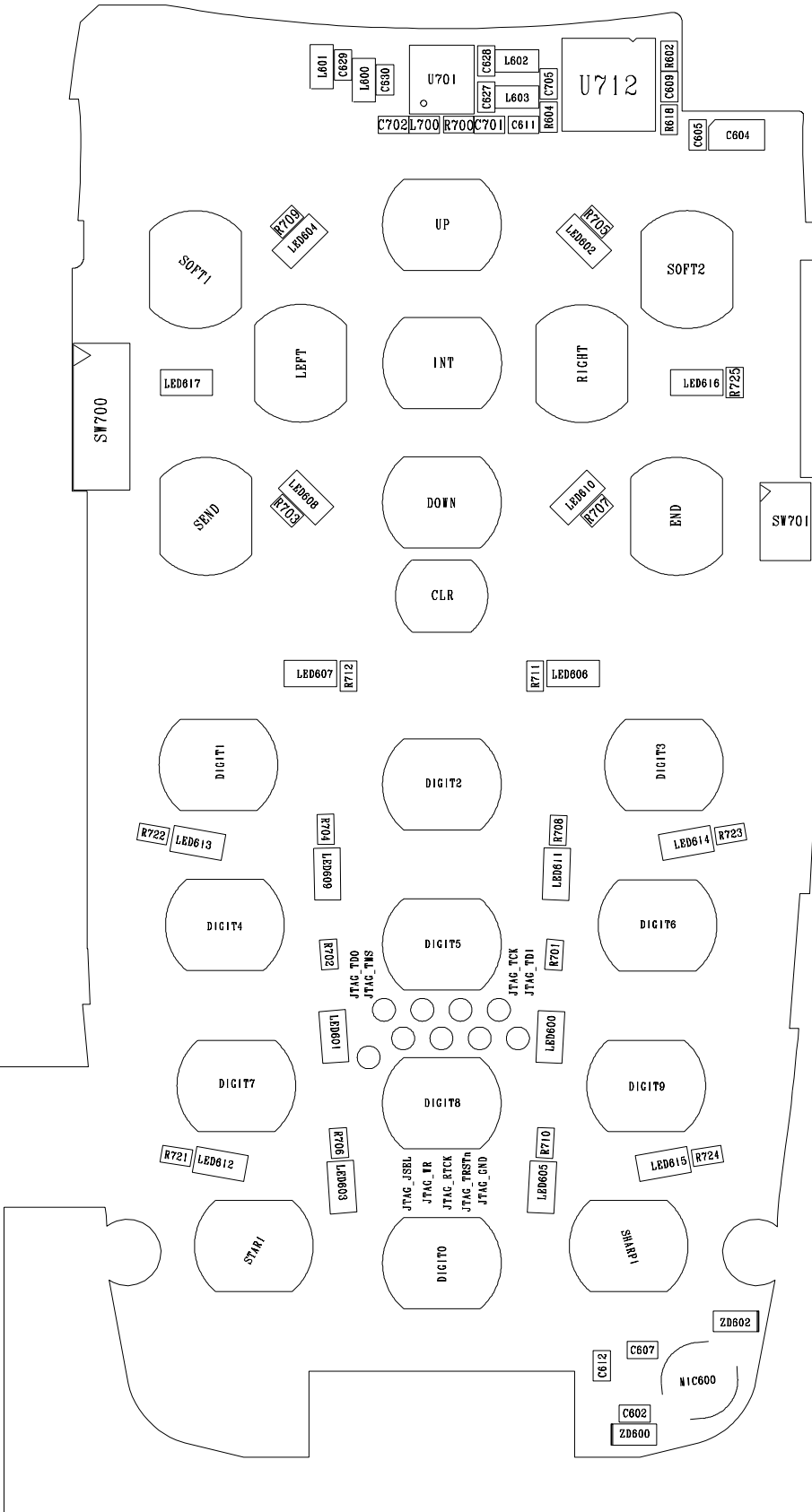


BATTERY MONITOR

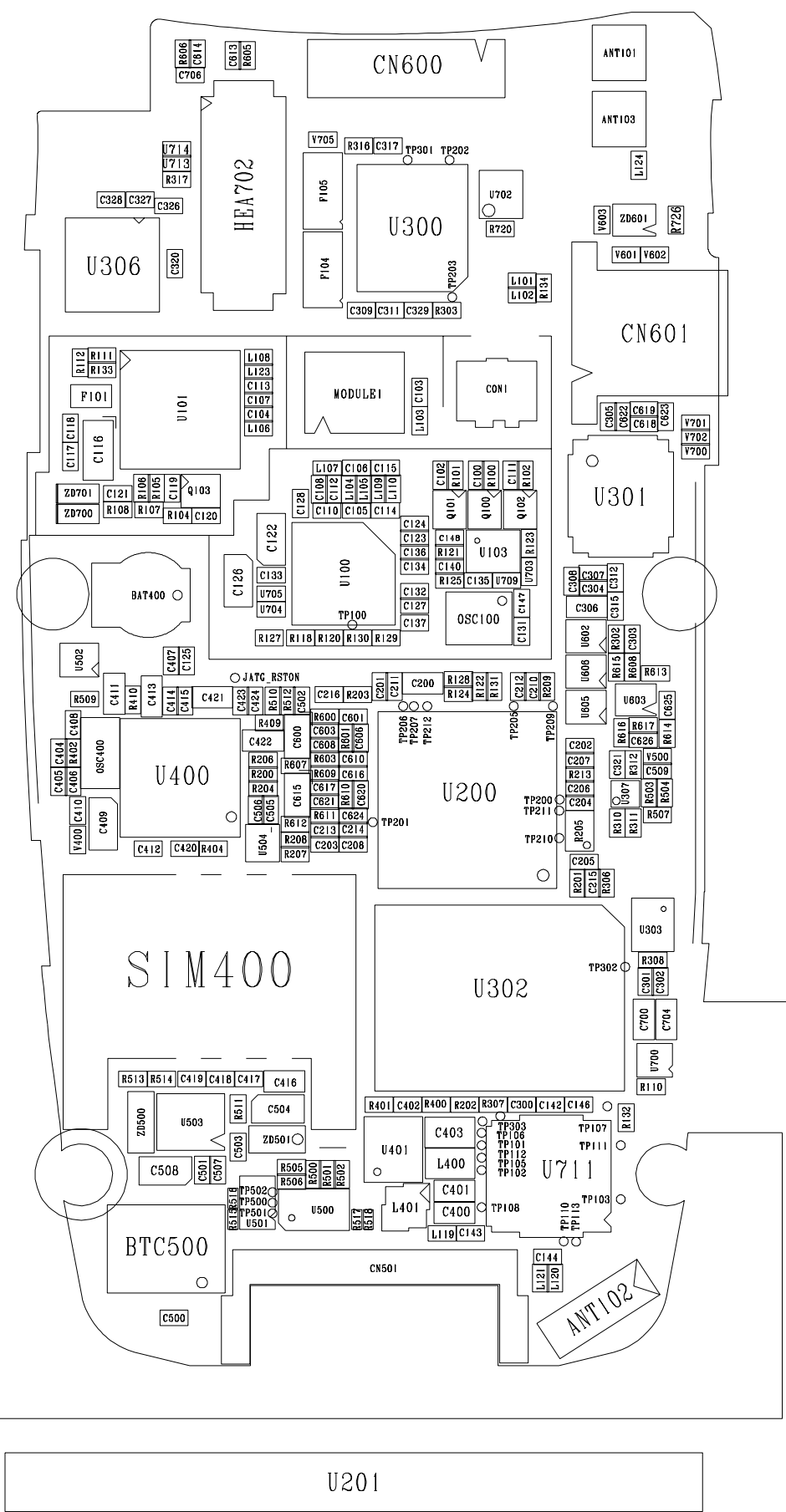












U201