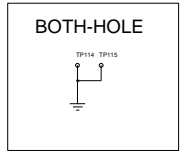
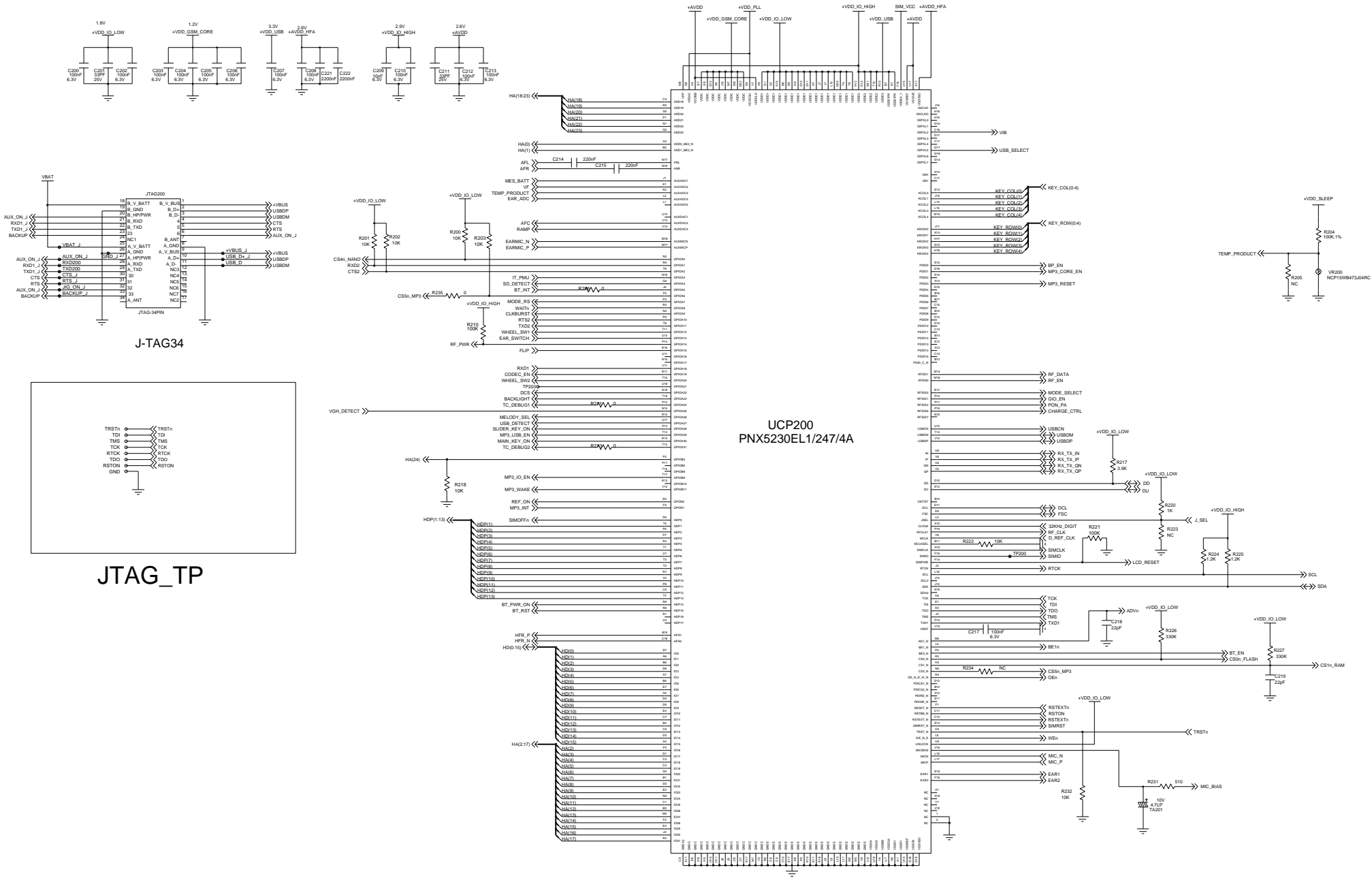
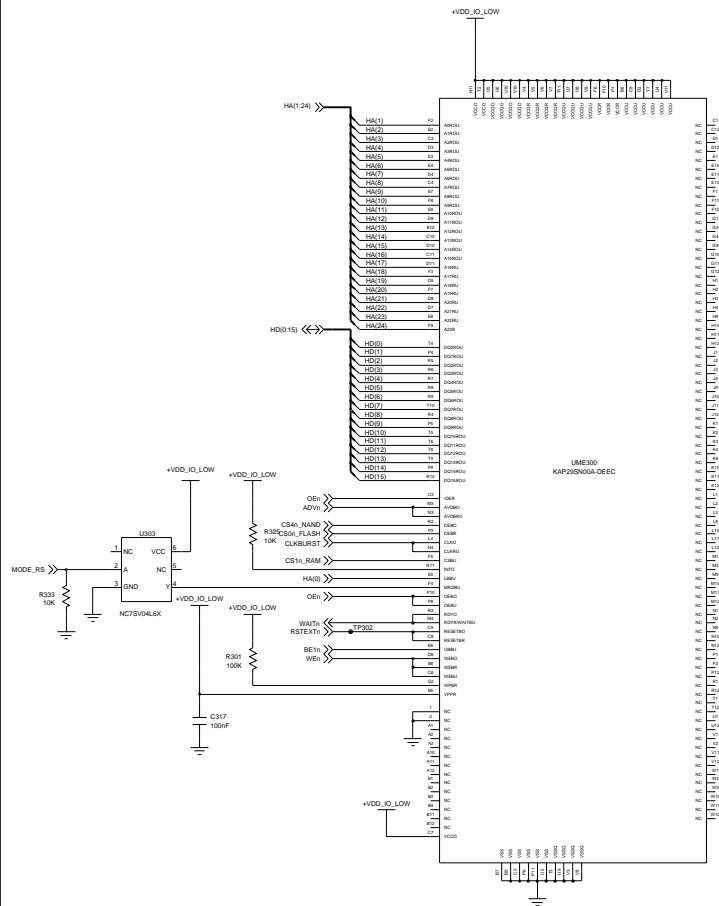
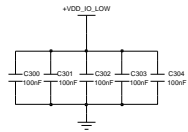


	VC1	VC2
Tx(GSM850/900)	H	L
Tx(DCS1800/1900)	L	H
Rx(850/900/1800/1900)	L	L

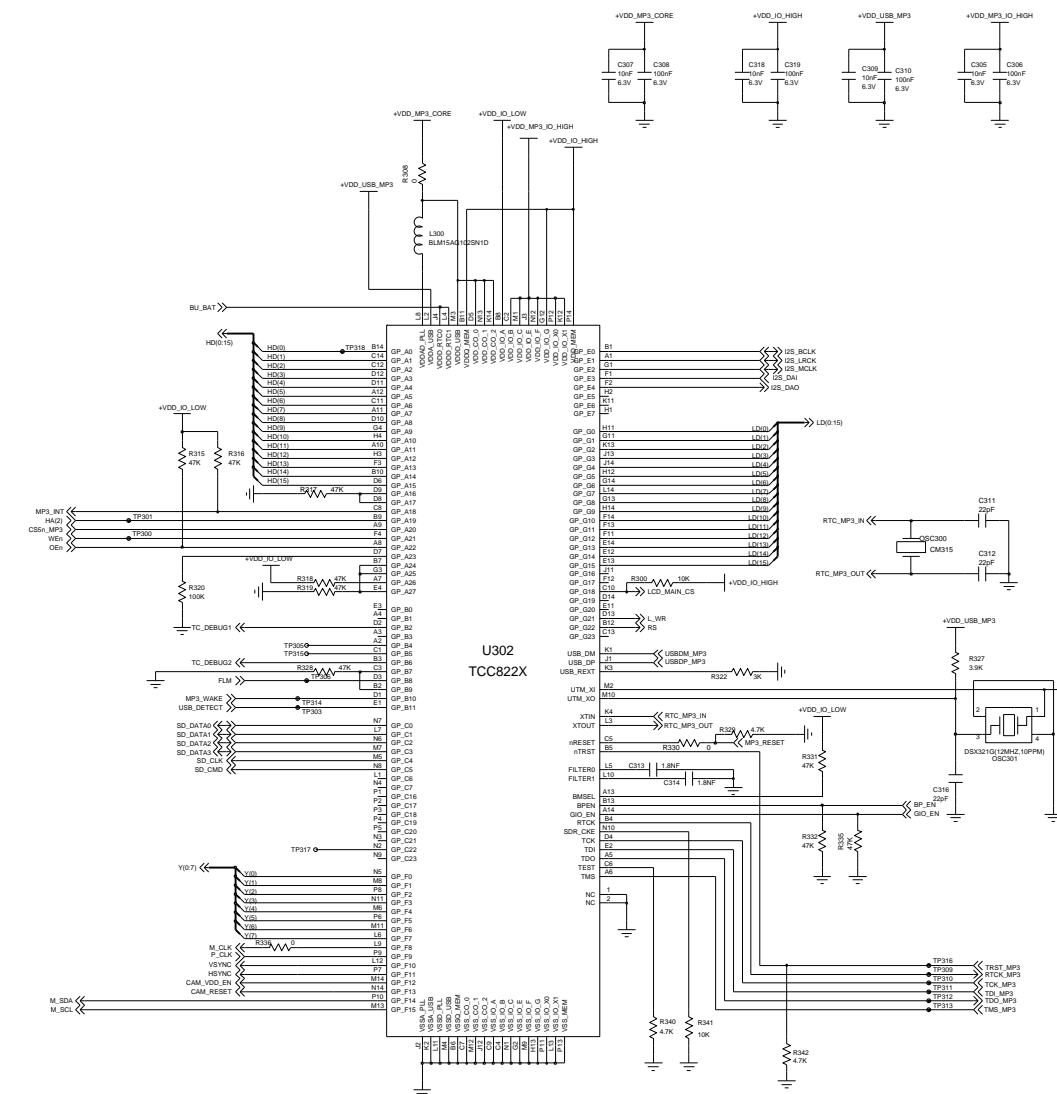




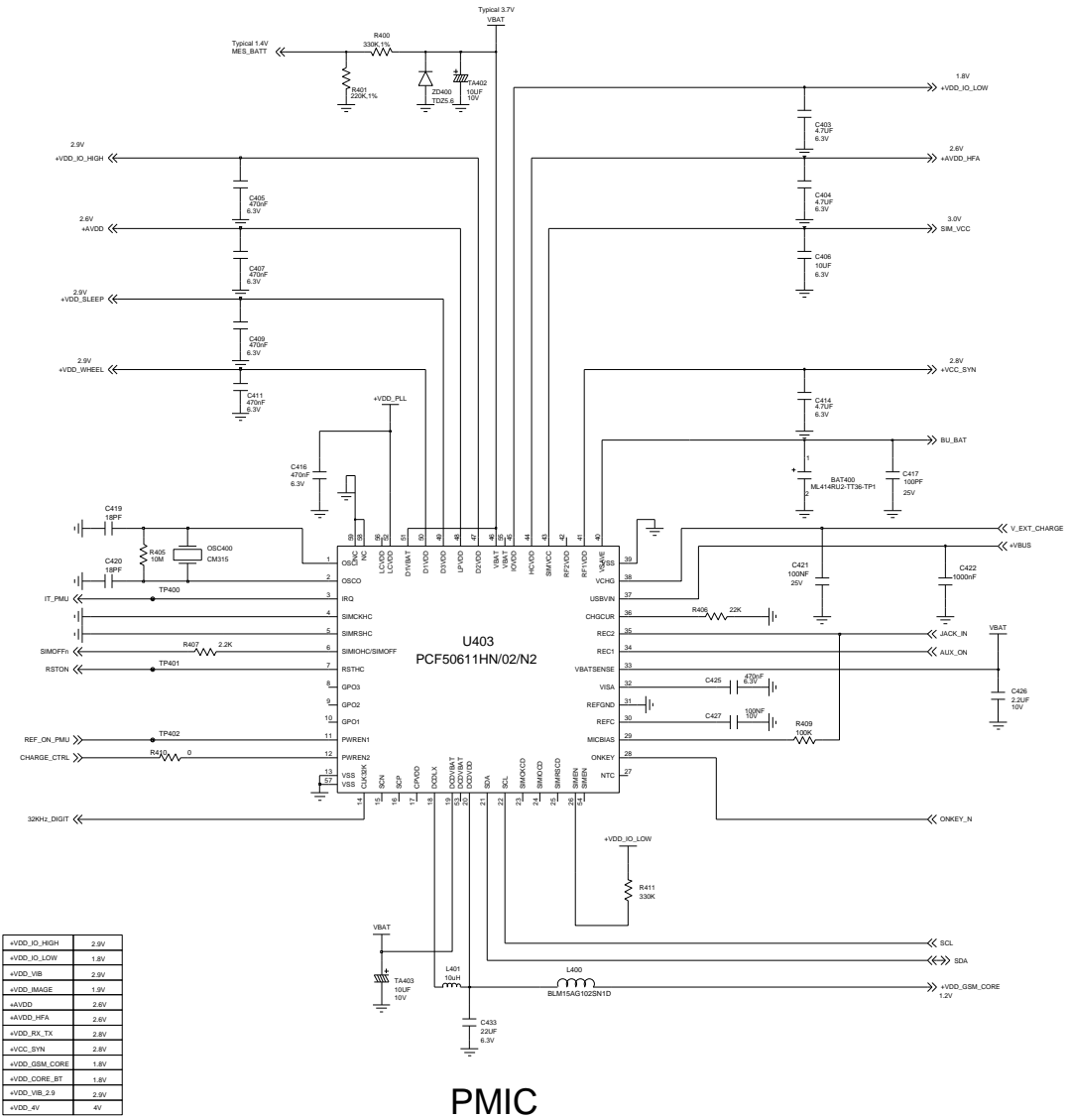
BASEBAND



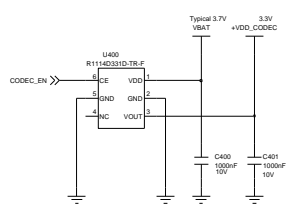
MEMORY
(256M NOR x 512 NAND x 256M UTRAM)



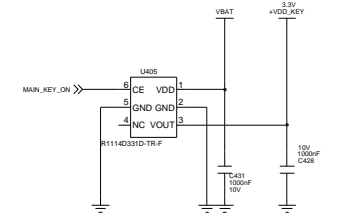
MULTI MEDIA CHIP



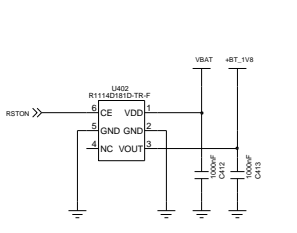
PMIC



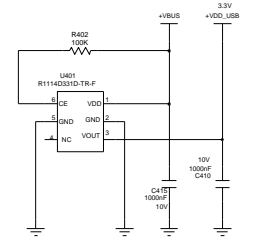
CODEC



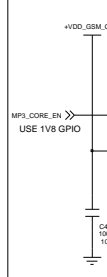
KEY



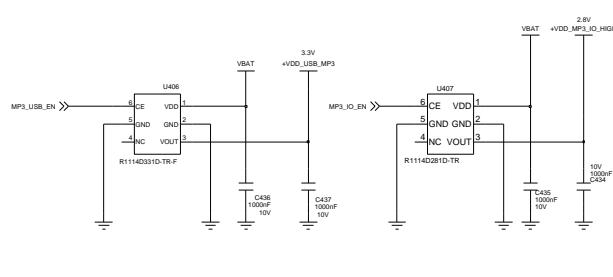
BLUETOOTH



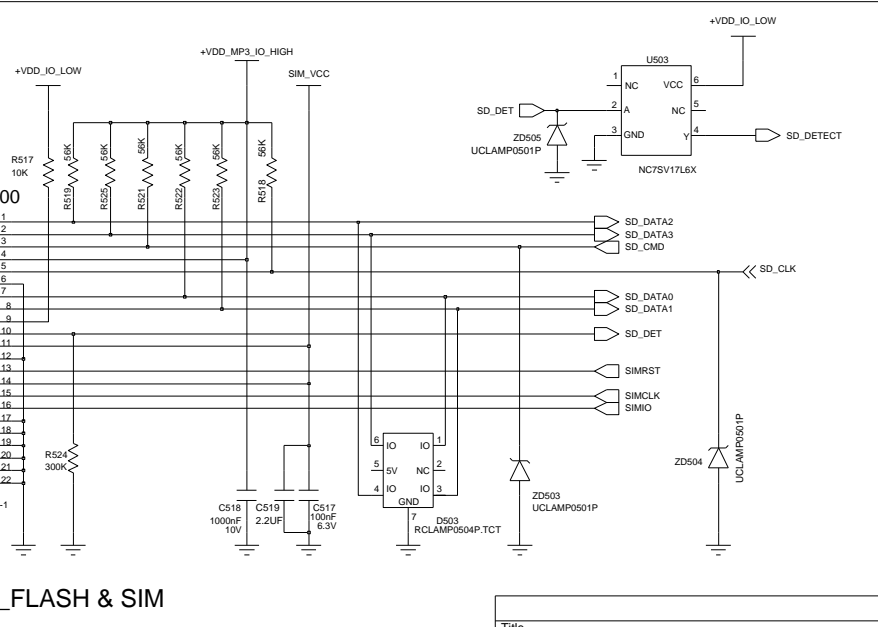
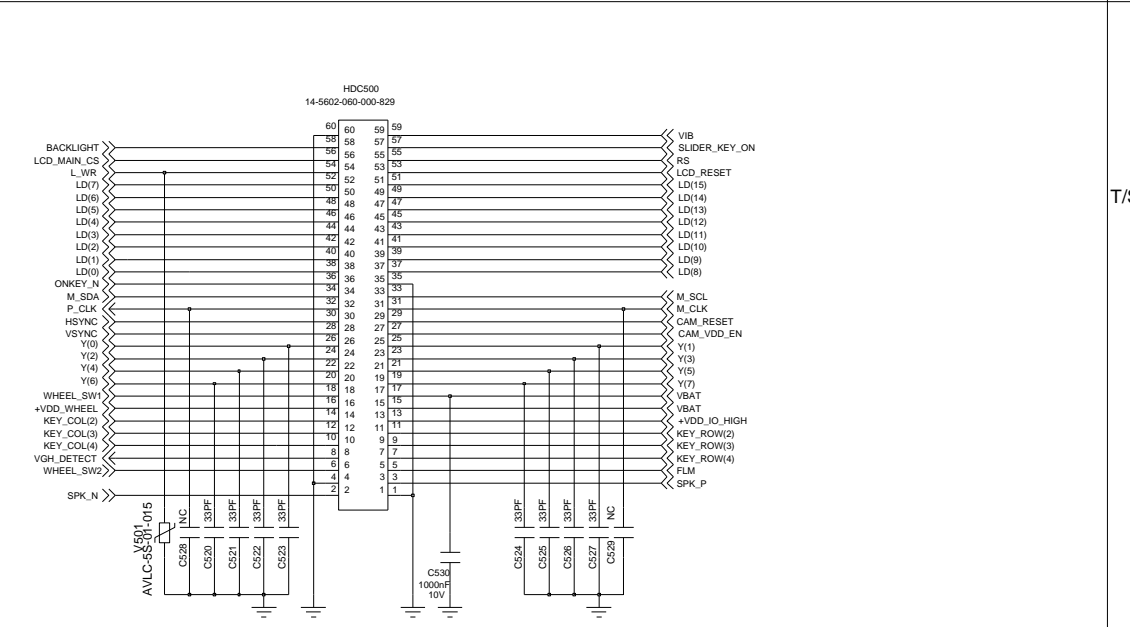
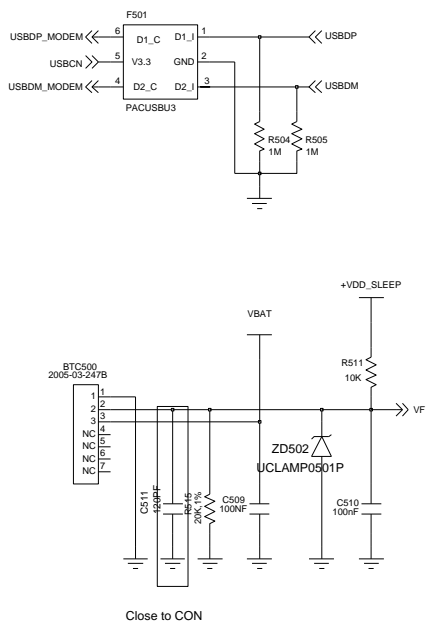
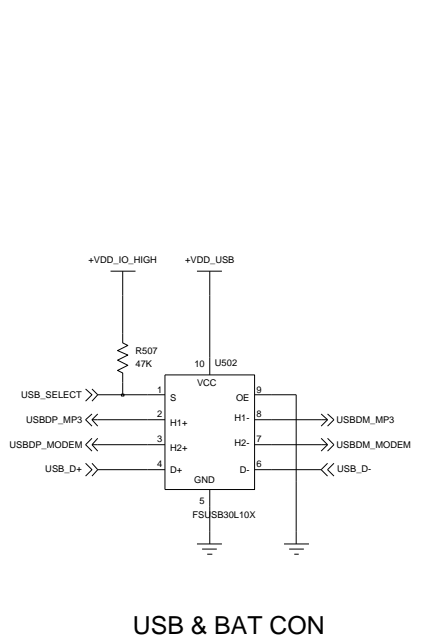
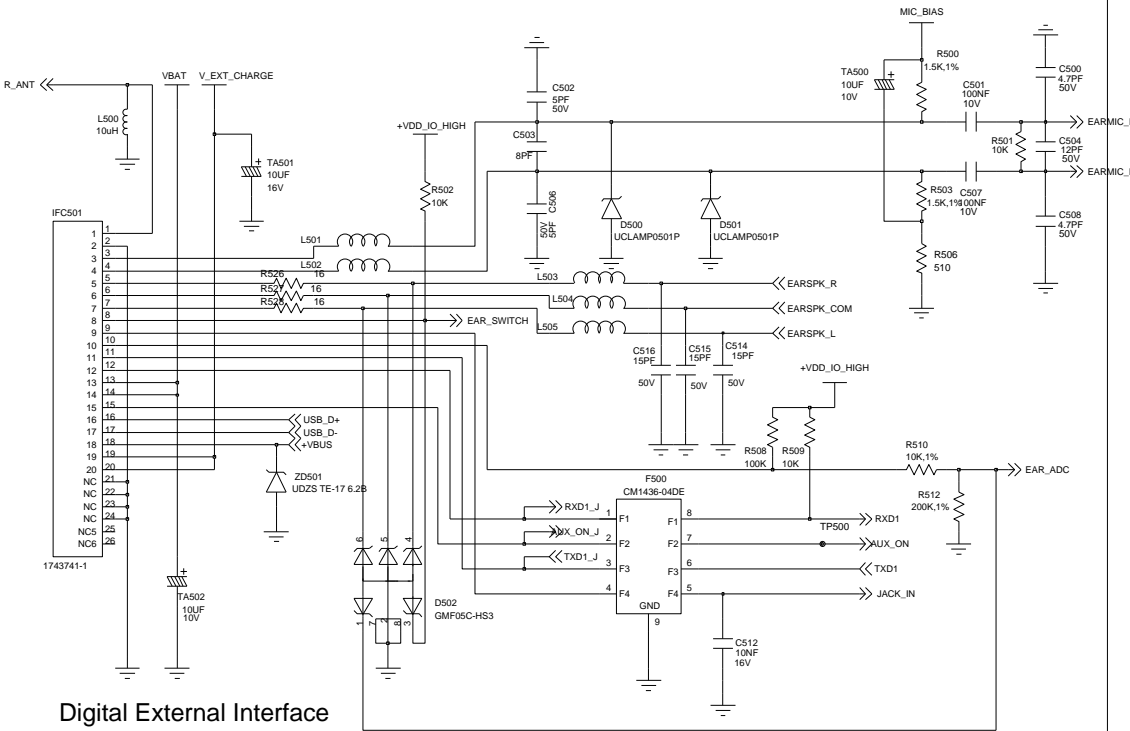
USB



TELECHIPS

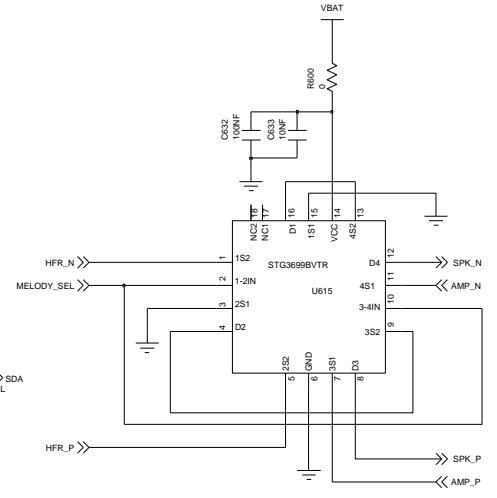
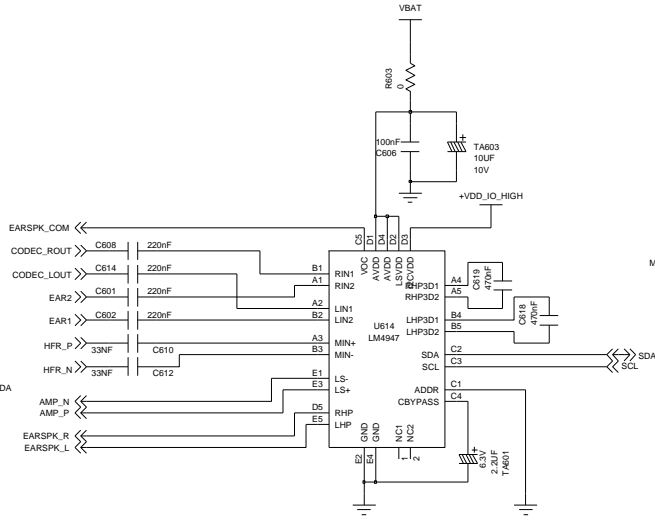
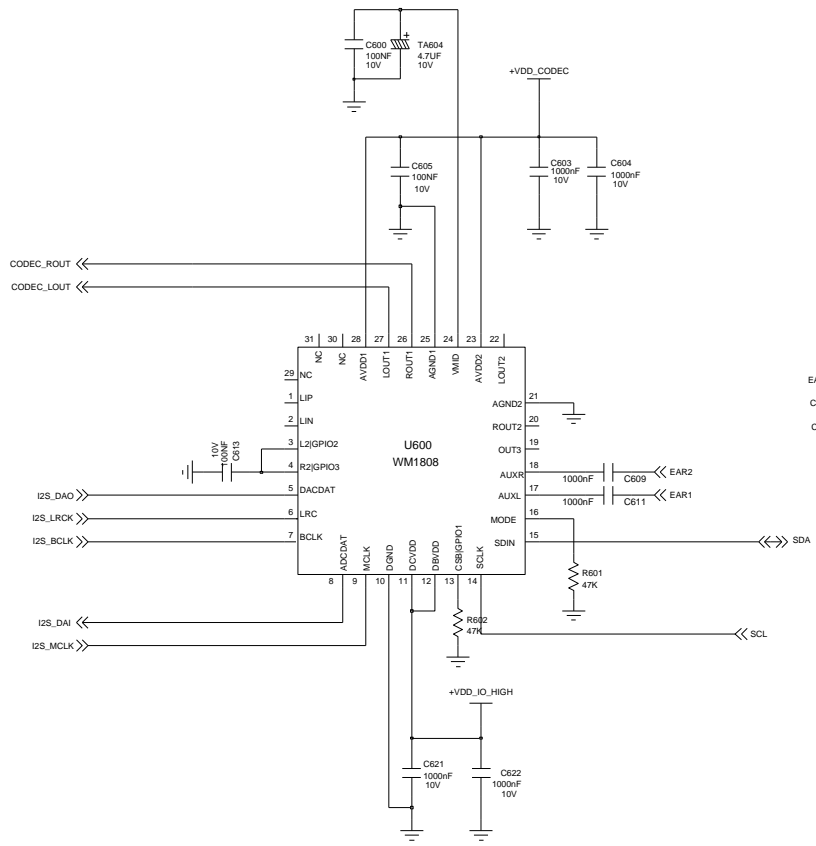


Title		
POWER		
Equipment Number		REV0.5
SGH-CROSS		
Date:	Sheet	4 of 6

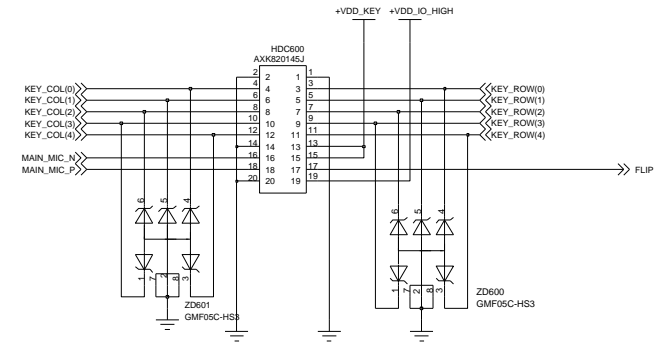
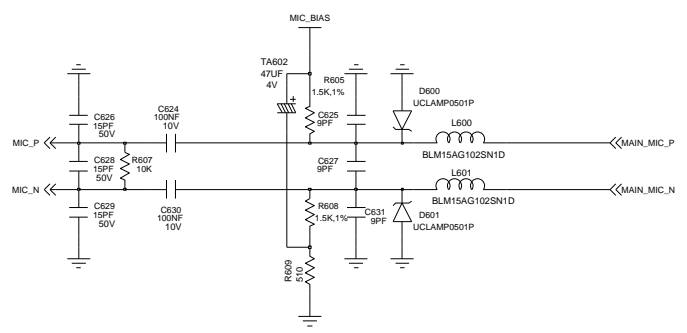


T_FLASH & SIM

Title		
CONNECTOR & USB		
Size	Document Number	REV0.5
A3	SGH-CROSS	
Date:	Sheet 5 of 6	



	H	L
MELODY_SEL	MELODY	VOICE



MAIN KEY MAP

