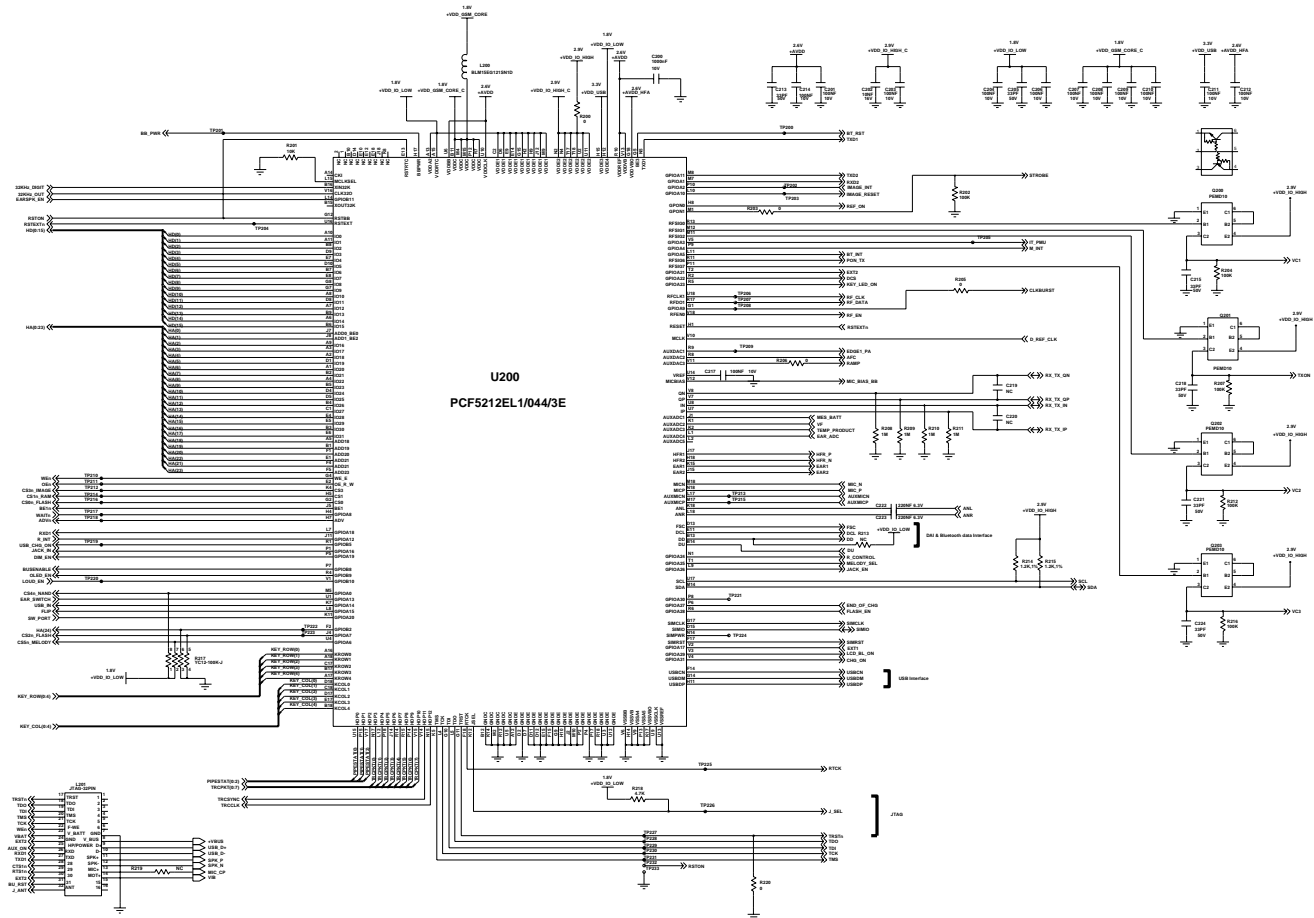
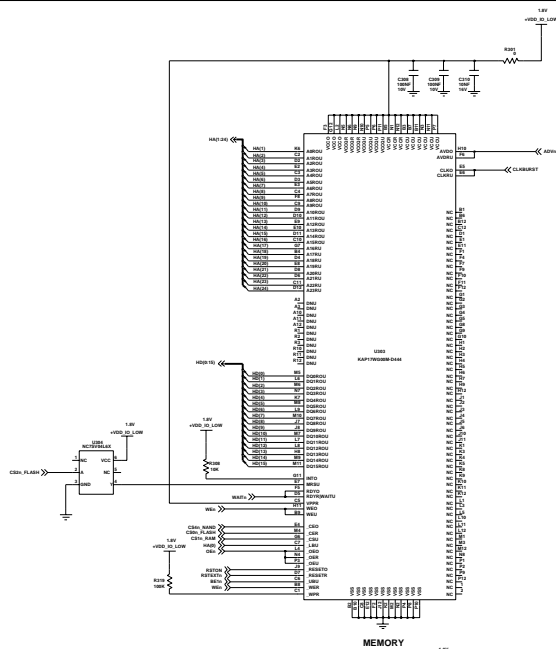


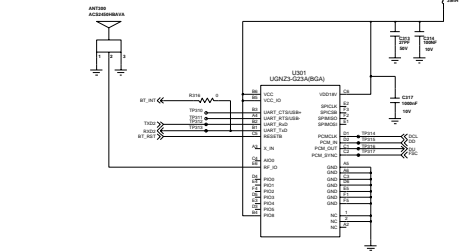
	V01	V02	V03
TUPC0100	H	L	L
TUPC0100V02	L	H	L
TUPC0100V03	L	L	L
TUPC0100V04	L	L	L
TUPC0100V05	L	L	H



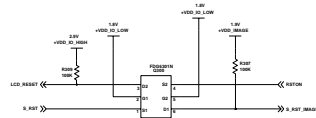
J-TAG 32 PINS



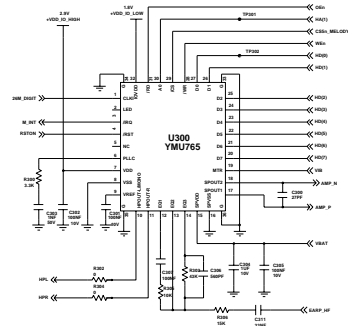
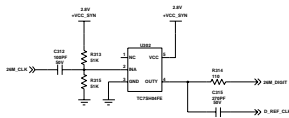
MEMORY



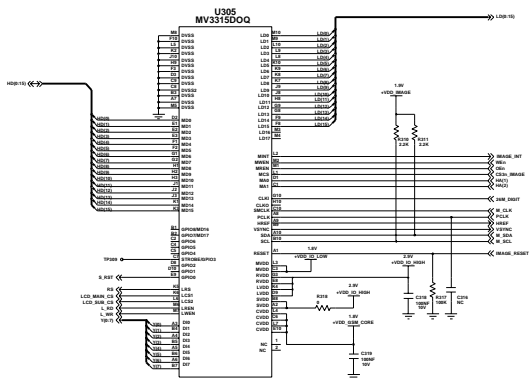
BLUE_TOOTH



LEVEL_SHIFT

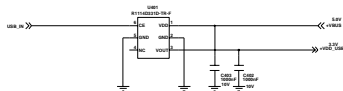


MELODY_IC

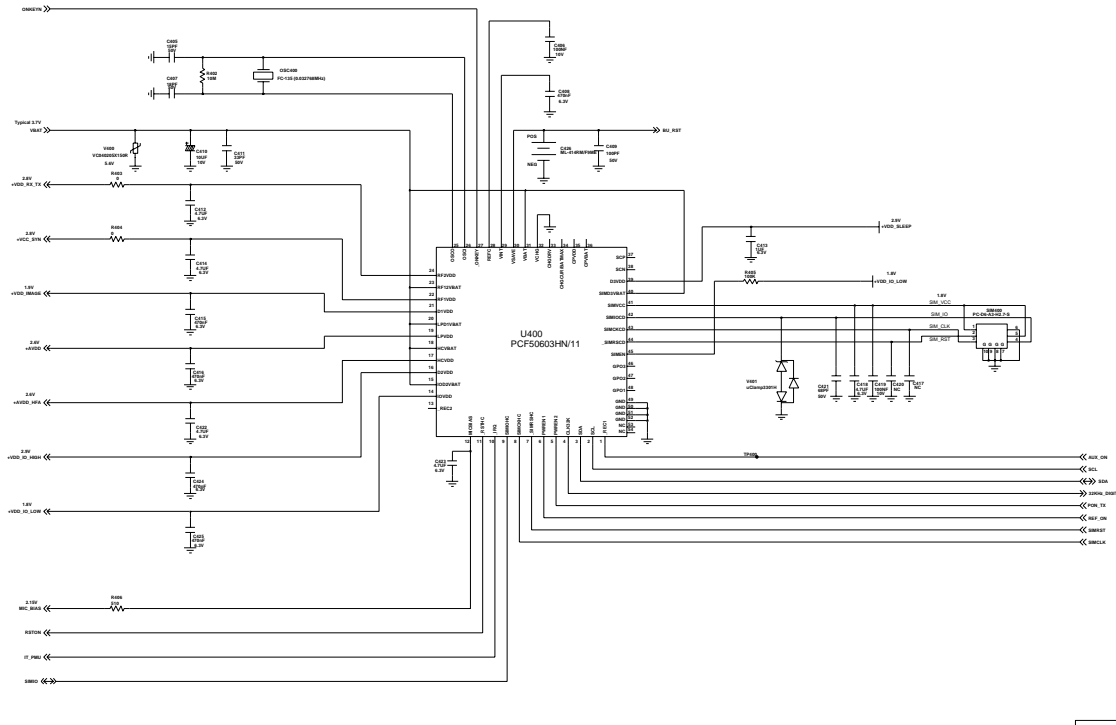
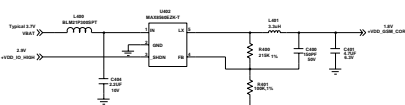


IMAGE_DSP

LDO

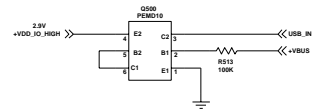
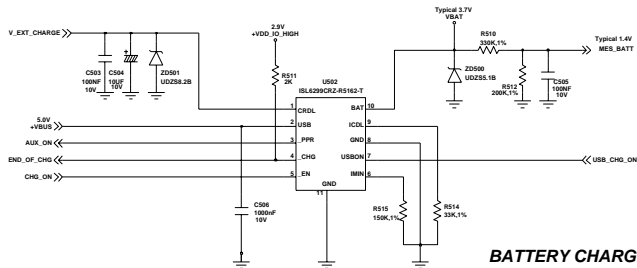
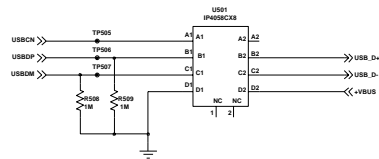
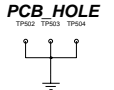
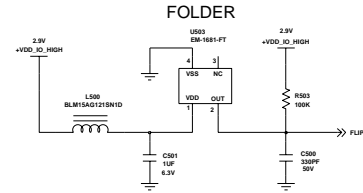
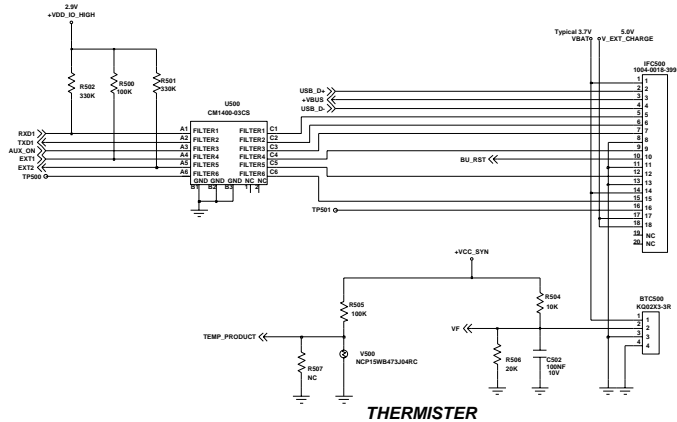


DC/DC Down Converter(1.8Volt)



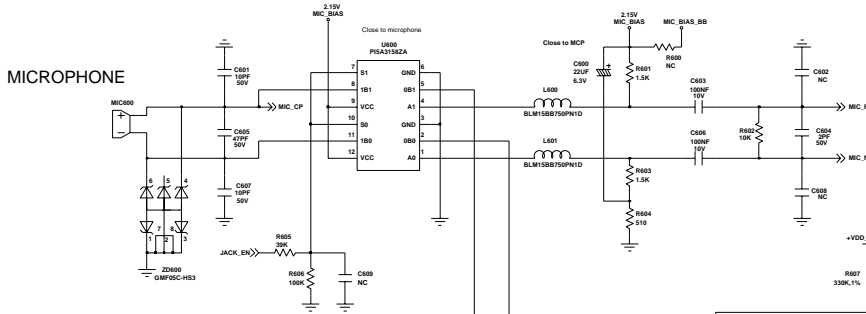
VDD_3.3	3.3V
VDD_1.8	1.8V
VDD_0.9	0.9V
VDD_0.6	0.6V
VDD_0.5	0.5V
VDD_0.3	0.3V
VDD_0.2	0.2V
VDD_0.1	0.1V
VDD_0.05	0.05V
VDD_0.02	0.02V
VDD_0.01	0.01V
VDD_0.005	0.005V
VDD_0.002	0.002V
VDD_0.001	0.001V
VDD_0.0005	0.0005V
VDD_0.0002	0.0002V
VDD_0.0001	0.0001V
VDD_0.00005	0.00005V
VDD_0.00002	0.00002V
VDD_0.00001	0.00001V

Digital External Interface

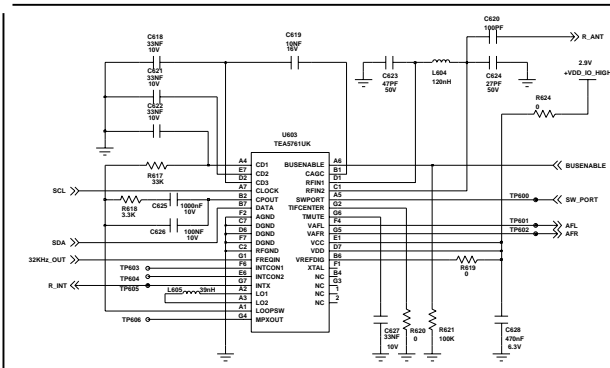
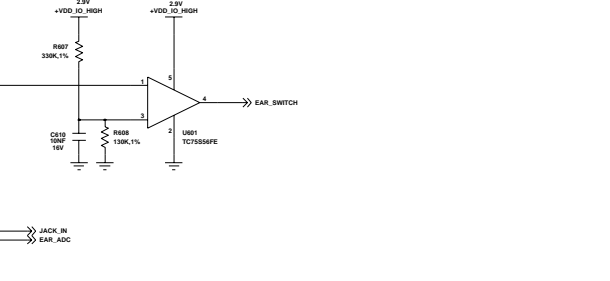
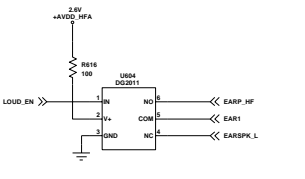
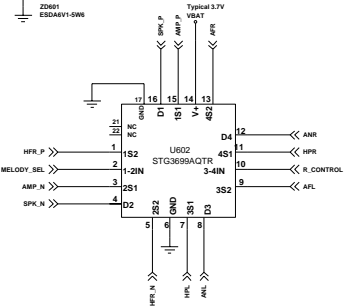
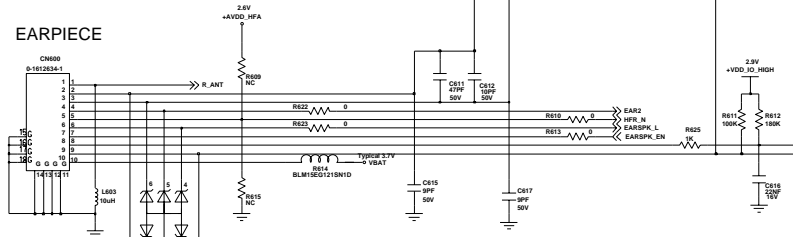


Title		
IF Connector & Charging Schematic		
Size	Document Number	Rev 2.0
A3	SAMSUNG/SH-E730B.B/IF & CHARGING	
Date:	2005.05.04	Sheet 5 of 7

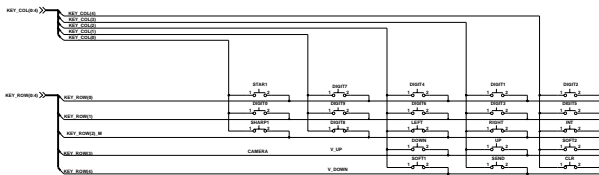
MICROPHONE



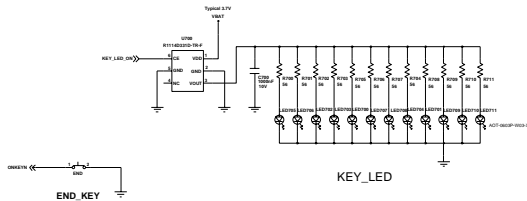
EARPIECE



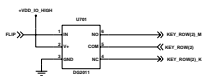
FM RADIO



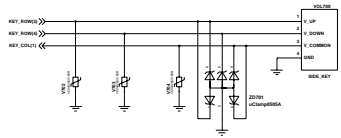
KEY_MAP



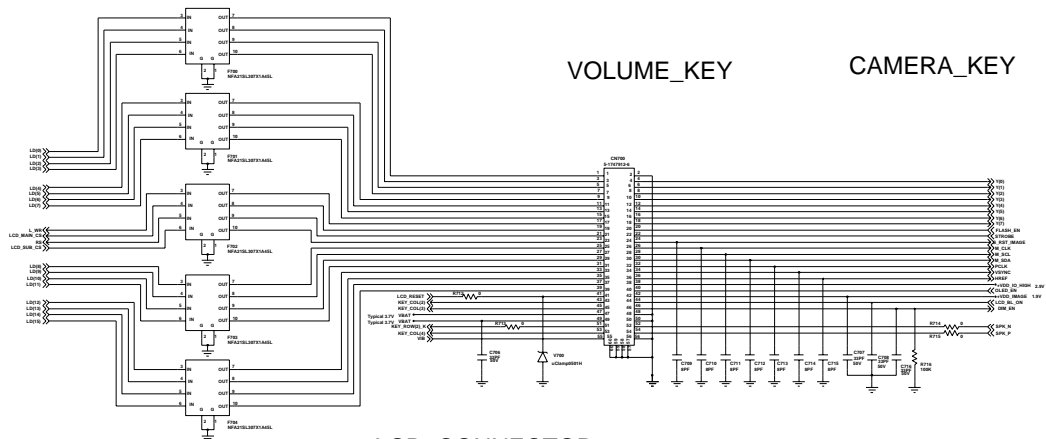
KEY_LED



VOLUME_KEY



CAMERA_KEY



LCD_CONNECTOR