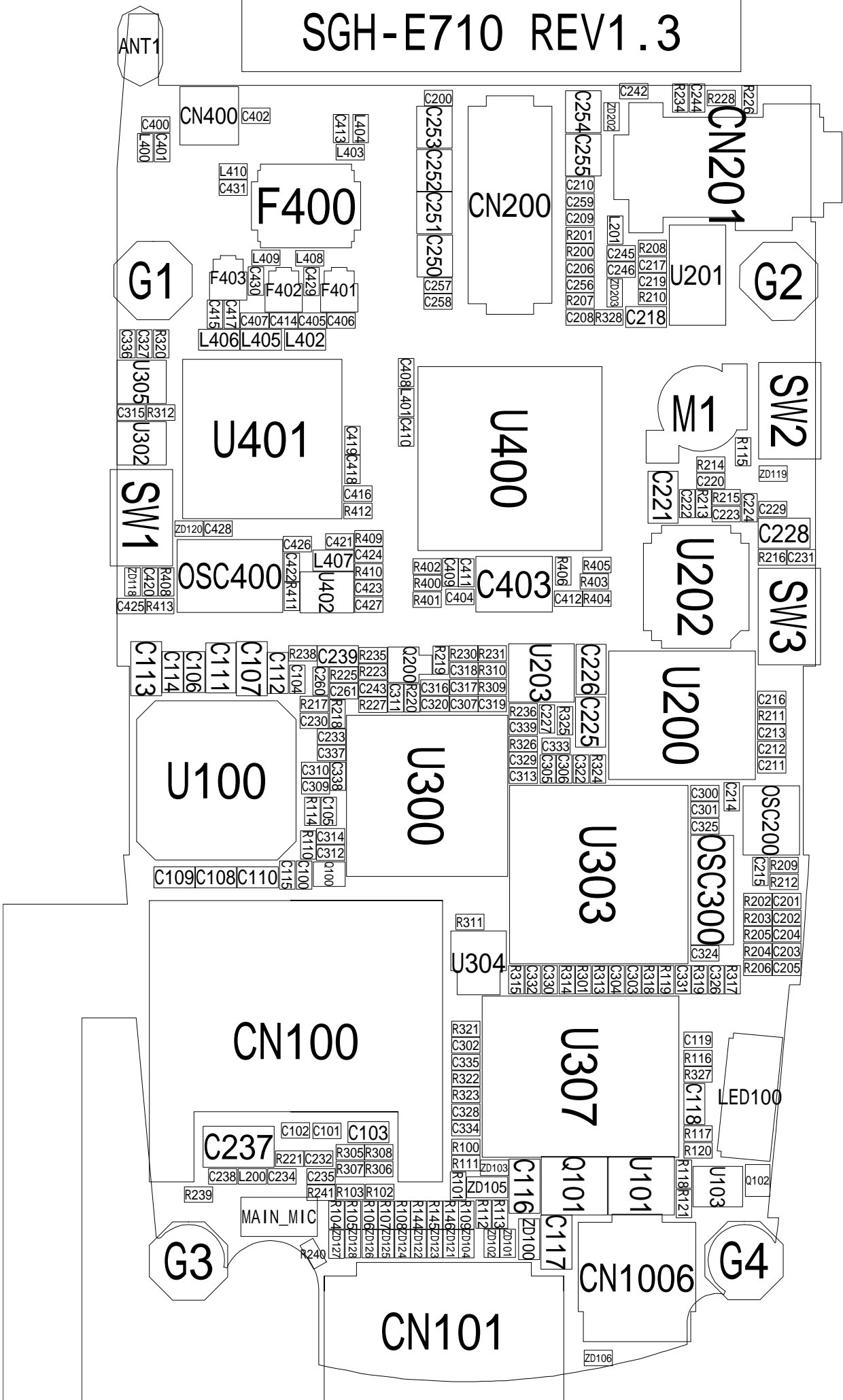
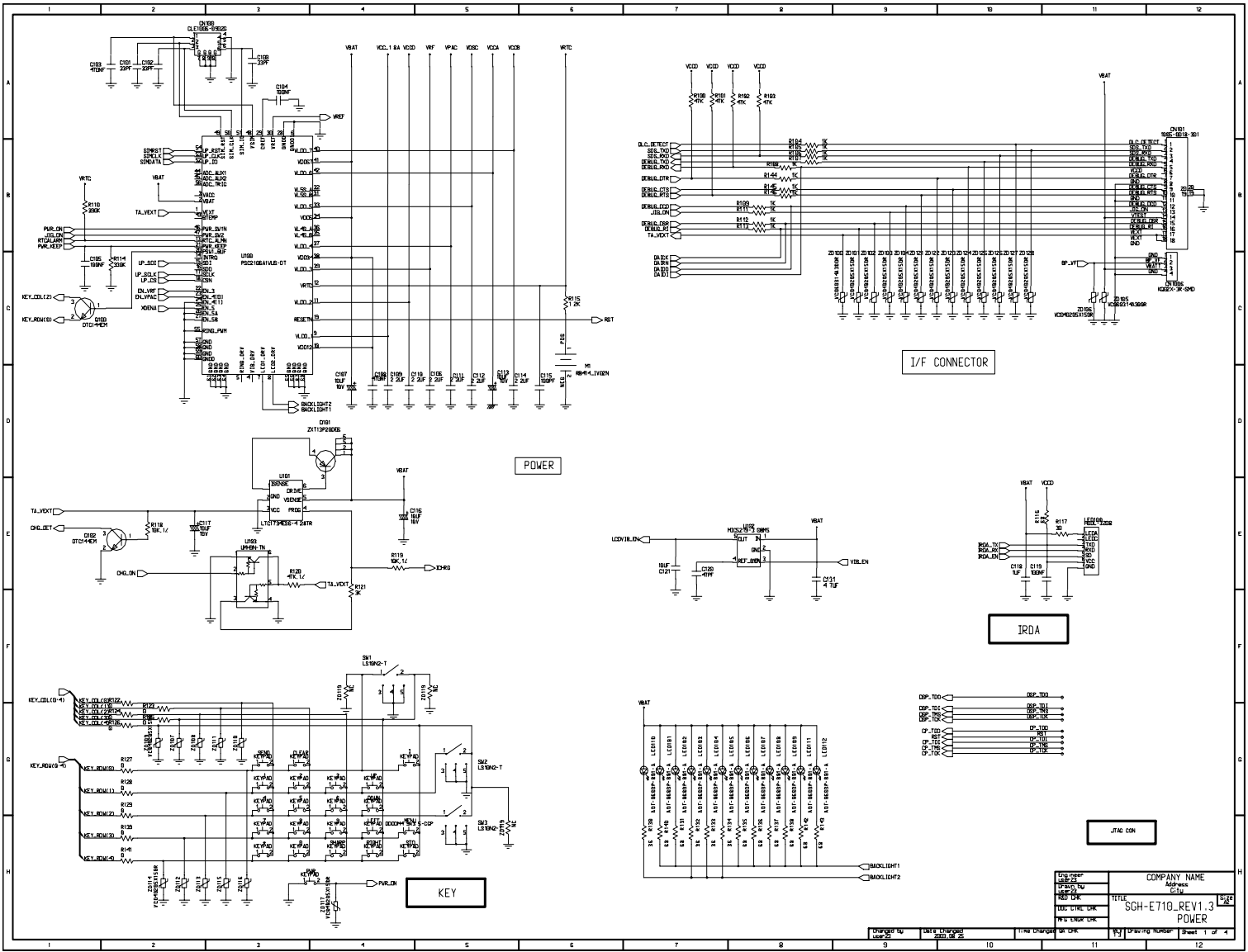


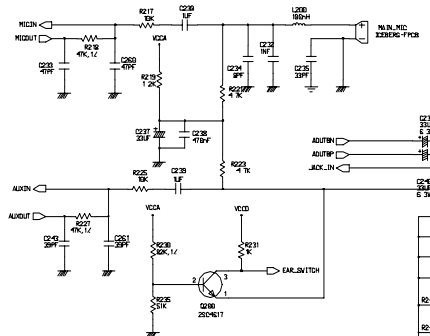
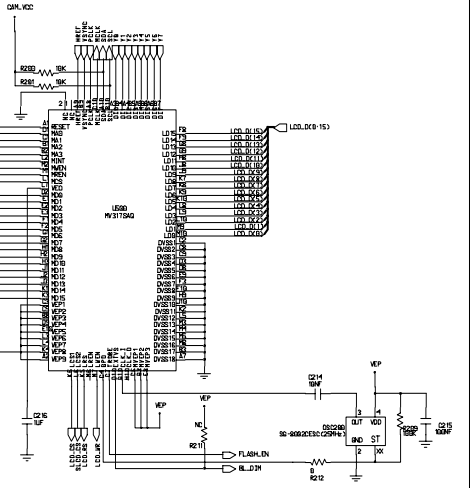
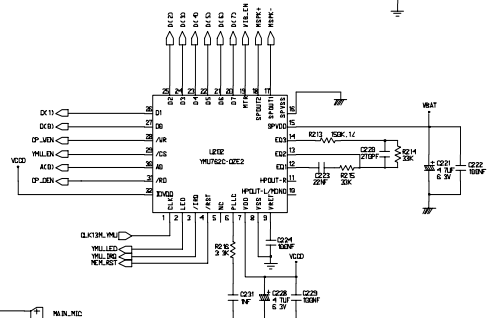
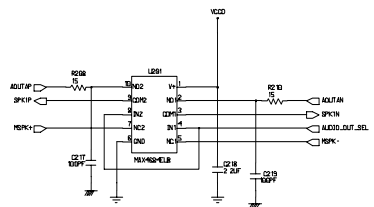
SGH-E710 REV1.3



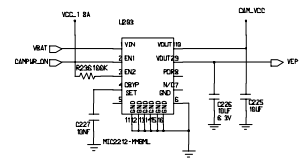
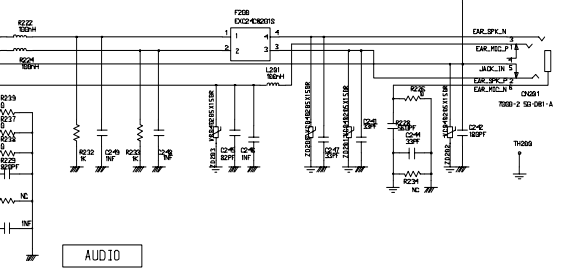


COMPANY NAME	SGH-E710
MODEL	SGH-E710
DATE CHG	2010.05.11
REV. CHG	3
FILE	SGH-E710_REV1.3
PCB LAYER	POWER
DRWG. NO.	SGH-E710_01
DATE	2010.05.11
CHKD.	SGH
DRAWN	SGH
APP. CHG.	SGH

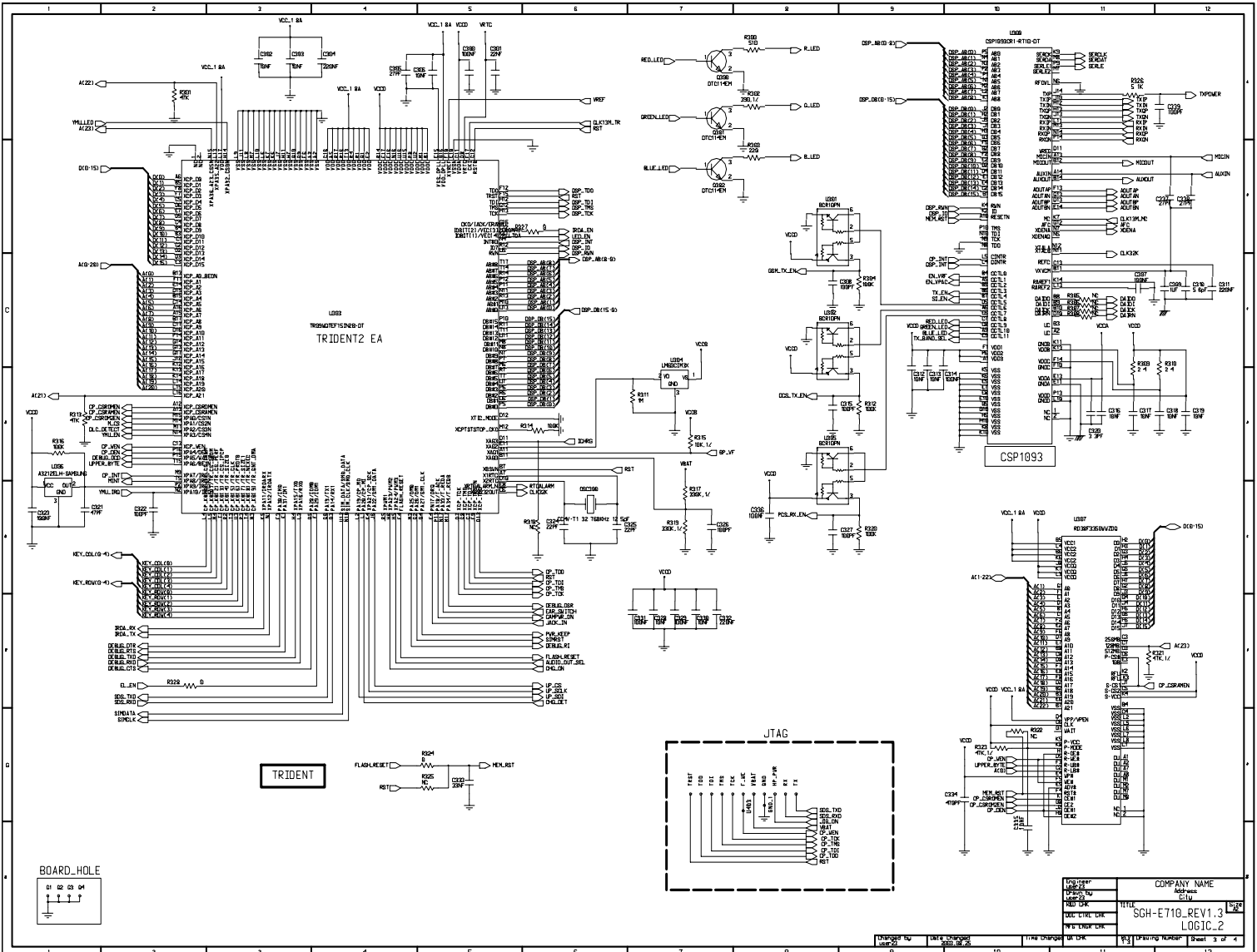
EMI FILTER



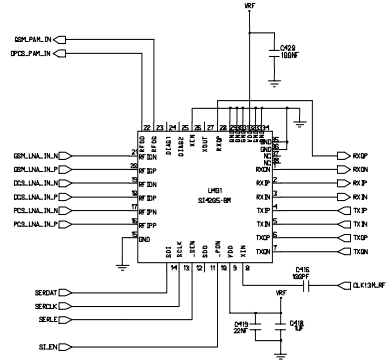
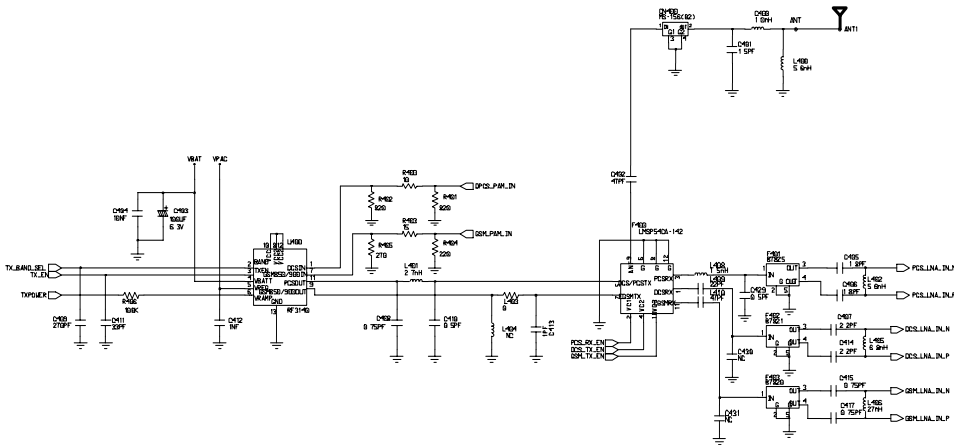
AUDIO



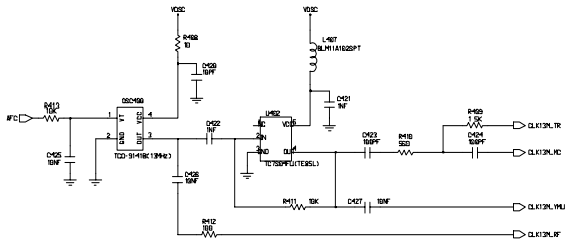
COMPANY NAME	Address
TEL	FAX
E-MAIL	WWW
SCH-E710_REV1.3	
AUDIO_CAMERA	



DESIGNED BY	COMPANY NAME
DRAWN BY	LOGIC
CHECKED BY	DATE
TITLE	SGH-E710_REV1.3
DATE	1997.04.08
BY	LOGIC.2
NO. CHECKS	



TRANSMITTER & RECEIVER



X-TAL(13MHz)

DESIGNER	COMPANY NAME
DATE	ADDRESS
REV. NO.	CITY
REV. DATE	TITLE
DESIGNED BY	SGH-E710_REV1.3
CHECKED BY	RF
DATE	