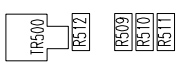
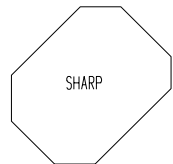
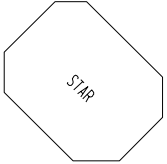
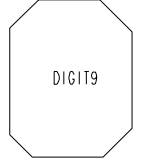
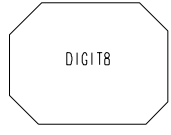
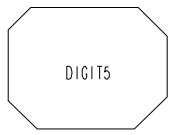
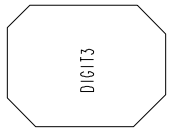
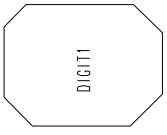
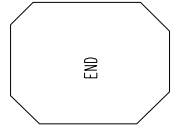
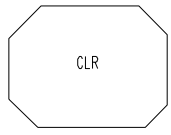
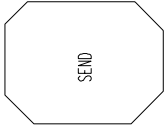
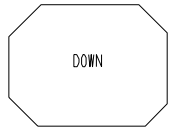
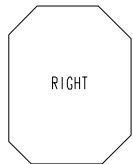
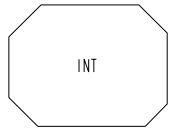
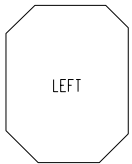
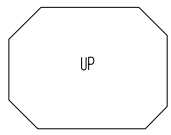
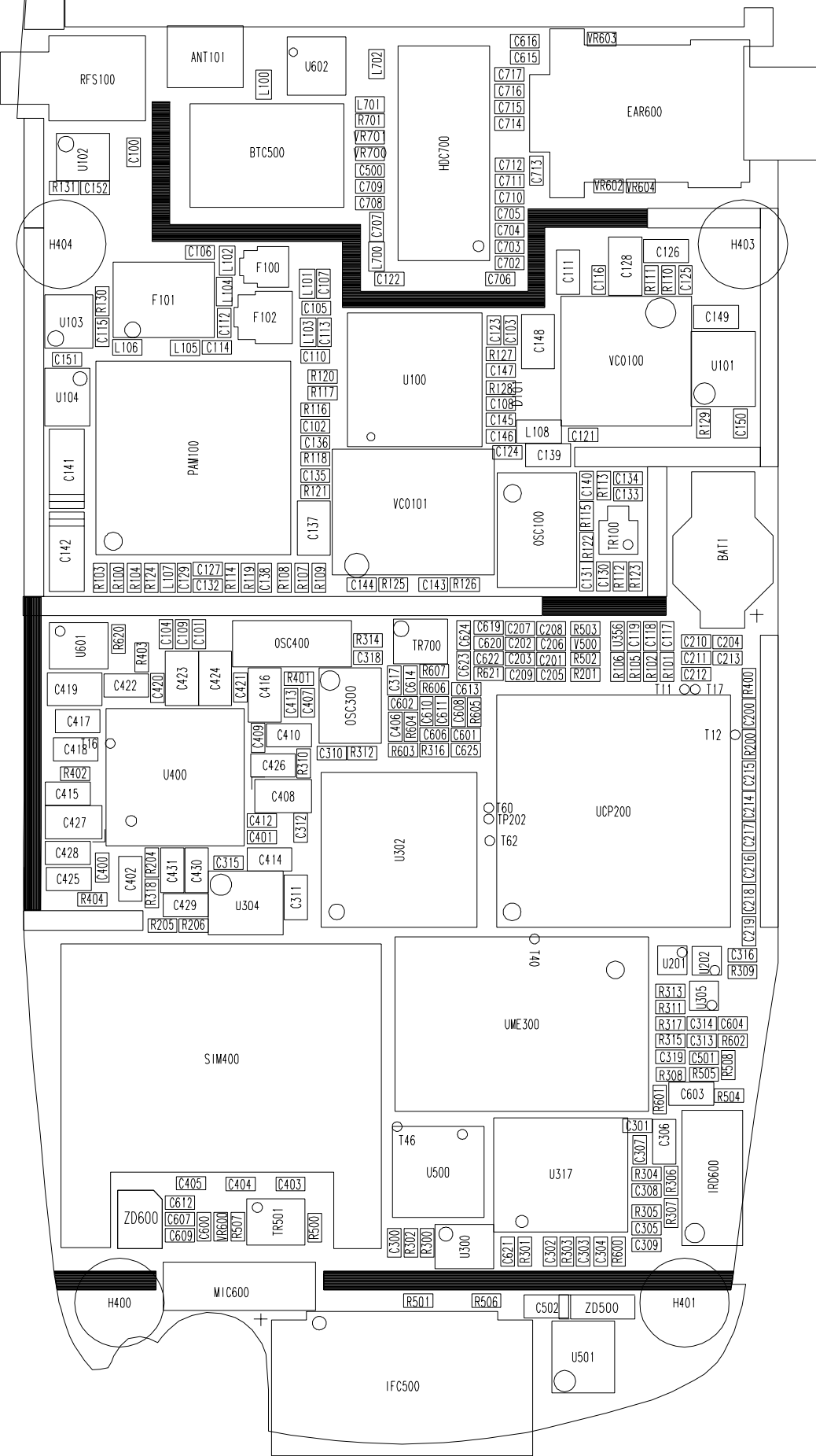
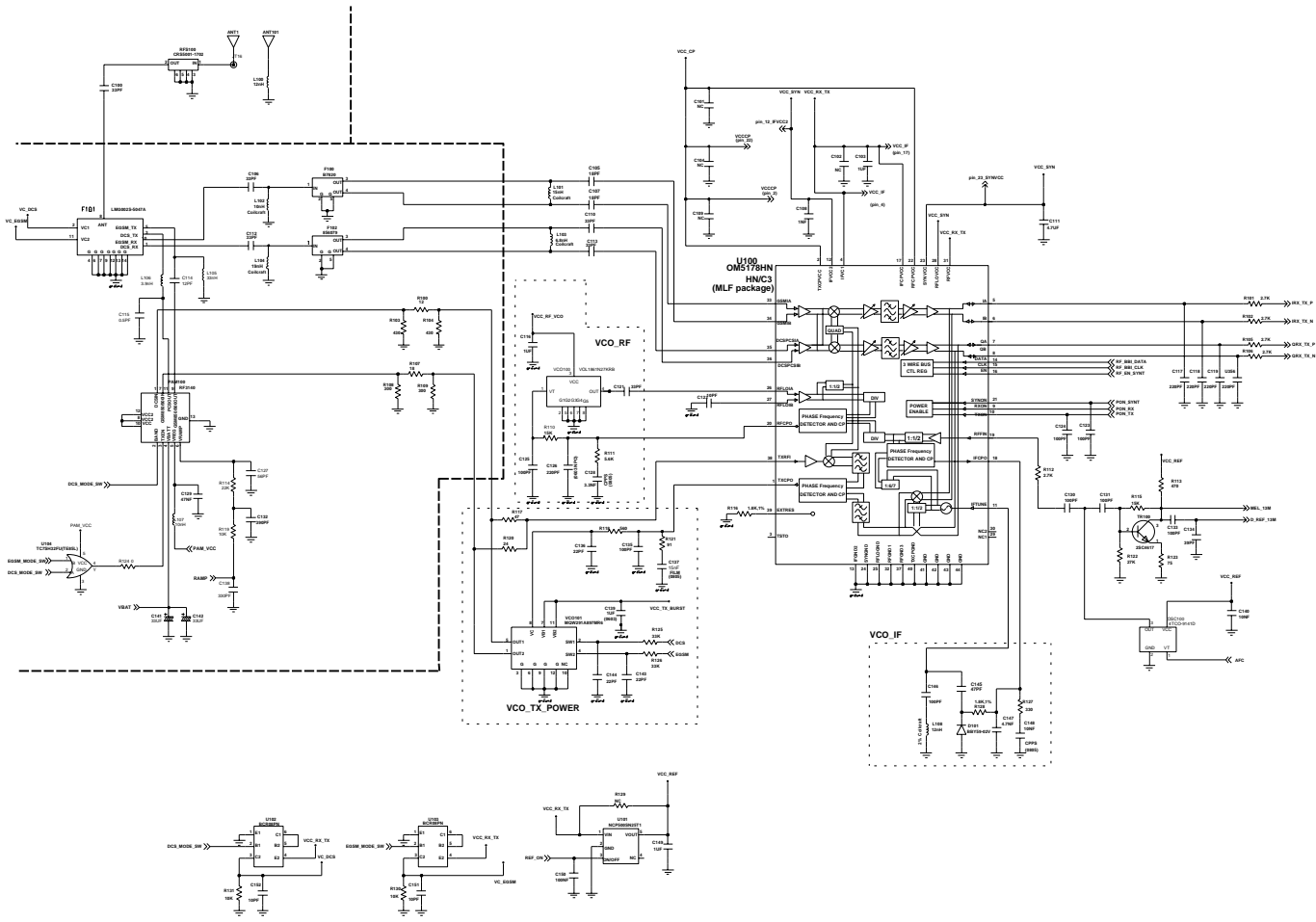
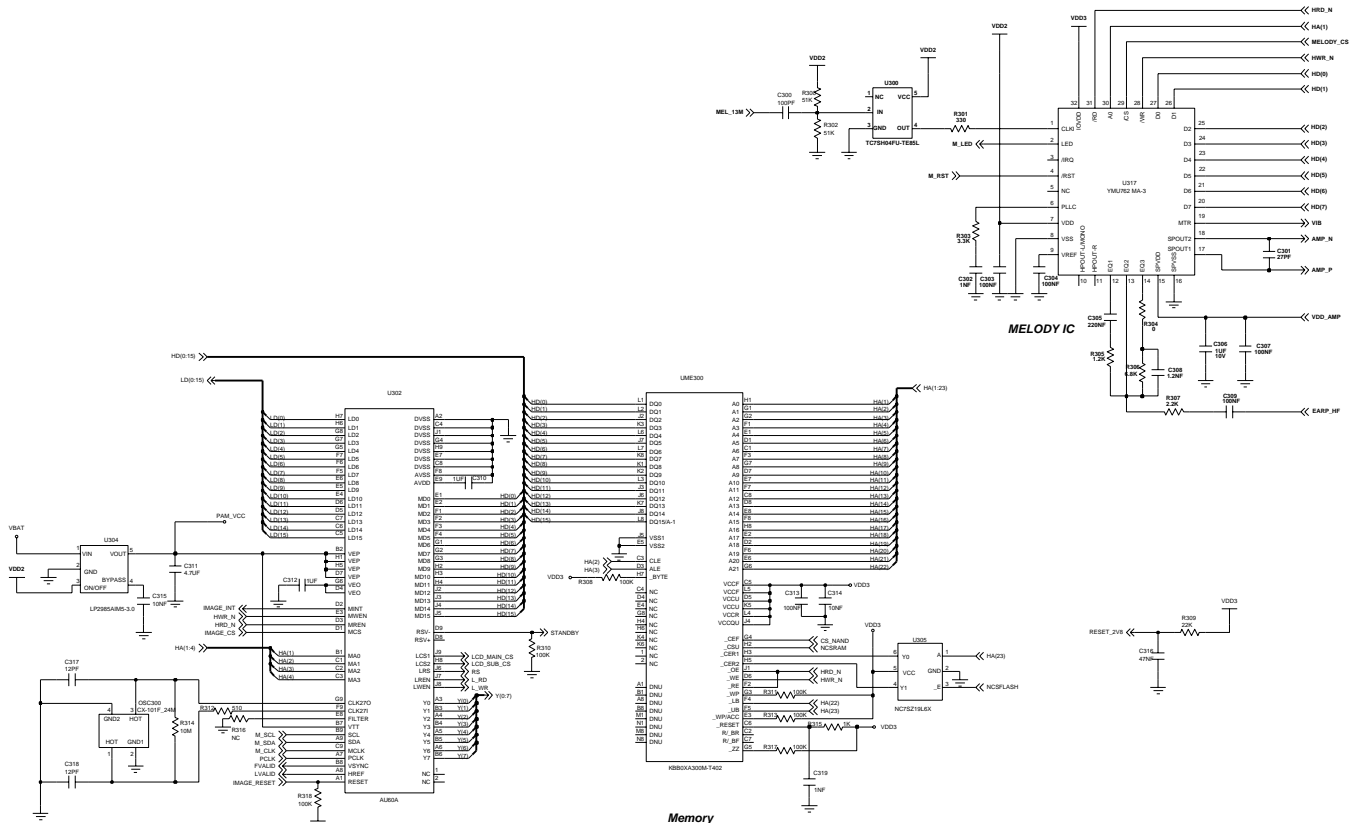


R700

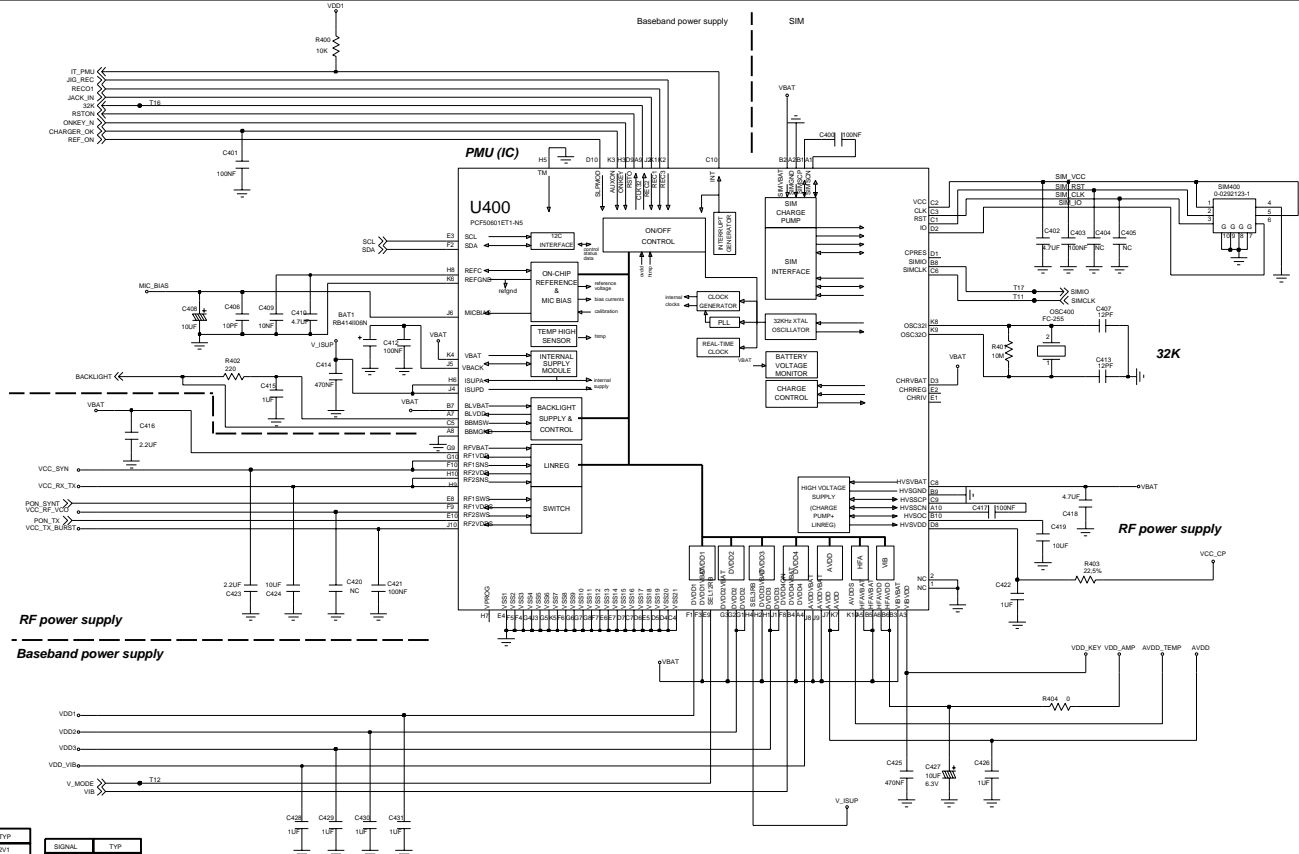






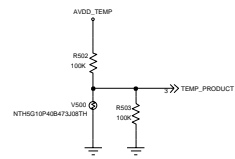
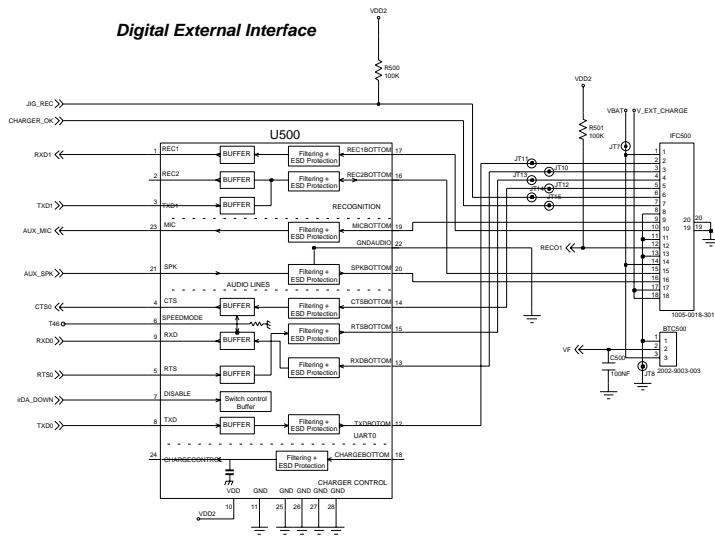


Memory Schematic		
SAMSUNG/SH-E700/B/Memory & MELODY IC		
Rev: A3	Issued on: 2003	Rev: 3 of 6
Date: July 21, 2003	Sheet 3 of 7	



SIGNAL	TYPE	SIGNAL	TYPE
MC_BIAS	ZVT	VDD3	ZVHS
V_ILSUP	ZVT	VDD_VB	ZVHS
BL_VDD	ZVHS	AVDD	ZVHS
VCC_BYN	ZVT	JVDD_TEMP	ZVHS
VCC_RX_TX	ZVT	VDD_AMP	ZVHS
VCC_RF_VDD	ZVT	VCC_KEY	ZVHS
VCC_RX_SUBST	ZVT	VCC_CP	AV
VDD1	ZVHS	SMVDD	ZV
VDD2	ZVHS		

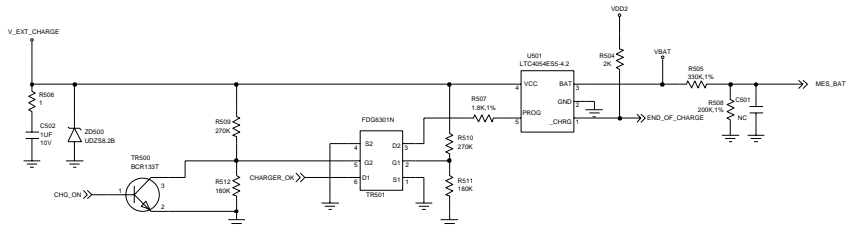
Digital External Interface

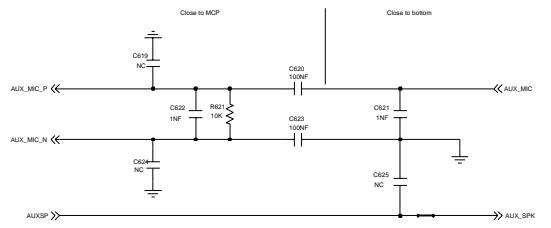
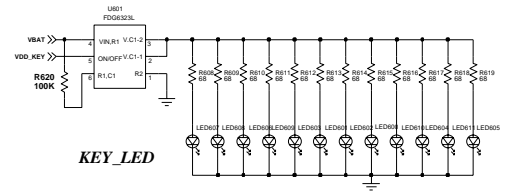
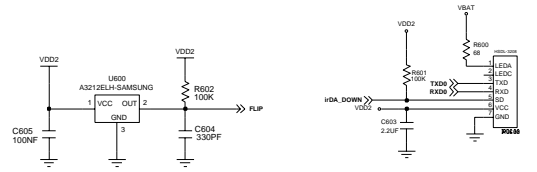
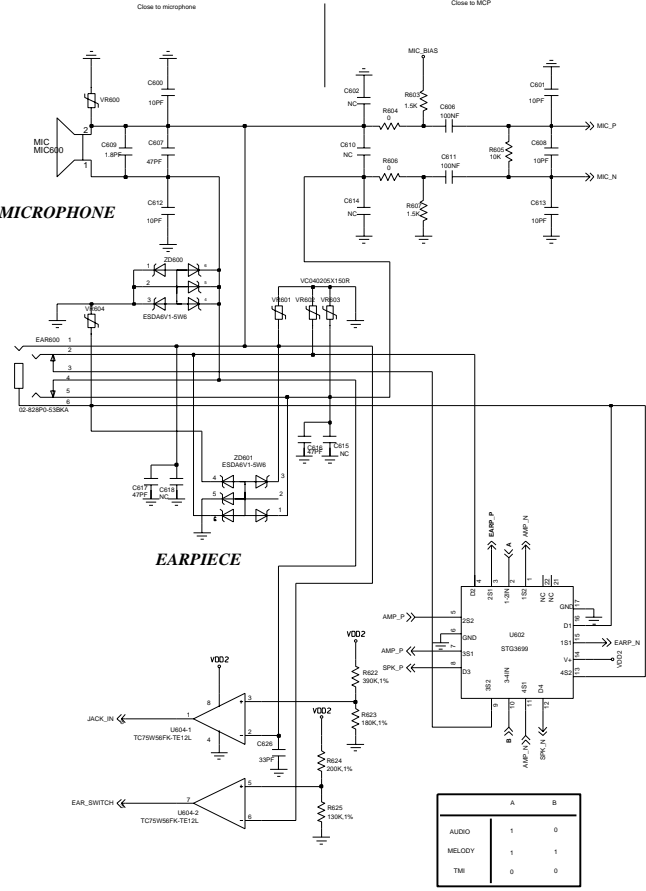


THERMISTOR

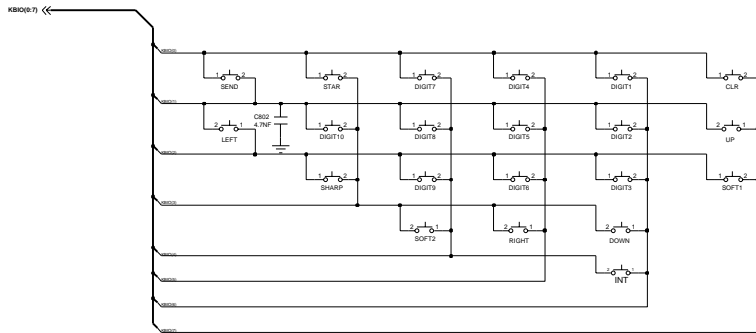
PCB_HOLE

Charge of Battery

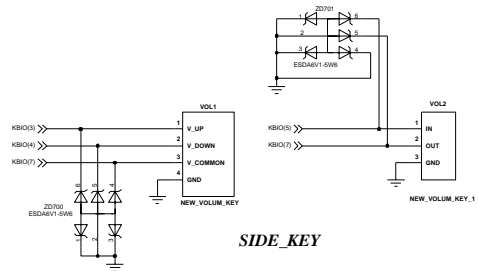




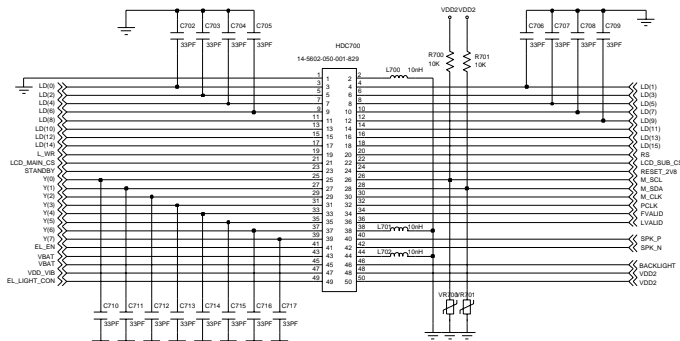
AUDIO_EXTERNAL_INTERFACE



KEY_MAP



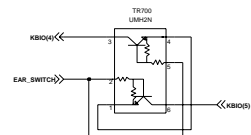
SIDE_KEY



LCD_CONNECTOR



END_KEY



EARPHONE_SWITCH