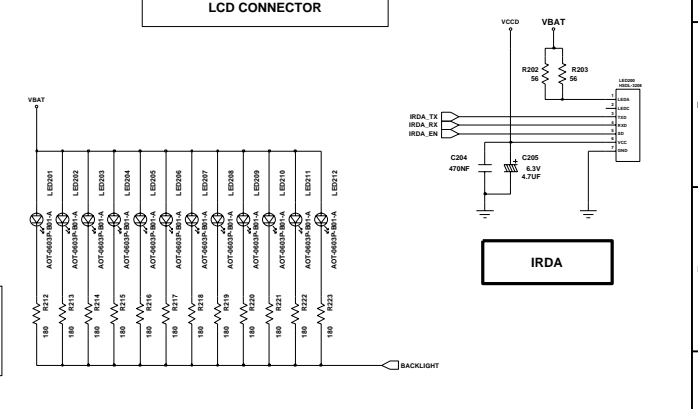
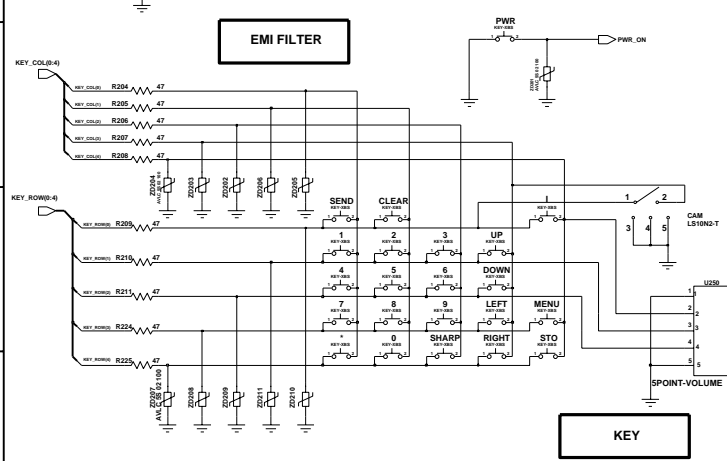
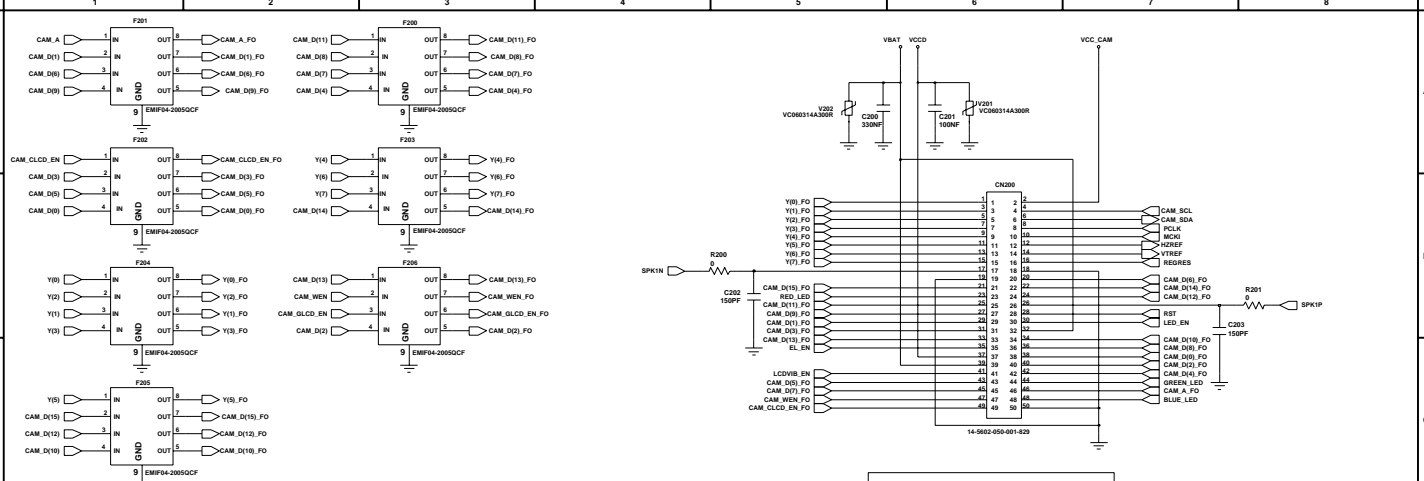
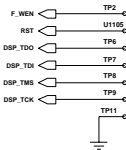
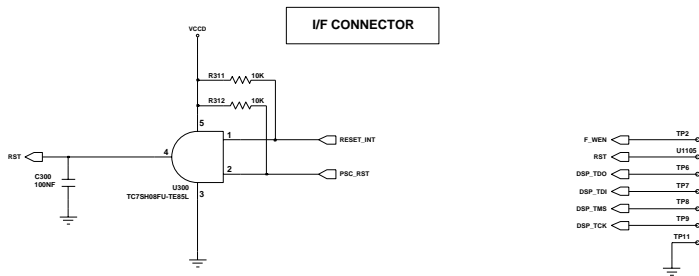
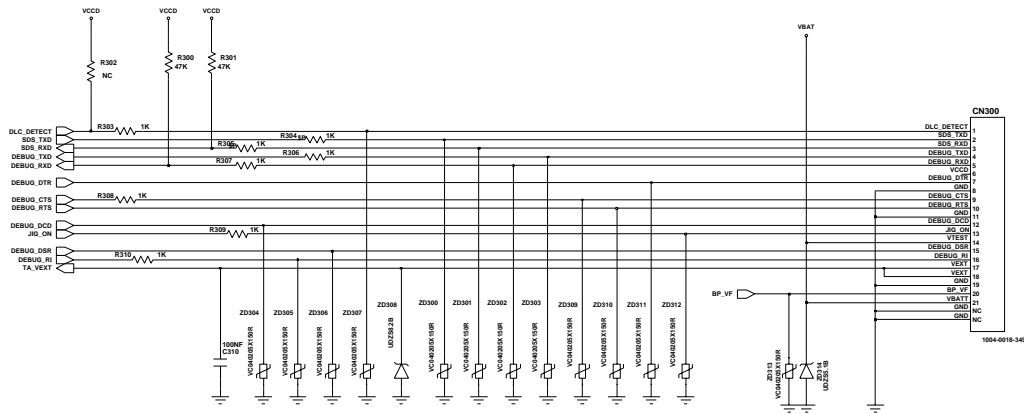


**POWER**

Engineer	SEOYH	COMPANY NAME	Address City	Site AS
Drawn by	SEOYH			
RED CHK		TITLE:	SGH-E600	
DOC CTRL CHK				
MFG ENGR CHK				

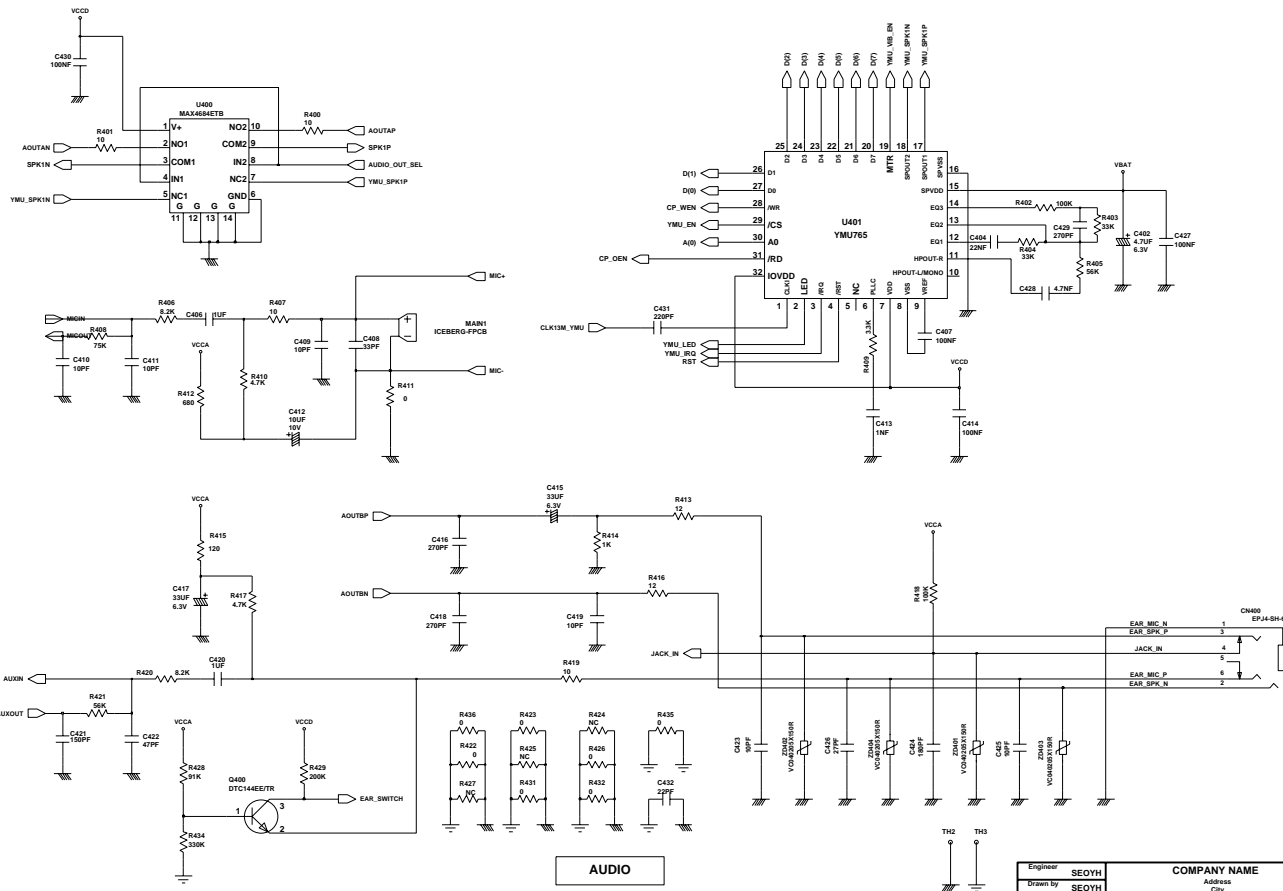


Engineer	SE07H	COMPANY NAME	Address	City
Drawn by	SE07H			
RED CTRL	CHK	TITLE:	SGH-E600	
DSC CTRL	CHK			
MFG ENGR	CHK			



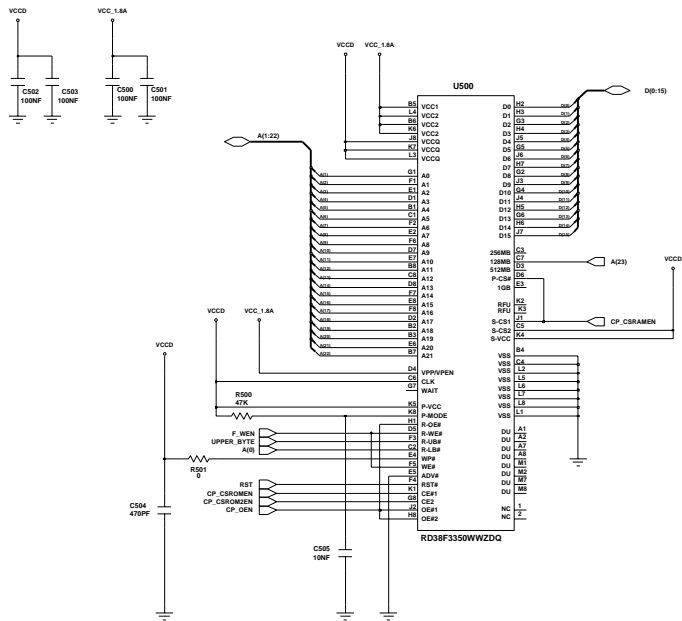
**JTAG CON**

Engineer	SEOYH	COMPANY NAME	
Drawn by	SEOYH	Address	City
RED CHK		TITLE:	Size A3
DSC CTRL CHK			
MFG ENGR CHK			
		<b>SGH-E600</b>	



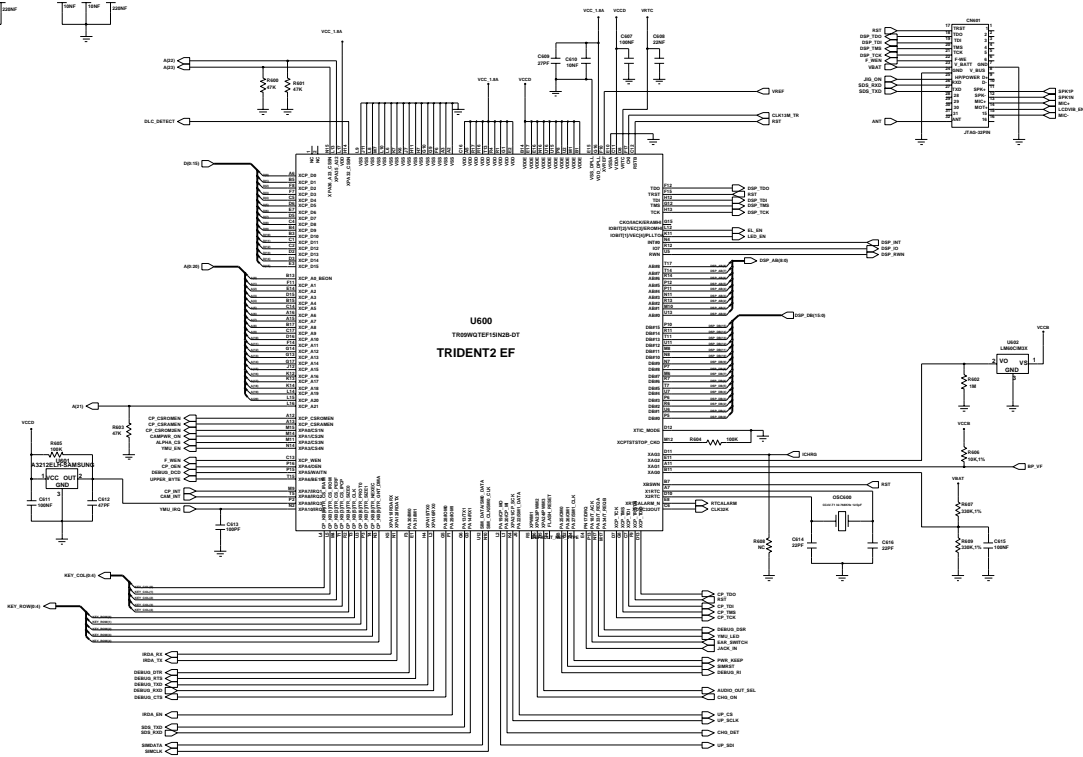
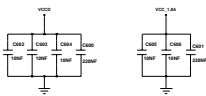
**AUDIO**

Engineer	SEOYH	<b>COMPANY NAME</b> Address City	Size A3
Drawn By	SEOYH		
RED CHK		TITLE:	
DOC CTRL CHK			
MFG ENGR CHK			
		<b>SGH-E600</b>	
Changed by	Date Changed	Time Changed	GA CHR
user12	2003.08.08	6:02:35 pm	
REV	Drawing Number	REV	Sheet 4 of 11
0.8		0.8	

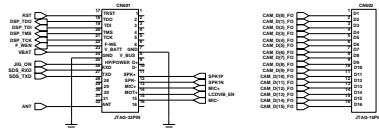


**MEMORY**

Engineer	SEOYH	COMPANY NAME Address City	
Drawn by	SEOYH		
RED CHK		TITLE:	Size A3
DWG CTRL CHK		SGH-E600	
MFG ENGR CHK			



JTAG

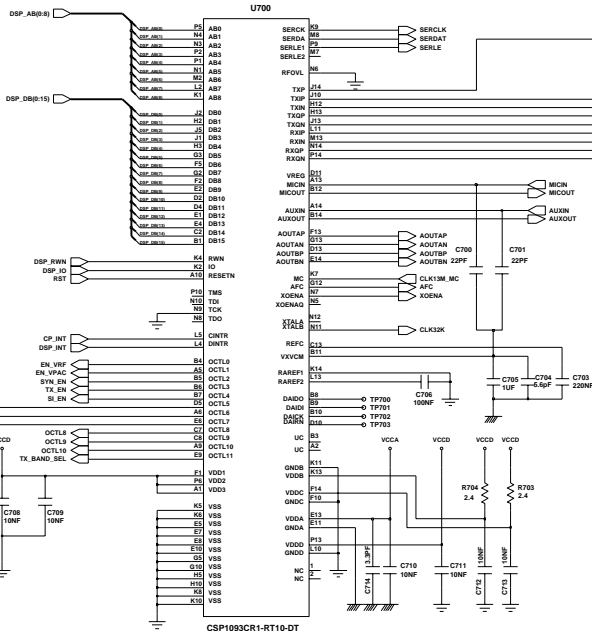
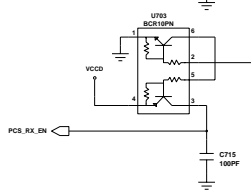
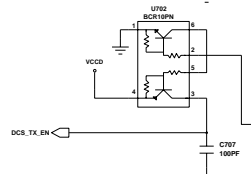
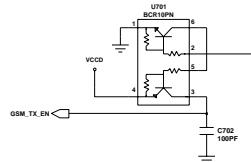
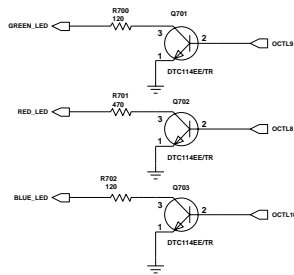


U600  
TR80WGTFP18N28-DT  
TRIDENT2 EF

TRIDENT

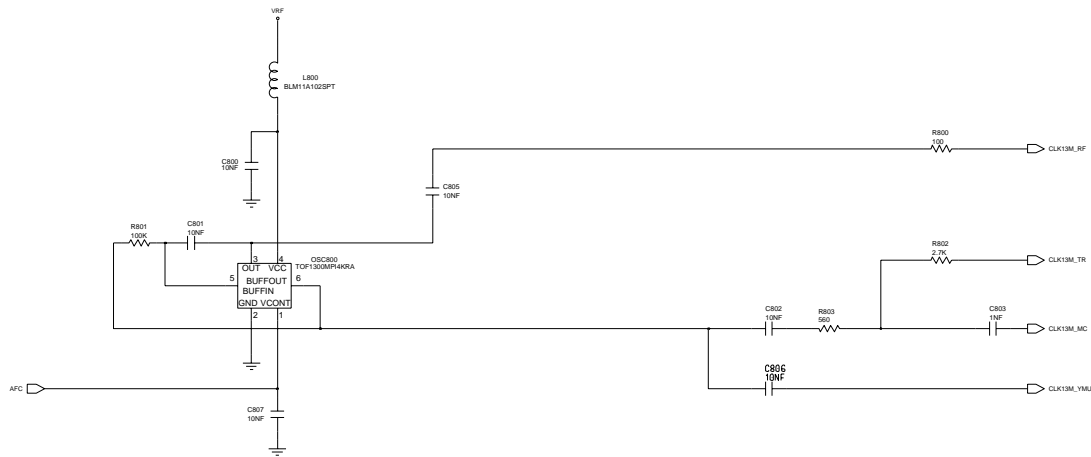


Part No.	SGH-E600	COMPANY NAME	
Drawn by	SECHIN	Address	
Rev. No.	01	City	
Checked by			
Approved by			
		SGH-E600	



CSP1993

Engineer	SEOTH	COMPANY NAME	Address City
Drawn by	SEOTH		
RED CHK		TITLE:  <b>SGH-E600</b>	Size A3
DWG CTRL CHK			
MFG ENGR CHK			

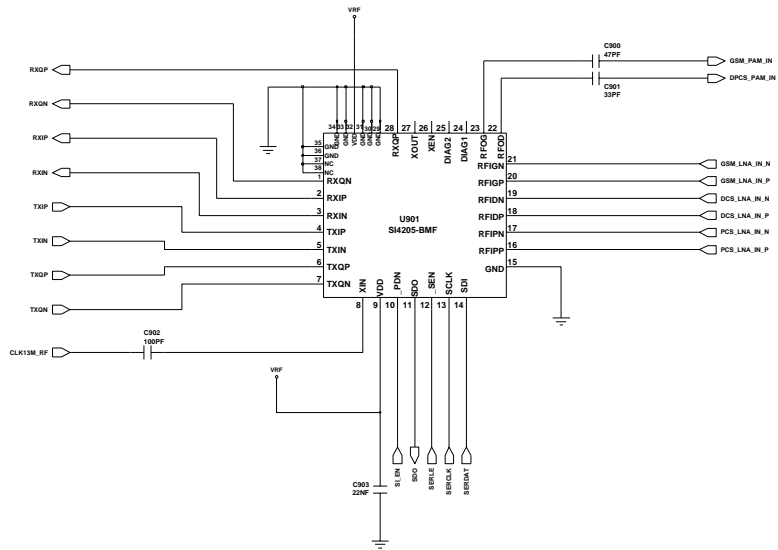


X-TAL(13MHz)

Engineer	SEOYH	COMPANY NAME	
Drawn by	SEOYH	Address	City
RED CHK		TITLE:	Size A3
DWG CTRL CHR		SGH-E600	
MFG ENGR CHR			

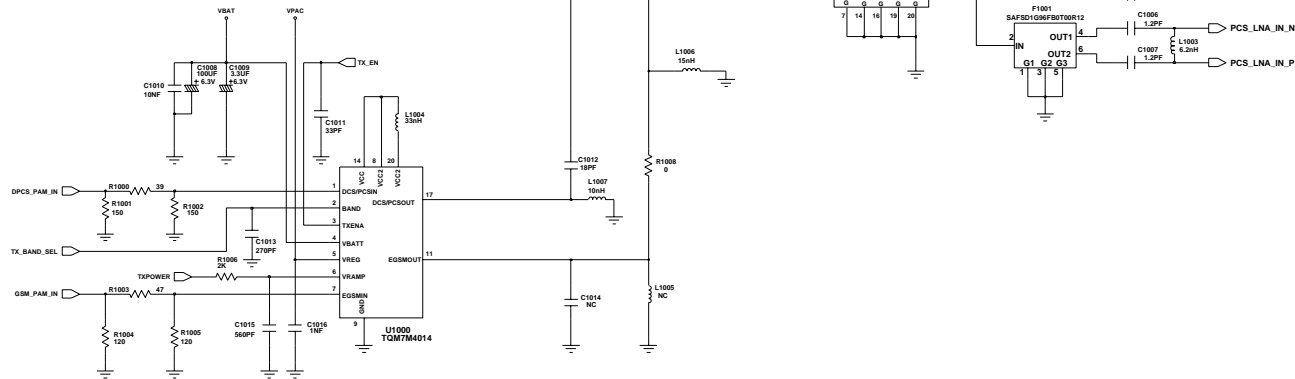
Changed by	Date Changed	Time Changed	QA CHR	REV	Drawing Number	Sheet	of	11
user12	2003.08.08	6:03:38 pm		0/1A		8		





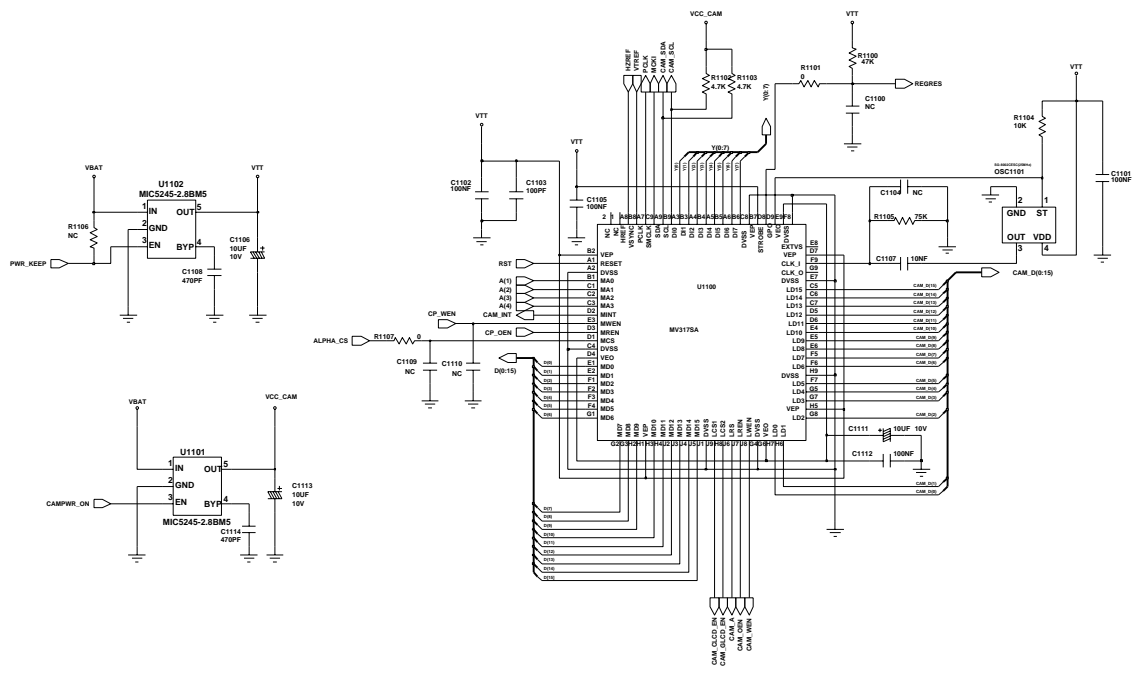
SI-LAB

Engineer	SEOYH	COMPANY NAME	
Drawn by	SEOYH	Address City	
RED CHK		TITLE:	Size A3
DWG CTRL CHK		SGH-E600	
MFG ENGR CHK			



TRANSMITTER & RECEIVER

Engineer	SEOYH	COMPANY NAME
Drawn by	SEOYH	Address City
RED CHK		TITLE:
DWG CTRL CHK		SGH-E600
MFG ENGR CHK		REV 0.8

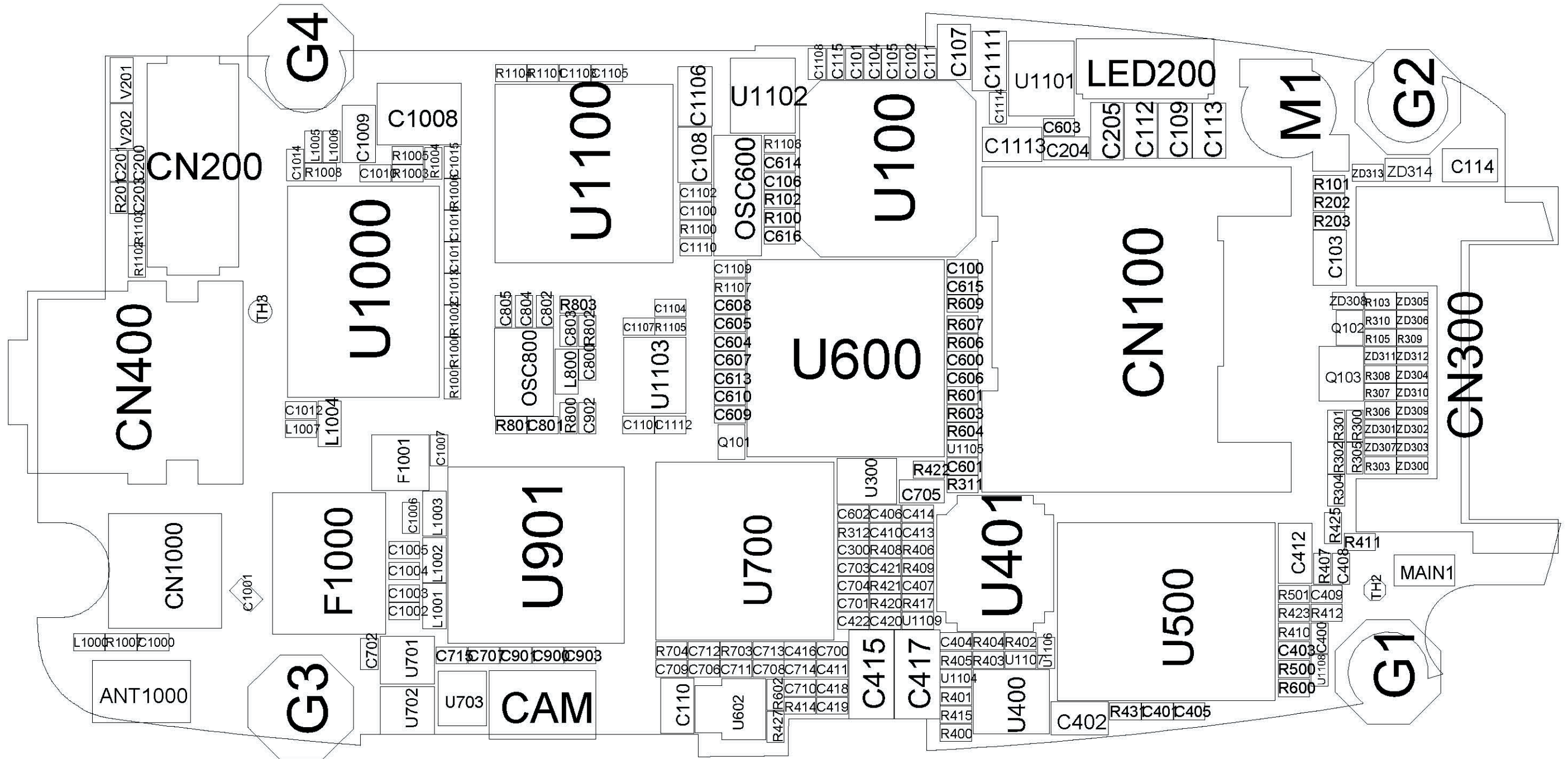


CAM ASIC

Engineer	SEOYH	COMPANY NAME
Drawn by	SEOYH	Address City
RED CHK		TITLE:
DWG CTRL CHK		SGH-E600
MFG ENGR CHK		REV 0.8

## 6. SGH-E600/E608 PCB Diagrams

### 1. Main PCB Top Diagram



2. Main PCB Bottom Diagram

