

HPE

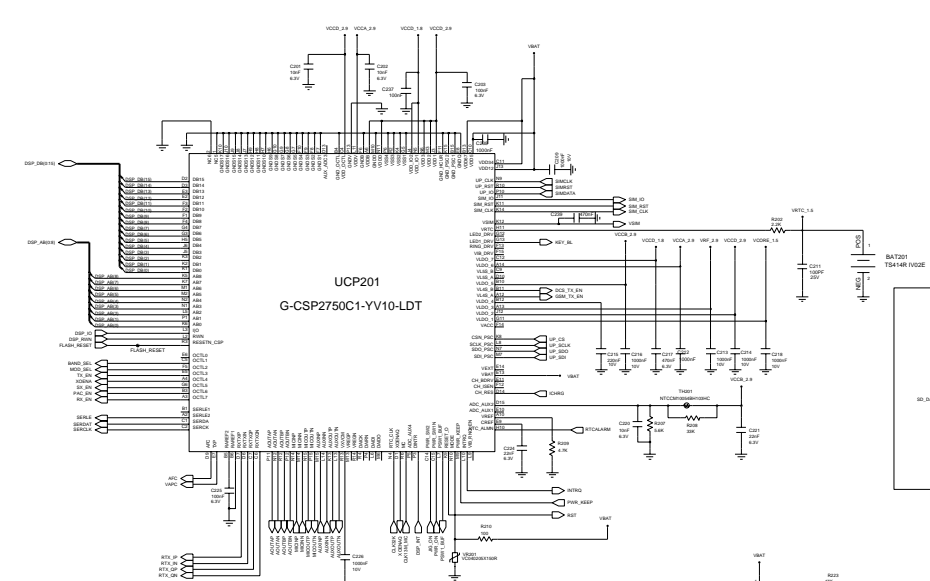
MEMORY

HALL SENSOR

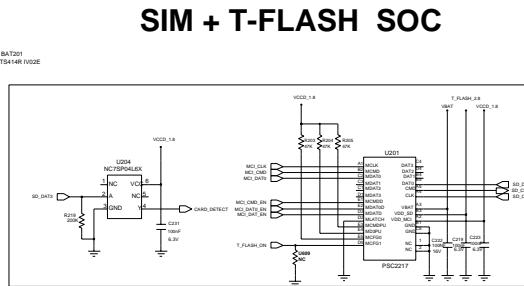
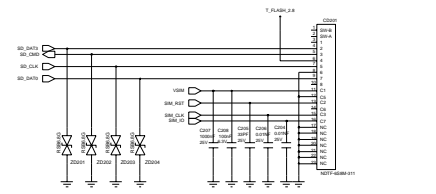
BATTERY CON

WALK SENSOR

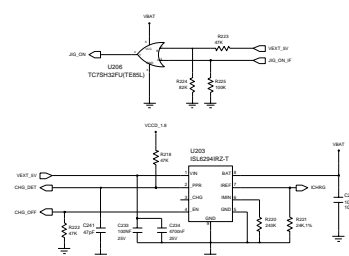
TYPE	PN2	SAMSUNG ELECTRONICS
DESIGN	PN2	
REV	1.0	
DESCRIPTION	AQUA2_REV1.0	
DATE	2011.01.10	
DR	DR	
DESIGNER	DESIGNER	
CHK	CHK	
DATE	DATE	



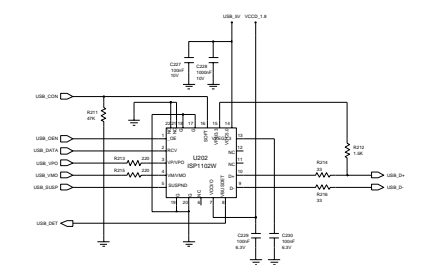
CSP2750



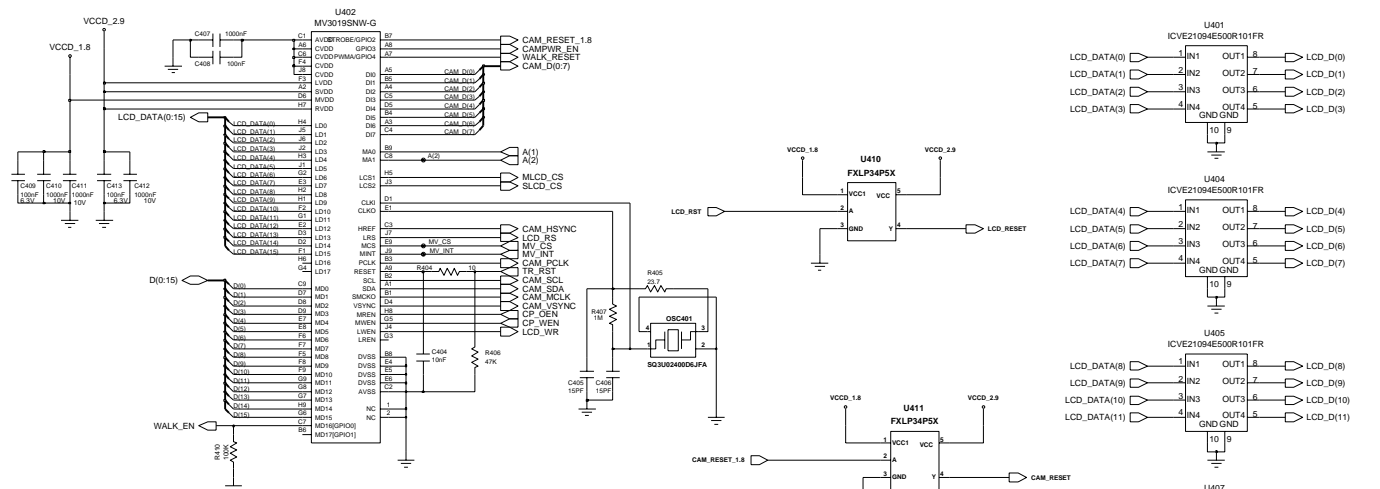
T-FLASH



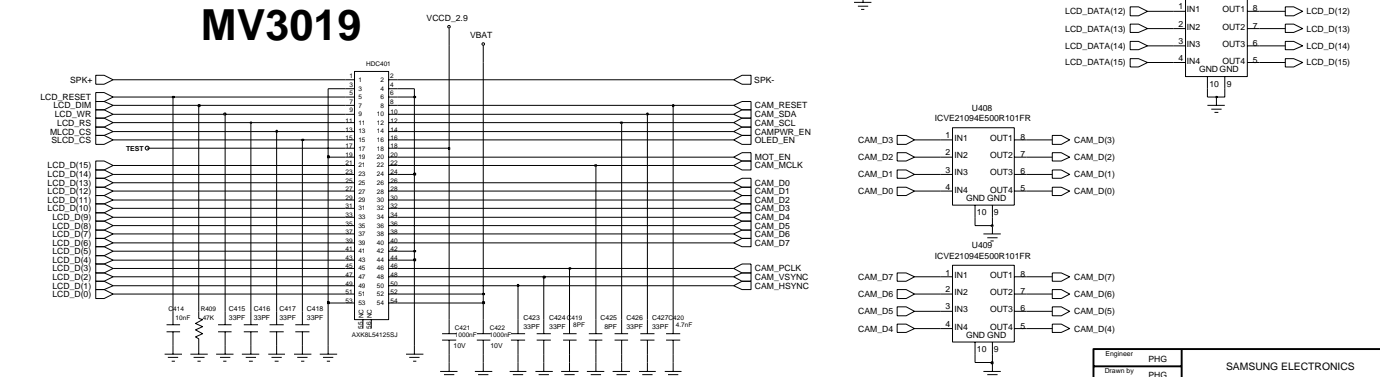
CHARGER IC



USB

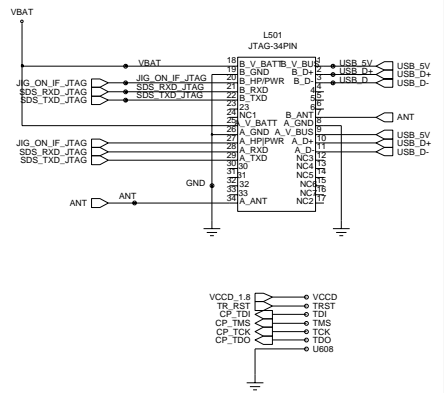
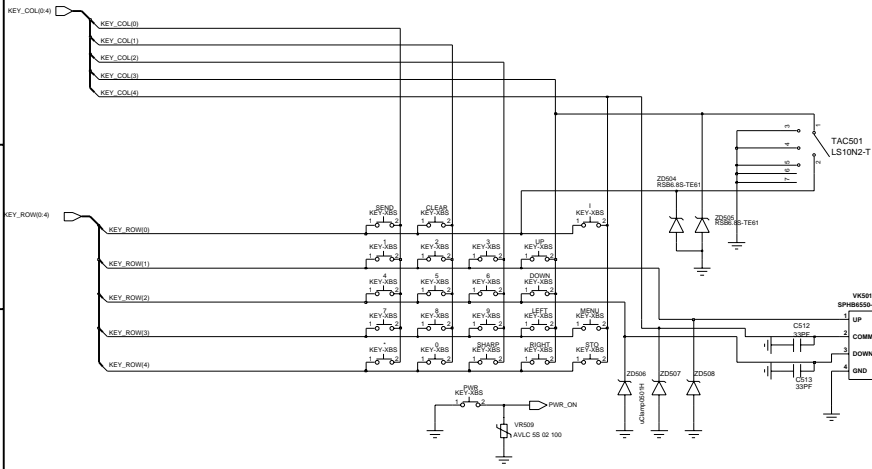


MV3019

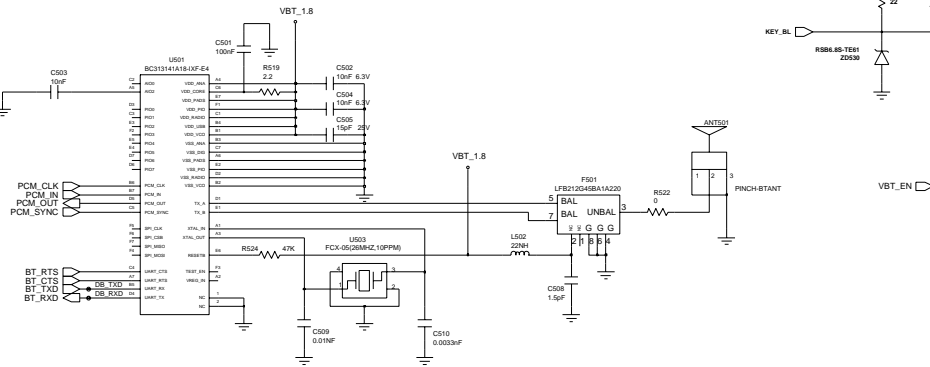
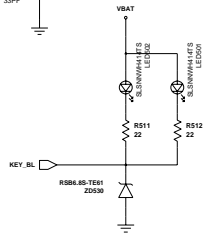


LCD CONNECTOR

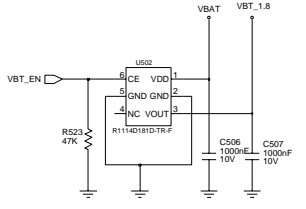
Engineer	PHG	SAMSUNG ELECTRONICS TITLE: AQUA2_REV1.0 Size A3
Drawn by	PHG	
RAD/CHK		
DISC/CTRL/CHK		
MFG/ENGR/CHK		AQUA2_REV1.0



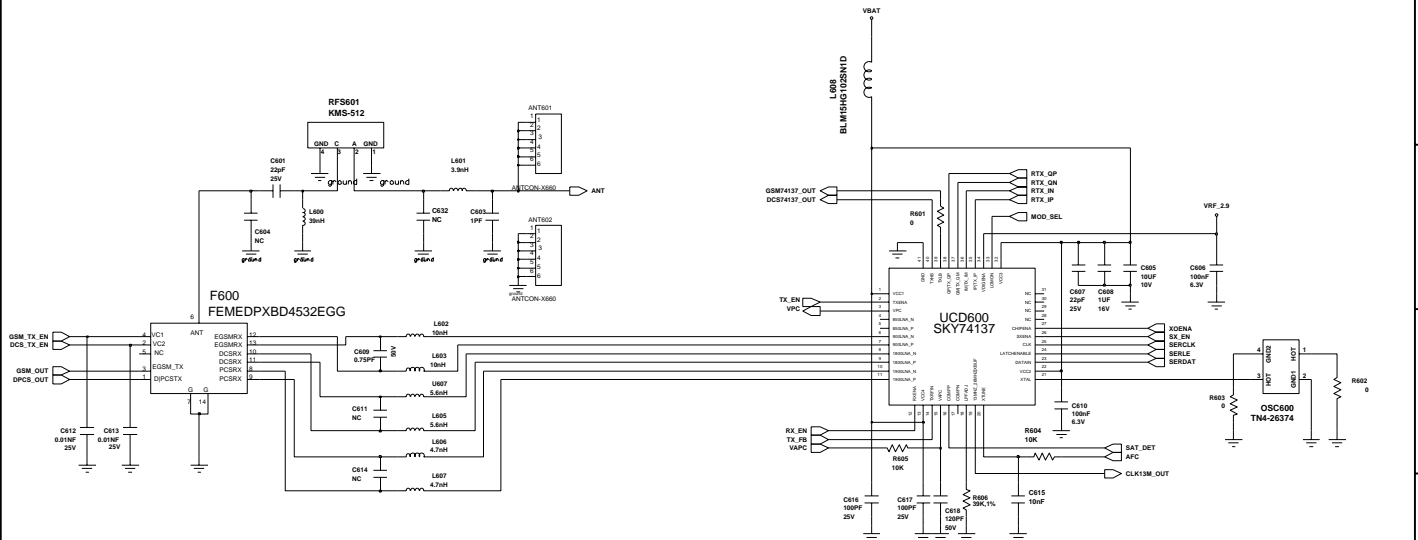
JTAG



BLUETOOTH



Engineer	PHG	SAMSUNG ELECTRONICS	Size A3		
Drawn by	PHG				
RAD/CHK				TITLE:	AQUA2_REV1.0
DES/CTRL/CHK				REV	Drawing Number
MFG ENGR/CHK					



RF PART

Engineer #115	COMPANY NAME	
Drawn by #115	Address	
Rev'd Chk	City	
DOC CTRL CHK	TITLE:	Size A3
MFG ENGR CHK	AQUA2_REV1.0	