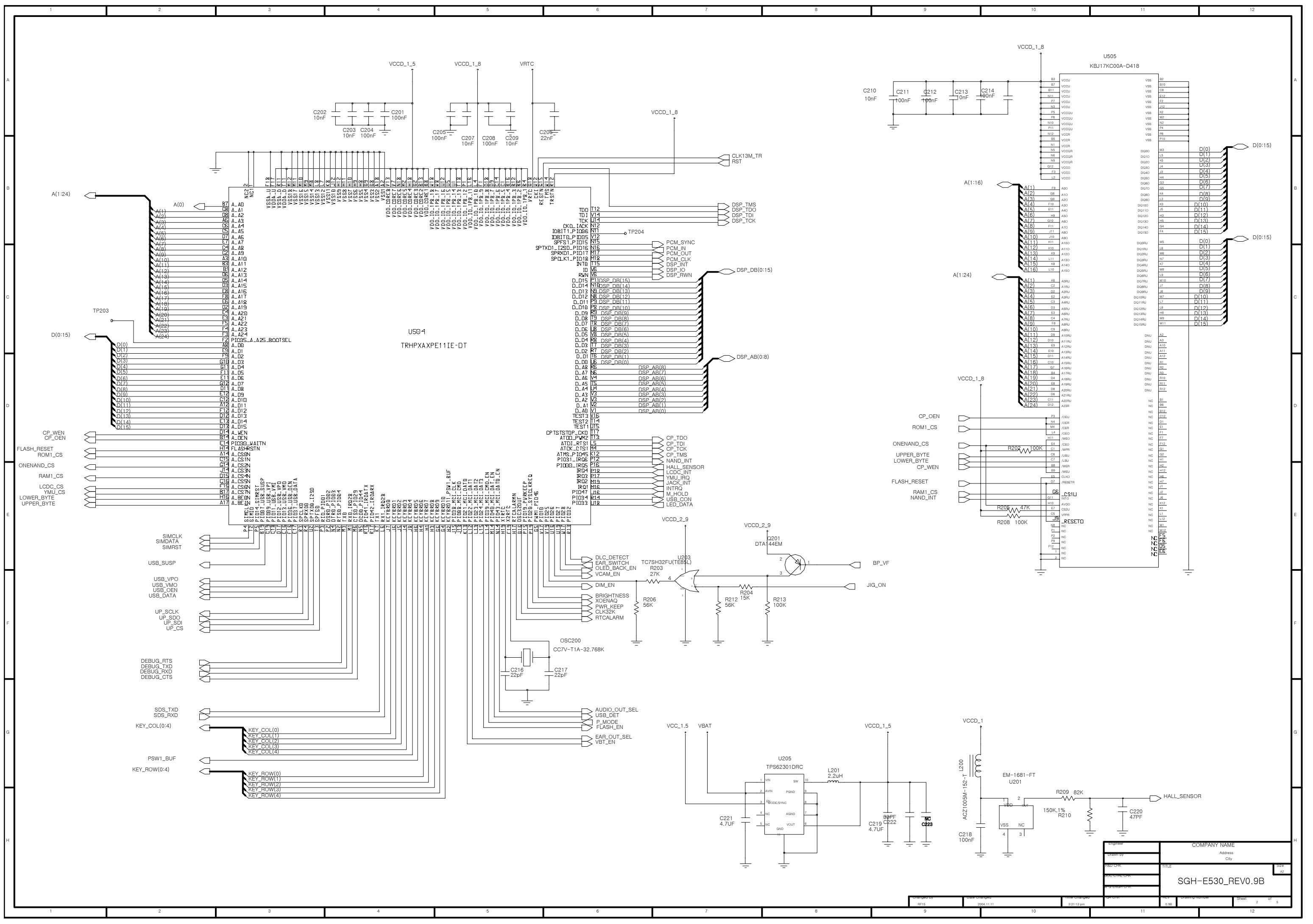
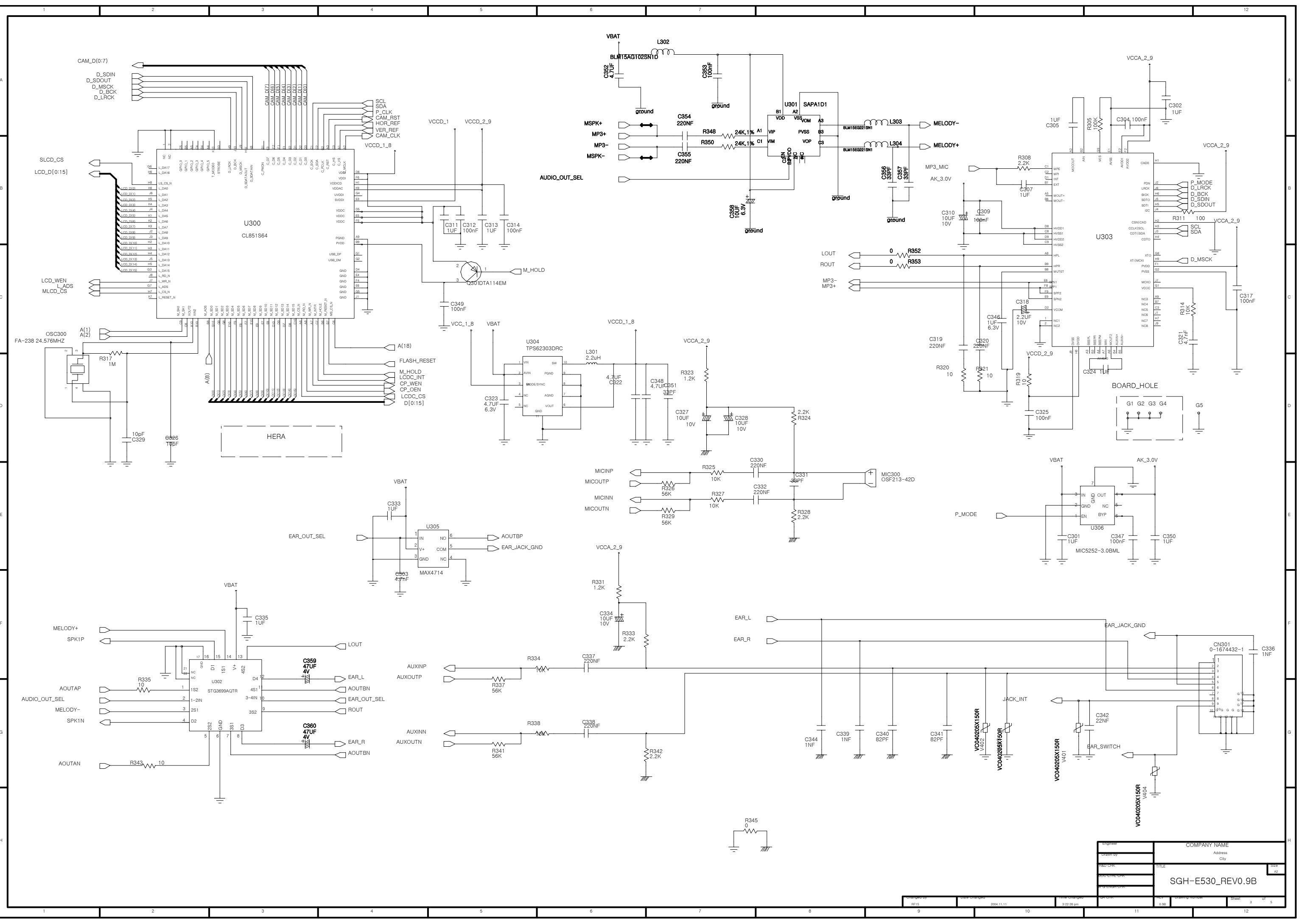


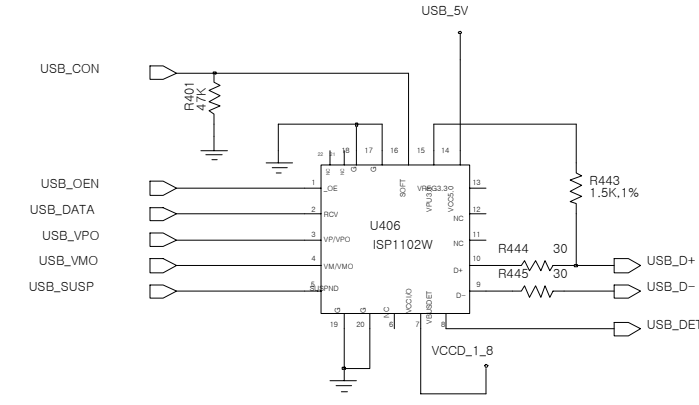
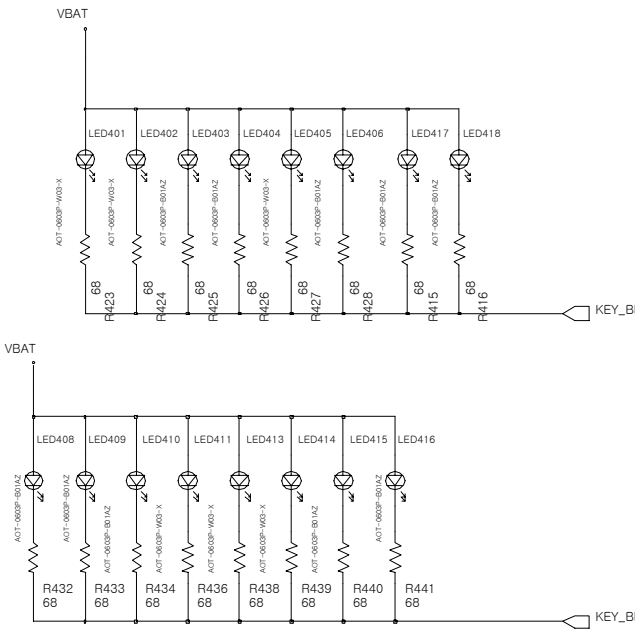
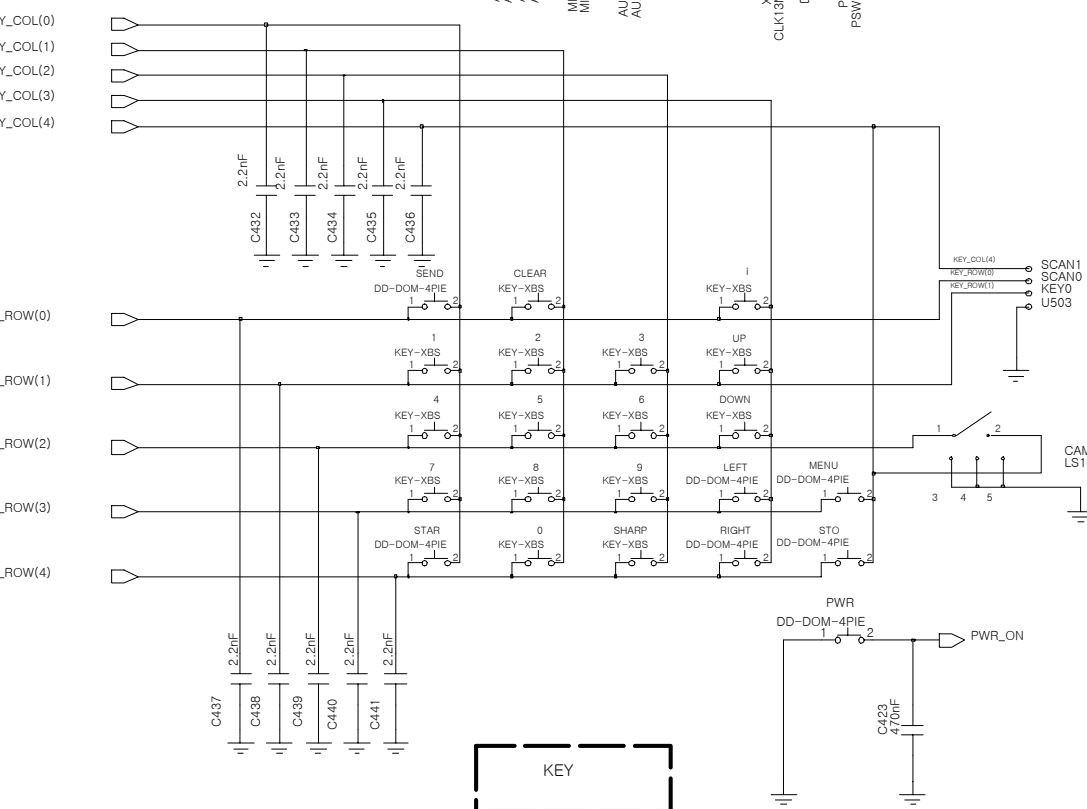
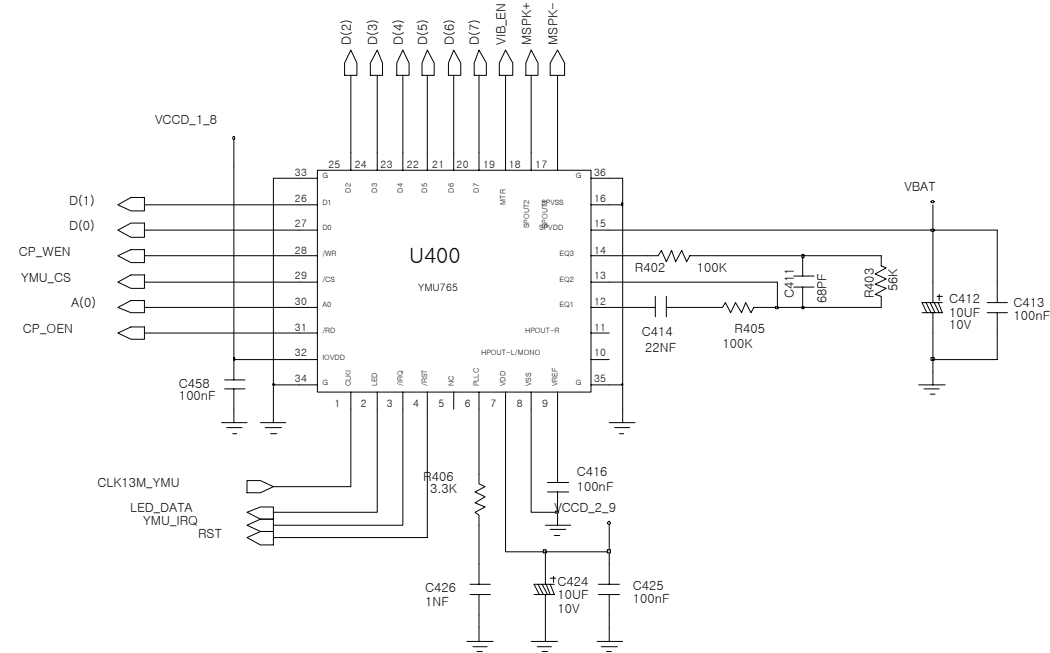
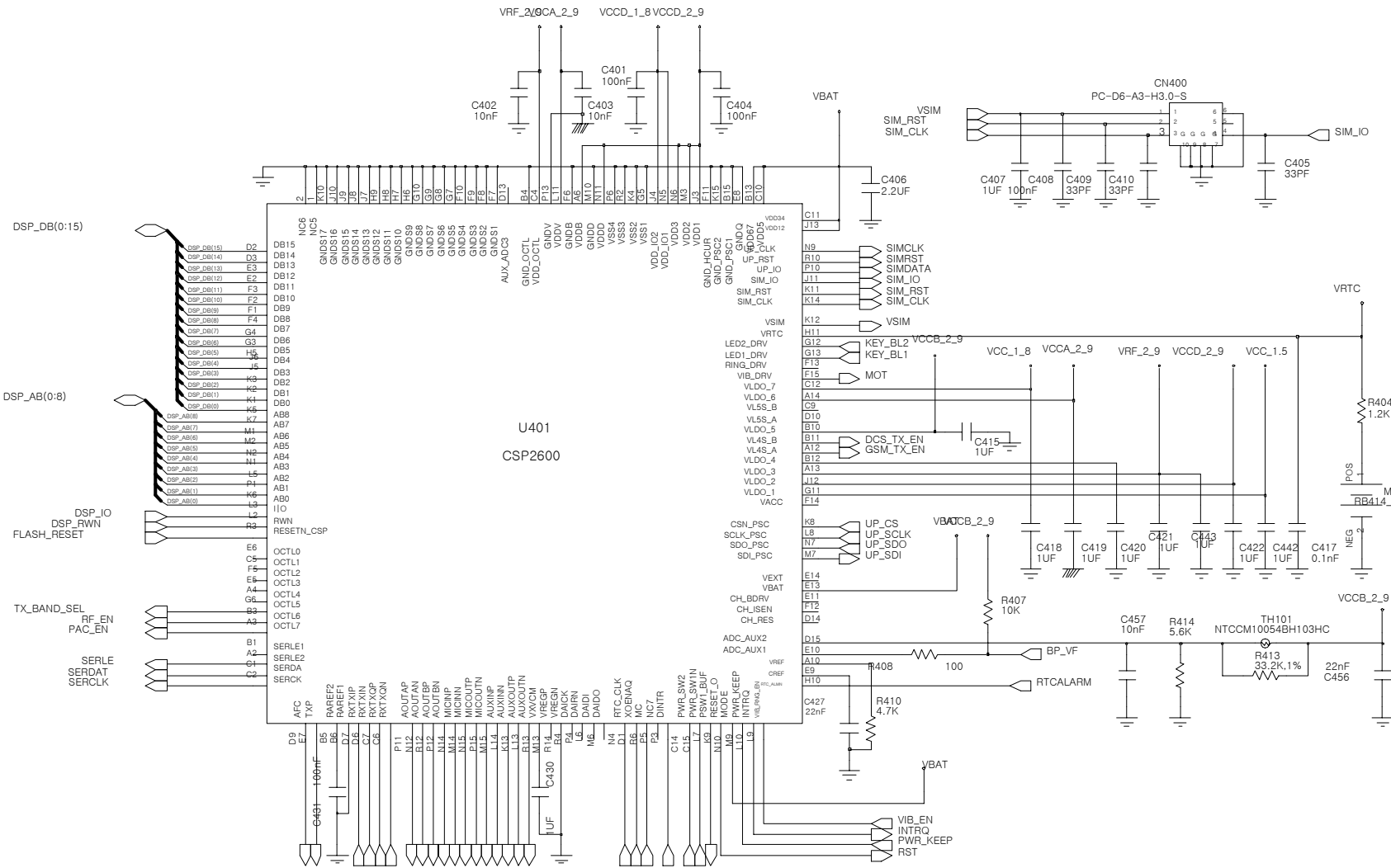
Engineer	COMPANY NAME	
Drawn by	Address	
Rev'd	City	
Rev'd	TITLE	
Rev'd	SGH-E530_REV0.9B	
Rev'd	DATE	
Rev'd	SHEET	
Rev'd	PAGE	



COMPANY NAME		Address
City		State
Country		Zip
SGH-E530_REV0.9B		



Engineer	COMPANY NAME
Checked by	Address
PCB Layout	City
PCB Gerber Data	TITLE
PCB Fabricator	SGH-E530_REV0.9B
File Name	Sheet 3 of 5
File Path	0.98



Engineer	COMPANY NAME
Drawn by	Address
Rev'd Chk	City
Proj. Chk	
Appr. Chk	
	TITLE
	SGH-E530_REV0.9B
Checked by	Size
Rev'd by	A3
Drawn by	Sheet
Rev'd by	4 of 3

