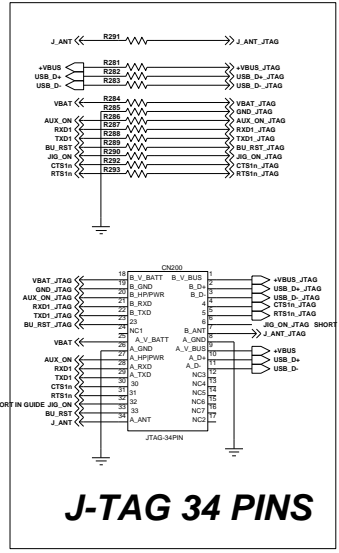
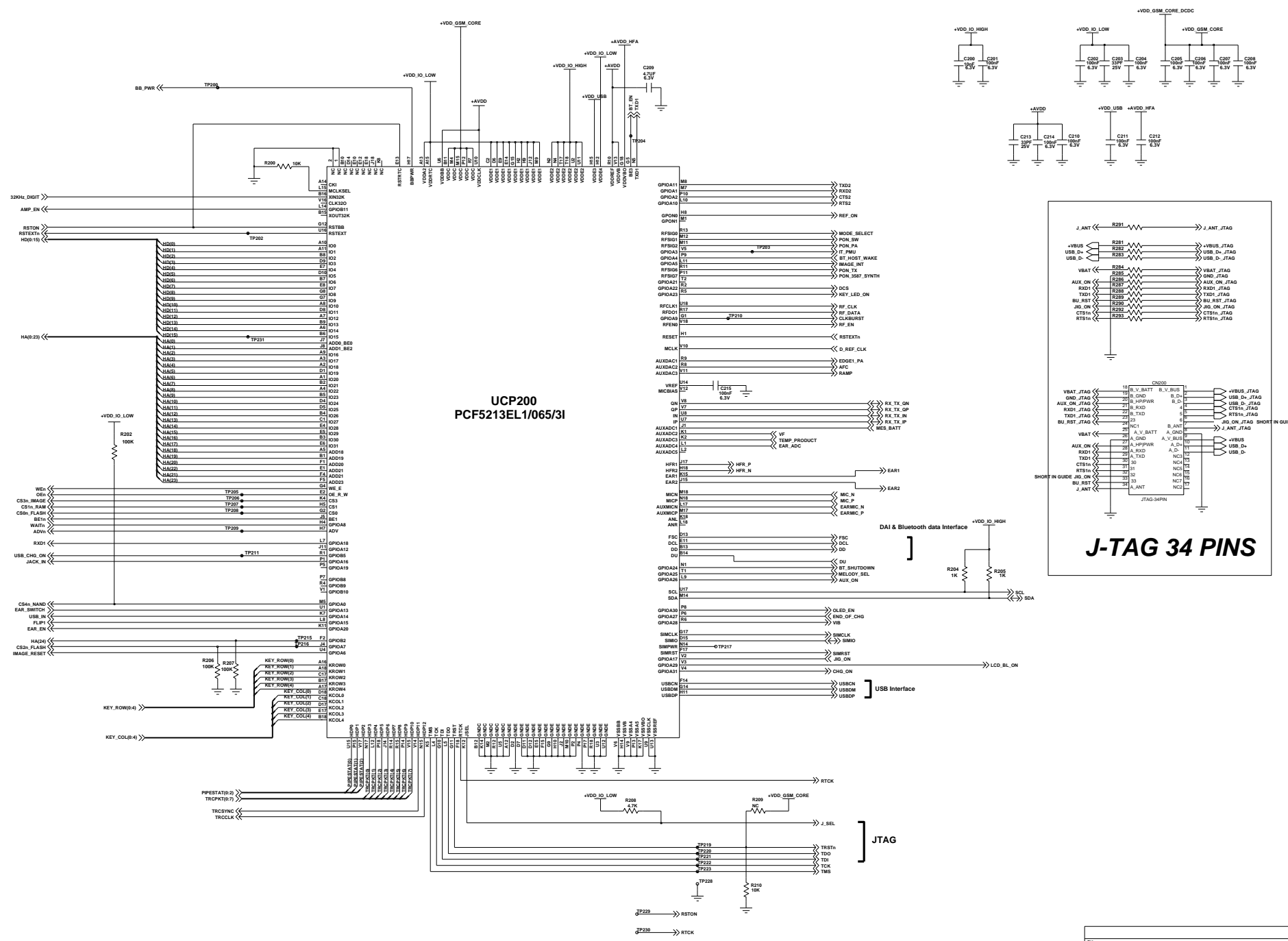
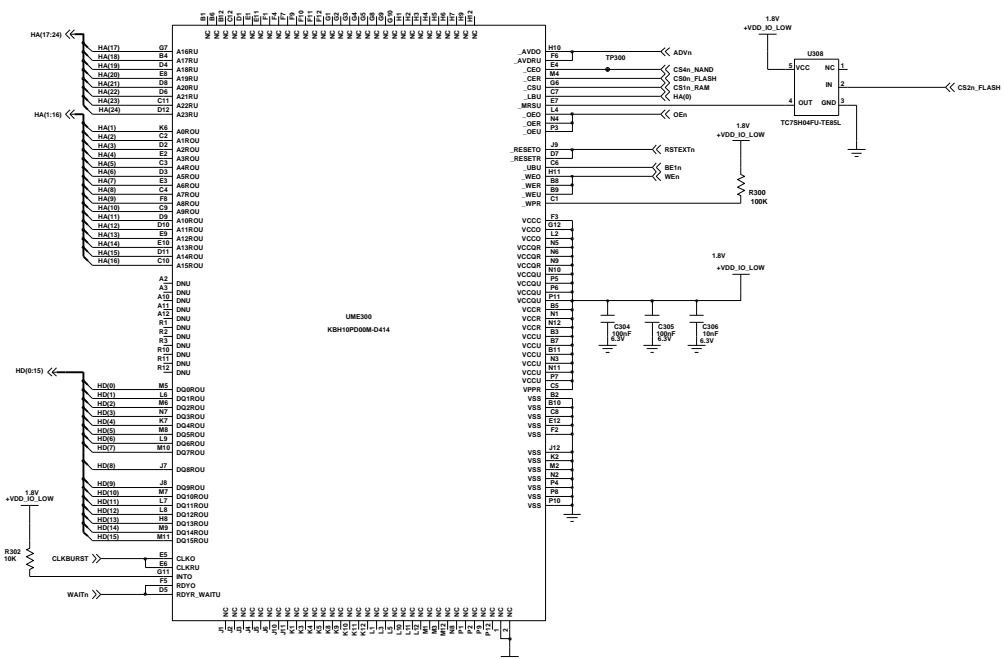


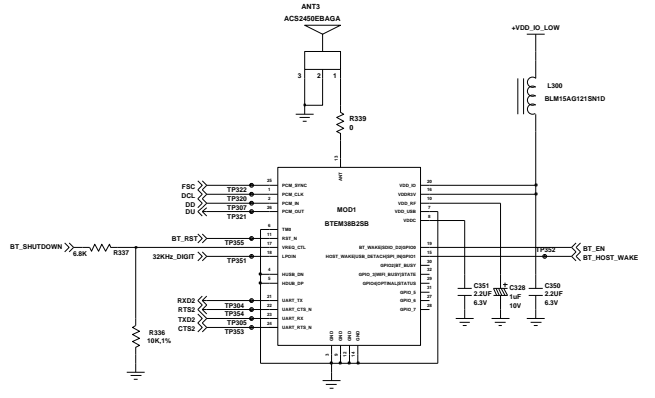
	VC1	VC2	CURRENT
Tx(GSM900)	H	L	8.0mA
Tx(DCS1800/1900)	L	H	8.0mA
Rx(GSM900)	L	L	<0.5uA
Rx(DCS1800)	L	L	<0.5uA
Rx(PCS1900)	L	L	<0.5uA



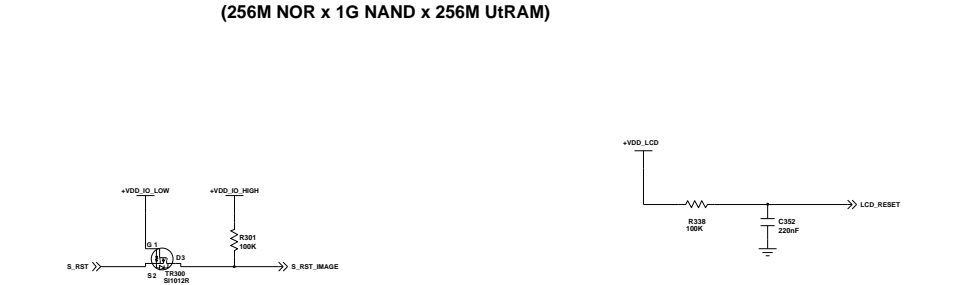
J-TAG 34 PINS



MEMORY
(256M NOR x 1G NAND x 256M UtRAM)



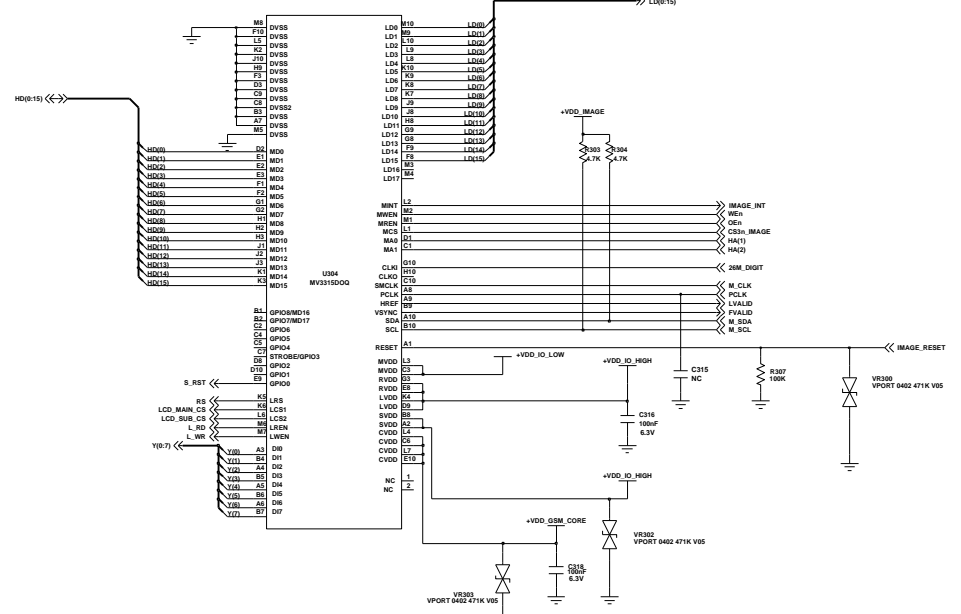
BLUE_TOOTH



LEVEL SHIFT

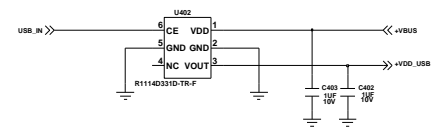


LDO

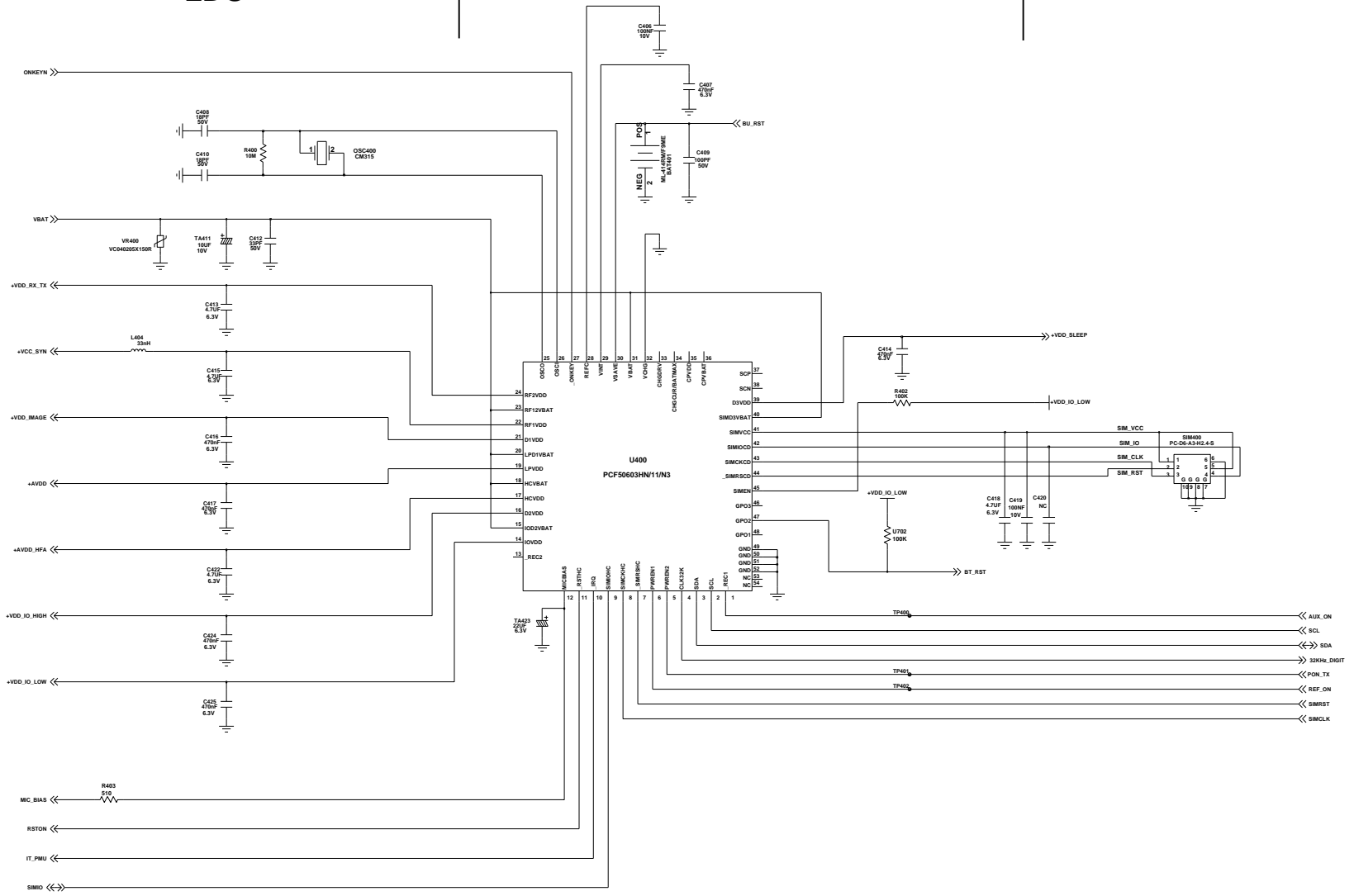
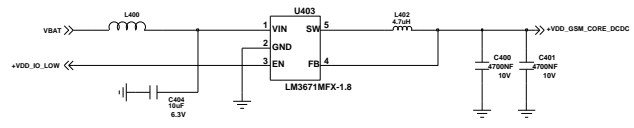


IMAGE_DSP

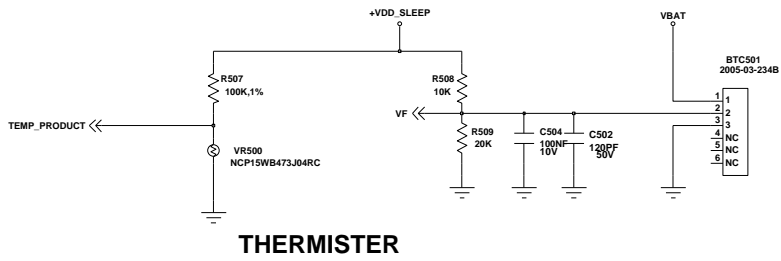
DC/DC Down Converter(1.8Volt)



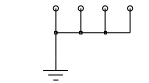
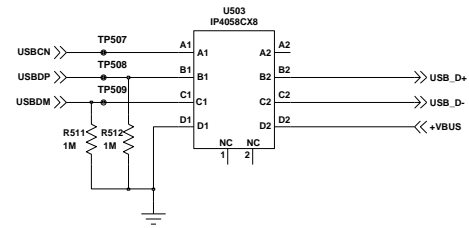
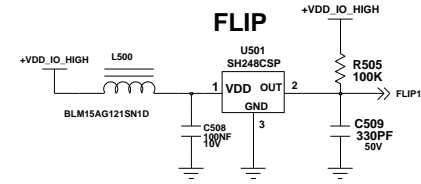
LDO



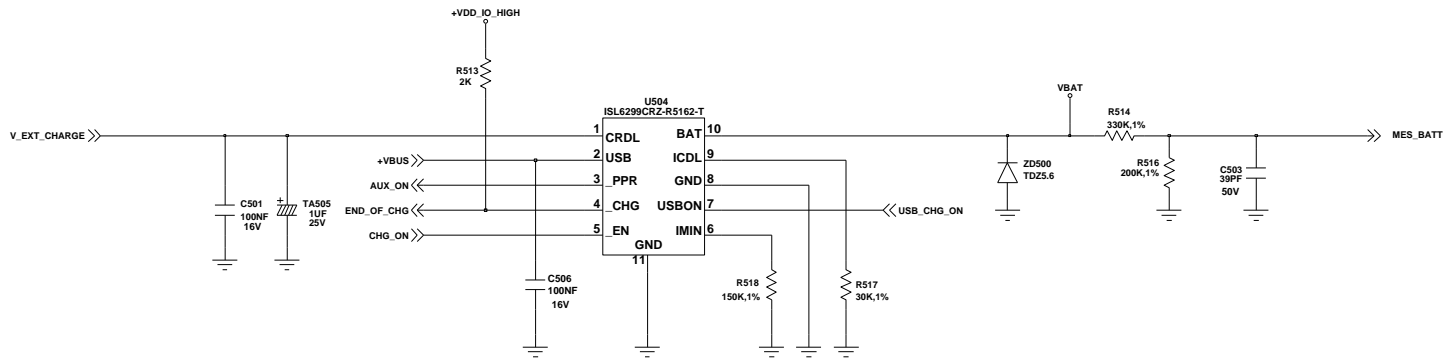
VDD_IO_HIGH	2.9V
VDD_IO_LOW	1.8V
VDD_VIB	2.9V
VDD_IMAGE	2.8V
AVDD	2.6V
AVDD_HFA	2.6V
VCC_RX_TX	2.9V
VCC_SYN	2.9V
VDD_GSM_CORE	1.8V
VDD_SLEEP	2.6V
VDD_VIB_2.9	2.9V
VDD_4V	4V



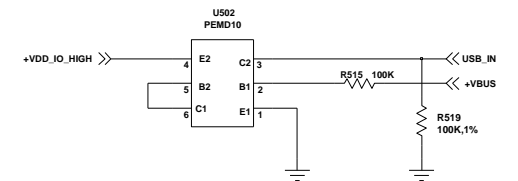
THERMISTER



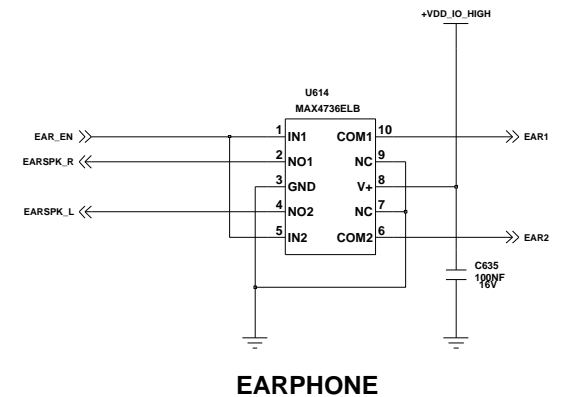
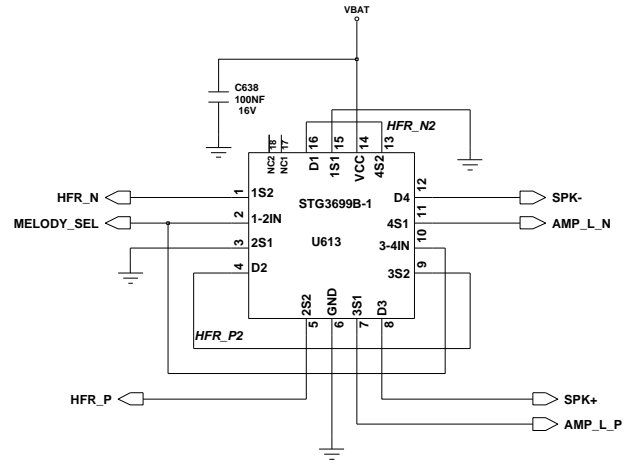
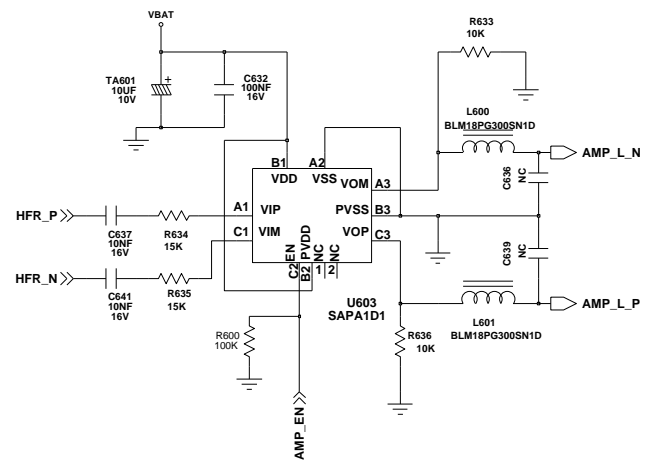
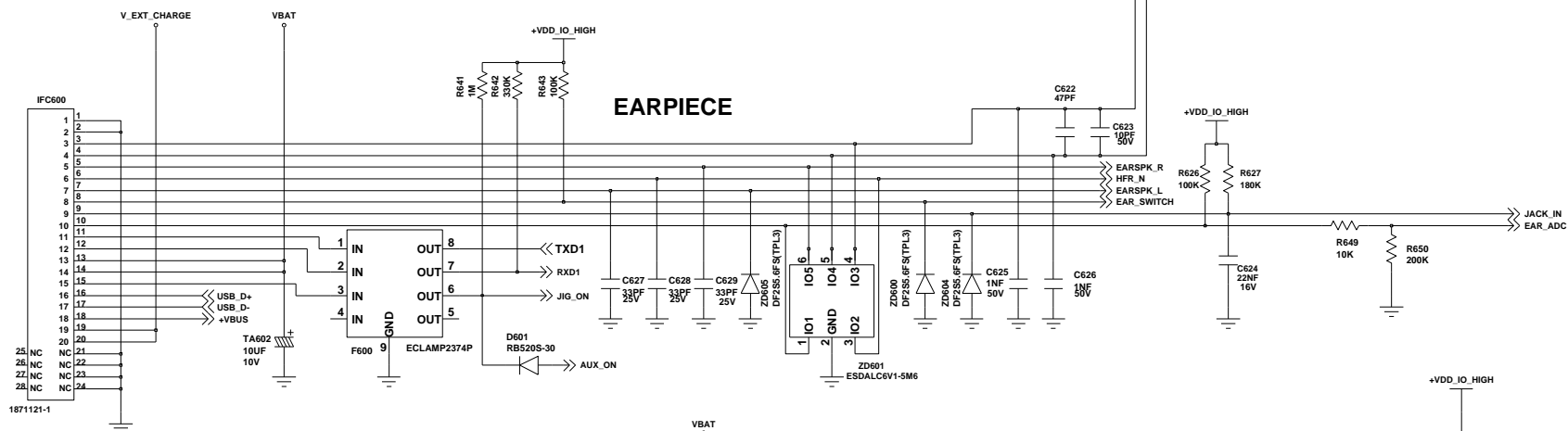
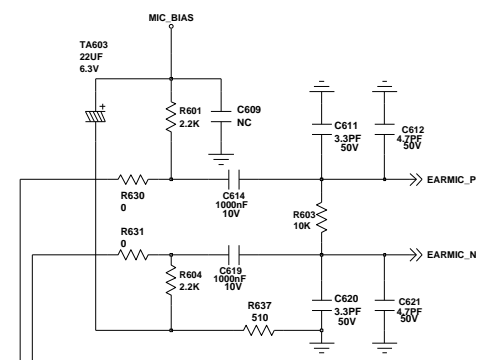
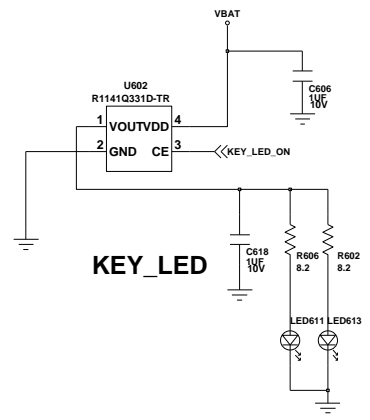
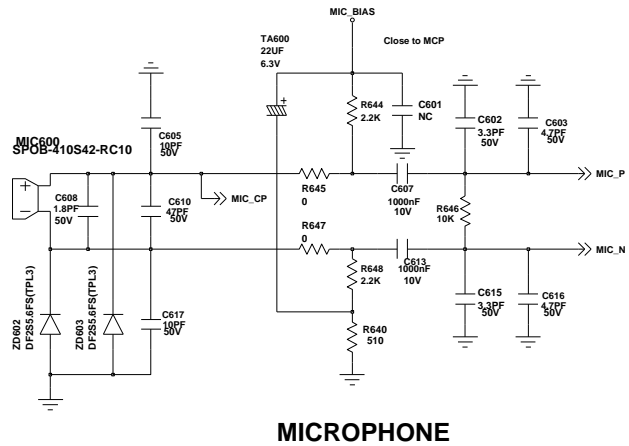
PCB_HOLE



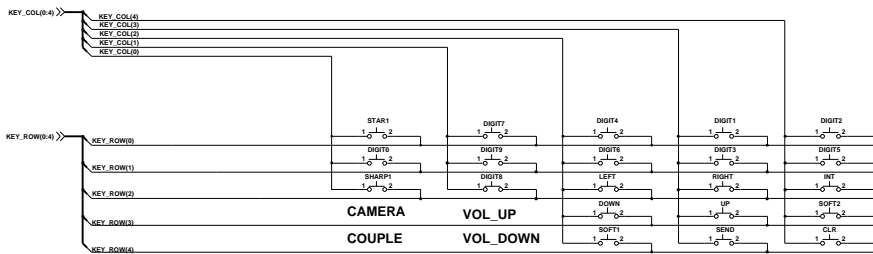
BATTERY CHARGING



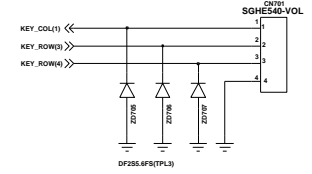
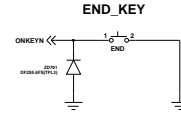
Title		
Charging Schematic		
Size	Document Number	Rev
A3	AMELIE	Rev 0.8
Date:	2006.04.11	Sheet 5 of 7



Title		
Audio & KEY Schematic&IF CONNECTOR		
Document Number	AMELIE	Rev 0.8
Date:	2006.04.11	Sheet 6 of 7

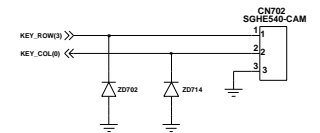
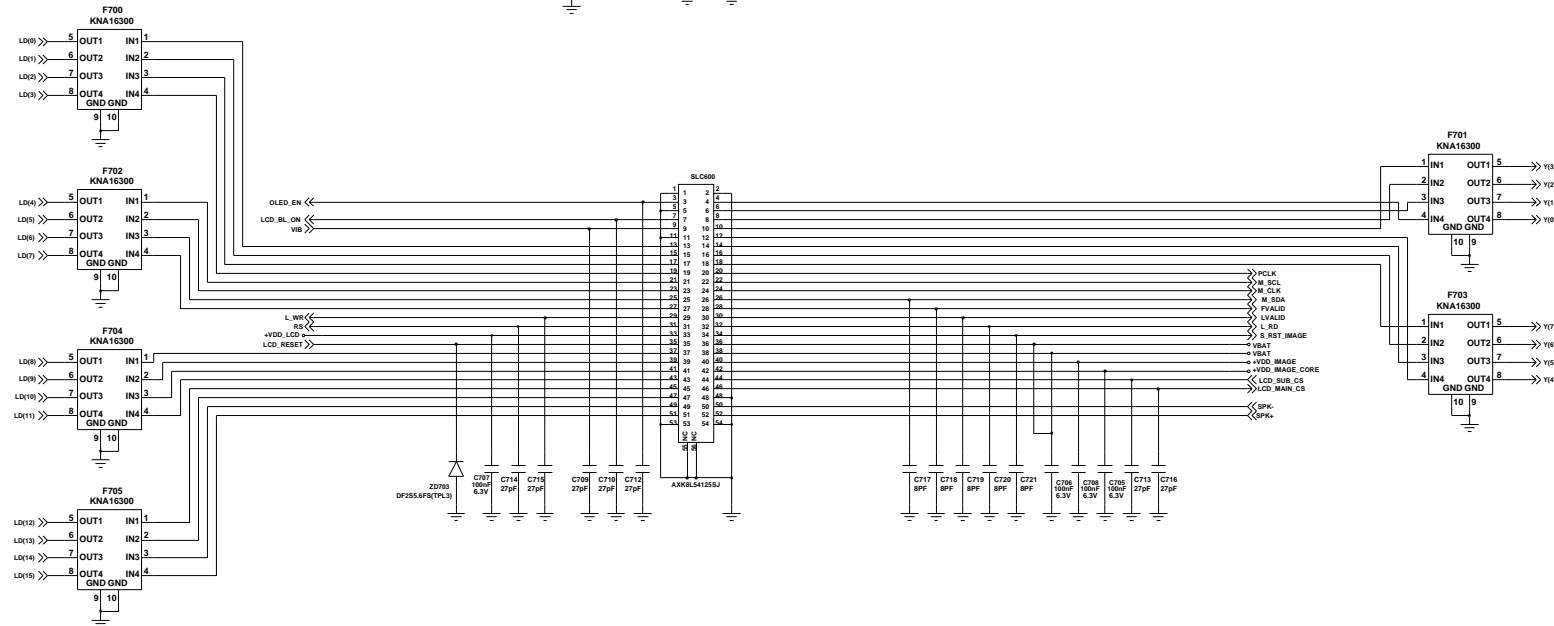
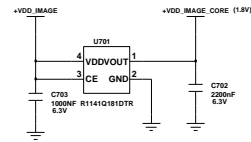


KEY_MAP

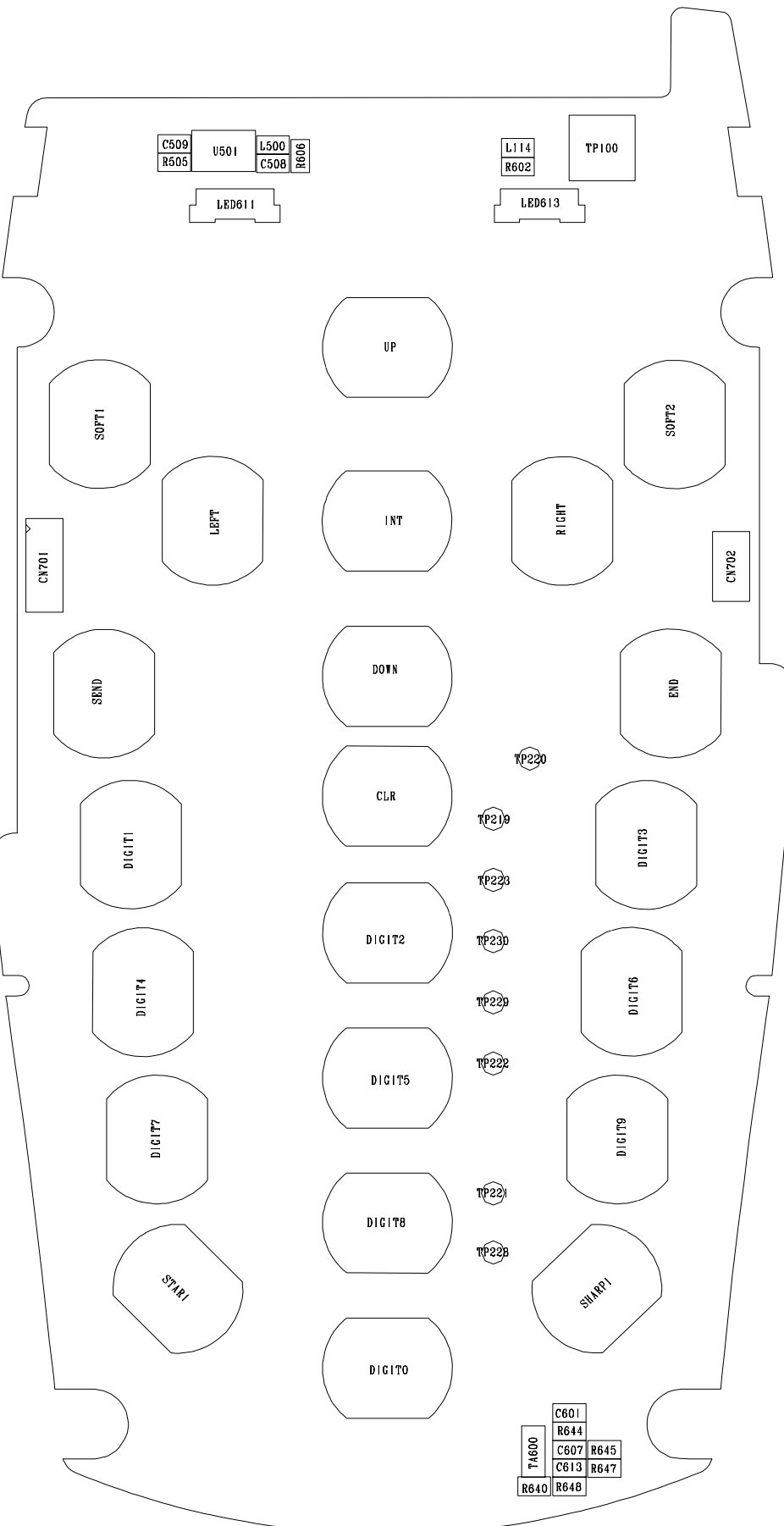


SIDE_KEY

LCD_CONNECTOR



CAMERA_KEY



C509	U501	L500	R606
R505		C508	

LED611

L114	TP100
R602	

LED613

CN701

CN702

SOFT1

LEFT

UP

INT

RIGHT

SOFT2

SEND

DOWN

END

DIGIT1

CLR

TP220

DIGIT3

DIGIT4

DIGIT2

TP219

TP223

DIGIT6

DIGIT7

DIGIT5

TP230

TP229

DIGIT9

STAR1

DIGIT8

TP222

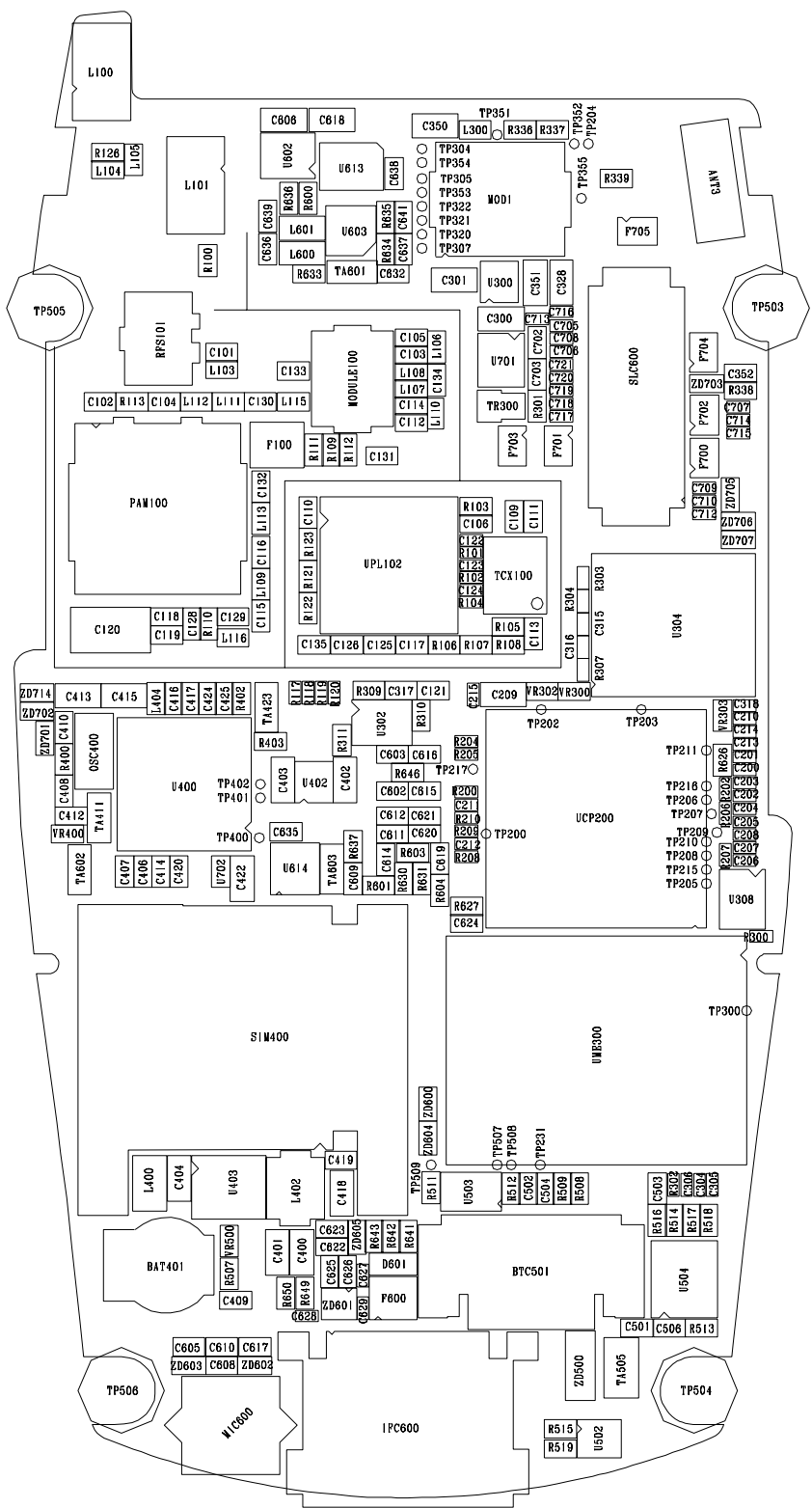
TP221

TP22B

SWAP1

DIGIT0

TA600	C601	
	R644	
	C607	R645
	C613	R647
R640	R648	



- R289
- R291
- R293
- R297
- R298
- R284
- R285
- R292
- R294
- R295
- R296
- R299
- R300
- R290