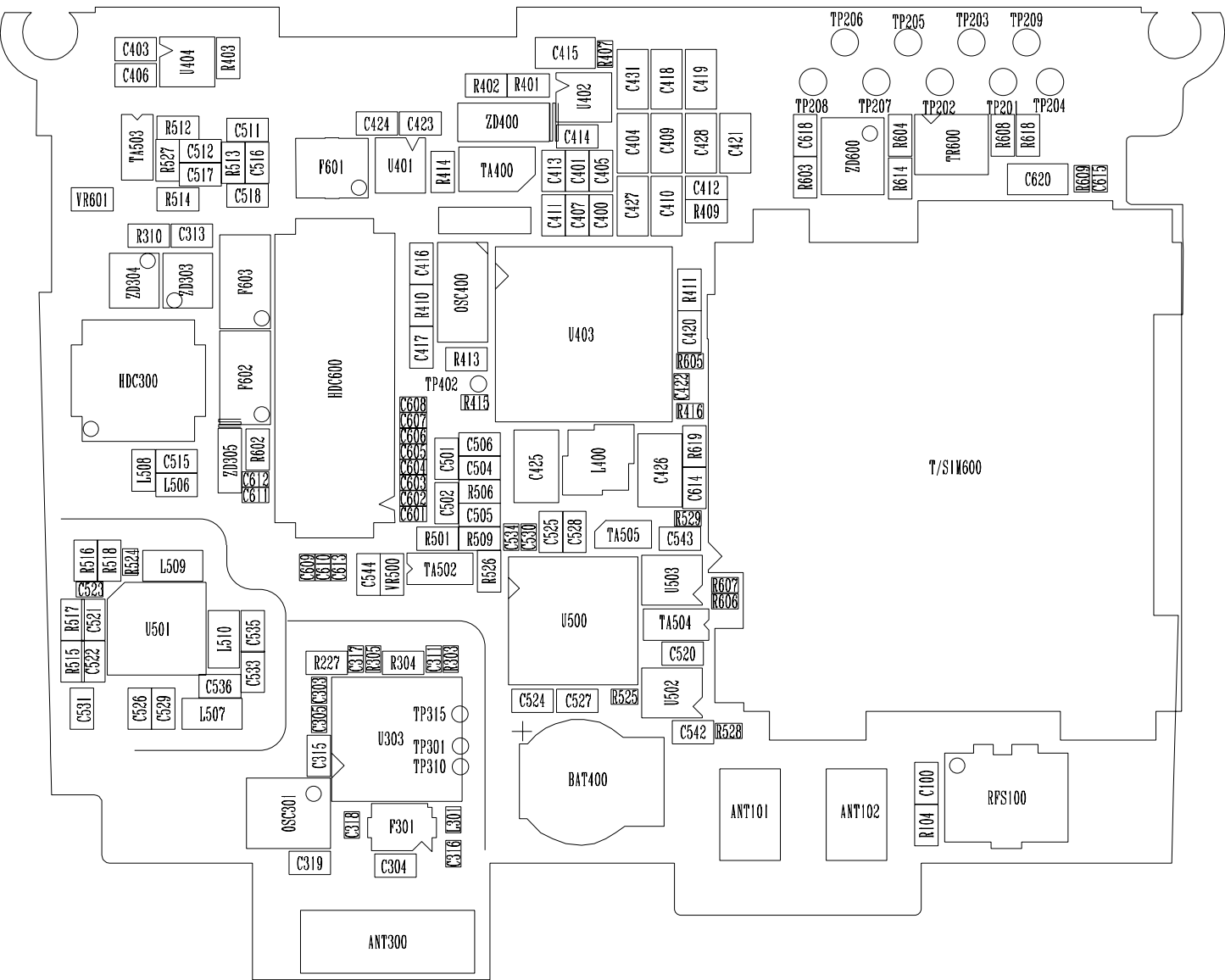
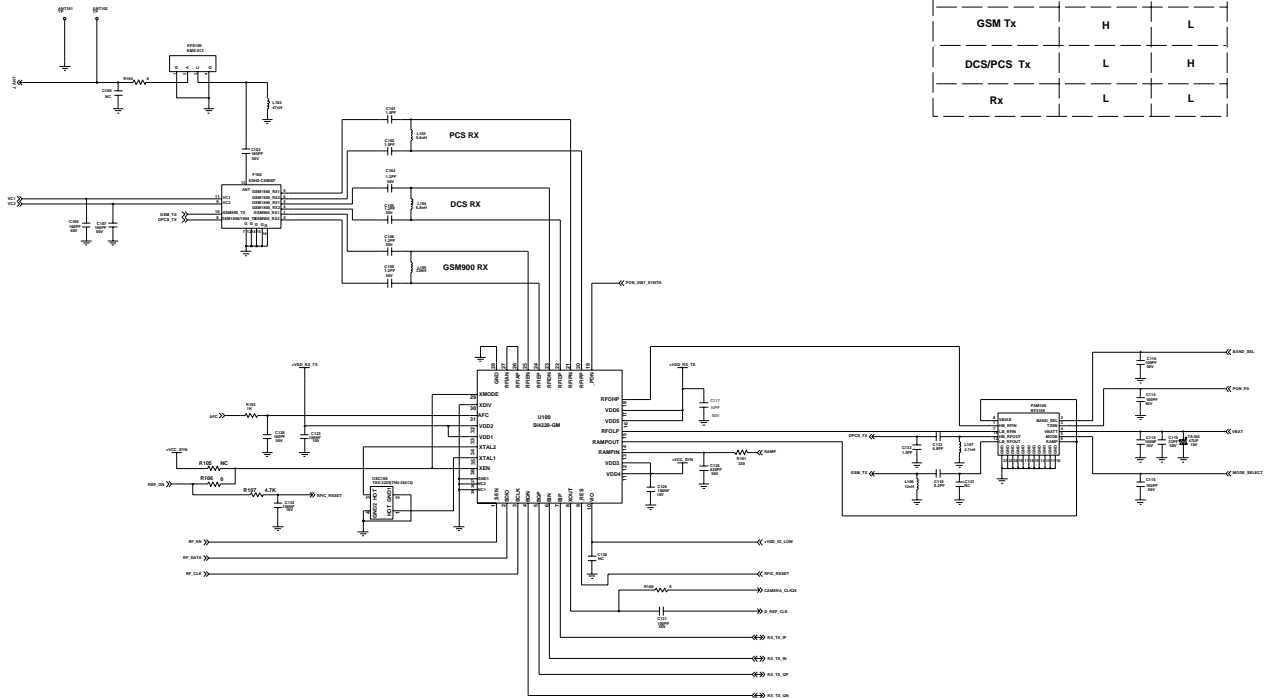
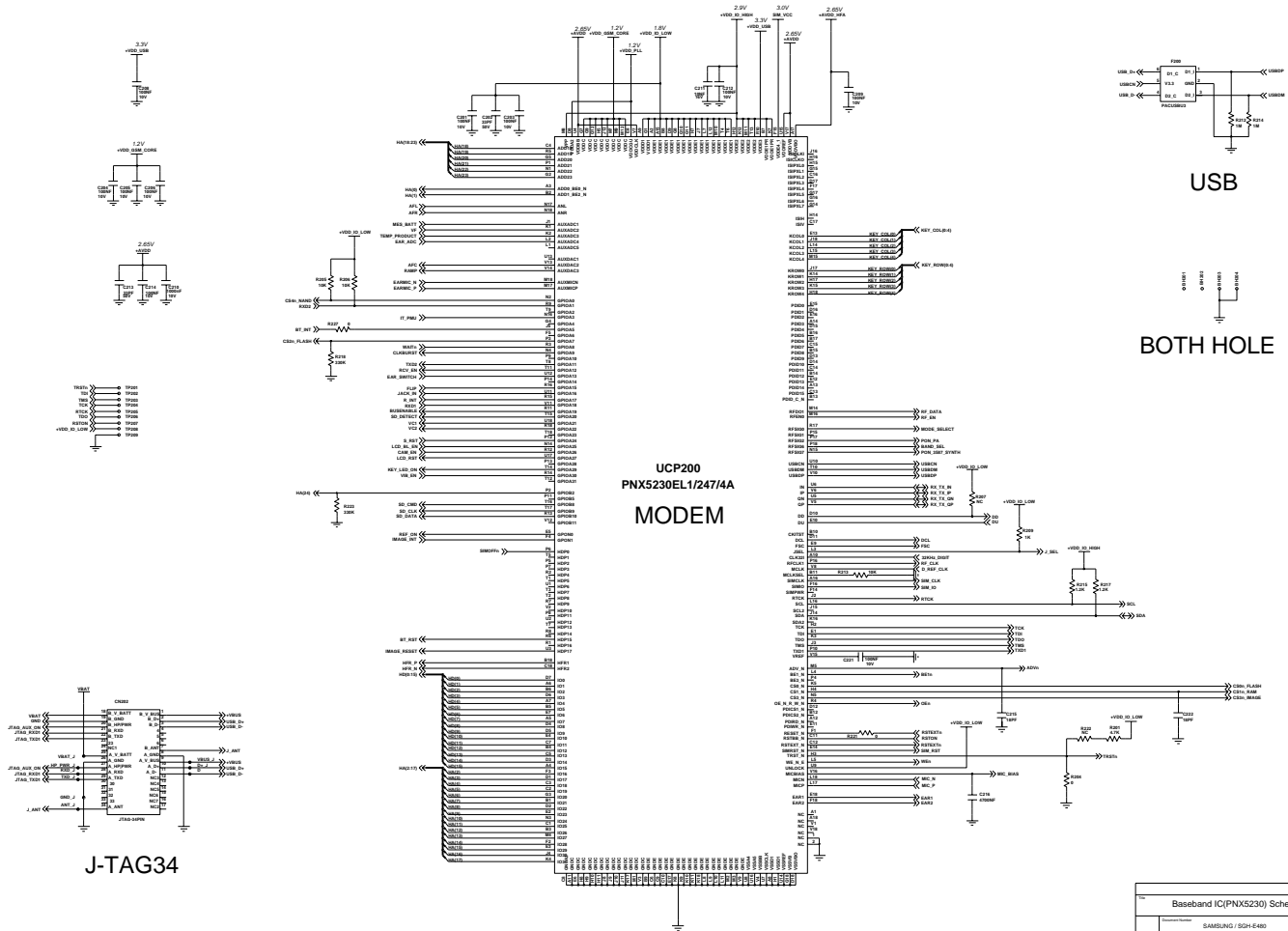
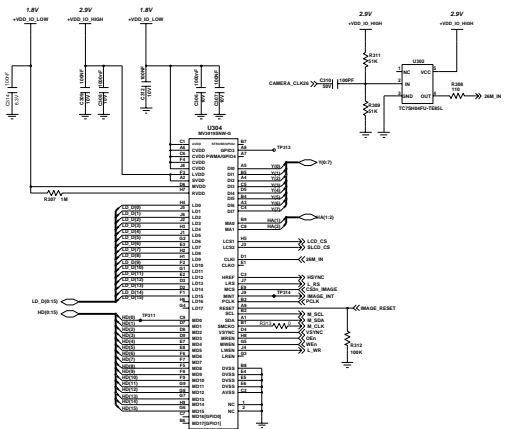


- CND\_J
- HP\_PTR\_J
- TXD\_J
- RXD\_J
- D+\_J
- D
- VBUS\_J
- VBAT\_J
- ANT\_J

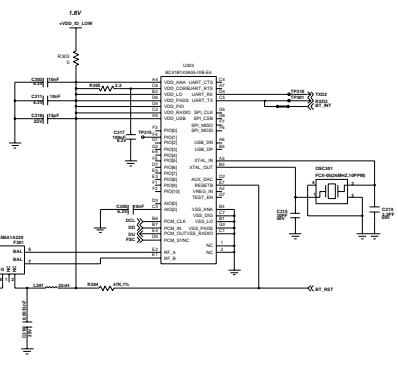




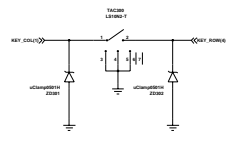




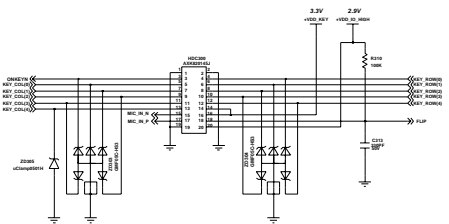
**IMAGE DSP**



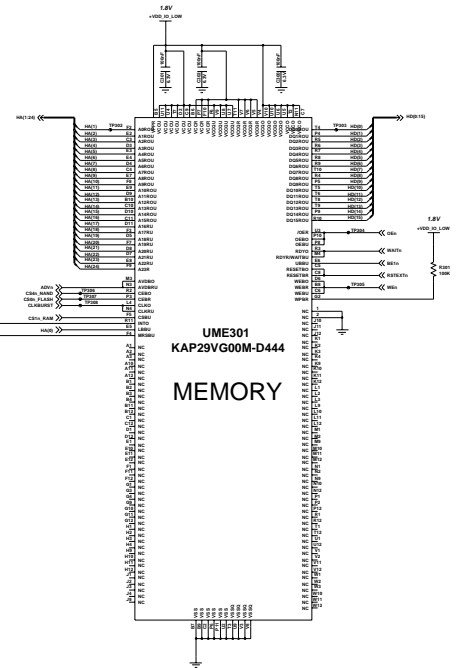
**BLUE TOOTH**



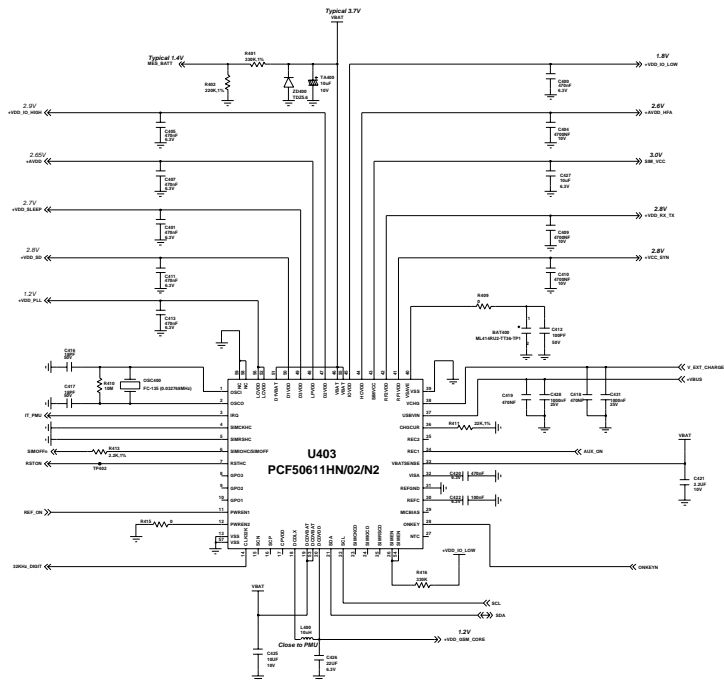
**Camera Key**



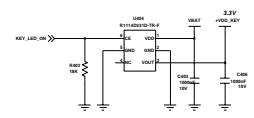
**MAIN KEY Connector**



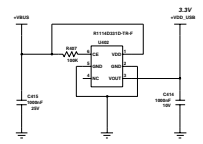
**UME301  
 KAP29VG00M-D444  
 MEMORY**



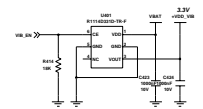
PMU



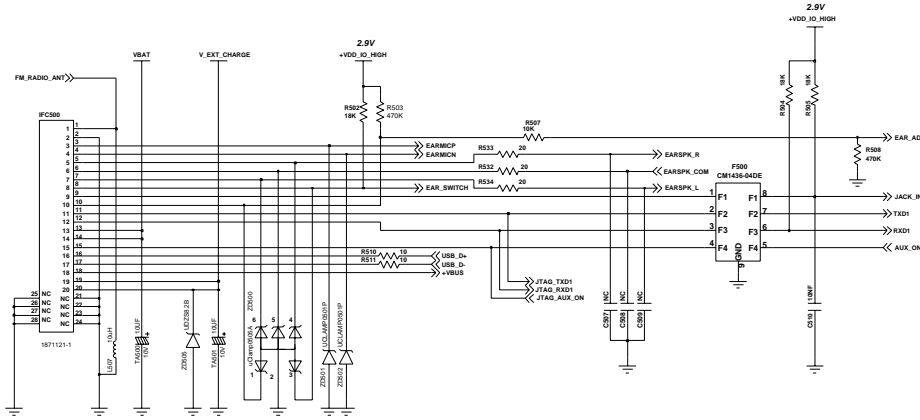
KEY LED LDO



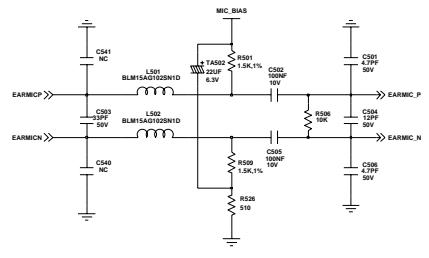
USB POWER



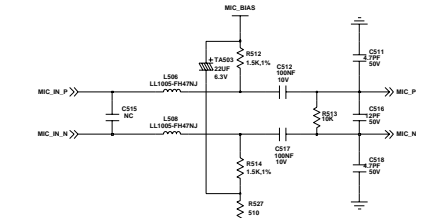
VIB POWER



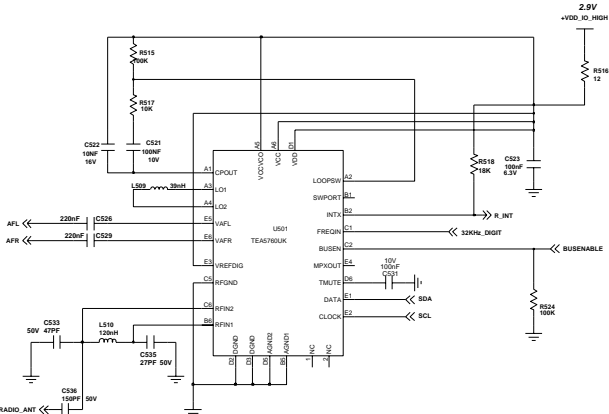
## IF CON & EARJACK



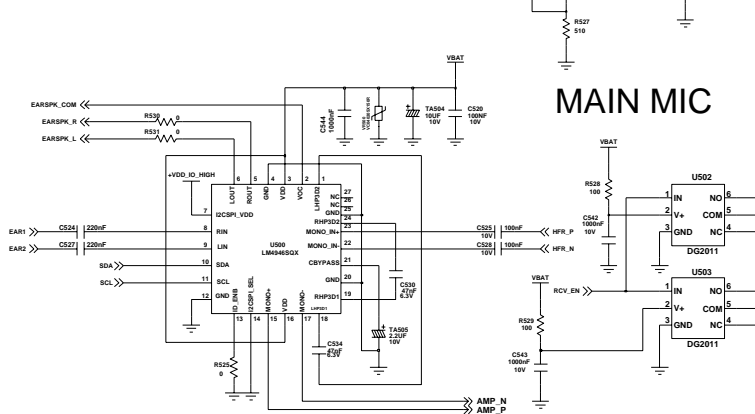
## EAR MIC



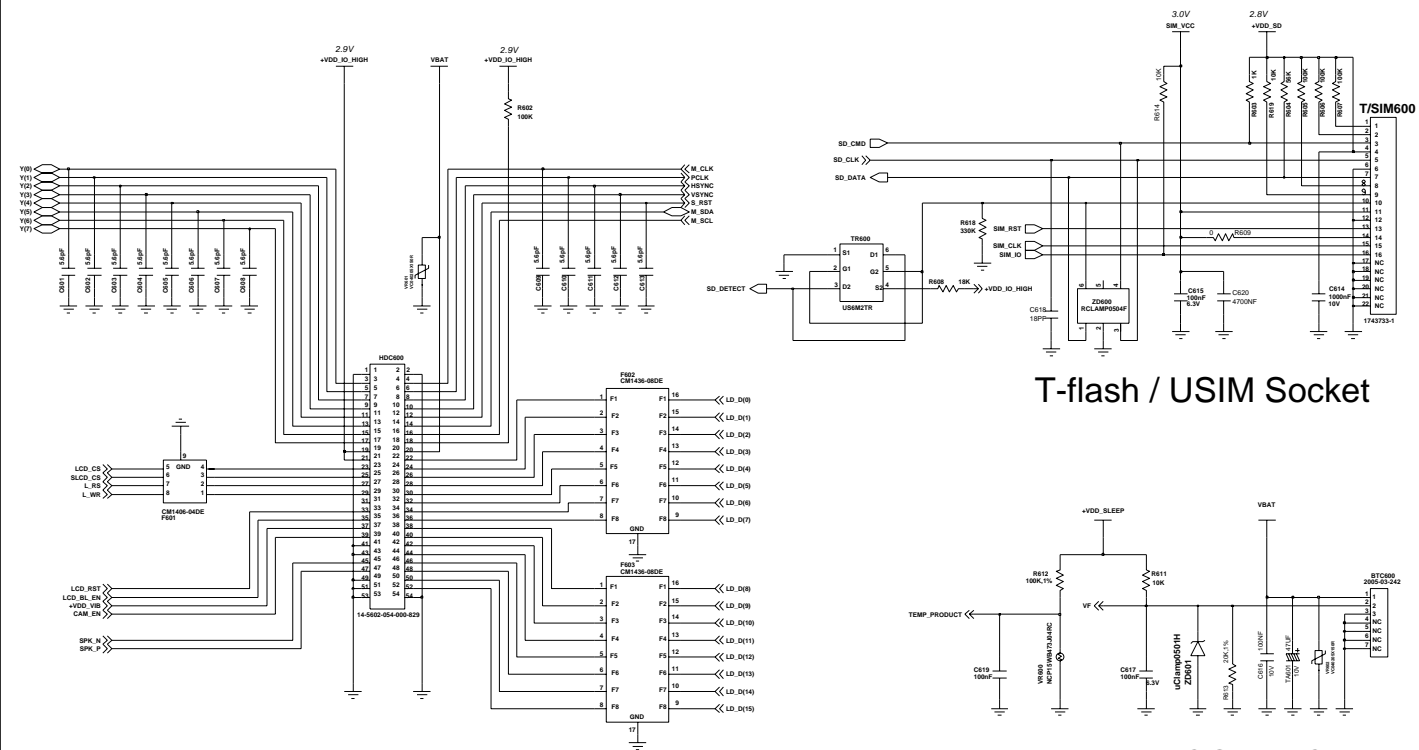
## MAIN MIC



## FM RADIO



## AUDIO AMP



LCD\_CONNECTOR

T-flash / USIM Socket

BATT CONTACT