

S1500				
C526	L501	B603	B605	C527

SOFT1

UP

SOFT2

LEFT

///

RIGHT

SEND

DOWN

END

CLR

D805	Y706
Y700	Y707
Y705	Y704
Y702	Y701
Y703	
Y701	

DIGIT1

DIGIT2

DIGIT3

DIGIT4

DIGIT5

DIGIT6

DIGIT7

TRST ○
TDO ○

DIGIT8

DIGIT9

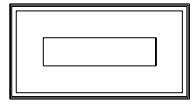
STAR1

TWS ○
RSTON ○
TCK ○
TDO1 ○
HWR_N ○
GND ○

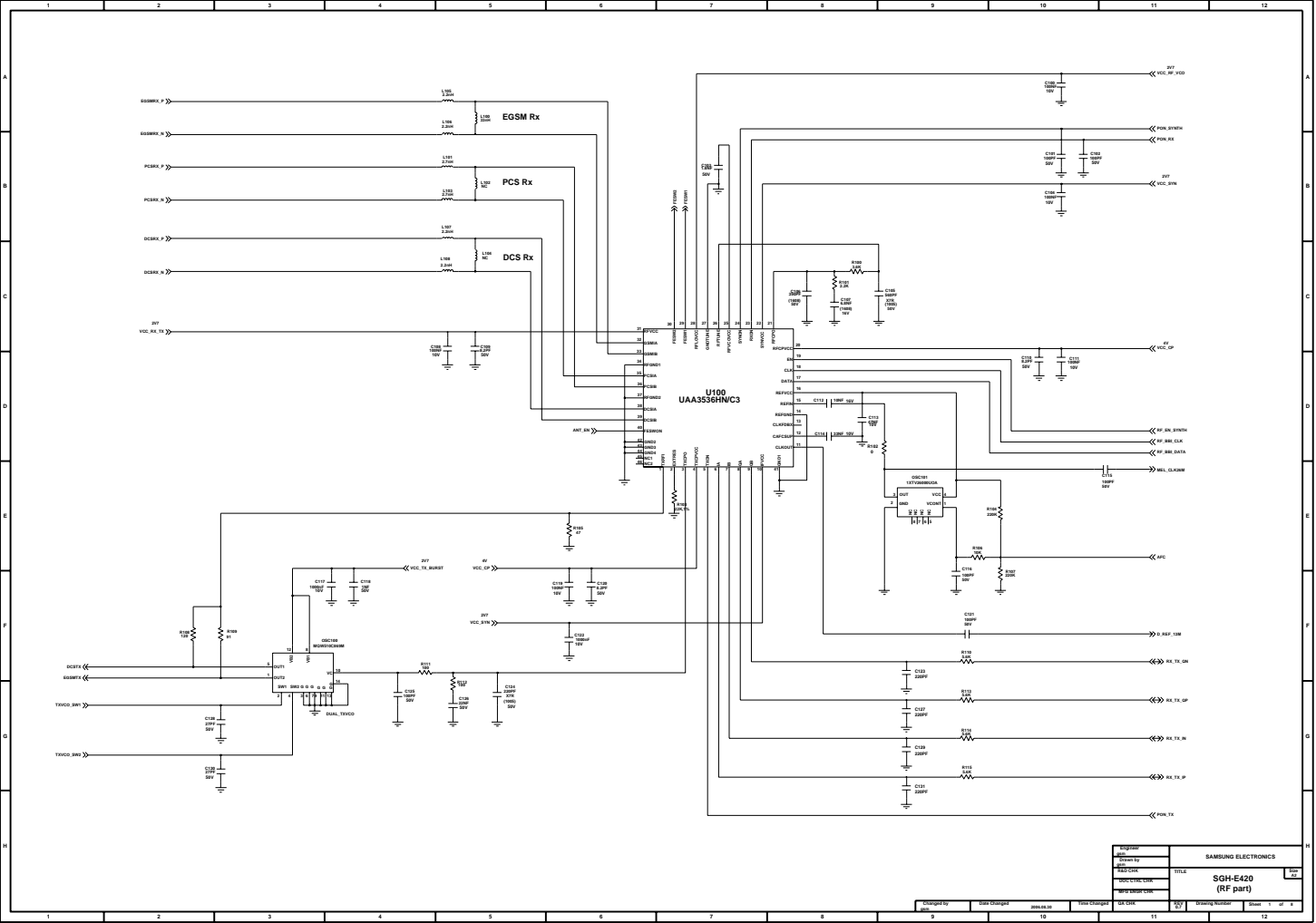
DIGIT0

SHARP1

LED2
R510

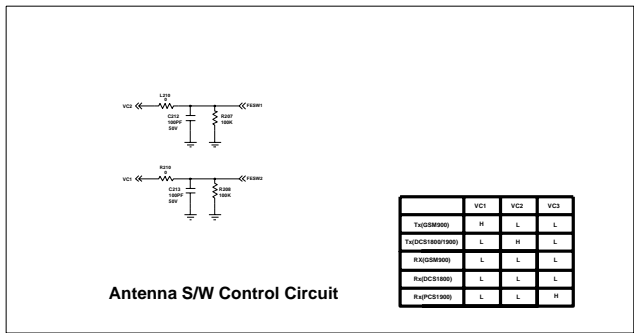
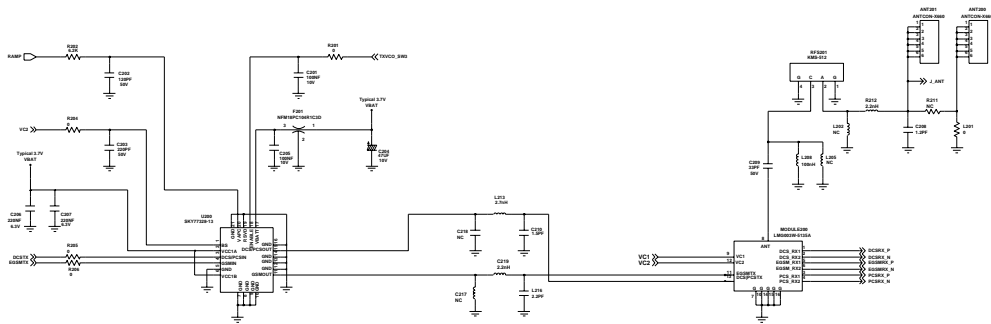


LED1
R511

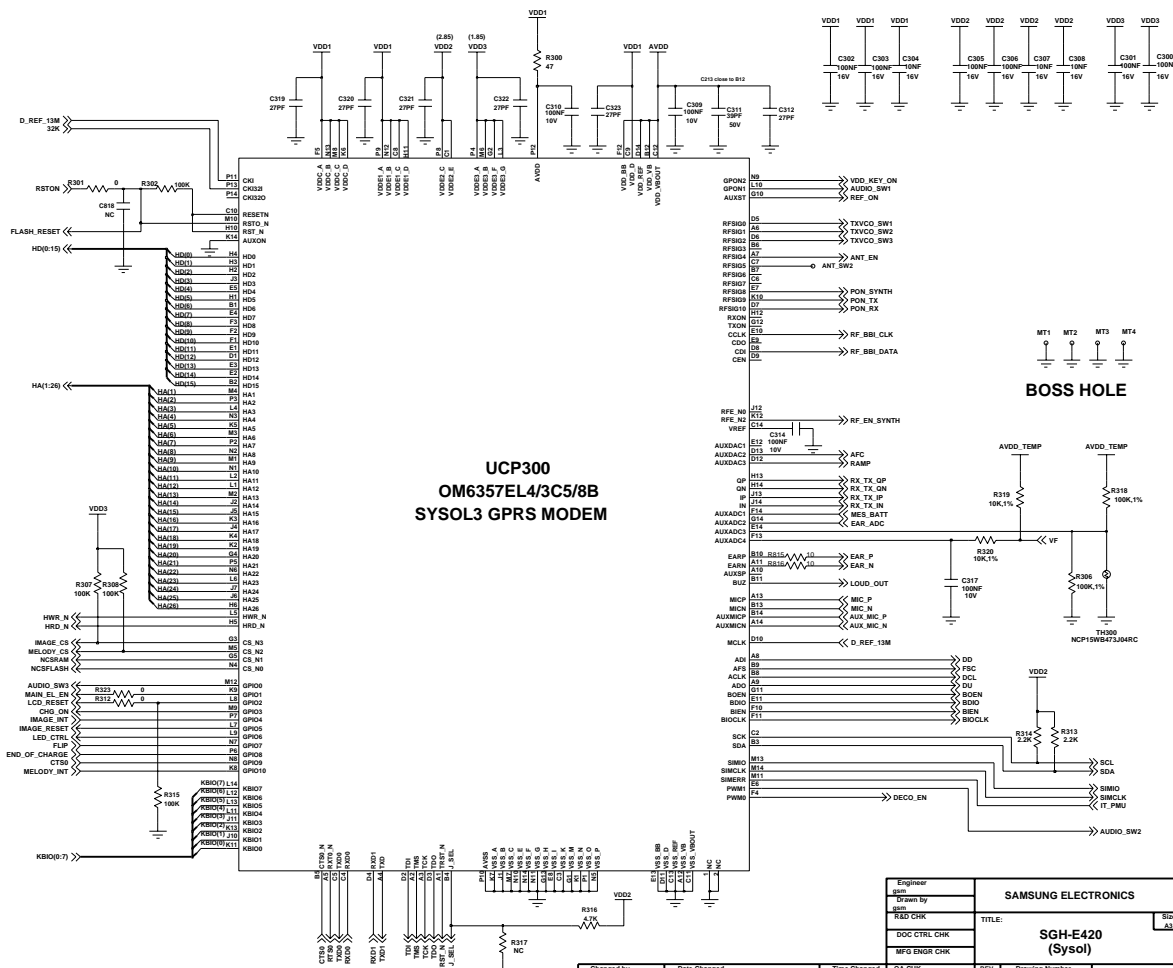


DESIGNER	SAMSUNG ELECTRONICS		
DATE	REV	FILE	REV
DESIGNER	DATE	FILE	REV
DESIGNER	DATE	FILE	REV
DESIGNER	DATE	FILE	REV
DESIGNER	DATE	FILE	REV

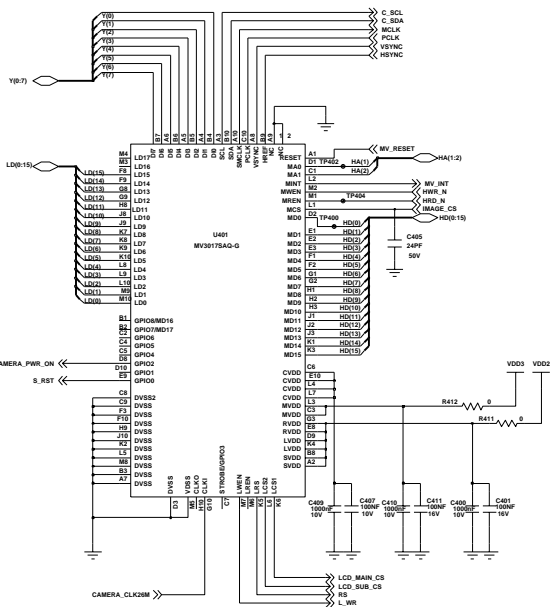
5QH-E420
(RF part)



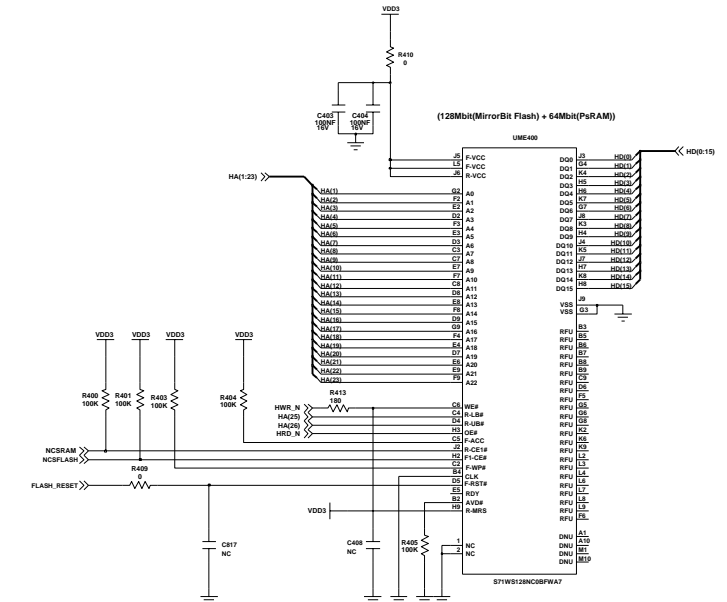
	VCI1	VCI2	VCI3
Tx058(900)	H	L	L
Tx0CS(900/1900)	L	H	L
Rx058(900)	L	L	L
Rx0CS(900)	L	L	L
Rx0PCS(1200)	L	L	H



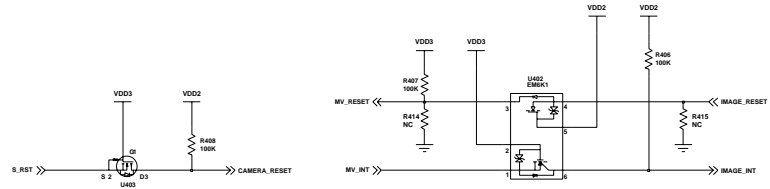
Engineer	DATE	SAMSUNG ELECTRONICS	SGH-E420 (SySol)	Sheet 3 of 8
Drawn by	REV			
ECN CHK	TITLE:			
DWG CTRL CHK	REV ELY			
MFG BDRG CHK	Drawing Number			
Changed by	Date Changed	2006.08.30	Time Changed	GA CHK



CAMERA CHIP

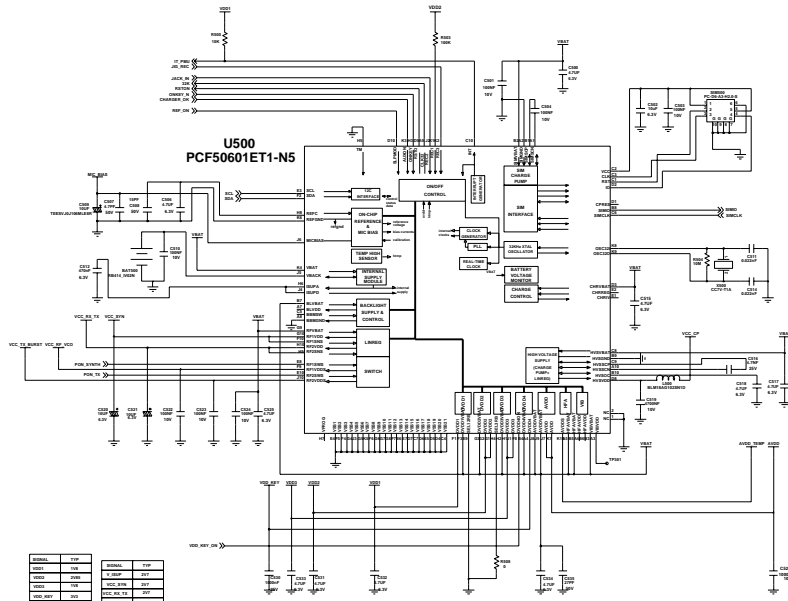


MEMORY



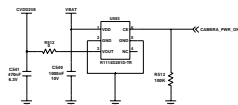
LEVEL SHIFT

Engineer SUN	SAMSUNG ELECTRONICS		
Drawn by SUN	TITLE: SGH-E420		
Rev'd Chk SUN	MFG'S BDRW Chk		
Doc CTRL Chk SUN	REV: 2.7		
MFG'S BDRW Chk SUN	Drawing Number	Sheet	4 of 4

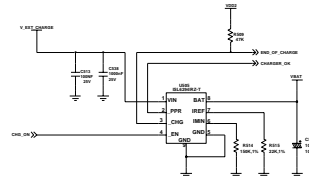


POWER MANAGEMENT UNIT(PMU IC)

REF ID	VALUE	REF ID	VALUE
U500	U500	R645	100K
U501	U501	R646	100K
U502	U502	R647	100K
U503	U503	R648	100K
U504	U504	R649	100K
U505	U505	R650	100K
U506	U506	R651	100K
U507	U507	R652	100K
U508	U508	R653	100K
U509	U509	R654	100K
U510	U510	R655	100K
U511	U511	R656	100K
U512	U512	R657	100K
U513	U513	R658	100K
U514	U514	R659	100K
U515	U515	R660	100K
U516	U516	R661	100K
U517	U517	R662	100K
U518	U518	R663	100K
U519	U519	R664	100K
U520	U520	R665	100K
U521	U521	R666	100K
U522	U522	R667	100K
U523	U523	R668	100K
U524	U524	R669	100K
U525	U525	R670	100K
U526	U526	R671	100K
U527	U527	R672	100K
U528	U528	R673	100K
U529	U529	R674	100K
U530	U530	R675	100K
U531	U531	R676	100K
U532	U532	R677	100K
U533	U533	R678	100K
U534	U534	R679	100K
U535	U535	R680	100K
U536	U536	R681	100K
U537	U537	R682	100K
U538	U538	R683	100K
U539	U539	R684	100K
U540	U540	R685	100K
U541	U541	R686	100K
U542	U542	R687	100K
U543	U543	R688	100K
U544	U544	R689	100K
U545	U545	R690	100K
U546	U546	R691	100K
U547	U547	R692	100K
U548	U548	R693	100K
U549	U549	R694	100K
U550	U550	R695	100K



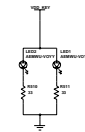
CAMERA POWER



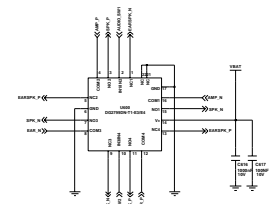
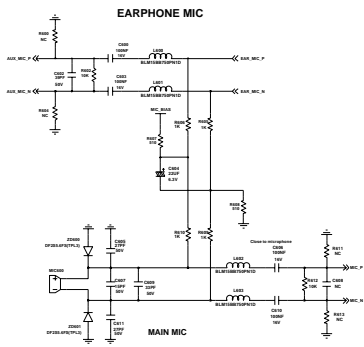
CHARGER IC



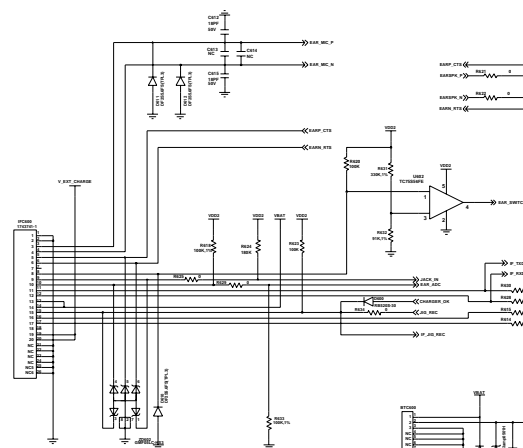
FLIP



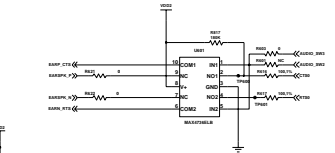
KEY LED



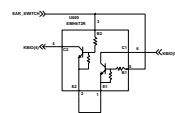
EARPHONE or SPEAKER SWITCH



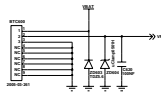
IO CONNECTOR
EARPHONE



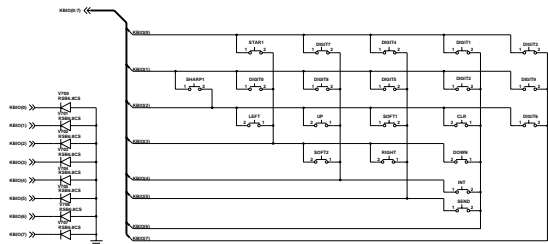
EARSPK or UART SWITCH



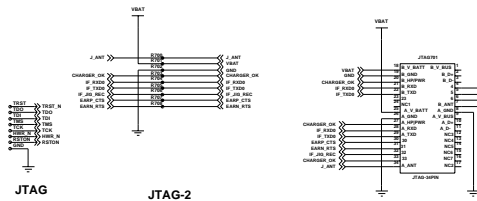
EARPHONE SWITCH



DESIGNED BY	DATE DESIGNED	REVISED BY	DATE REVISED
DRG 000	01/01/00	DRG 000	01/01/00
DESIGNED BY	DATE DESIGNED	REVISED BY	DATE REVISED
DRG 000	01/01/00	DRG 000	01/01/00
DESIGNED BY	DATE DESIGNED	REVISED BY	DATE REVISED
DRG 000	01/01/00	DRG 000	01/01/00

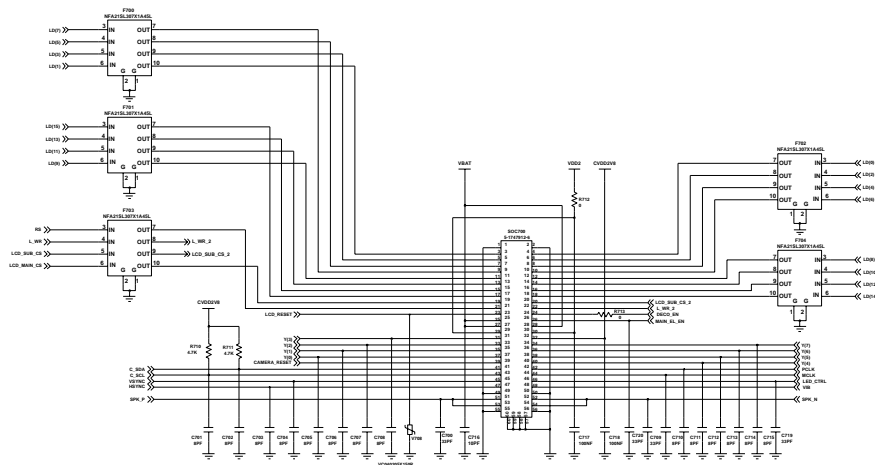


MAIN KEY MAP

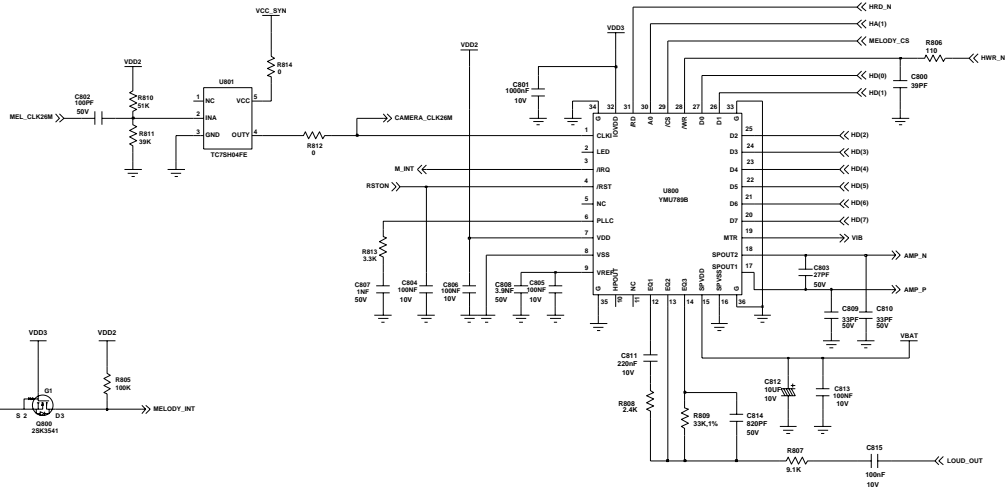


JTAG

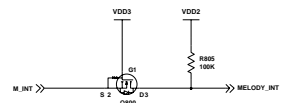
JTAG-2



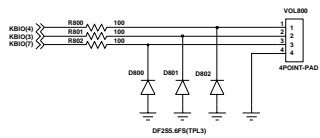
LCD CONNECTOR



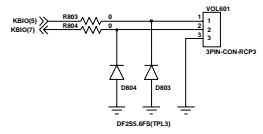
MELODY IC



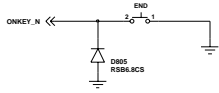
SIDE_KEY



CAMERA_KEY



POWER KEY



Engineer sun	SAMSUNG ELECTRONICS		
Drawn by RBD	TITLE: SGH-E420 (Melody)		
CHK DGC	REV 0.7	Drawing Number	Sheet 1 of 1
CHK MFG	DATE 2004.08.30	Time Changed	GA CHK