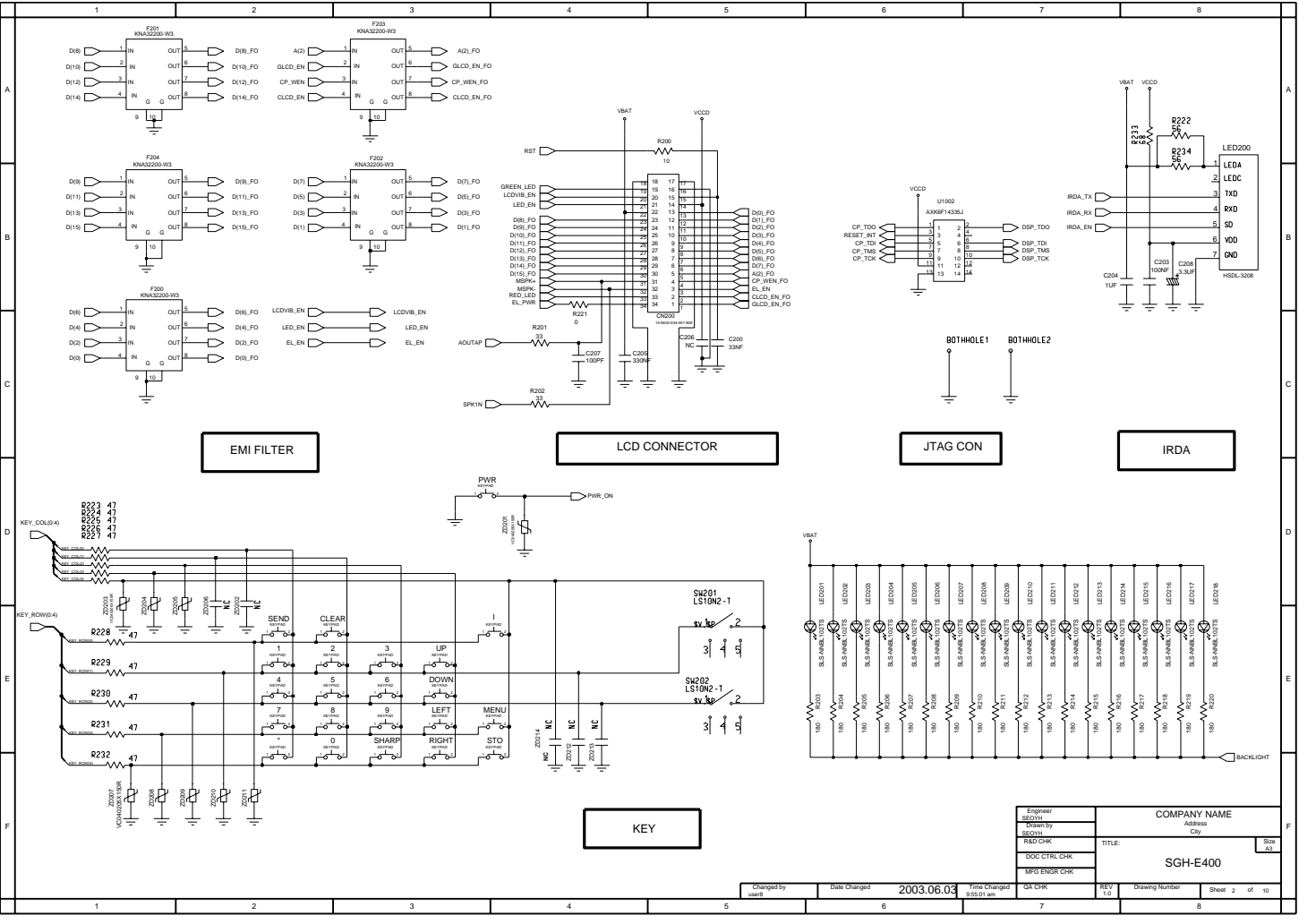
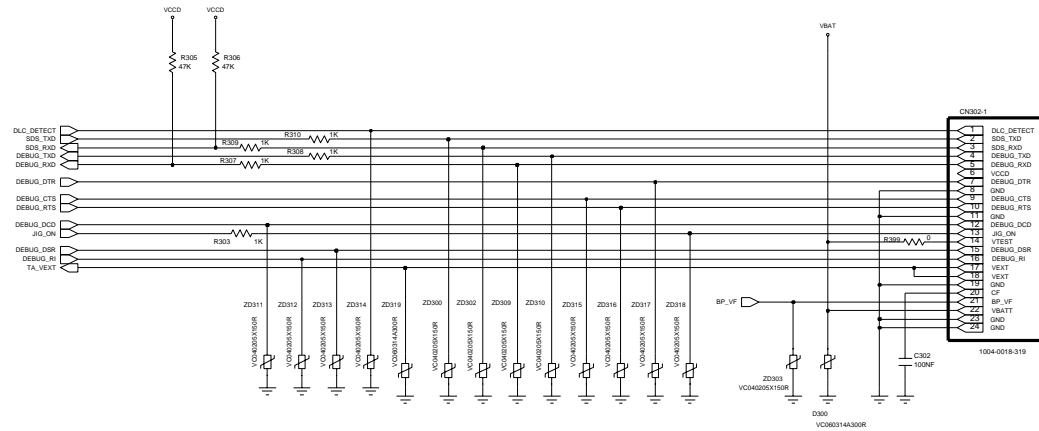


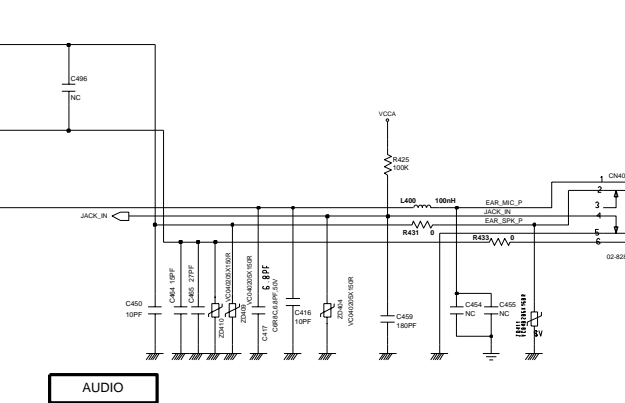
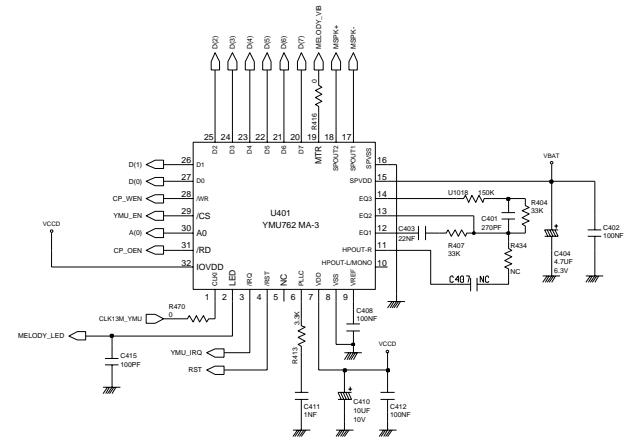
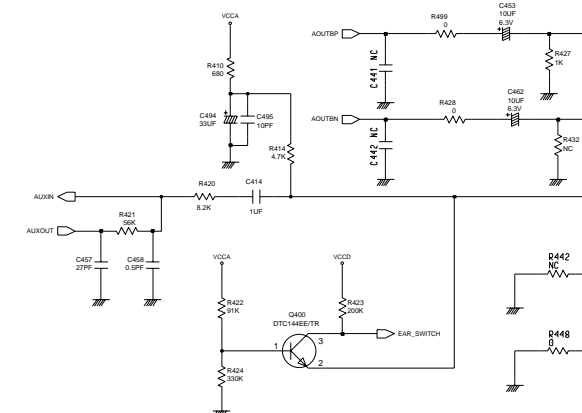
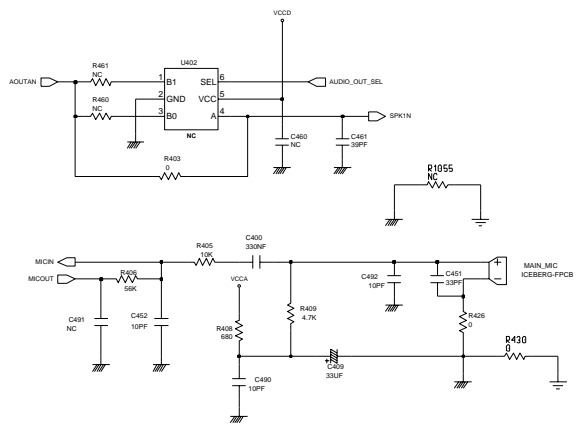
Engineer SIZEM	Address SIZEM	COMPANY NAME	Site 53
Drawn by SIZEM	Address SIZEM		
R&D CHK	TITLE:	SGH-E400	Sheet 1 of 10
DOC CTRL CHK			
MFG ENGR CHK			





I/F CONNECTOR

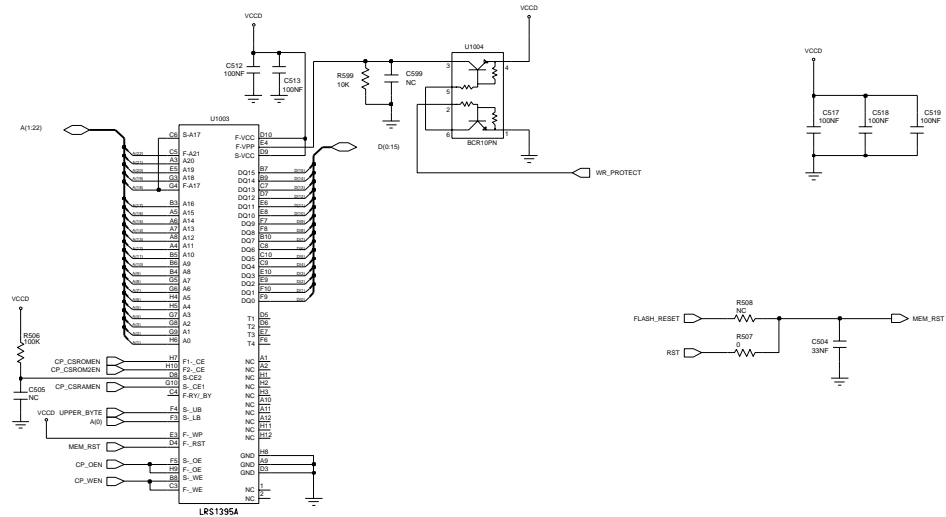
Engineer SBD/DM	COMPANY NAME Address City	Site No.
Drawn by SBD/DM		
RAD CHK	TITLE:	SGH-E400
DOC CTRL CHK		
MFG ENGR CHK		



AUDIO

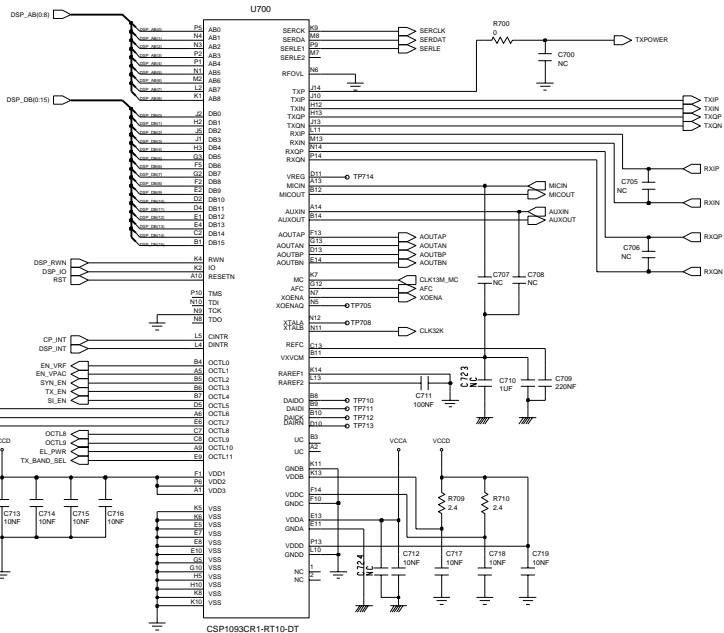
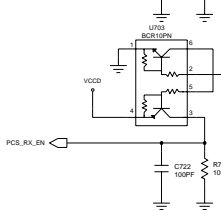
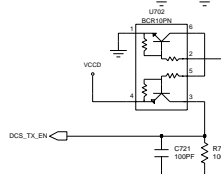
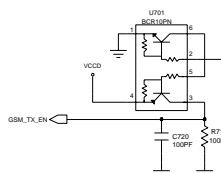
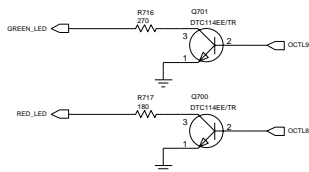
Engineer SSTOM	COMPANY NAME	Site 53
Drawn by SSTOM	Address Cty	
RAD CHK	TITLE:	
DOC CTRL CHK		SGH-E400
MFG ENGR CHK		

Changed by sast	Date Changed 2003.06.03	Time Changed 9:52:47 am	DA CHK	REV 1.0	Drawing Number	Sheet 4 of 10
--------------------	----------------------------	----------------------------	--------	------------	----------------	---------------



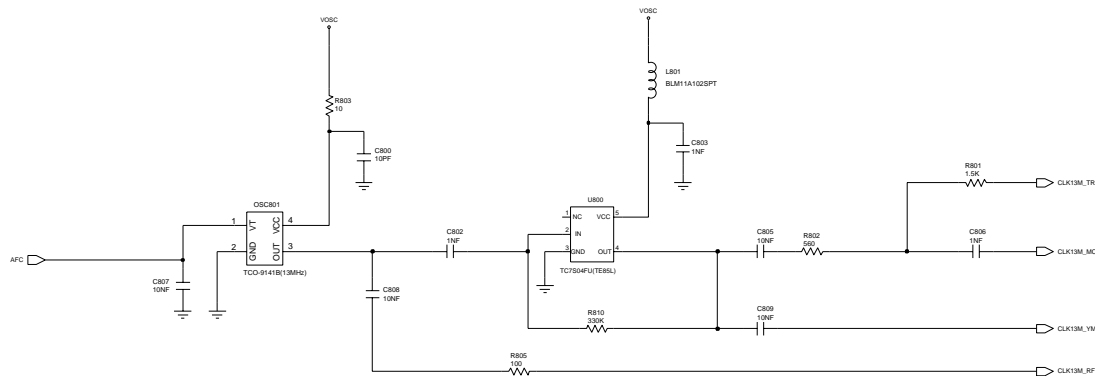
MEMORY

Engineer SEIZON	COMPANY NAME	Site 33
Drawn by SEIZON	Address City	
R&D CHK	TITLE:	
DOC CTRL CHK	SGH-E400	
MFG ENGR CHK		



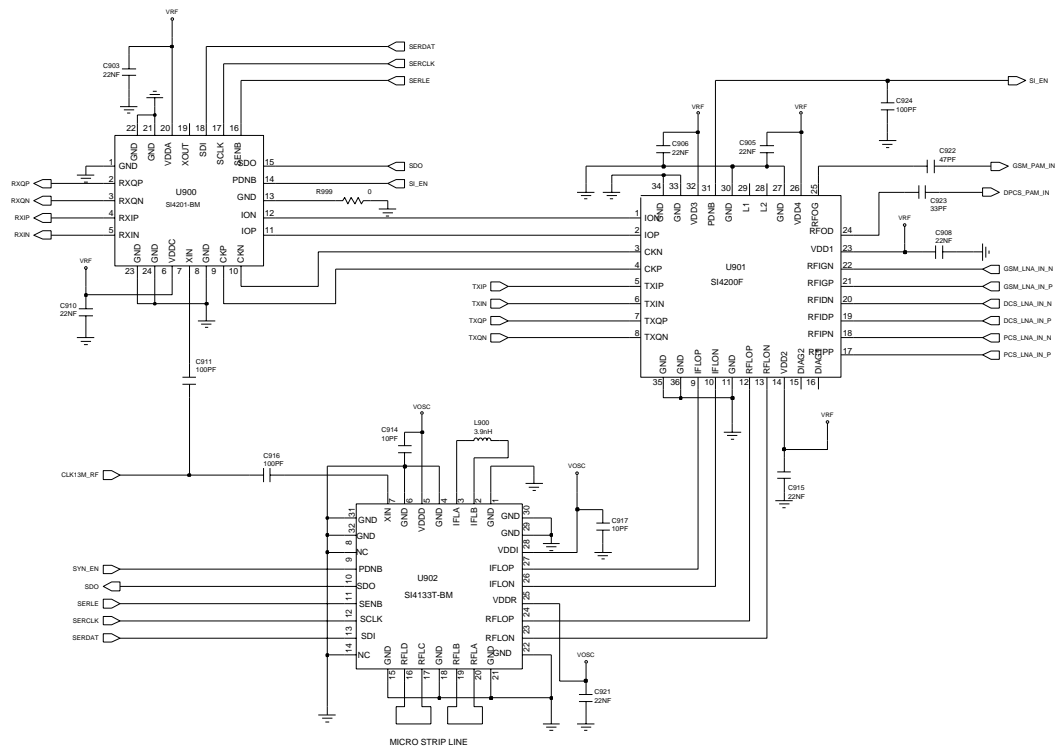
CSP1093

Engineer SIZON	COMPANY NAME	Site 53
Drawn by SIZON	Address Cty	
RAD Chk	TITLE:	
DOC CTRL CHR	SGH-E400	
MFG ENGR CHR		



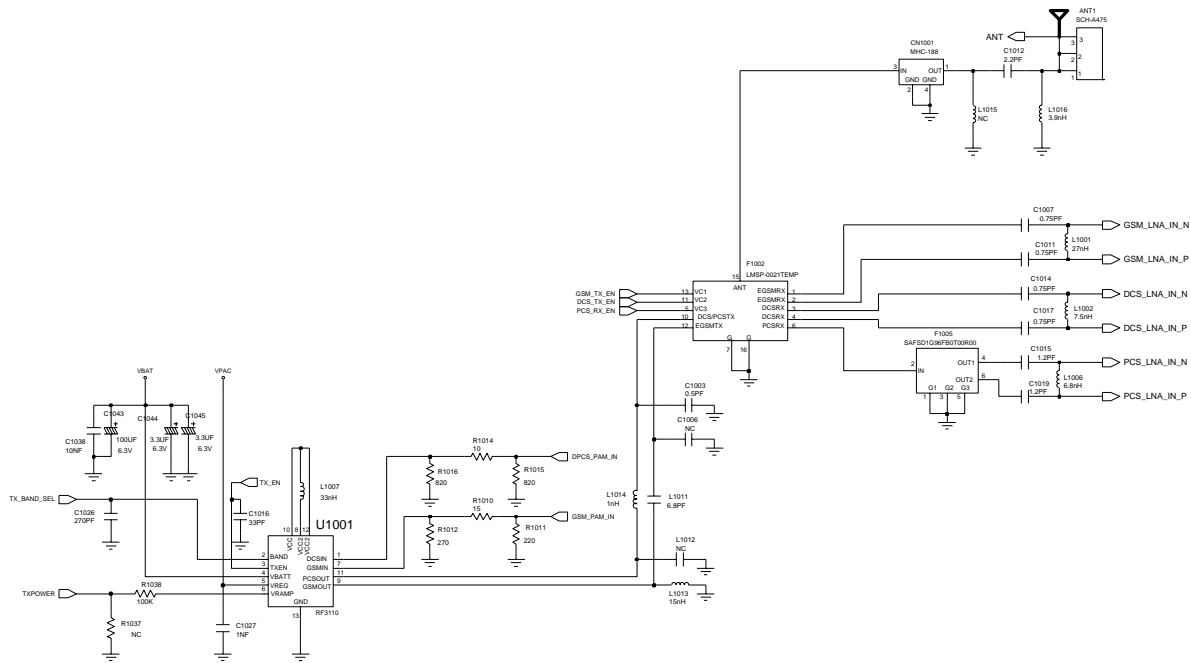
X-TAL(13MHz)

Engineer SIZEM	COMPANY NAME	
Drawn by SIZEM	Address City	
R&D Chk	TITLE:	Site No.
DOC CTRL CHK	SGH-E400	
MFG ENGR CHK		



SI-LAB

Engineer SIZOM	COMPANY NAME	Sheet 53
Drawn by SIZOM	Address City	
R&D CHK	TITLE:	
DOC CTRL CHK		
MFG ENGR CHK		
	SGH-E400	



TRANSMITTER & RECEIVER

Engineer SEBOW	COMPANY NAME	
Drawn by SEBOW	Address City	
R&D CHK	TITLE:	Site 53
DOC CTRL CHK	SGH-E400	
MFG ENGR CHK		