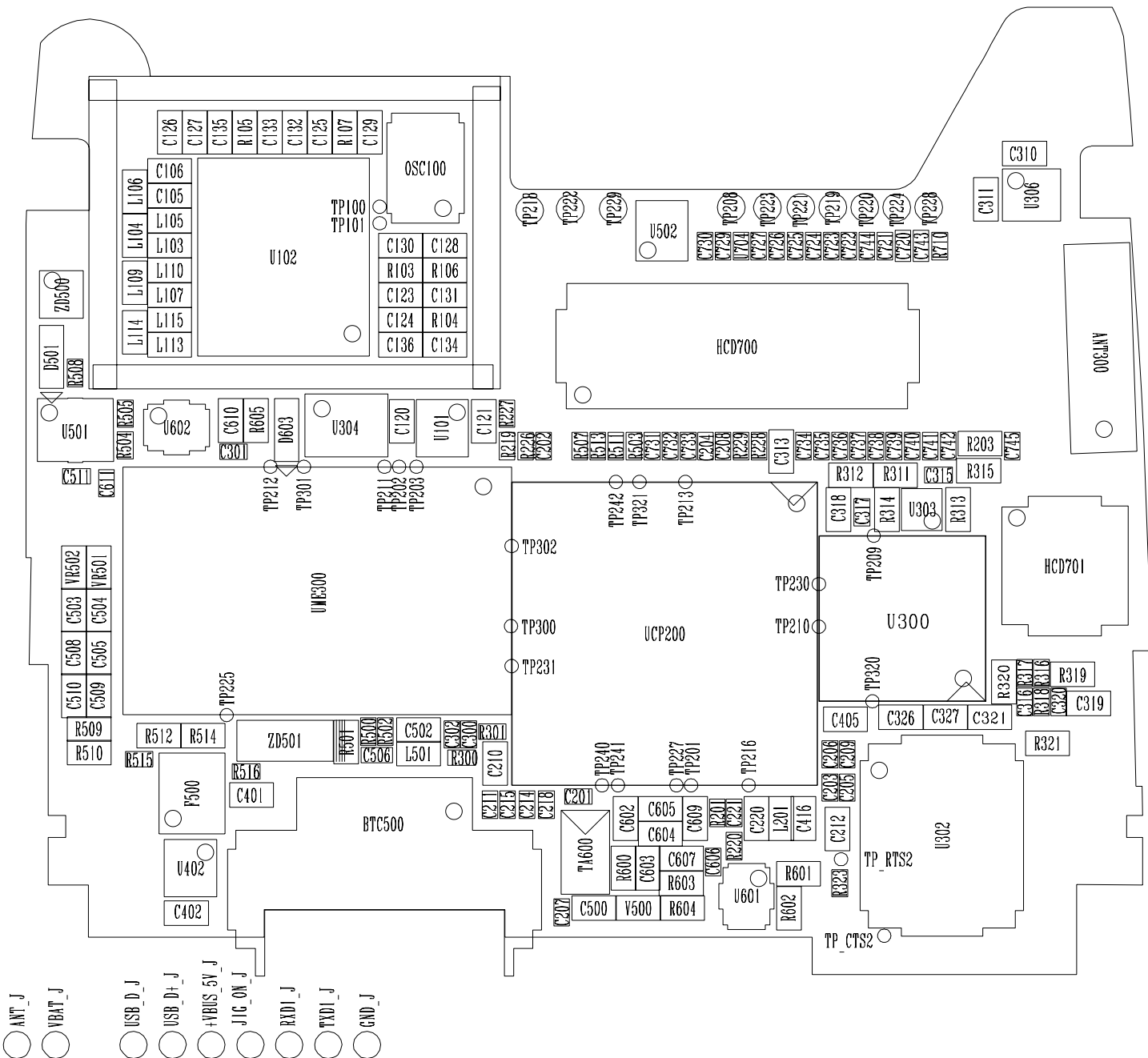
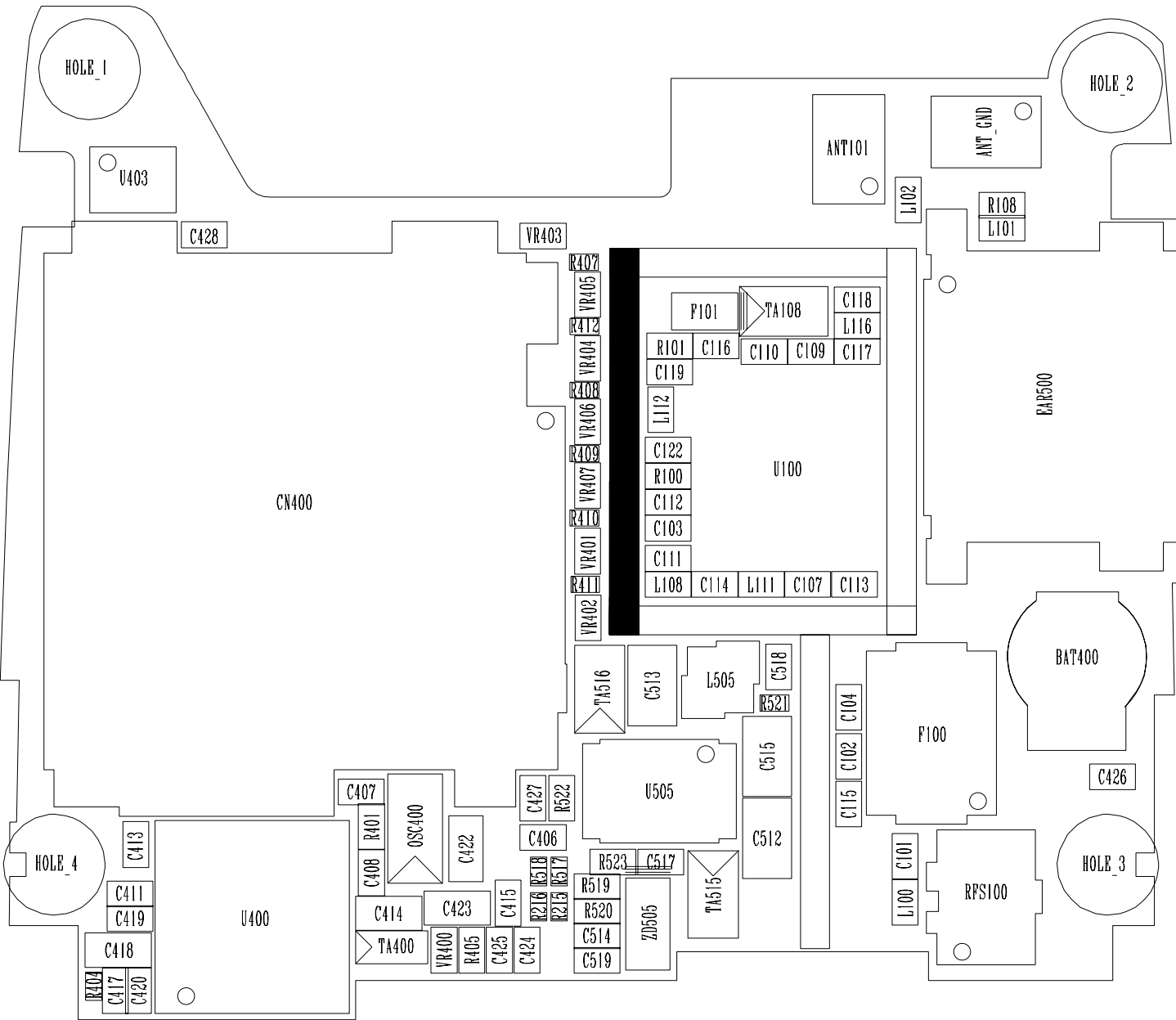
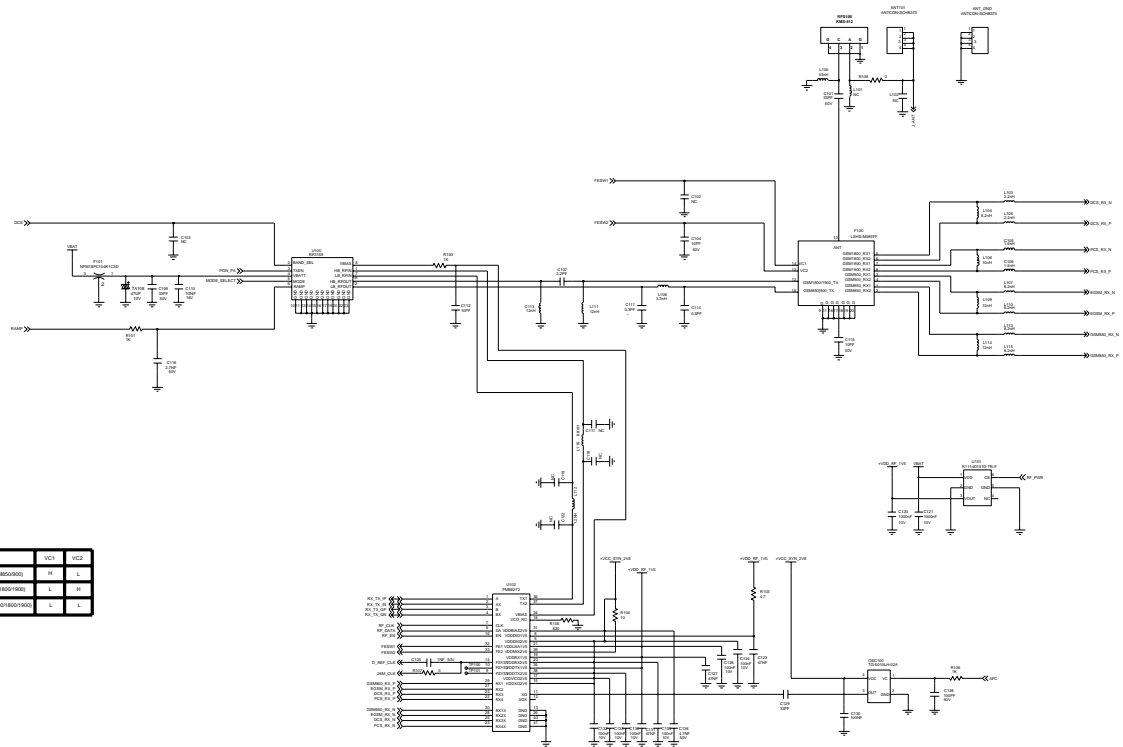


# ASSY1

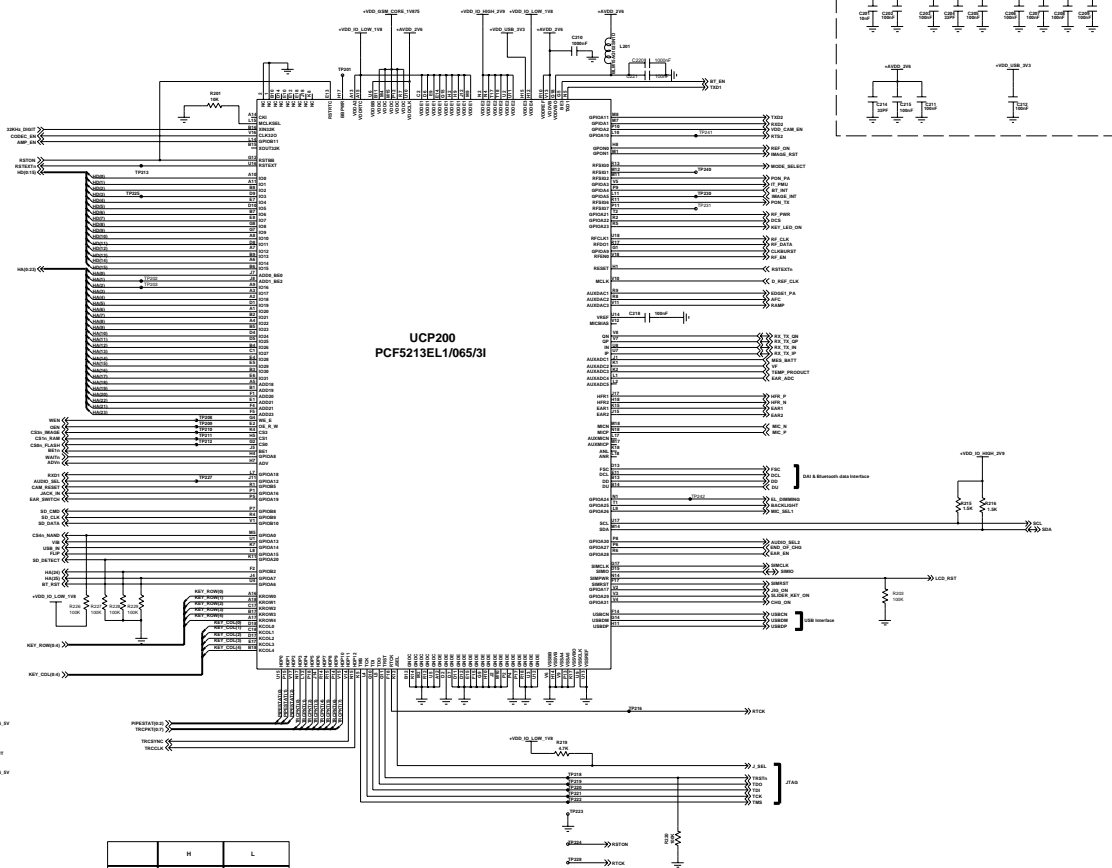


# ASSY2

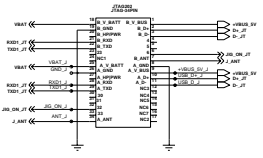




	VCC1	VCC2
Tu2GD88500000	PH	L
Tu2GD88500000	L	PH
Tu2GD88500000	L	L

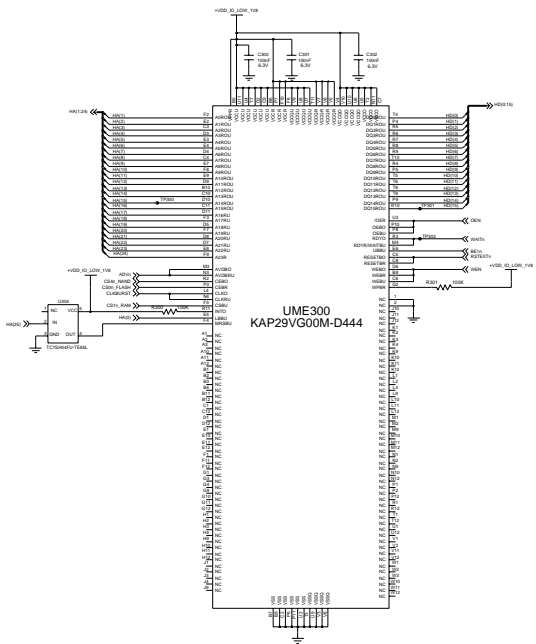


**UCP200  
PCF5213EL1/065/31**

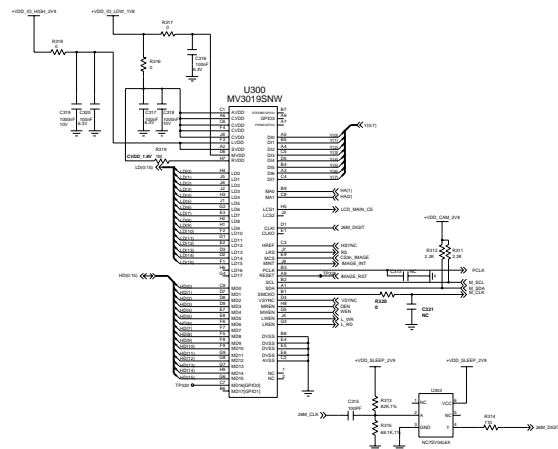


**J-TAG 34 PINS**

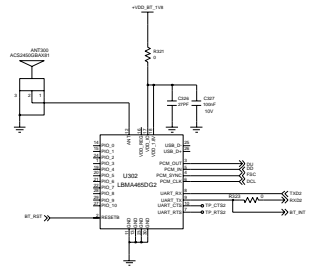
	H	L
J_SEL	ARMED	DSP
TST	TRACE	NORMAL



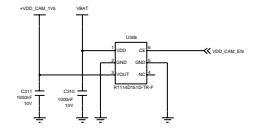
**MEMORY(256/256/128)**



**IMAGE\_DSP**

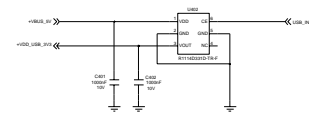


**BLUE\_TOOTH**

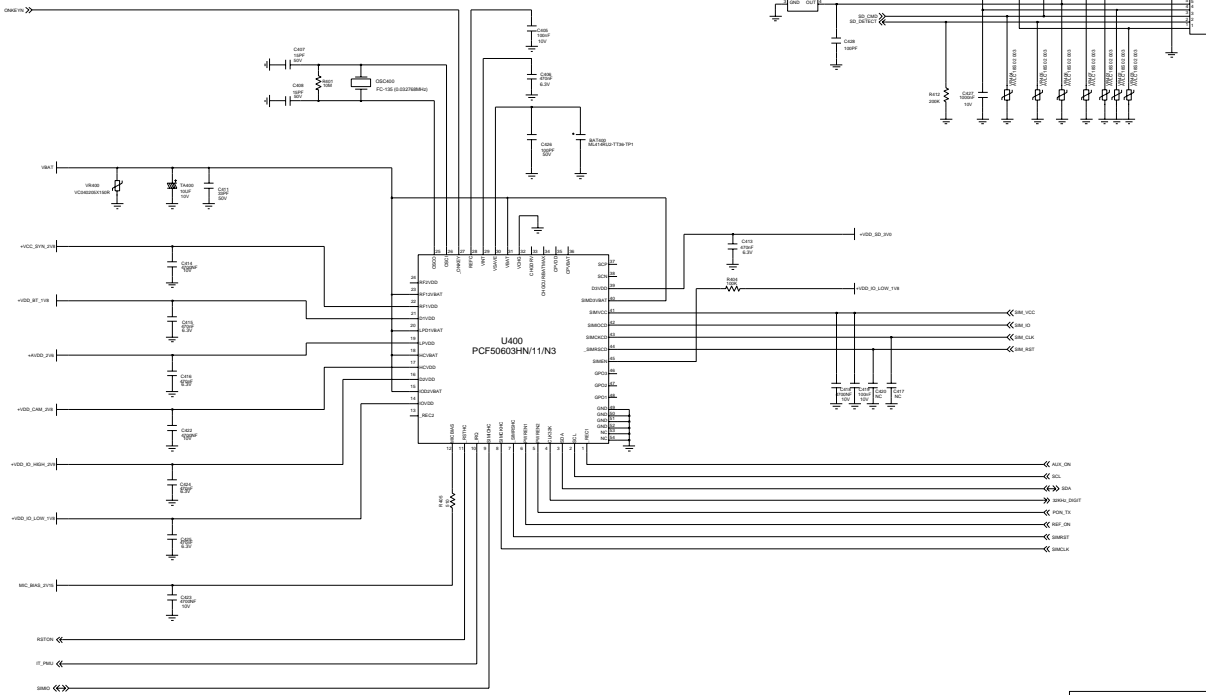
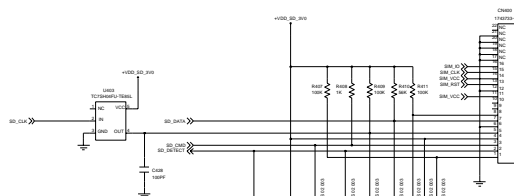


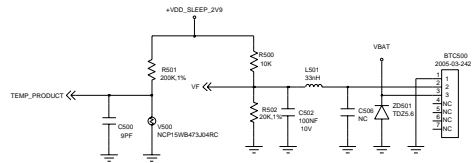
**CAMERA\_LDO**

# LDO

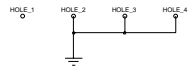


# SIM & T-FLASH

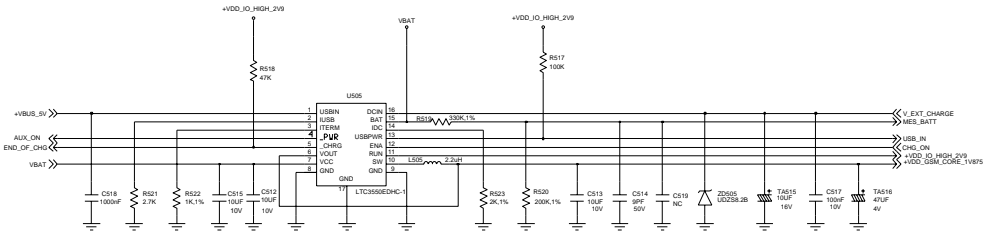
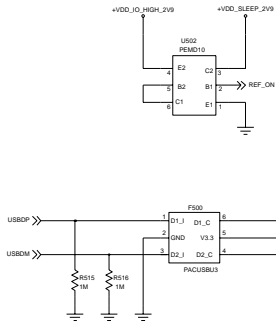
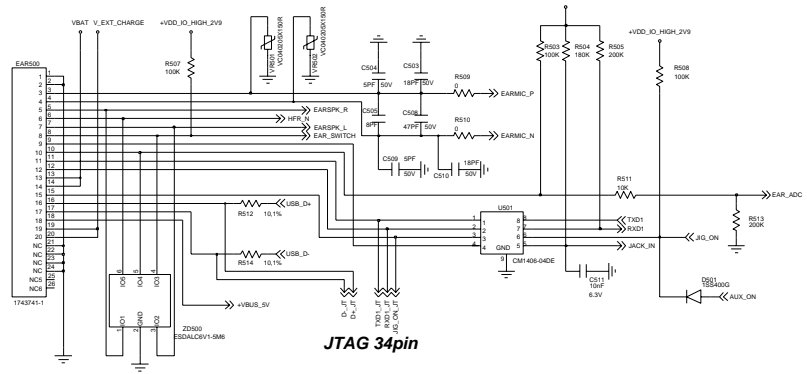




**PCB HOLE**

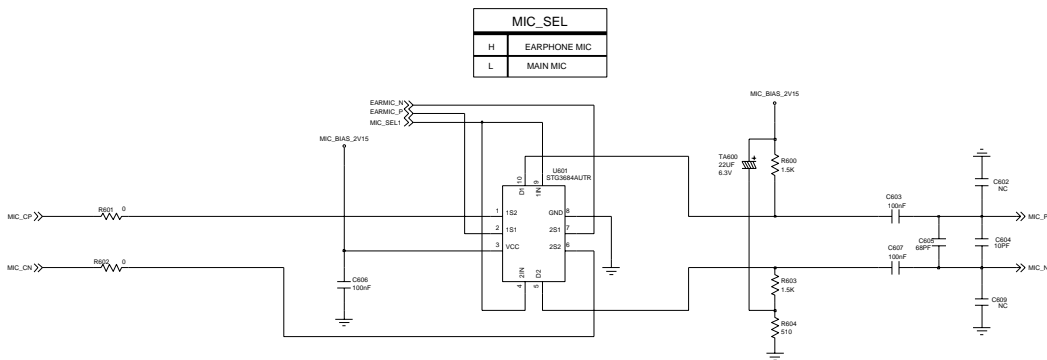


**IF & EARJACK 20pin(reverse type)**

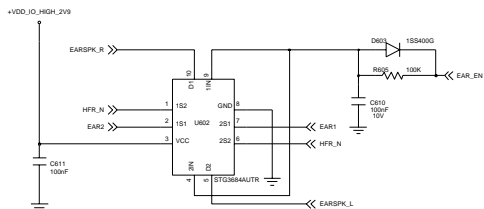


**BATTERY CHARGING & DC/DC Down Converter(1.875Volt)**

Title	IF Connector & Charging Schematic	
Size	Document Number	Rev
A3	SAMSUNG/SGH-E390B.B1F & CHARGING	0.9
Date:	Sheet	5 of 8

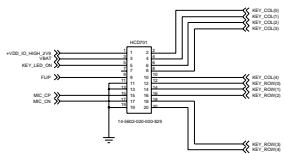


## MICROWINDUPTR

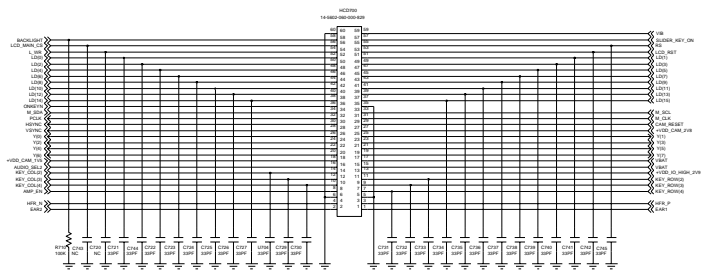


## STC638H4U1TR





**KEY\_CONNECTOR**



**LCD\_CONNECTOR**