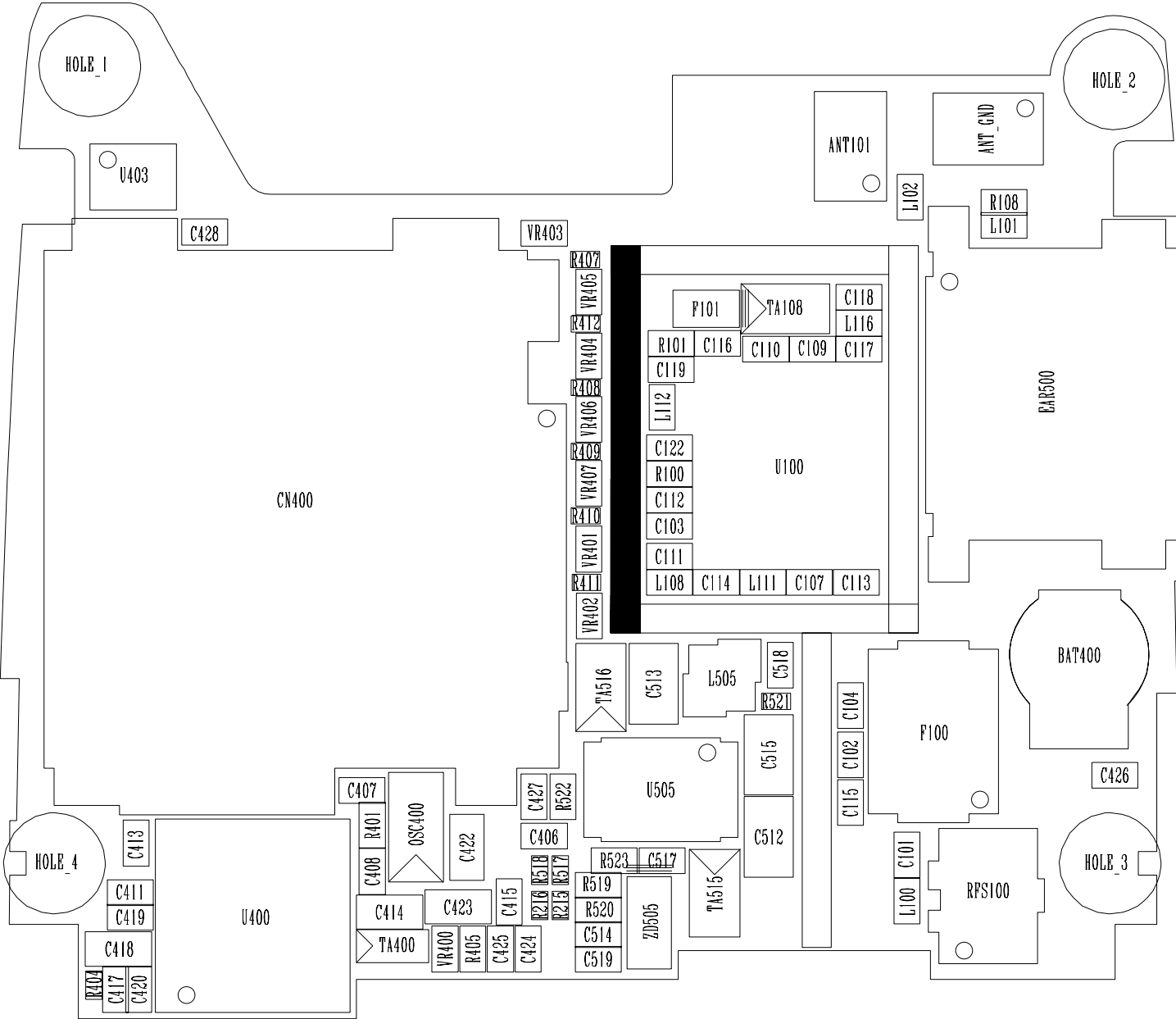
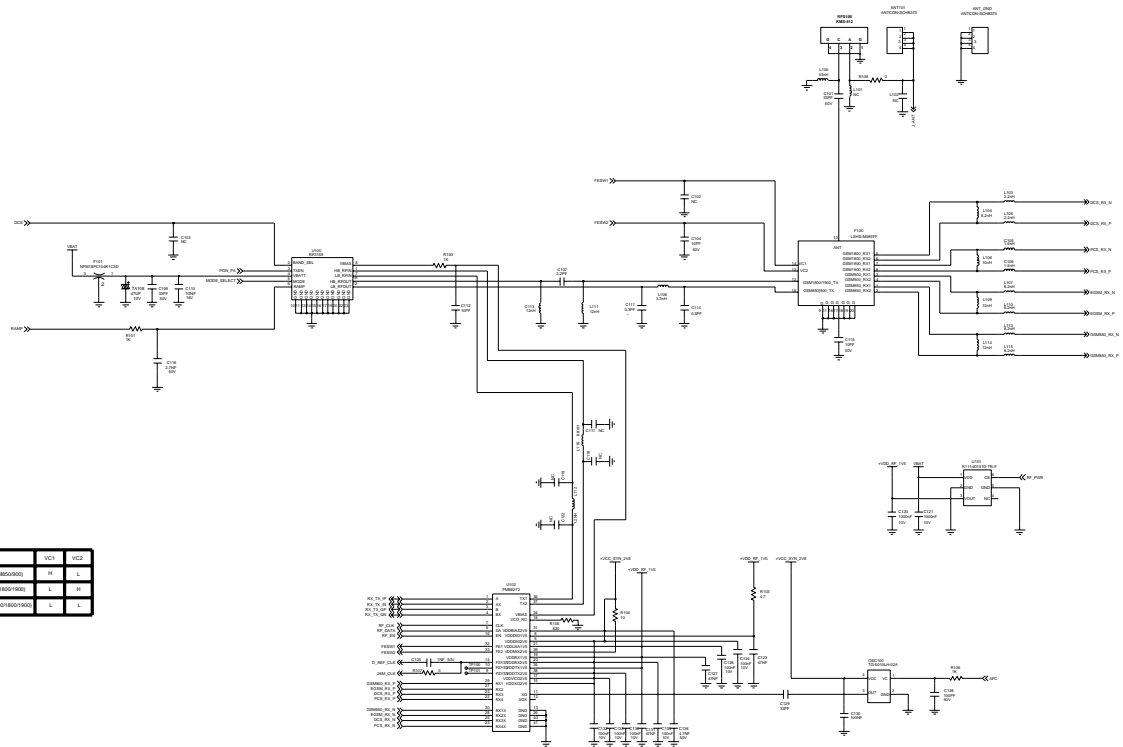
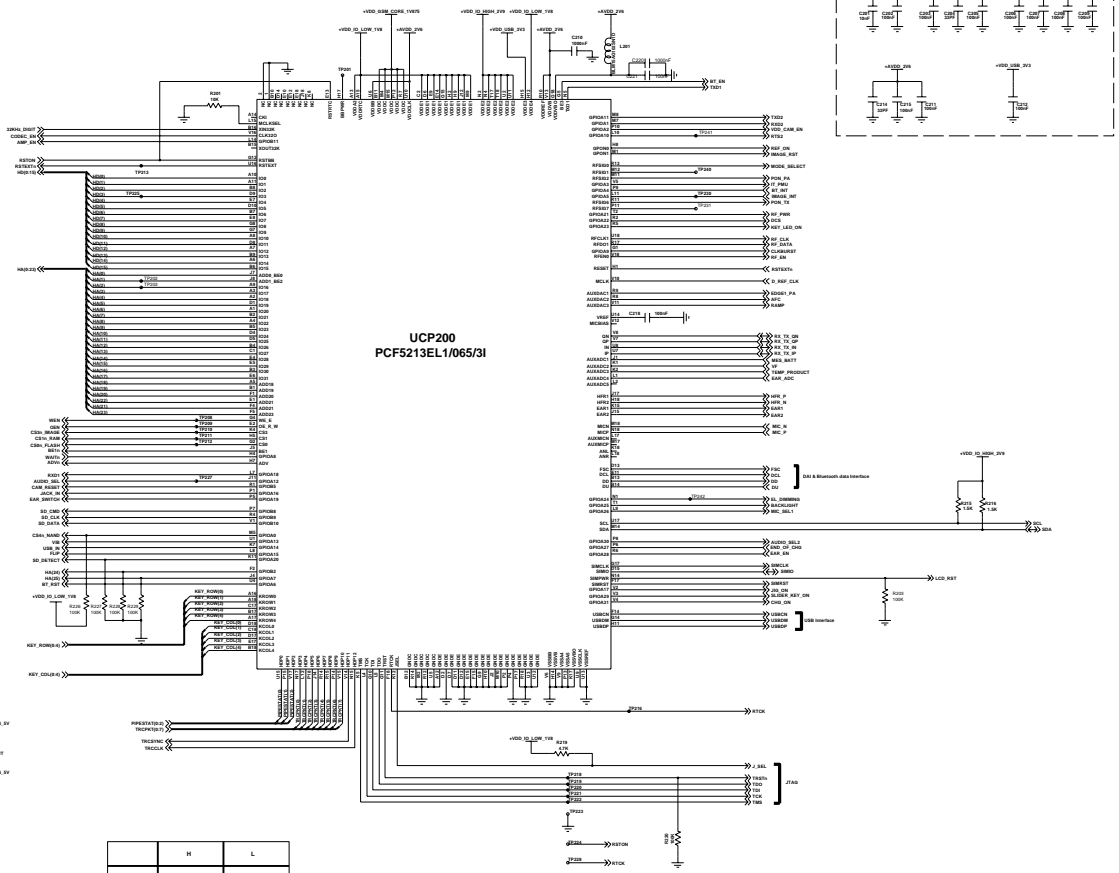


ASSY2

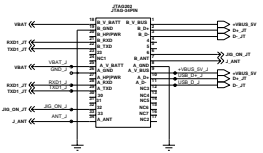
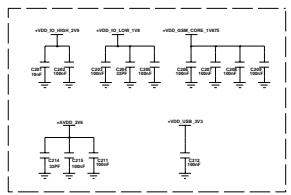




	VCC1	VCC2
Tu2GD88500000	PH	L
Tu2GD88500000	L	PH
Tu2GD88500000	L	L

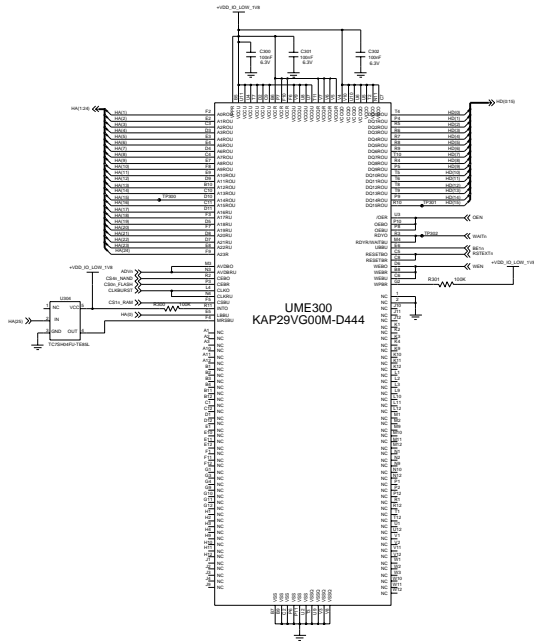


UCP200
 PCF5213EL1/065/31

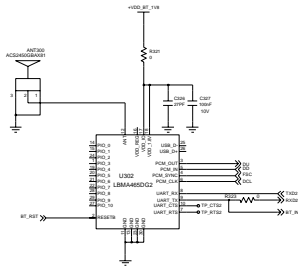


J-TAG 34 PINS

	H	L
J_SEL	ARM	DISP
TRST	TRACE	NORMAL

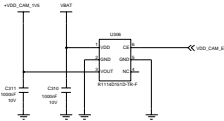
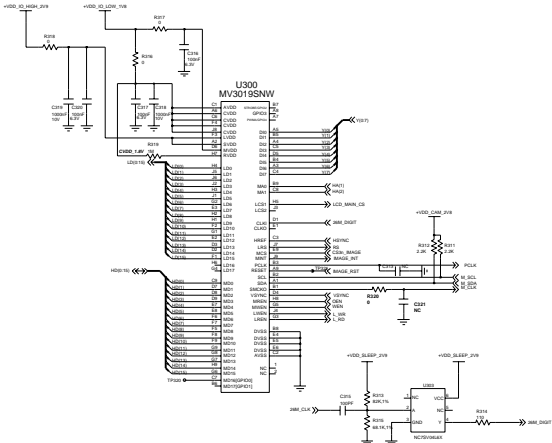


MEMORY(256/256/128)



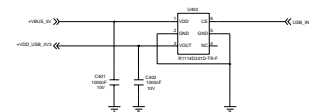
BLUE_TOOTH

IMAGE_DSP

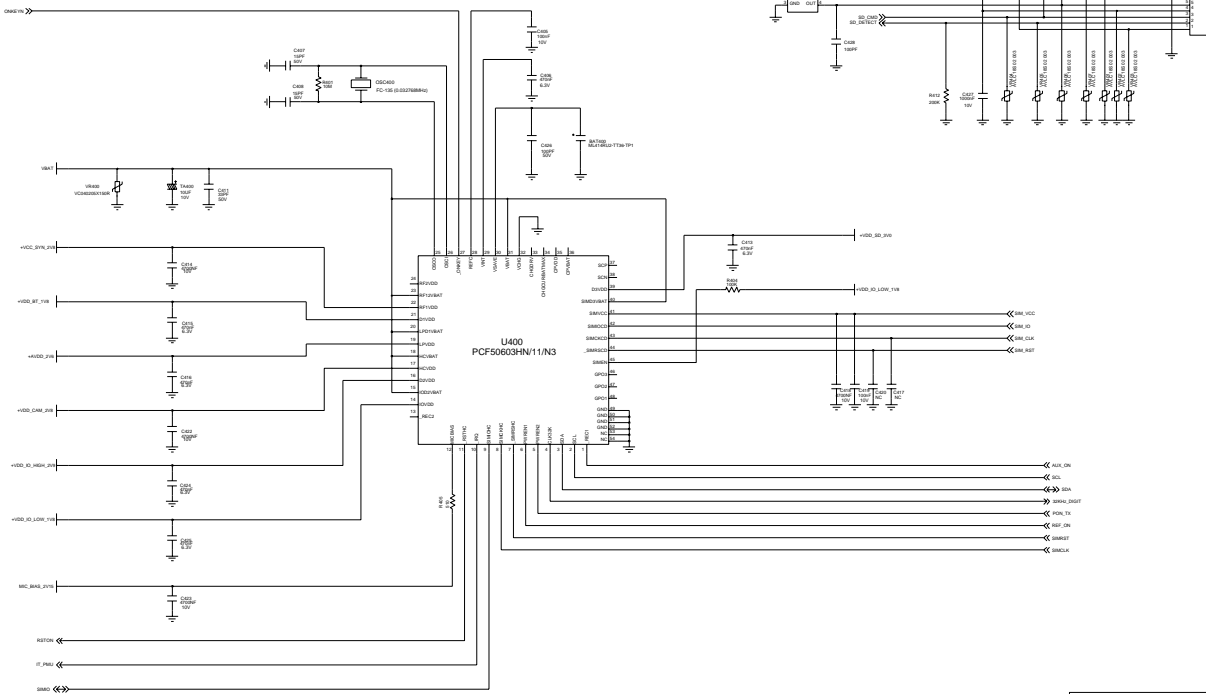
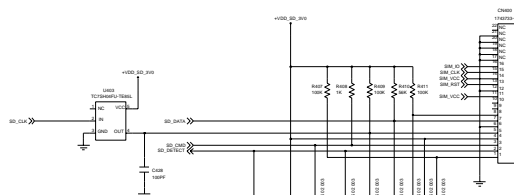


CAMERA_LDO

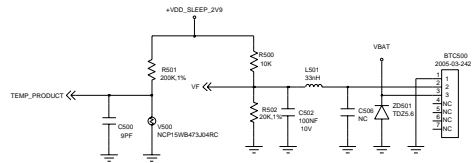
LDO



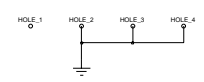
SIM & T-FLASH



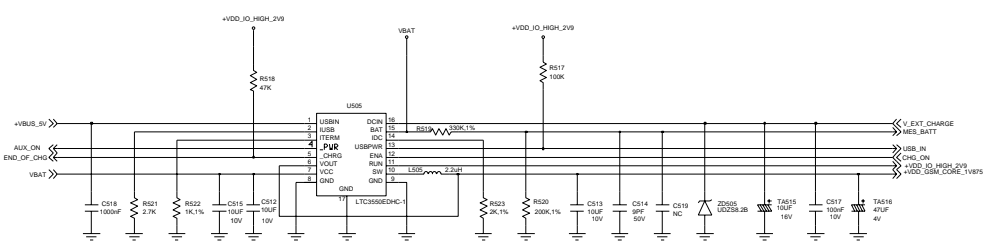
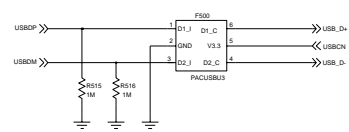
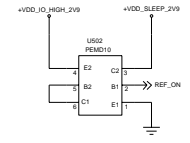
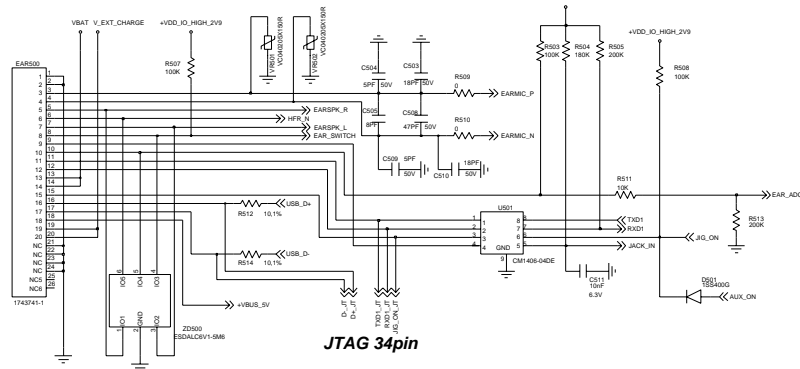
VDD_3D_1.0V	1.00
VDD_3D_1.2V	1.20
VDD_1.0V	1.00
VDD_1.2V	1.20
VDD_1.5V	1.50
VDD_1.8V	1.80
VDD_2.0V	2.00
VDD_2.5V	2.50
VDD_3.0V	3.00
VDD_3.3V	3.30
VDD_3.6V	3.60
VDD_3.8V	3.80
VDD_4.0V	4.00
VDD_4.2V	4.20
VDD_4.5V	4.50
VDD_4.8V	4.80
VDD_5.0V	5.00
VDD_5.2V	5.20
VDD_5.5V	5.50
VDD_5.8V	5.80
VDD_6.0V	6.00
VDD_6.2V	6.20
VDD_6.5V	6.50
VDD_6.8V	6.80
VDD_7.0V	7.00
VDD_7.2V	7.20
VDD_7.5V	7.50
VDD_7.8V	7.80
VDD_8.0V	8.00
VDD_8.2V	8.20
VDD_8.5V	8.50
VDD_8.8V	8.80
VDD_9.0V	9.00
VDD_9.2V	9.20
VDD_9.5V	9.50
VDD_9.8V	9.80
VDD_10.0V	10.00
VDD_10.2V	10.20
VDD_10.5V	10.50
VDD_10.8V	10.80
VDD_11.0V	11.00
VDD_11.2V	11.20
VDD_11.5V	11.50
VDD_11.8V	11.80
VDD_12.0V	12.00
VDD_12.2V	12.20
VDD_12.5V	12.50
VDD_12.8V	12.80
VDD_13.0V	13.00
VDD_13.2V	13.20
VDD_13.5V	13.50
VDD_13.8V	13.80
VDD_14.0V	14.00
VDD_14.2V	14.20
VDD_14.5V	14.50
VDD_14.8V	14.80
VDD_15.0V	15.00
VDD_15.2V	15.20
VDD_15.5V	15.50
VDD_15.8V	15.80
VDD_16.0V	16.00
VDD_16.2V	16.20
VDD_16.5V	16.50
VDD_16.8V	16.80
VDD_17.0V	17.00
VDD_17.2V	17.20
VDD_17.5V	17.50
VDD_17.8V	17.80
VDD_18.0V	18.00
VDD_18.2V	18.20
VDD_18.5V	18.50
VDD_18.8V	18.80
VDD_19.0V	19.00
VDD_19.2V	19.20
VDD_19.5V	19.50
VDD_19.8V	19.80
VDD_20.0V	20.00
VDD_20.2V	20.20
VDD_20.5V	20.50
VDD_20.8V	20.80
VDD_21.0V	21.00
VDD_21.2V	21.20
VDD_21.5V	21.50
VDD_21.8V	21.80
VDD_22.0V	22.00
VDD_22.2V	22.20
VDD_22.5V	22.50
VDD_22.8V	22.80
VDD_23.0V	23.00
VDD_23.2V	23.20
VDD_23.5V	23.50
VDD_23.8V	23.80
VDD_24.0V	24.00
VDD_24.2V	24.20
VDD_24.5V	24.50
VDD_24.8V	24.80
VDD_25.0V	25.00
VDD_25.2V	25.20
VDD_25.5V	25.50
VDD_25.8V	25.80
VDD_26.0V	26.00
VDD_26.2V	26.20
VDD_26.5V	26.50
VDD_26.8V	26.80
VDD_27.0V	27.00
VDD_27.2V	27.20
VDD_27.5V	27.50
VDD_27.8V	27.80
VDD_28.0V	28.00
VDD_28.2V	28.20
VDD_28.5V	28.50
VDD_28.8V	28.80
VDD_29.0V	29.00
VDD_29.2V	29.20
VDD_29.5V	29.50
VDD_29.8V	29.80
VDD_30.0V	30.00
VDD_30.2V	30.20
VDD_30.5V	30.50
VDD_30.8V	30.80
VDD_31.0V	31.00
VDD_31.2V	31.20
VDD_31.5V	31.50
VDD_31.8V	31.80
VDD_32.0V	32.00
VDD_32.2V	32.20
VDD_32.5V	32.50
VDD_32.8V	32.80
VDD_33.0V	33.00
VDD_33.2V	33.20
VDD_33.5V	33.50
VDD_33.8V	33.80
VDD_34.0V	34.00
VDD_34.2V	34.20
VDD_34.5V	34.50
VDD_34.8V	34.80
VDD_35.0V	35.00
VDD_35.2V	35.20
VDD_35.5V	35.50
VDD_35.8V	35.80
VDD_36.0V	36.00
VDD_36.2V	36.20
VDD_36.5V	36.50
VDD_36.8V	36.80
VDD_37.0V	37.00
VDD_37.2V	37.20
VDD_37.5V	37.50
VDD_37.8V	37.80
VDD_38.0V	38.00
VDD_38.2V	38.20
VDD_38.5V	38.50
VDD_38.8V	38.80
VDD_39.0V	39.00
VDD_39.2V	39.20
VDD_39.5V	39.50
VDD_39.8V	39.80
VDD_40.0V	40.00
VDD_40.2V	40.20
VDD_40.5V	40.50
VDD_40.8V	40.80
VDD_41.0V	41.00
VDD_41.2V	41.20
VDD_41.5V	41.50
VDD_41.8V	41.80
VDD_42.0V	42.00
VDD_42.2V	42.20
VDD_42.5V	42.50
VDD_42.8V	42.80
VDD_43.0V	43.00
VDD_43.2V	43.20
VDD_43.5V	43.50
VDD_43.8V	43.80
VDD_44.0V	44.00
VDD_44.2V	44.20
VDD_44.5V	44.50
VDD_44.8V	44.80
VDD_45.0V	45.00
VDD_45.2V	45.20
VDD_45.5V	45.50
VDD_45.8V	45.80
VDD_46.0V	46.00
VDD_46.2V	46.20
VDD_46.5V	46.50
VDD_46.8V	46.80
VDD_47.0V	47.00
VDD_47.2V	47.20
VDD_47.5V	47.50
VDD_47.8V	47.80
VDD_48.0V	48.00
VDD_48.2V	48.20
VDD_48.5V	48.50
VDD_48.8V	48.80
VDD_49.0V	49.00
VDD_49.2V	49.20
VDD_49.5V	49.50
VDD_49.8V	49.80
VDD_50.0V	50.00



PCB HOLE

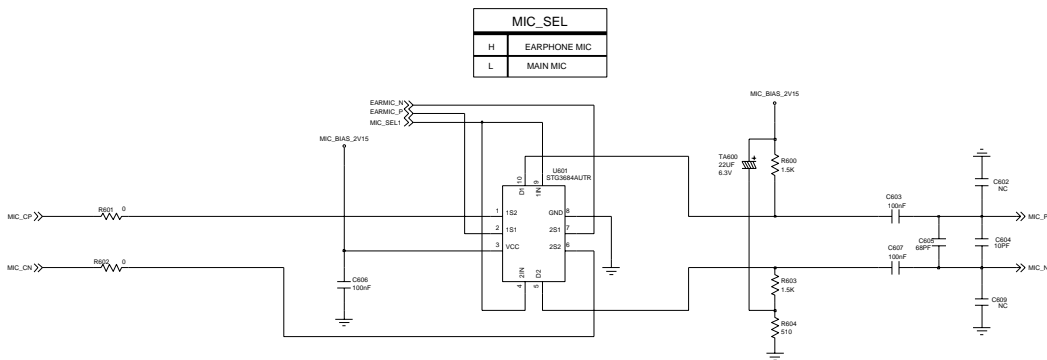


IF & EARJACK 20pin(reverse type)

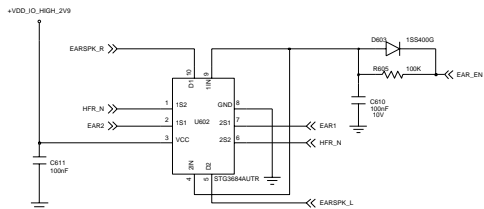


BATTERY CHARGING & DC/DC Down Converter(1.875Volt)

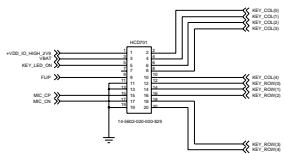
Title	IF Connector & Charging Schematic	
Size	Document Number	Rev
A3	SAMSUNG/SGH-E390B.B1F & CHARGING	0.9
Date		Sheet 5 of 8



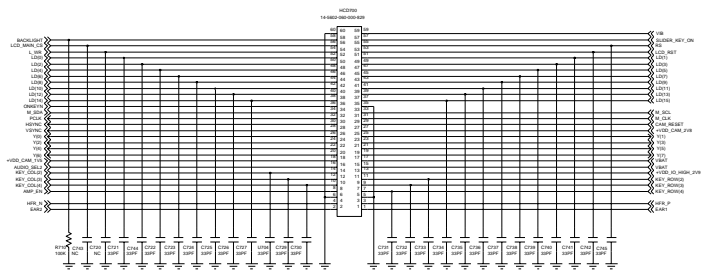
MICROPHONE



EARPHONE



KEY_CONNECTOR



LCD_CONNECTOR