



C725 U700 C726 U701 C700 L701 C701 R700

R704 L701

R701 L700 R702

UP

SOFT1

LEFT

INT

RIGHT

SOFT2

SEND

L704
R707

DOWN

CLR

L703
R708

END

DIGIT1

DIGIT2

DIGIT3

L702
R705

L705
R706

DIGIT4

DIGIT5

DIGIT6

L708
R701

L710
R710

DIGIT7

DIGIT8

DIGIT9

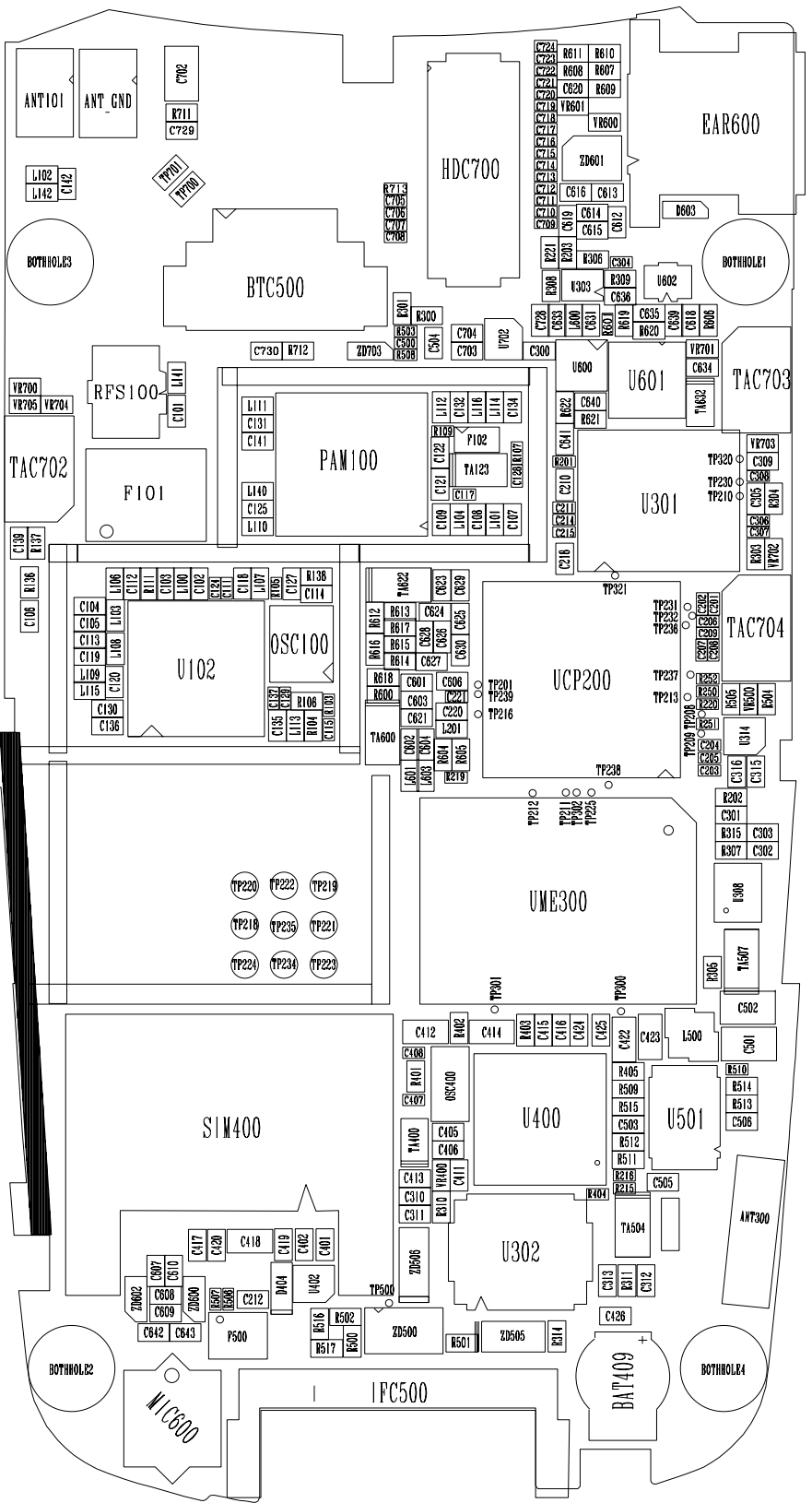
L706
R709

L709
R702

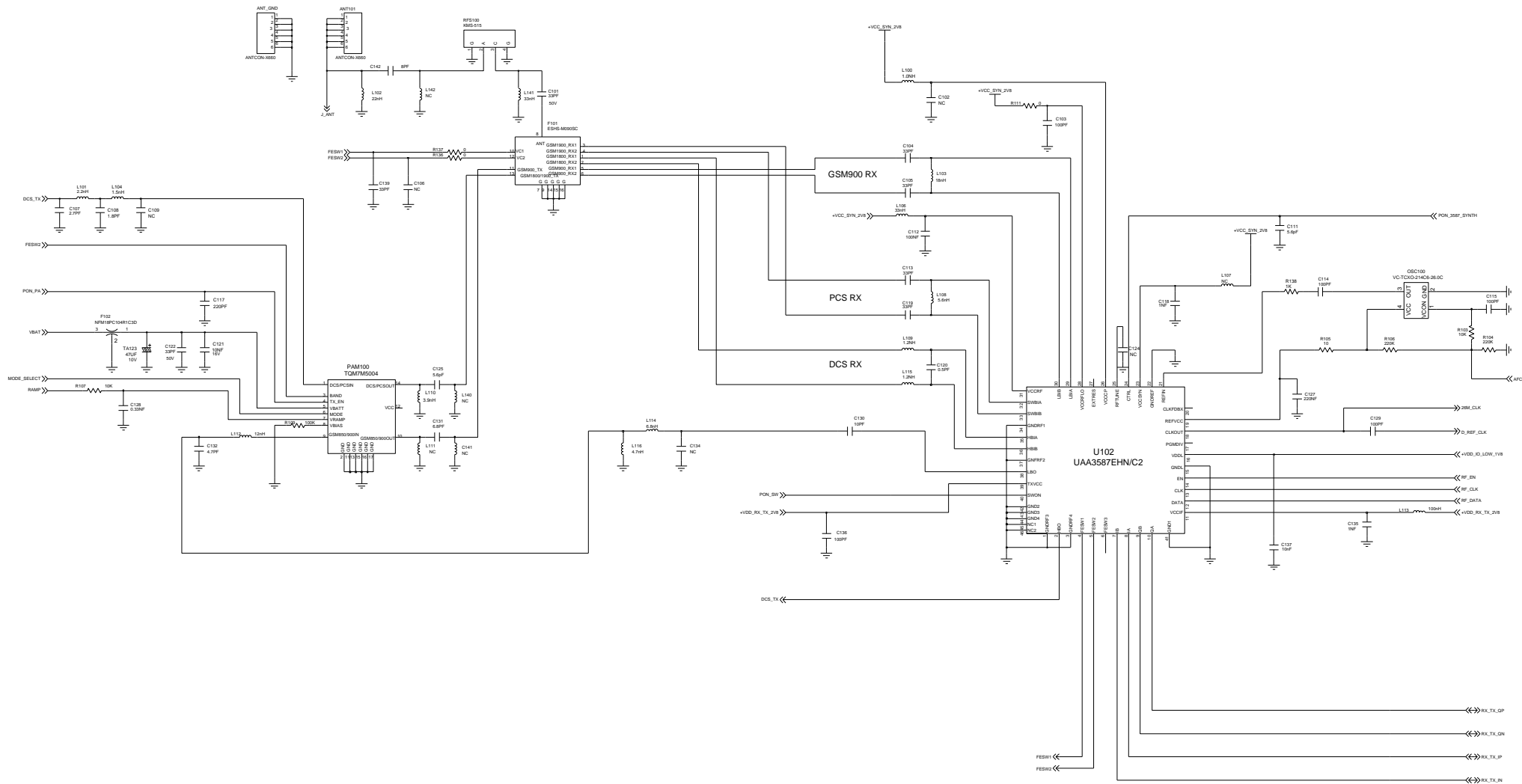
STAR

DIGIT0

SHARP



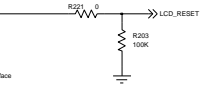
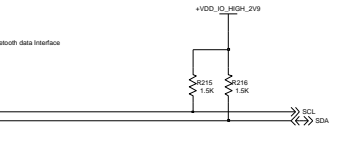
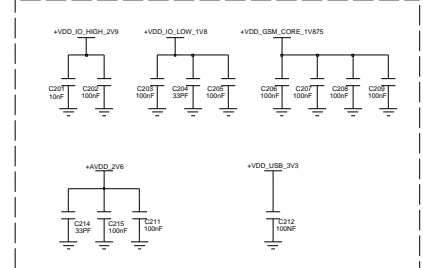
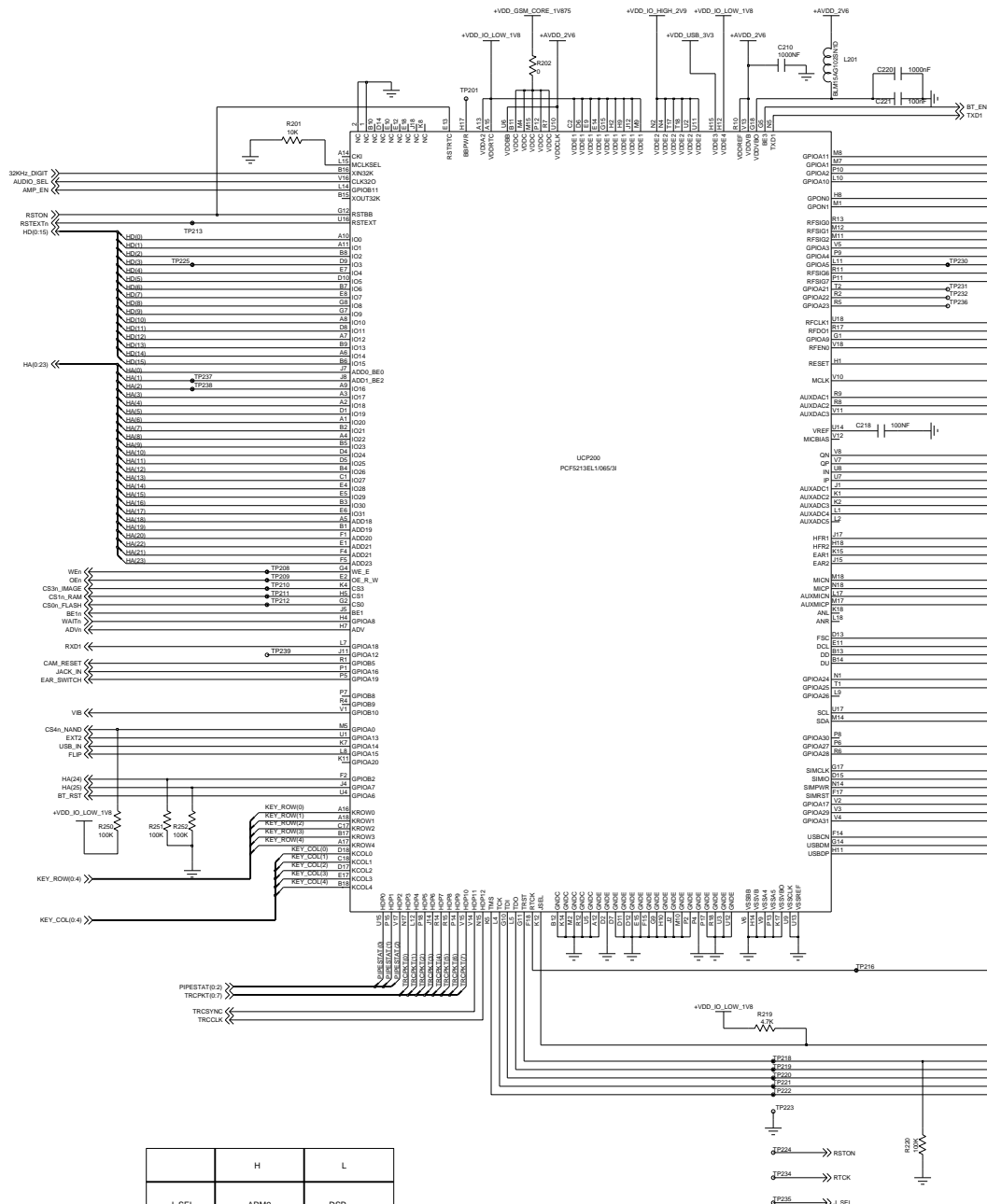
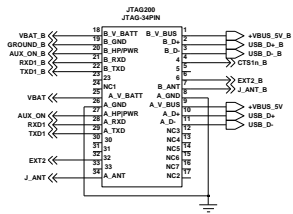
- R283
- R284
- R285
- R286
- R287
- R288
- R289
- R290
- R291
- R292
- R293
- R294
- R295

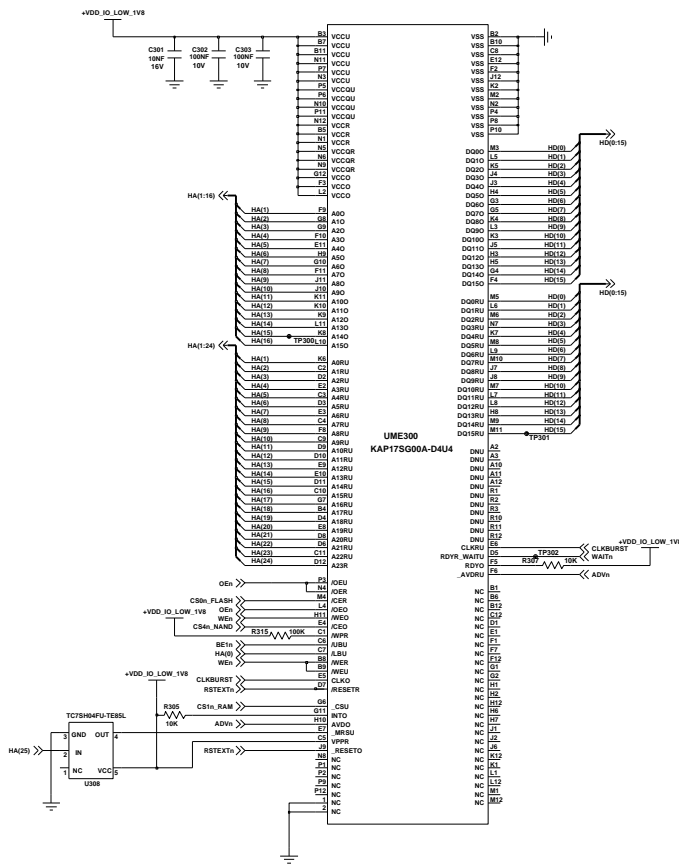


	FESW1	FESW2	FESW3
Tx(GSM900)	H	L	L
Tx(DCS1800/1900)	L	H	L/H
Rx(GSM900)	L	L	L
Rx(DCS1800)	L	L	L
Rx(PCS1900)	L	L	H

J-TAG 34 PINS

H	L
J_SEL	ARM9 DSP
TRST	TRACE NORMAL





MEMORY(256/512/128)

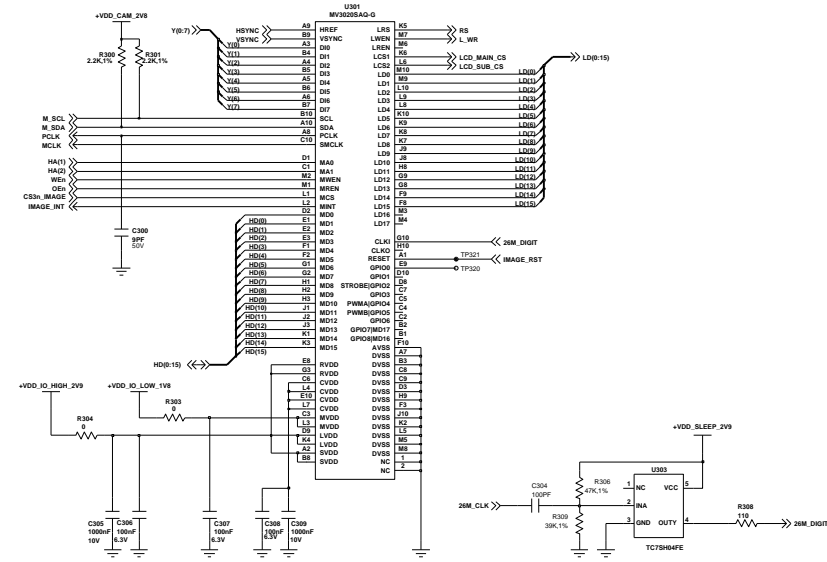
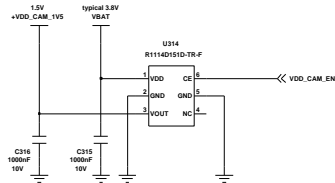
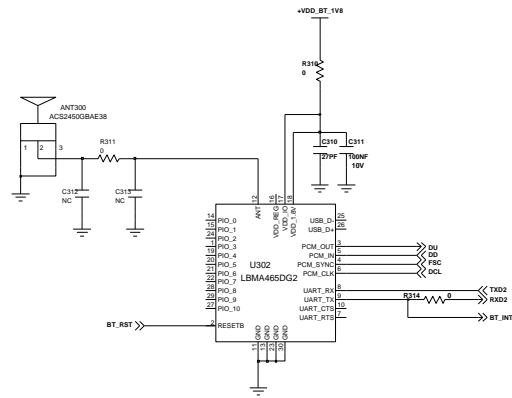
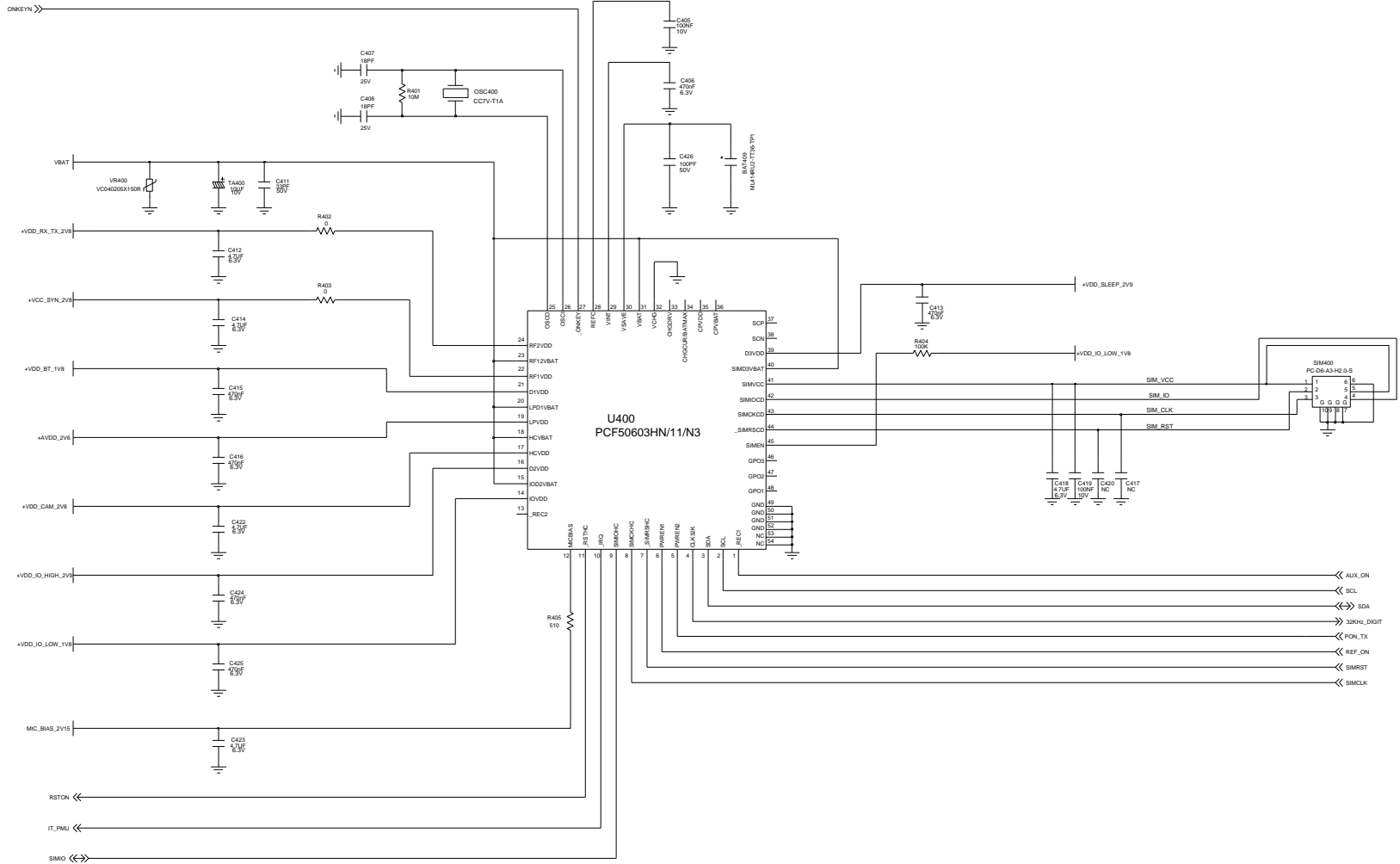
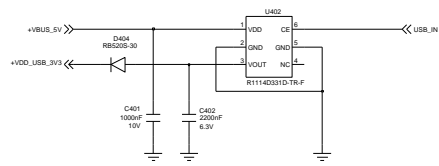


IMAGE DSP

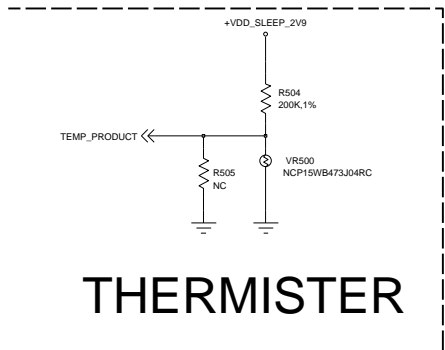
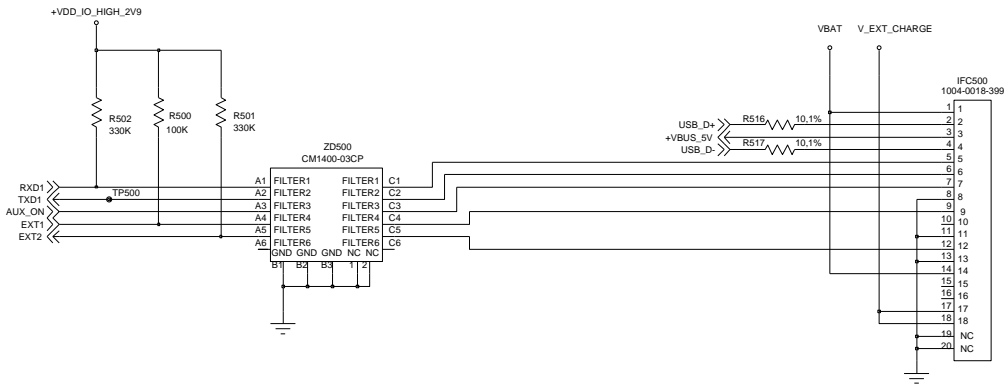


BLUE TOOTH

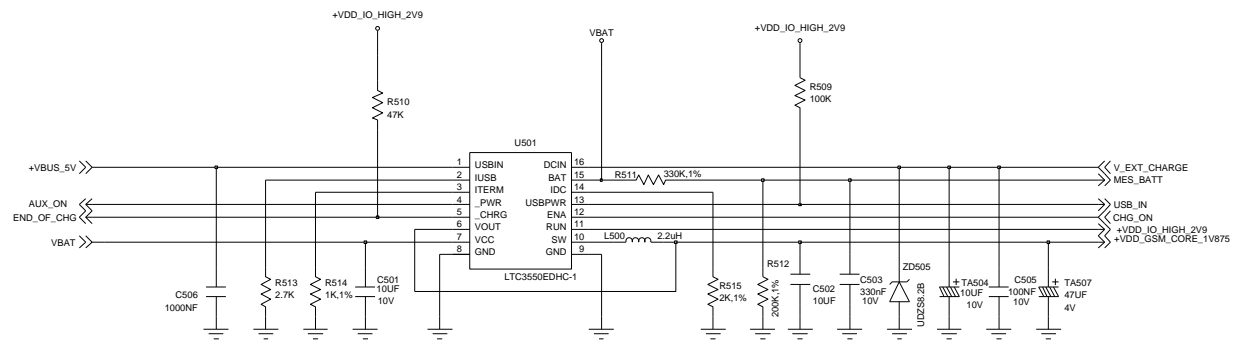
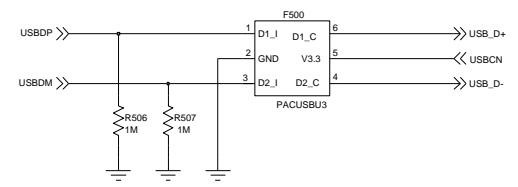
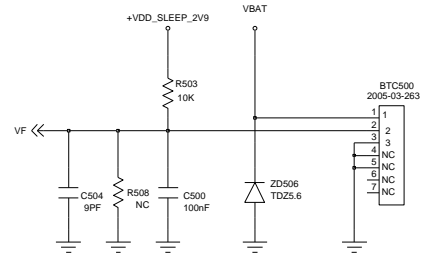
LDO



VDD_IO_HIGH	2.9V
VDD_IO_LOW	1.8V
VDD_VIB	2.9V
VDD_IMAGE	1.9V
VDD	2.8V
VDD_HFA	2.8V
VCC_RX_TX	2.9V
VCC_SYN	2.8V
VDD_GSM_CORE	1.8V
VDD_CORE_BT	1.8V
VDD_VIB	3.3V
VDD_4V	4V



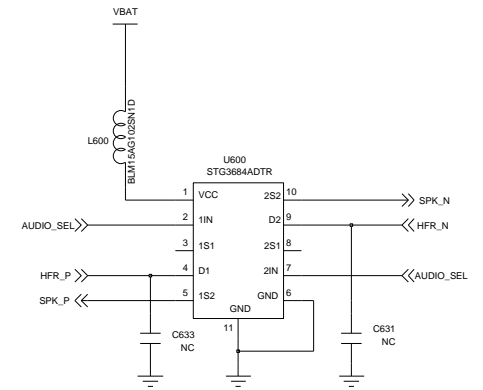
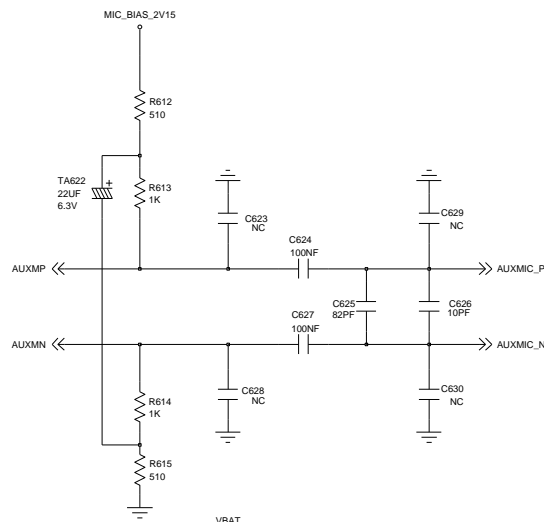
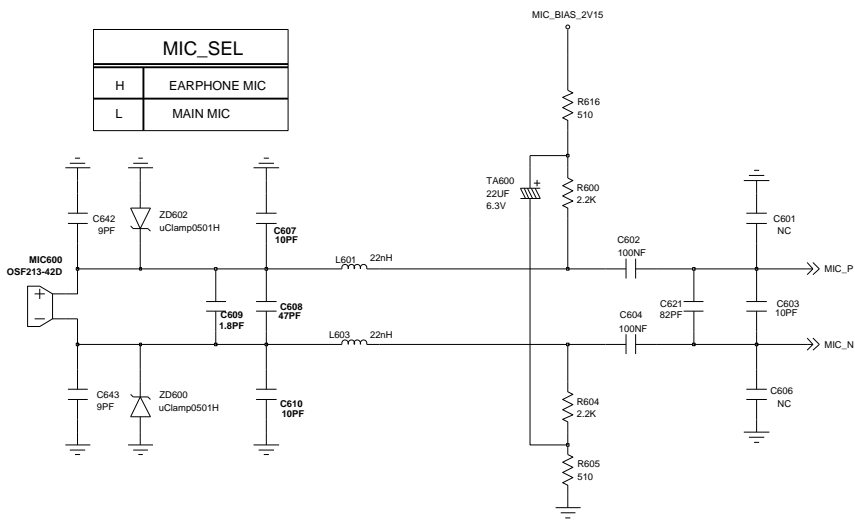
THERMISTER



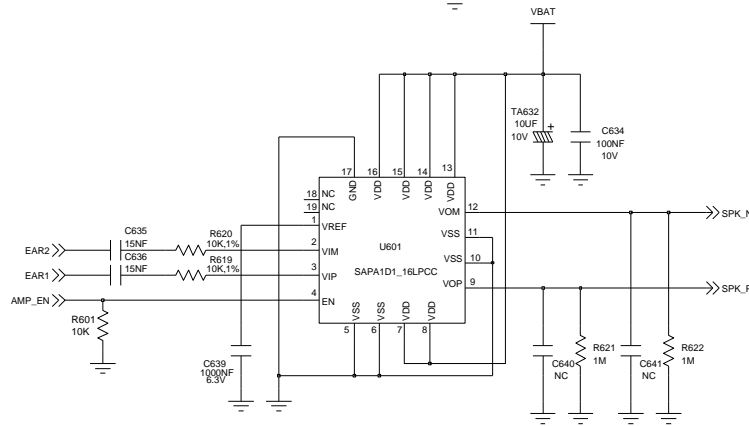
BATTERY CHARGING & DC/DC Down Conveter(1.875Volt)

Title		
IF Connector & Charging Schematic		
Size	A3	Rev 0.7A
Date:	SAMSUNG/SGH-E380/BB	Sheet 5 of 7

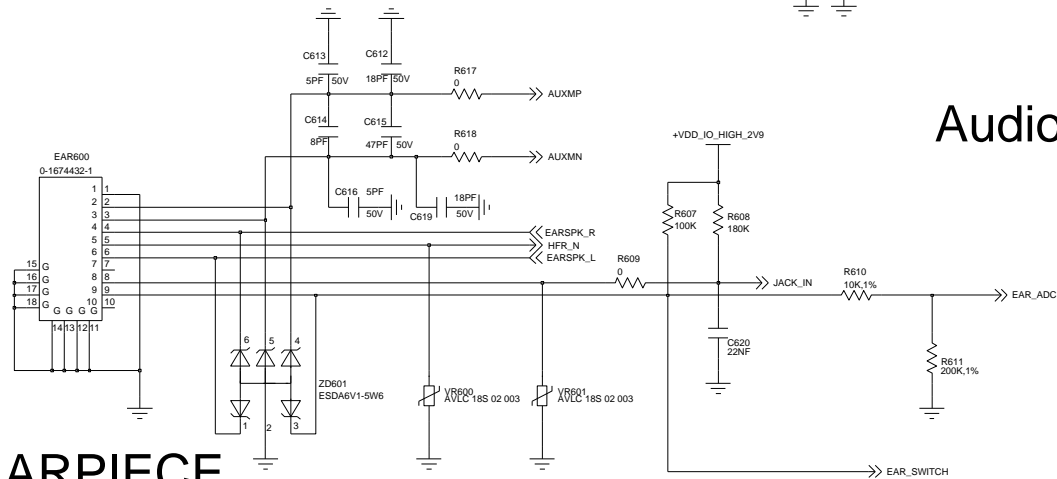
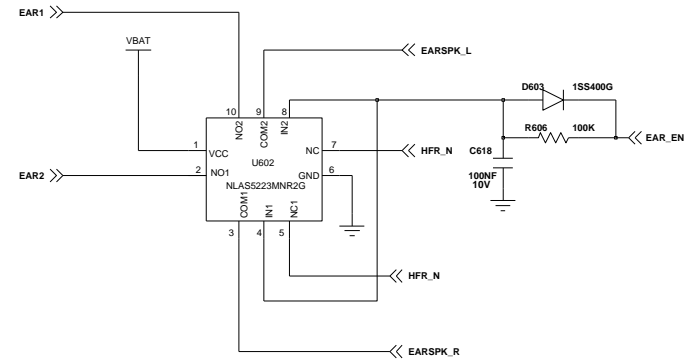
MIC_SEL	
H	EARPHONE MIC
L	MAIN MIC



MICROPHONE

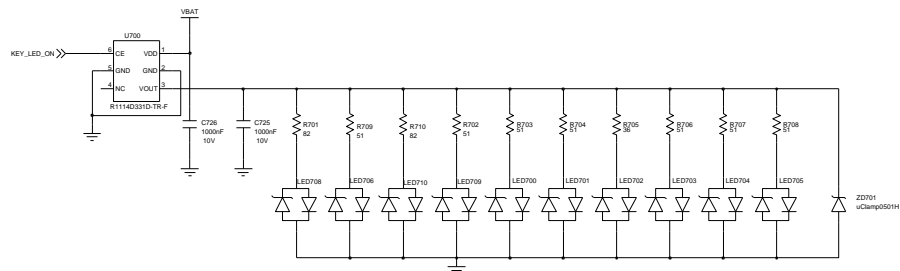


Audio AMP

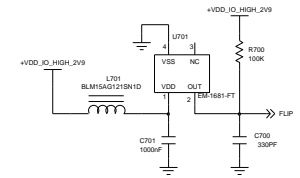
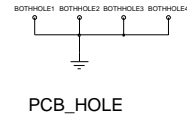


EARPIECE

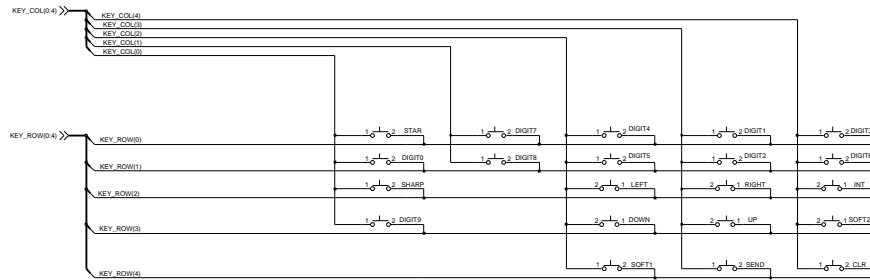
Title		
Audio & EAR-Jack Schematic		
Document Number	SAMSUNG/SGH-E380/BB	Rev 0.7A
Date:	Sheet	6 of 7



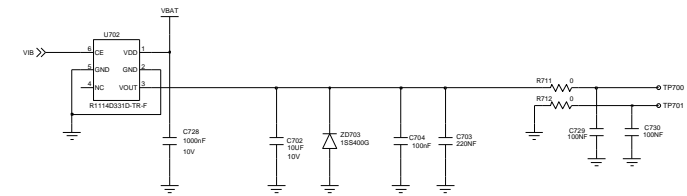
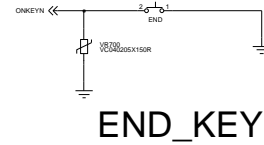
KEY BACKLIGHT



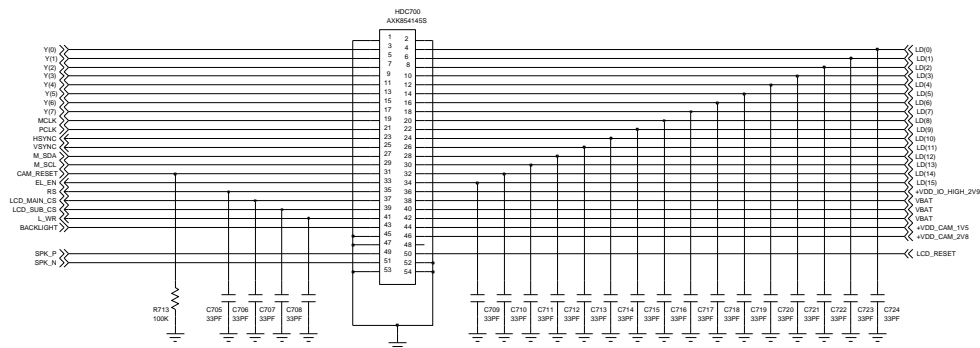
FLIP



KEY_MAP

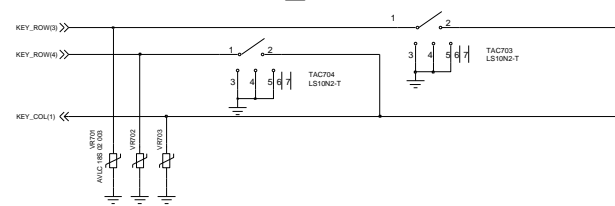


DC-MOTOR



LCD_CONNECTOR

VOLUME_KEY



CAMERA_KEY

