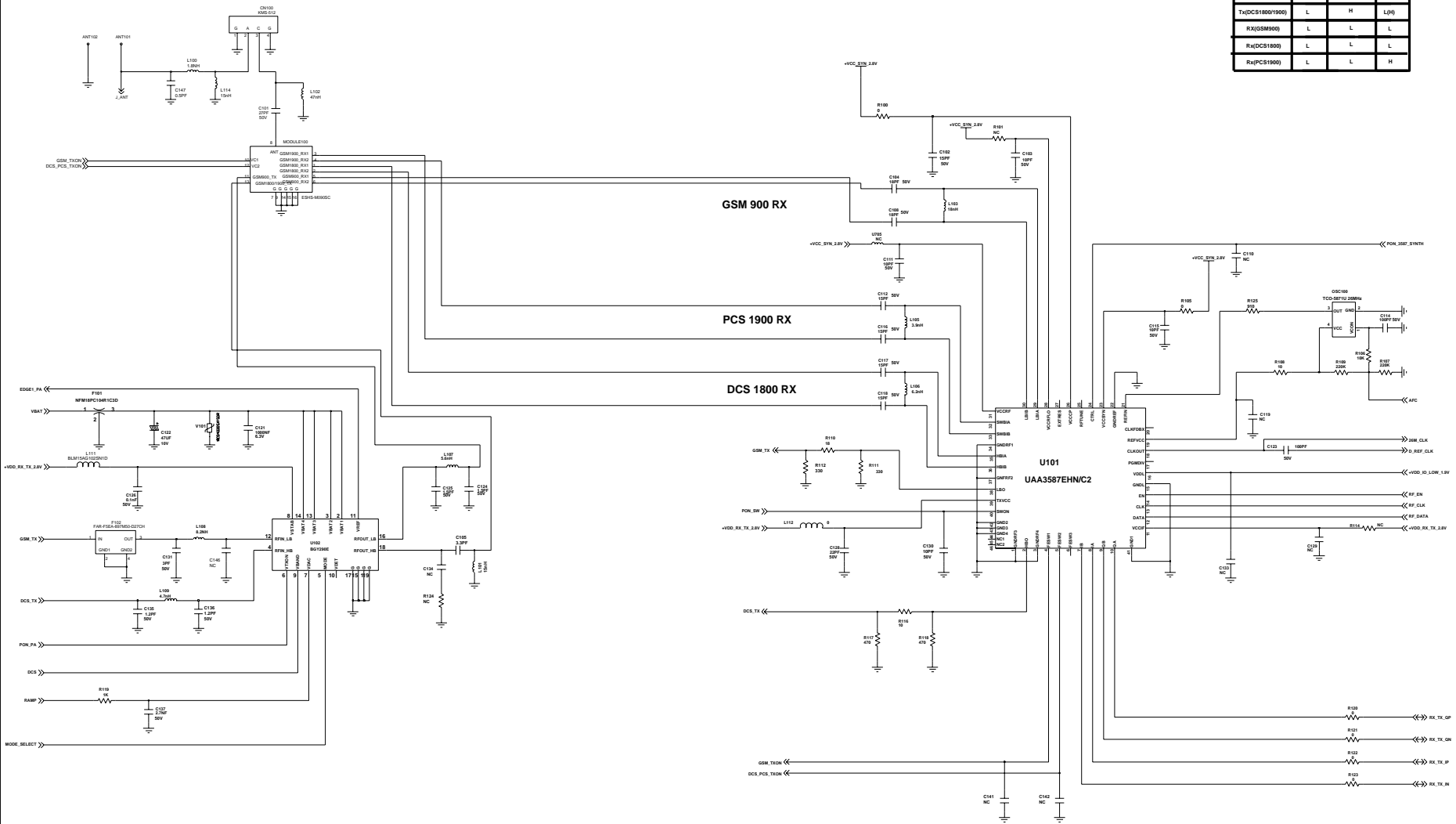
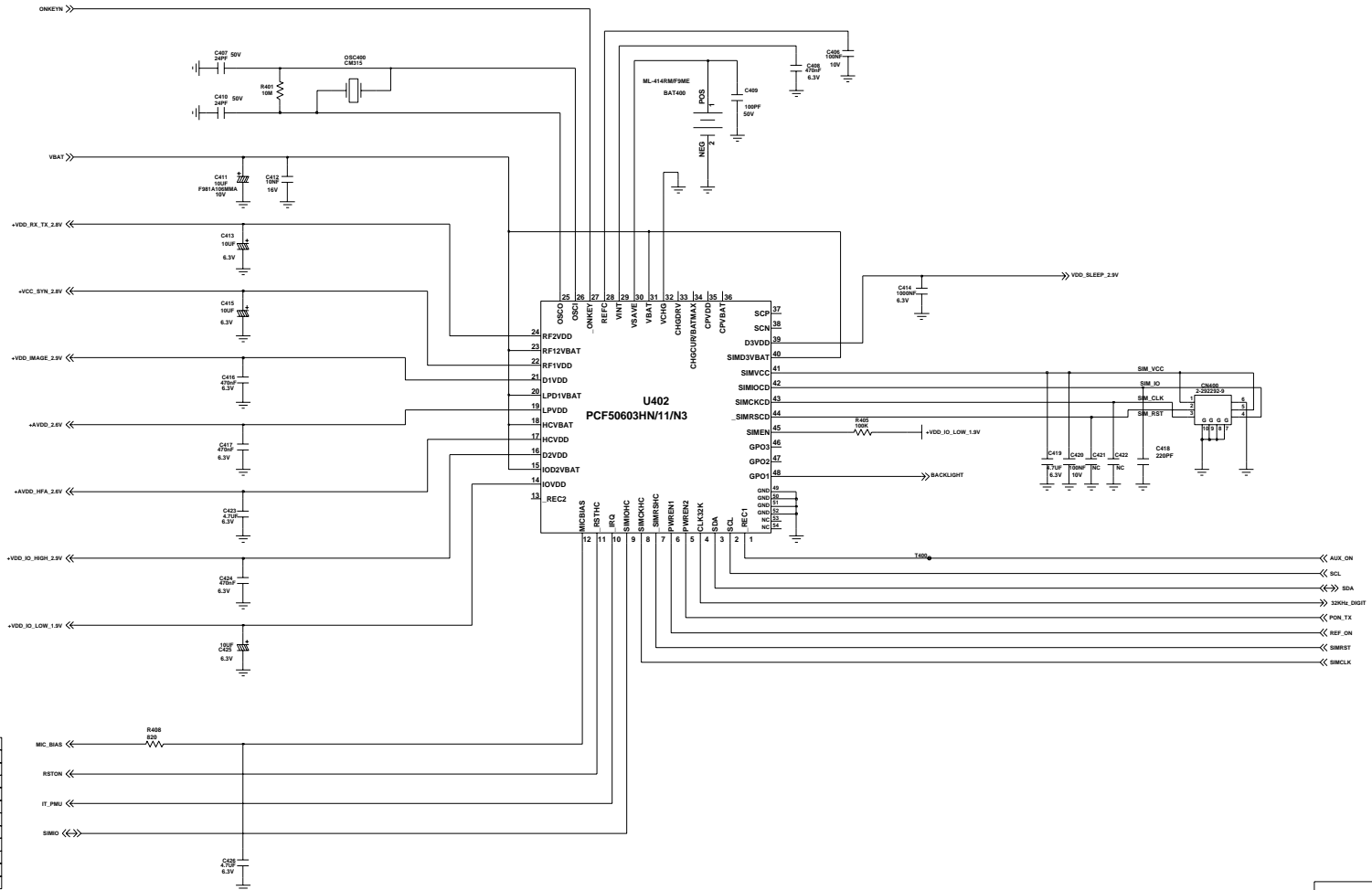
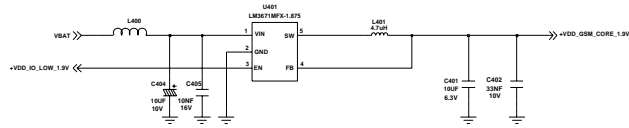
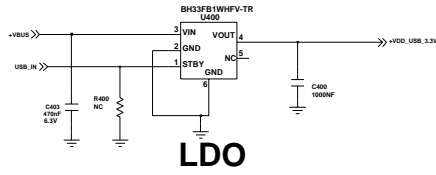


	GSM_TXON	DCS_PCS_TXON	PCS_RXON
Tx(GSM900)	H	L	L
Tx(DCS1800/PCS)	L	H	L/H
Rx(GSM900)	L	L	L
Rx(DCS1800)	L	L	L
Rx(PCS1900)	L	L	H

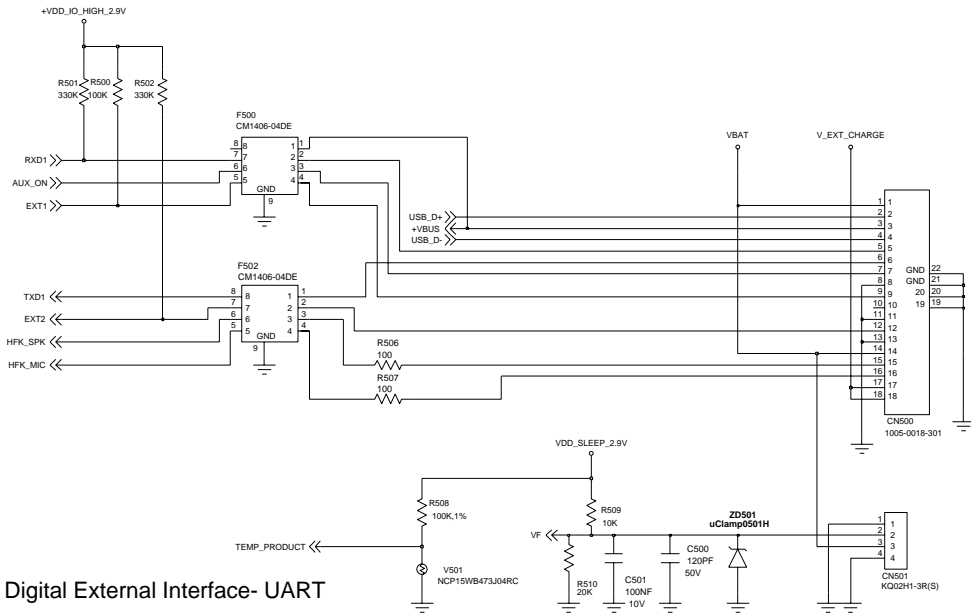


DC/DC Down Converter(1.8Volt)



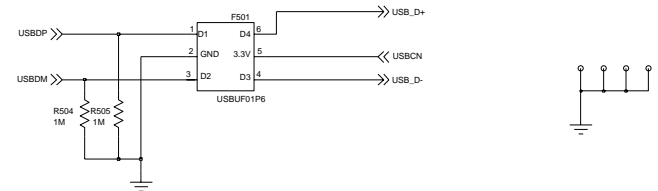
VDD_IO_HIGH	2.8V
VDD_IO_LOW	1.8V
VDD_VIB	2.8V
VDD_IMAGE	2.8V
A_VDD	2.6V
AVDD_HFA	2.8V
VCC_STN	2.7V
VDD_GSM_CORE	DDDC-1.8V3V
BT_NOT_USE	NR USE
VDD_VIB_2.3	3.3V LDO
VDD_4V	NR USE

VDD_SLEEP	2.8V
MC_BIAS	2.1V



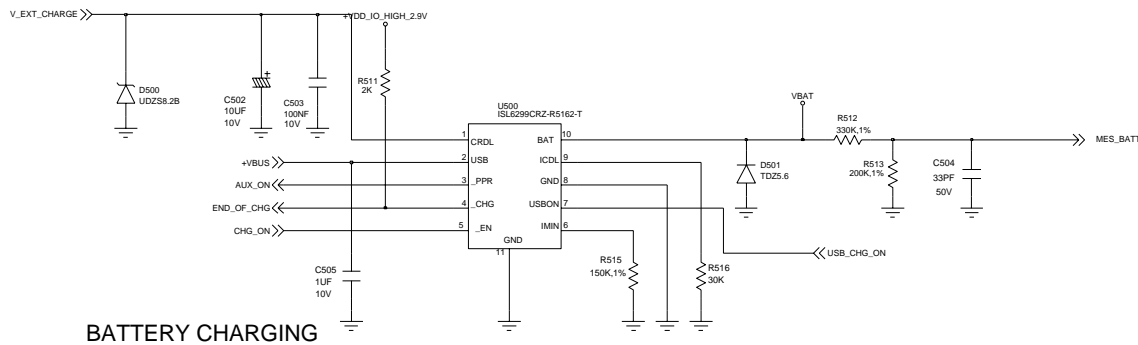
Digital External Interface- UART

THERMISTER & VF

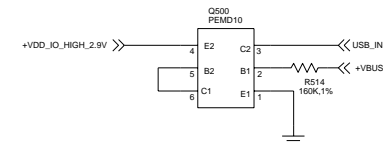


Digital External Interface - USB

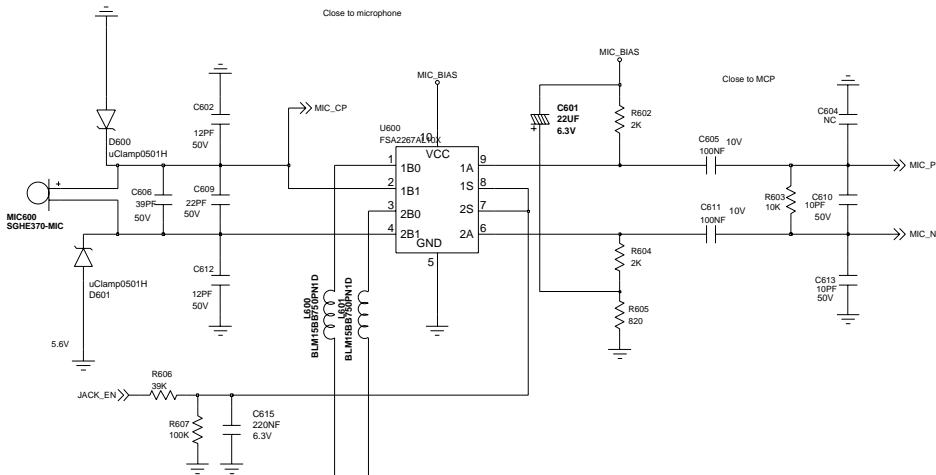
PCB_HOLE



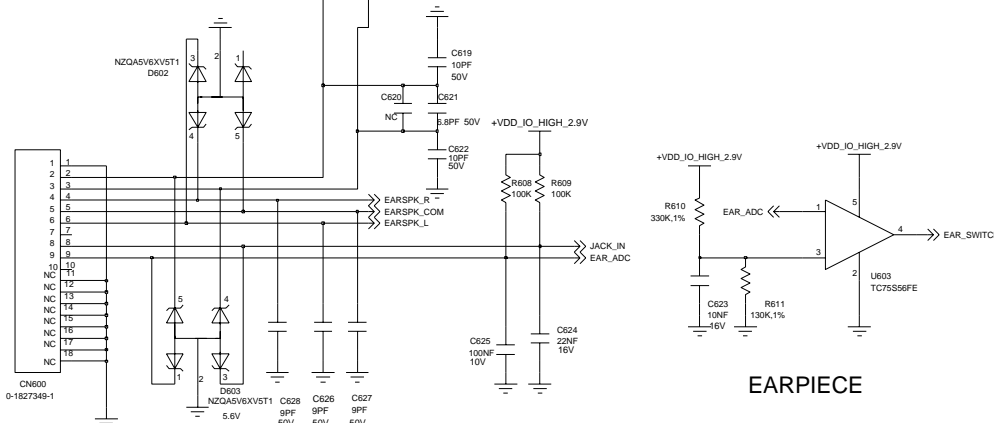
BATTERY CHARGING



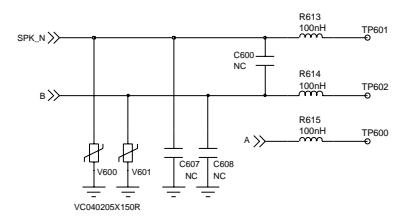
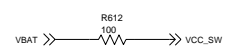
Title		
IF Connector & Charging Schematic		
Size	Document Number	Rev 1.3C
A3	SAMSUNG/SGH-ELF	
Date:	2006.03.16	Sheet 5 of 7



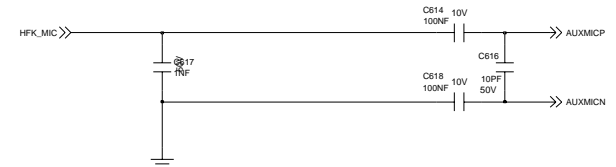
MICROPHONE



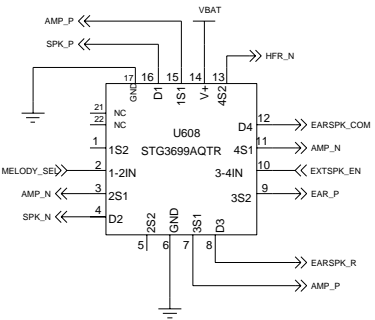
EARPIECE



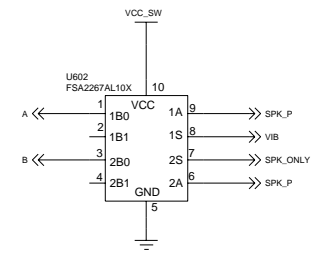
SPEAKER CON



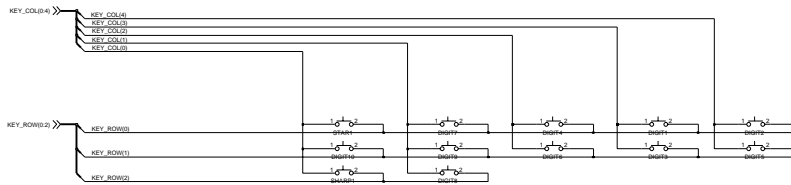
CAR KIT MIC



AUDIOSWITCH

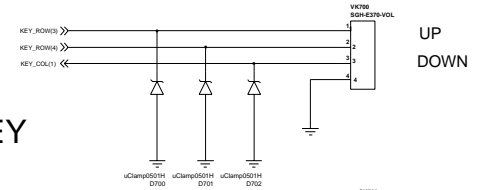


CAR_SEL & YMU_EAR_SPK_L

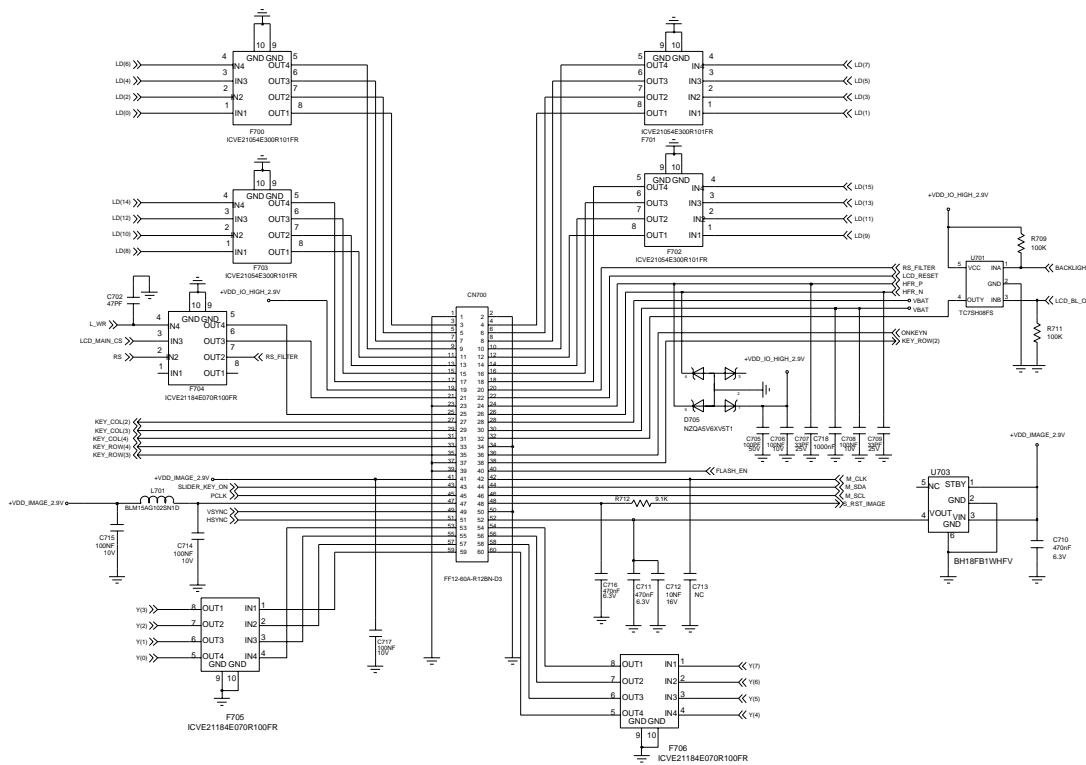
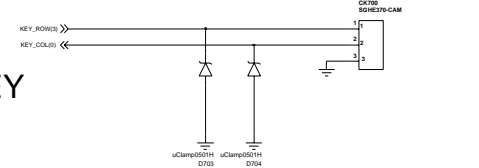


KEY_MAP

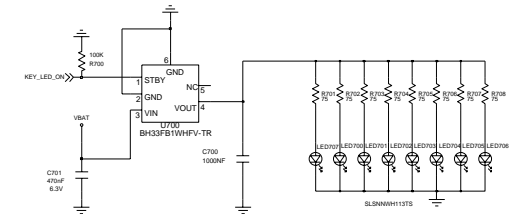
VOLUME_KEY



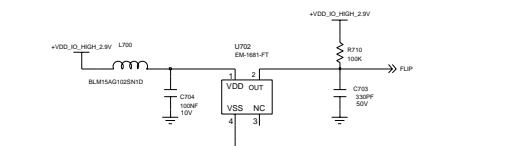
CAMERA_KEY



LCD_CONNECTOR F700 - F704 FILTER UPDATE !!



KEY_LED



FLIP