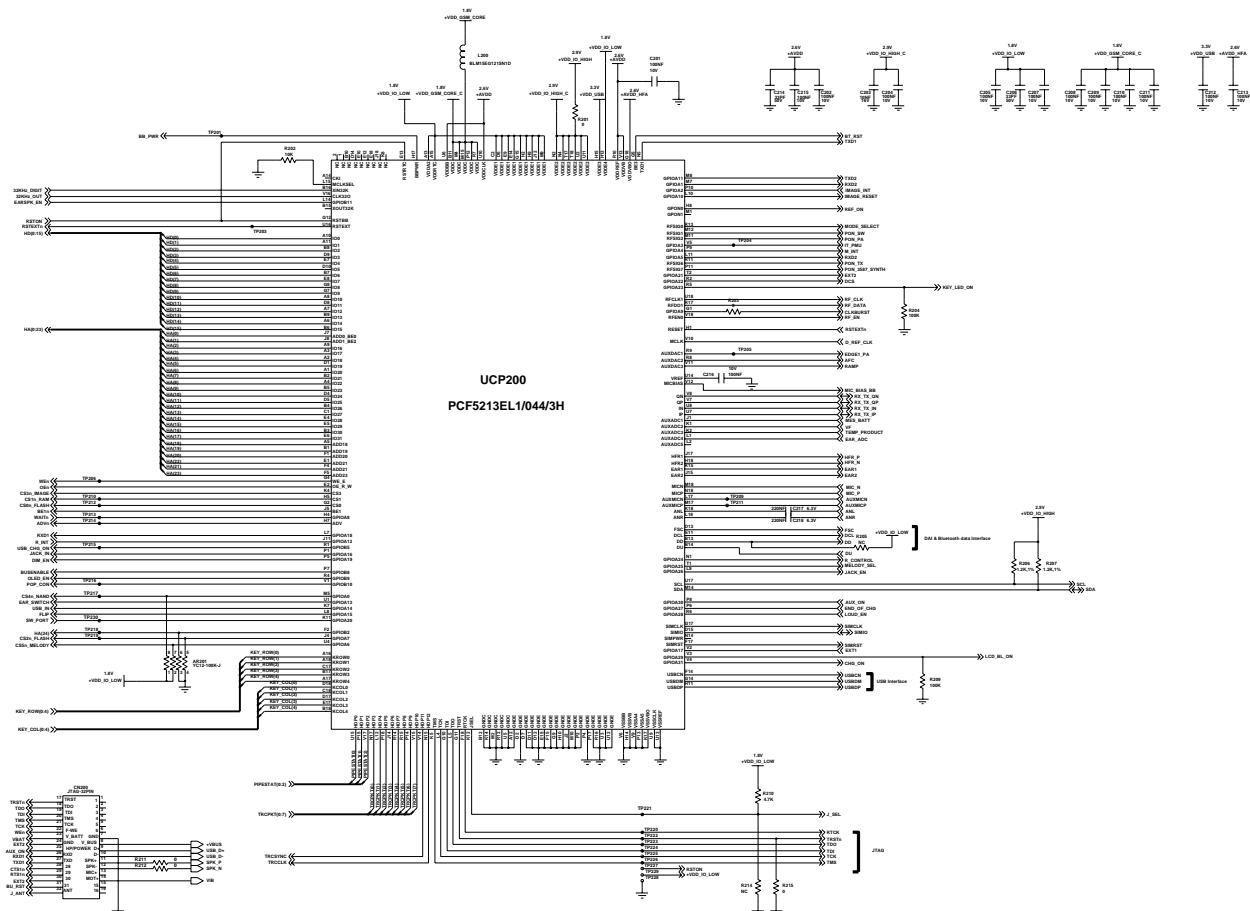
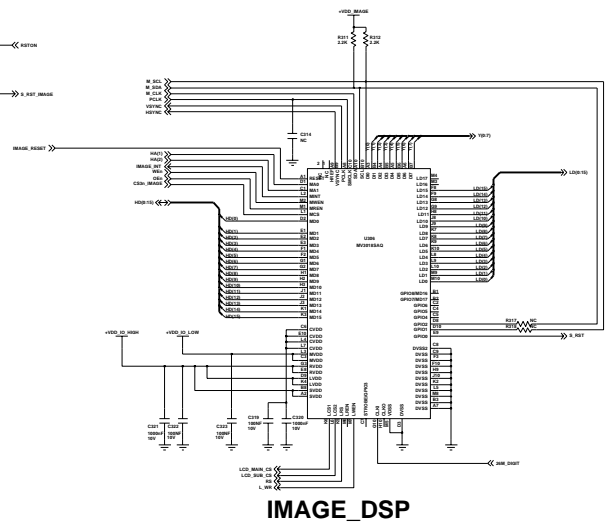
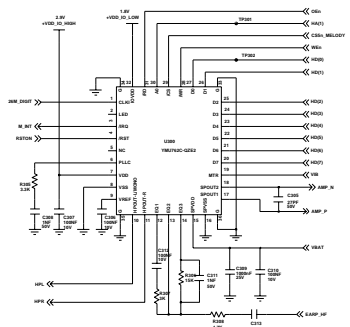
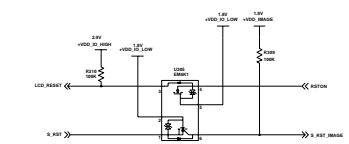
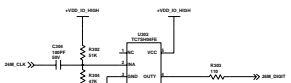
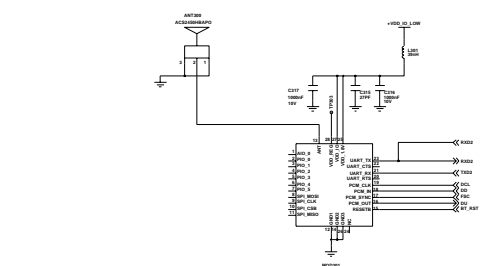
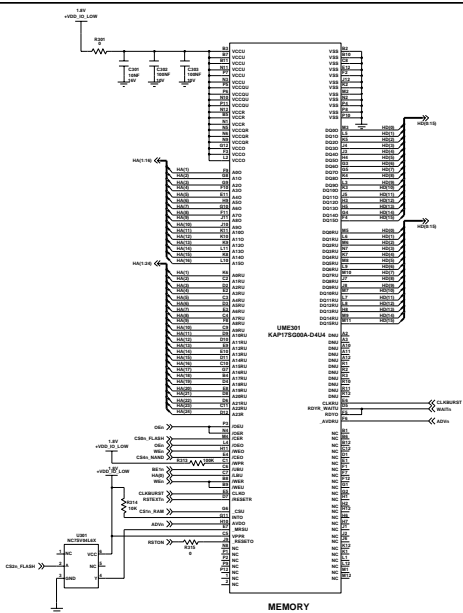


	NET	VIZ	VEE
Tu2225L	IM	L	L
Tu2225L100-1000	L	IM	L000
Ru2225L	L	L	L
Ru2225L1000	L	L	L
Ru2225L1000	L	L	IM

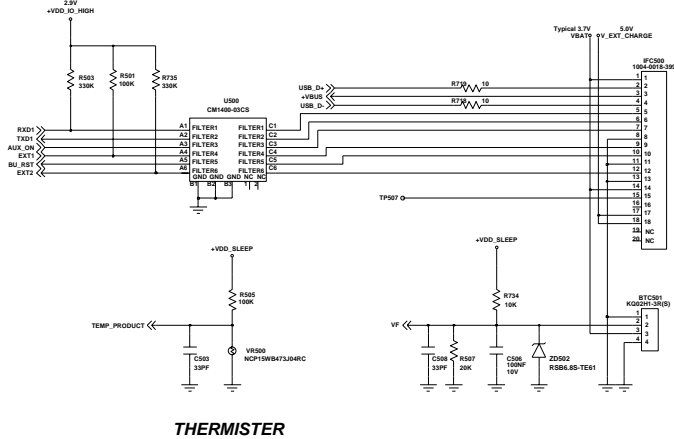


**J-TAG 32 PINS**

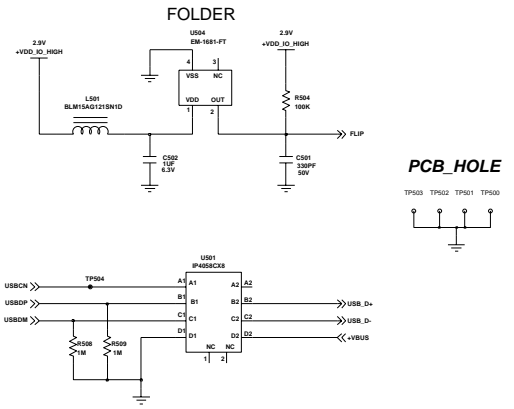




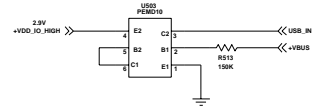
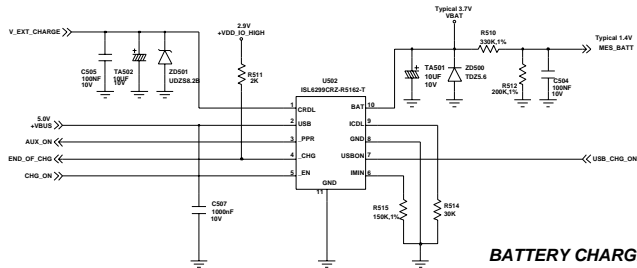
## Digital External Interface



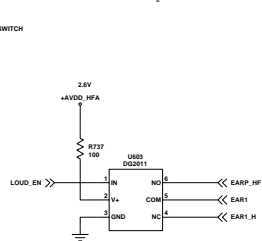
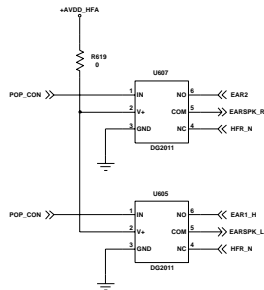
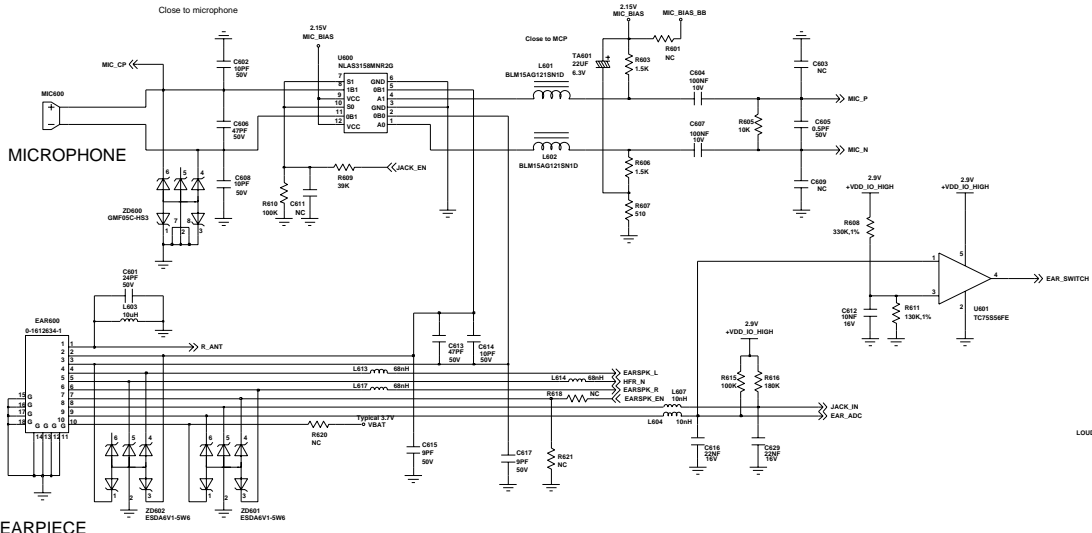
**THERMISTOR**



**BATTERY CHARGING**



Title		
IF Connector & Charging Schematic		
Size	Document Number	Rev 2.0
A3	SAMSUNG/SH-E360/B.B/F & CHARGING	
Date:	2005.11.18	Sheet 5 of 7



### FM RADIO

