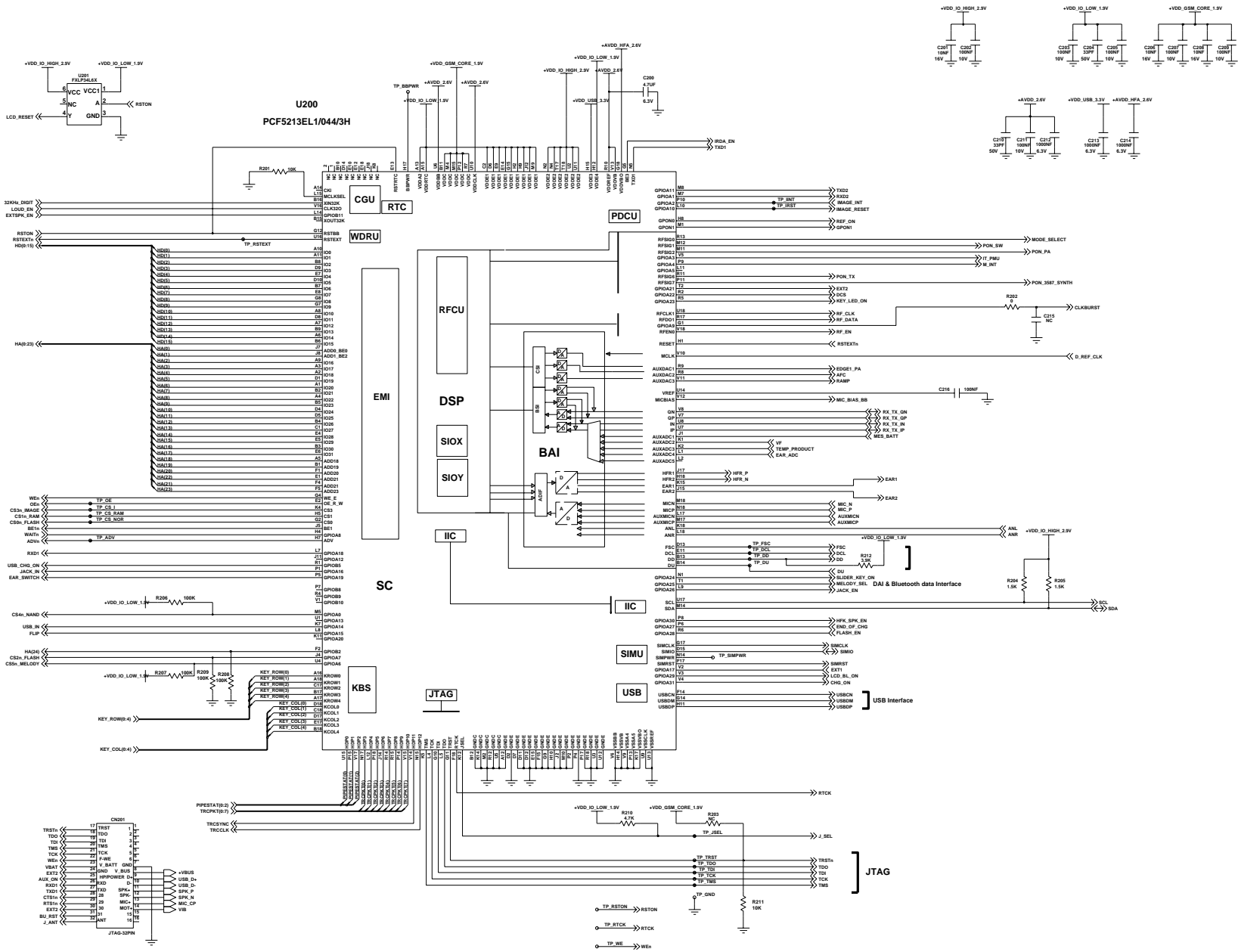
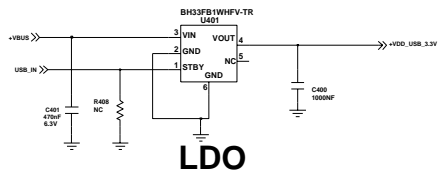


	GSM_TXON	DCS_PCS_TXON	PCS_RXON
Tx(GSM900)	H	L	L
Tx(DCS1800/1900)	L	H	L/D
Rx(GSM900)	L	L	L
Rx(DCS1800)	L	L	L
Rx(PCS1900)	L	L	H

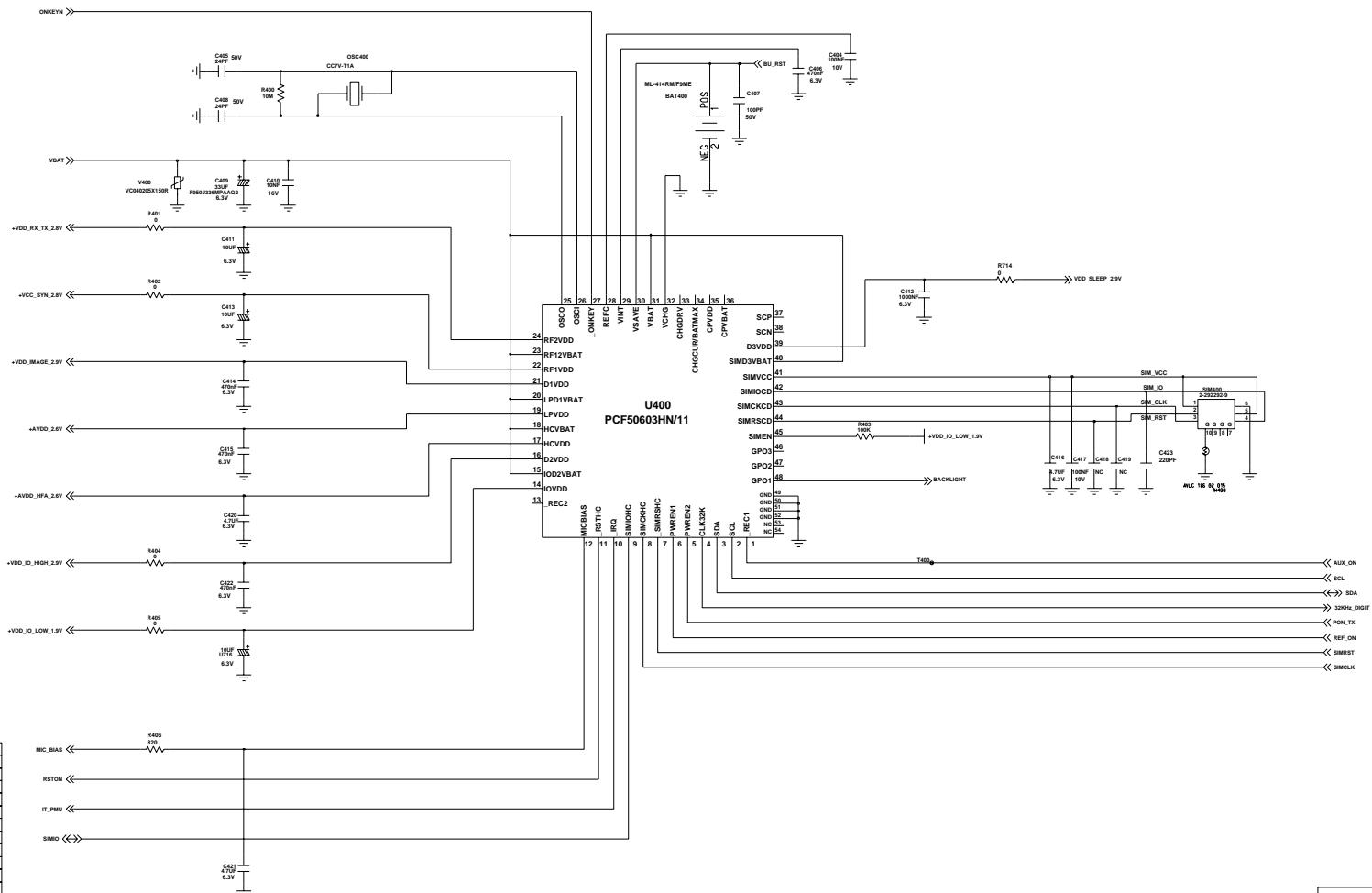
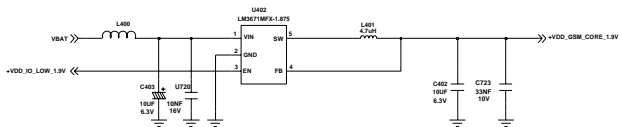


J-TAG 32 PINS



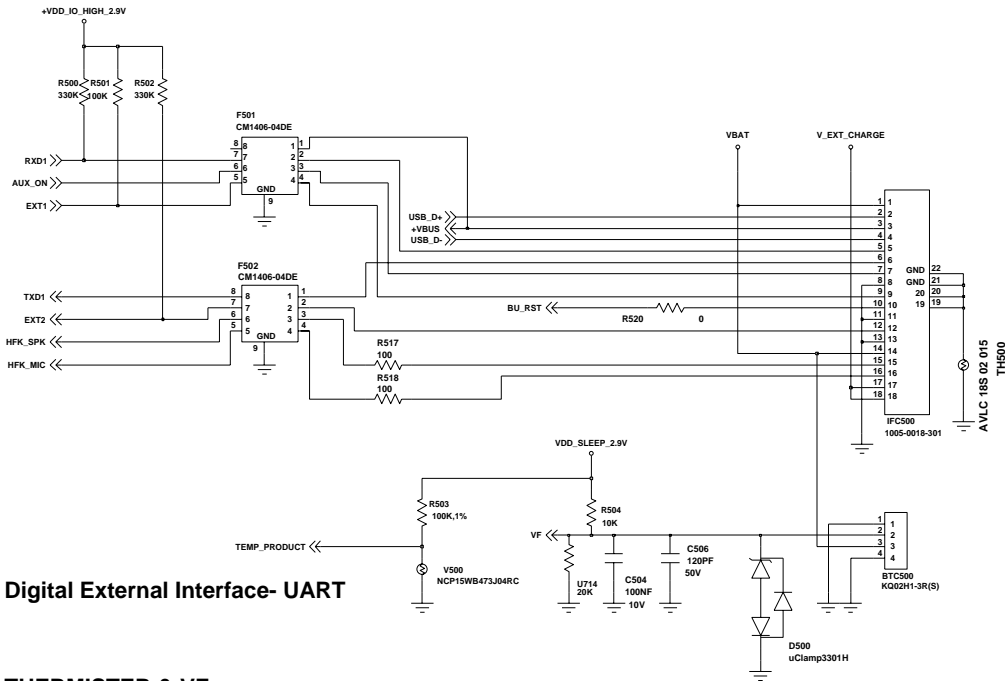
LDO

DC/DC Down Conveter(1.8Volt)



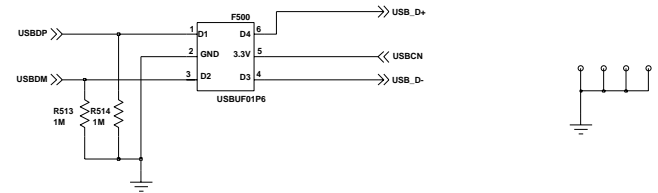
VDD_IO_HIGH	2.8V
VDD_IO_LOW	1.8V
VDD_VIB	2.8V
VDD_IMAGE	2.8V
A_VDD	2.8V
A_VDDO_HFA	2.8V
VCC_RX_TX	2.7V
VCC_STN	2.7V
VDD_GSM_CORE	DDDC-1.875V
BT_NOT_USE	NR USE
VDD_VIB_2.8	3.3V LDO
VDD_4V	NR USE

VDD_SLEEP	2.8V
MC_BIAS	2.1V



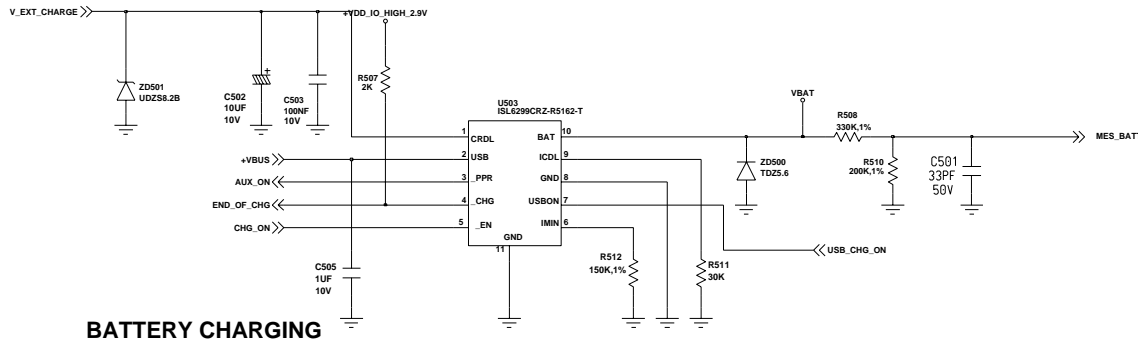
Digital External Interface- UART

THERMISTER & VF

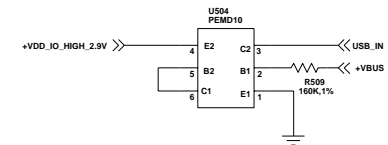


Digital External Interface - USB

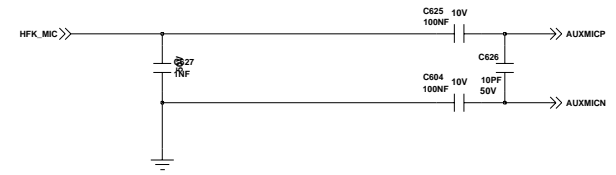
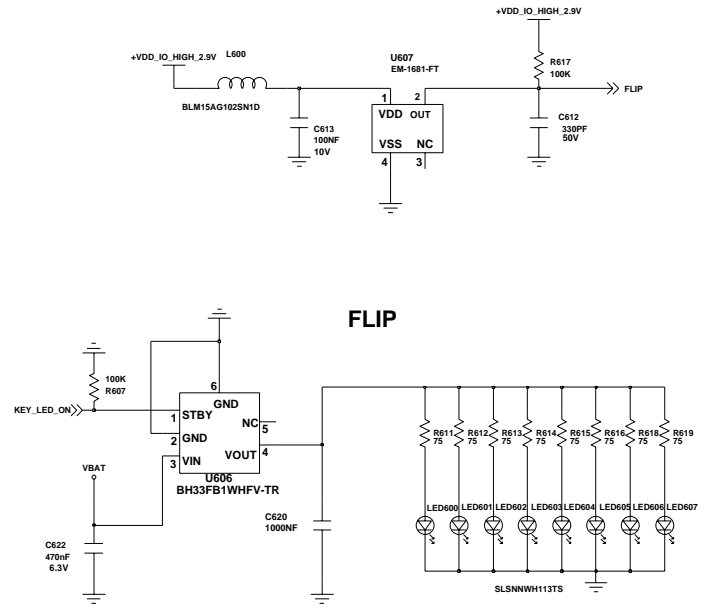
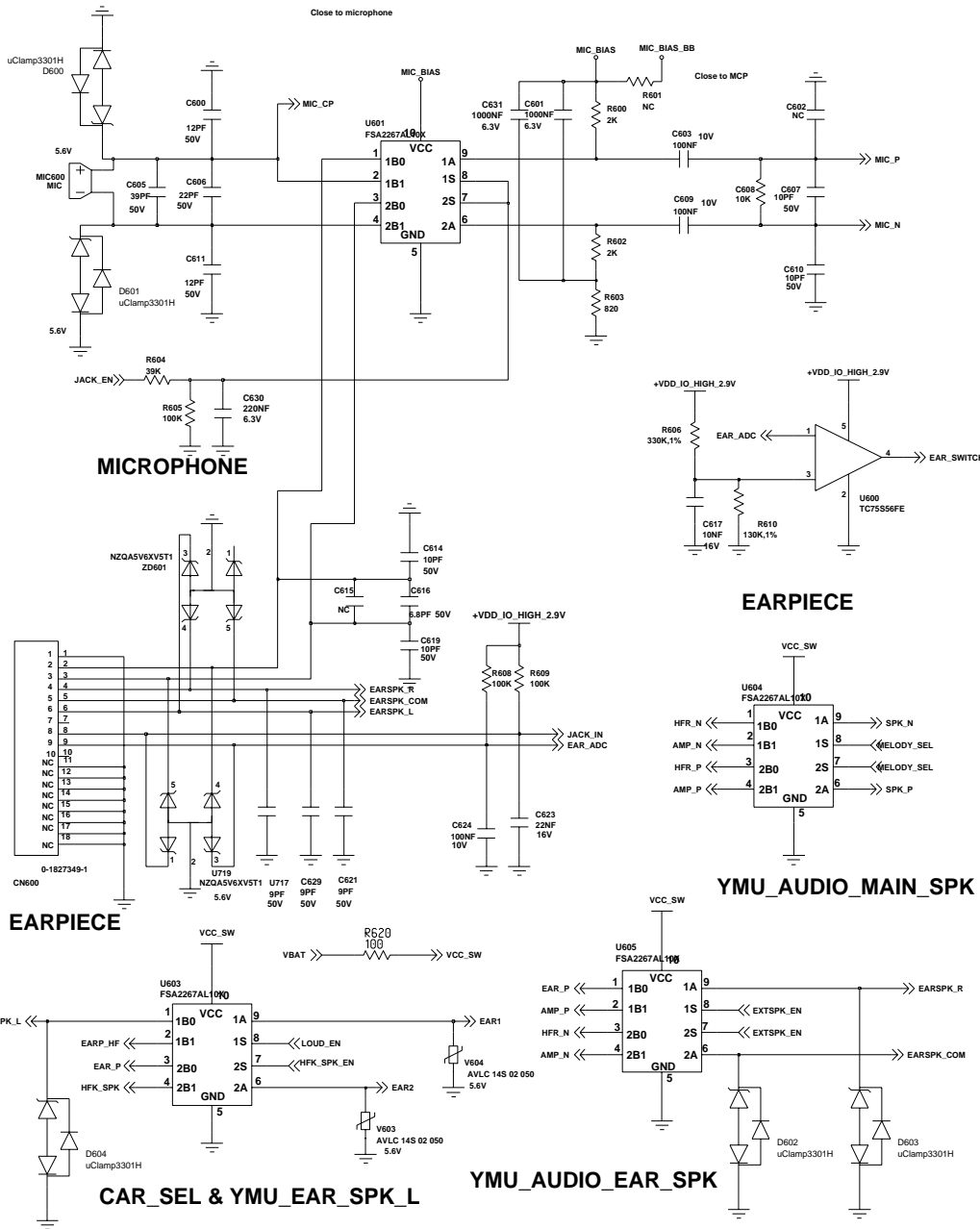
PCB_HOLE



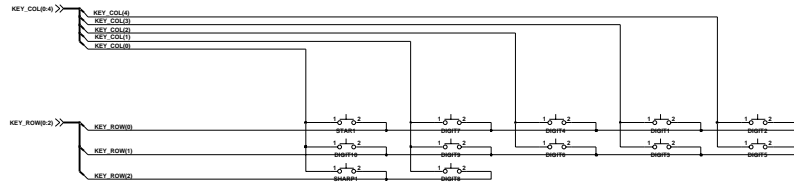
BATTERY CHARGING



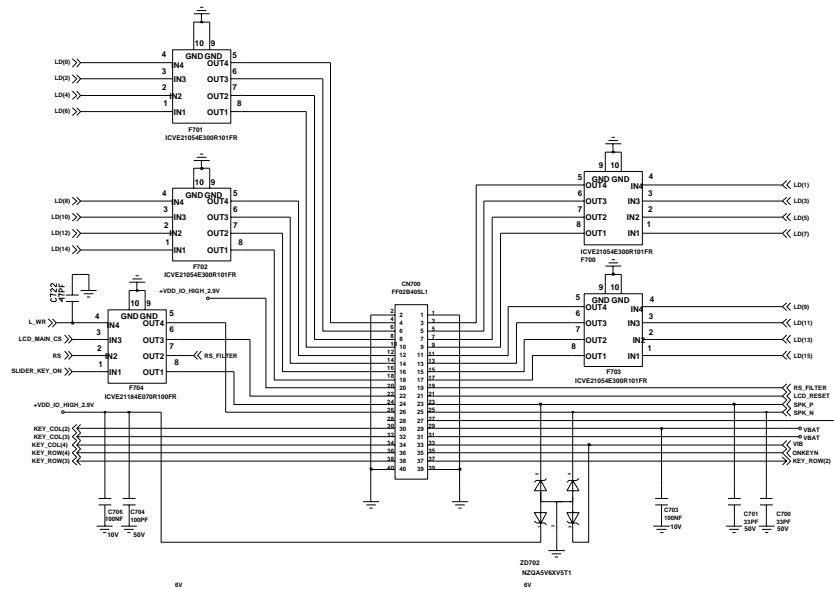
Title		
IF Connector & Charging Schematic		
Size	Document Number	Rev 2.3
A3	SAMSUNG/SGH-E350E	
Date:	2005.06.10	Sheet 5 of 7



Title		
Audio & KEY Schematic		
Document Number		Rev
SAMSUNG/SGH-E350E		Rev 2.3
Date:	2005.06.10	Sheet 6 of 7

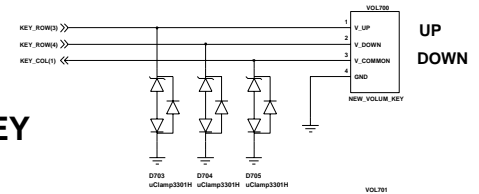


KEY_MAP

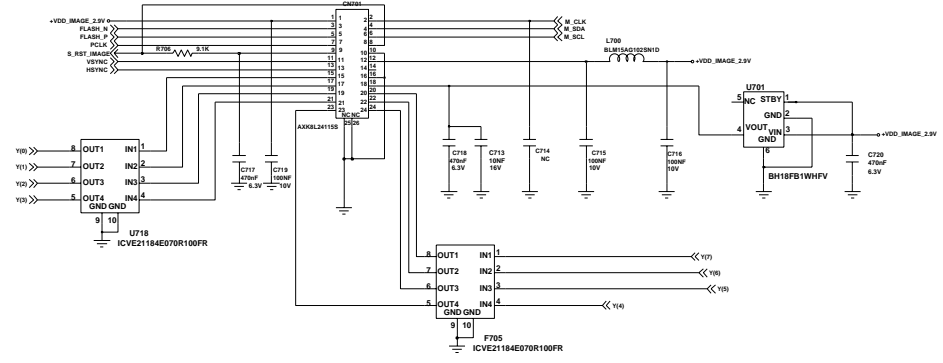
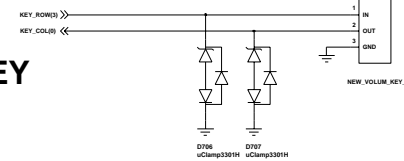


LCD_CONNECTOR F700 - F704 FILTER UPDATE !!

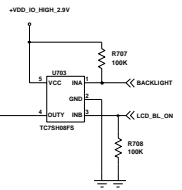
VOLUME_KEY



CAMERA_KEY



CAMERA_CONNECTOR



FLASH_LED_DRIVER_SINGLE_TYPE

