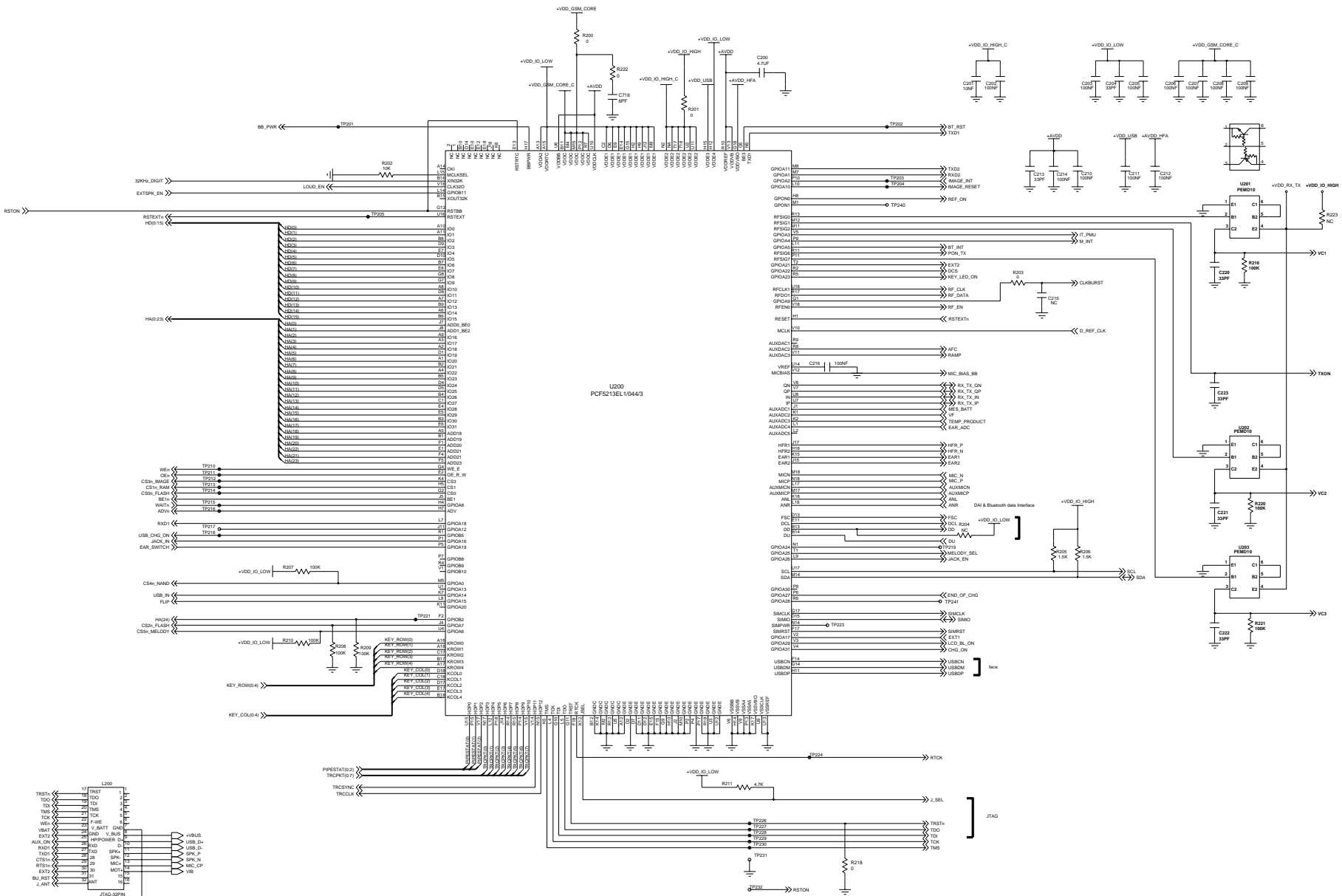
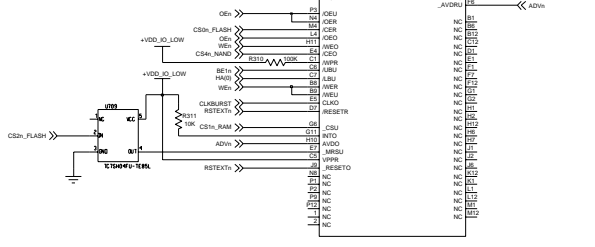
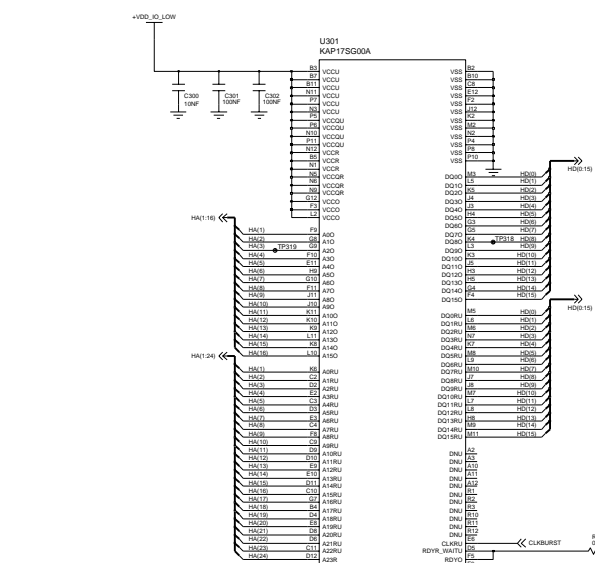


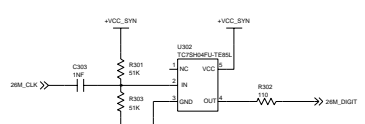
	FEW1	FEW2	FEW3
Tx(GSM900)	H	L	L
Tx(DCS1800/1900)	L	H	L/H
Rx(GSM900)	L	L	L
Rx(DCS 1800)	L	L	L
Rx(PCS1900)	L	L	H



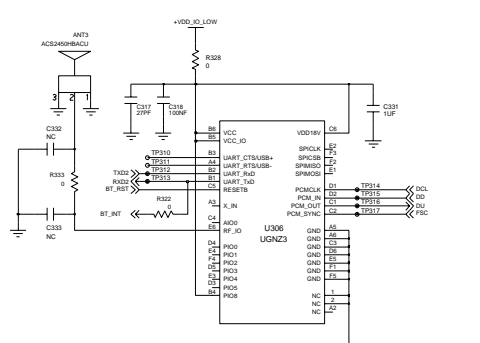
## J-TAG 32 PINS



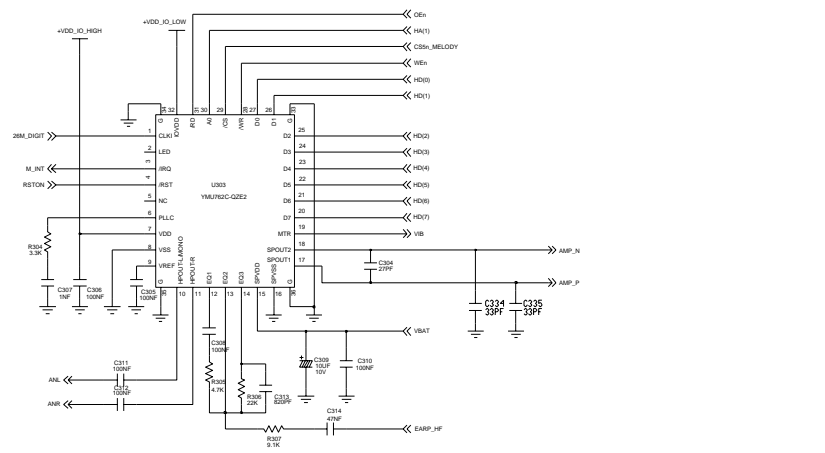
### MEMORY



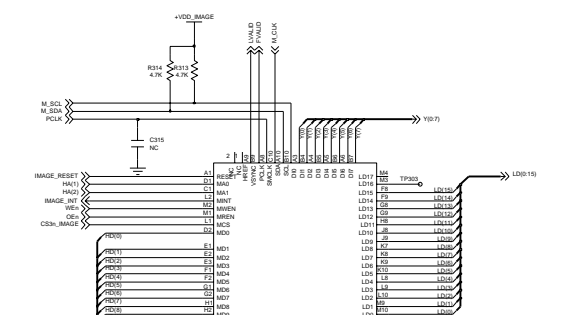
### LEVEL SHIFT



### BLUE TOOTH

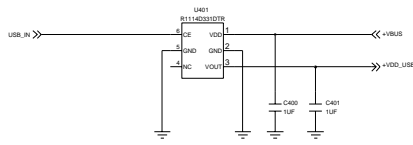


### MELODY IC

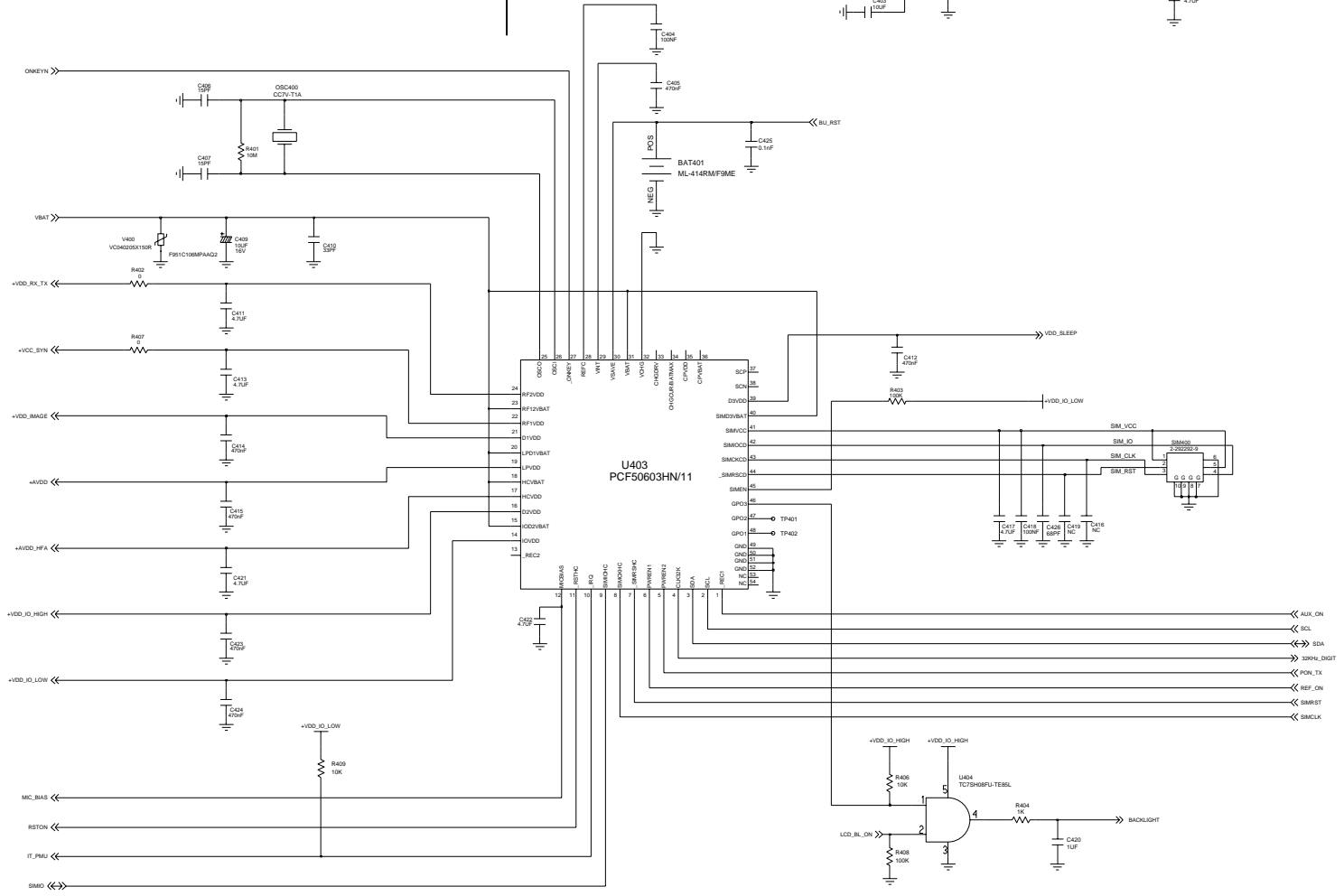
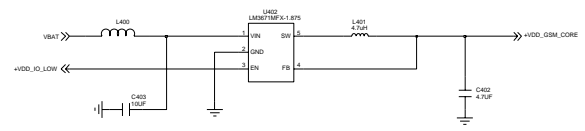


### IMAGE\_DSP

# LDO

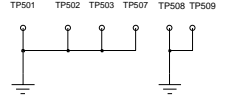
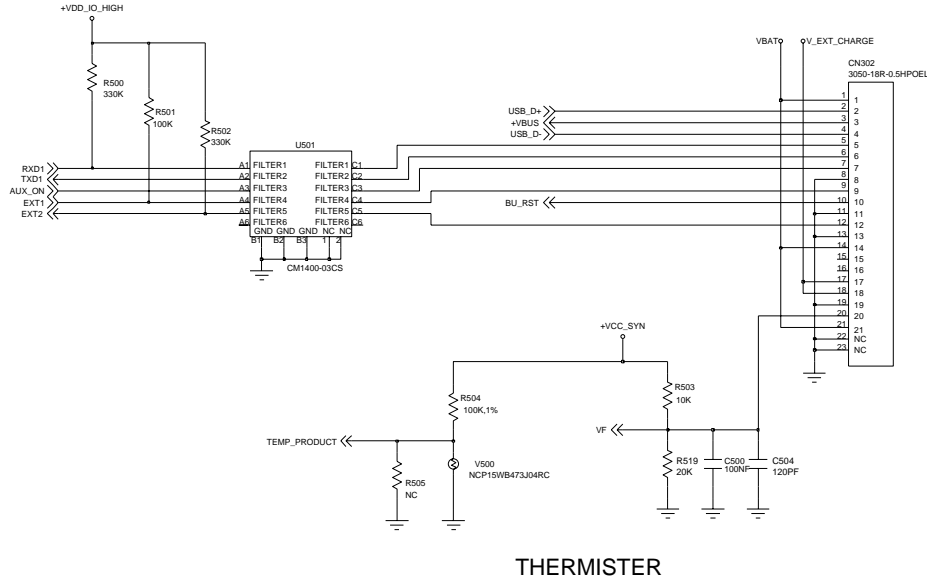


# DC/DC Down Converter(1.8Volt)

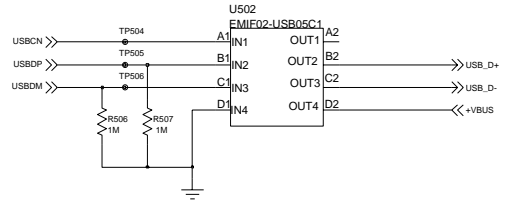


VDD_I0_HIGH	2.9V
VDD_I0_LOW	1.8V
VDD_VB	2.9V
VDD_RANGE	1.9V
VDD	2.9V
AVDD_HFA	2.9V
VCC_RX_TX	2.8V
VCC_SYN	2.8V
VDD_GSM_CORE	1.8V
VDD_CORE_BT	1.8V
VDD_VB_2P	2.9V
VDD_4V	4V

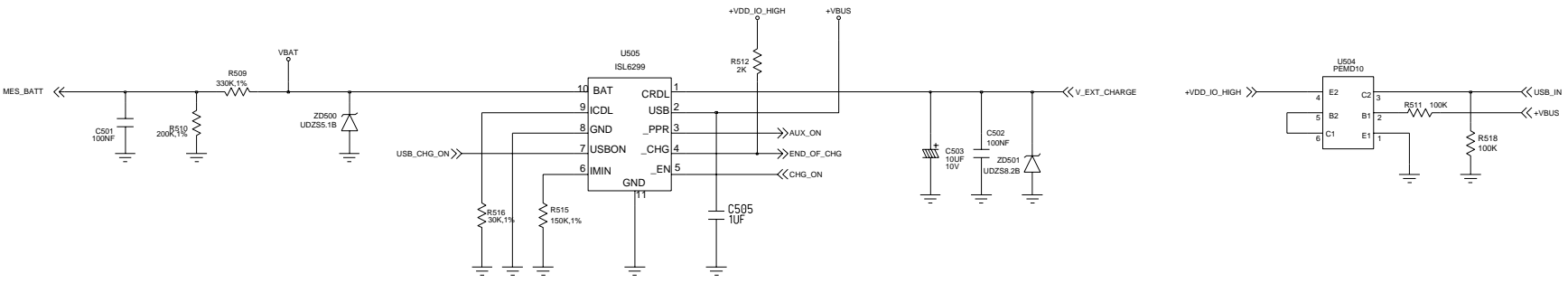
### Digital External Interface



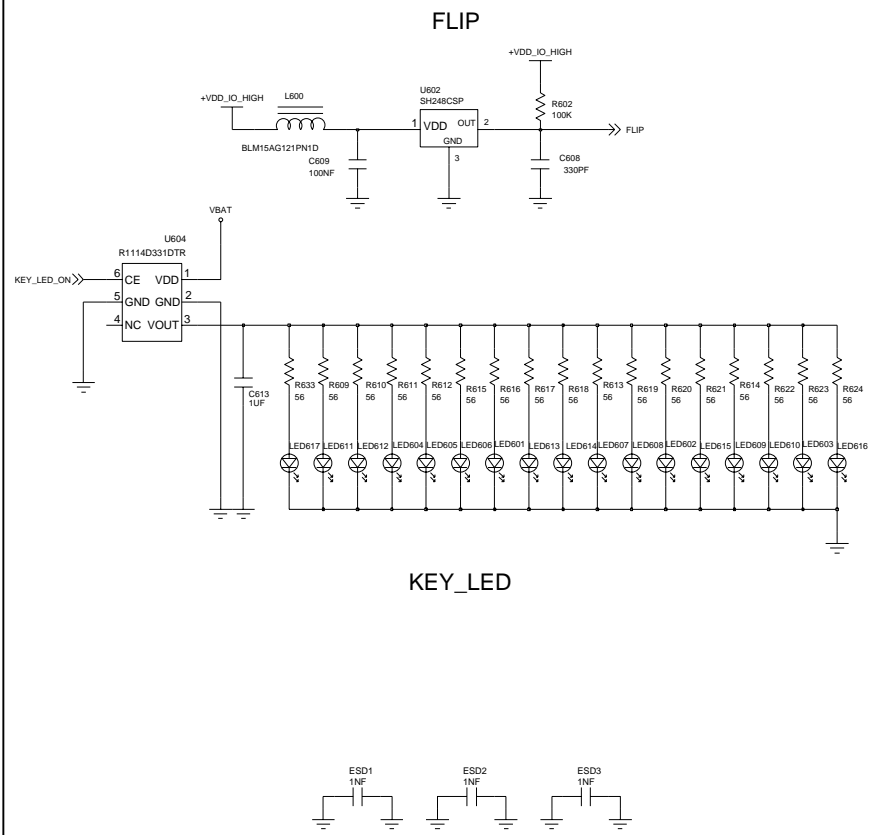
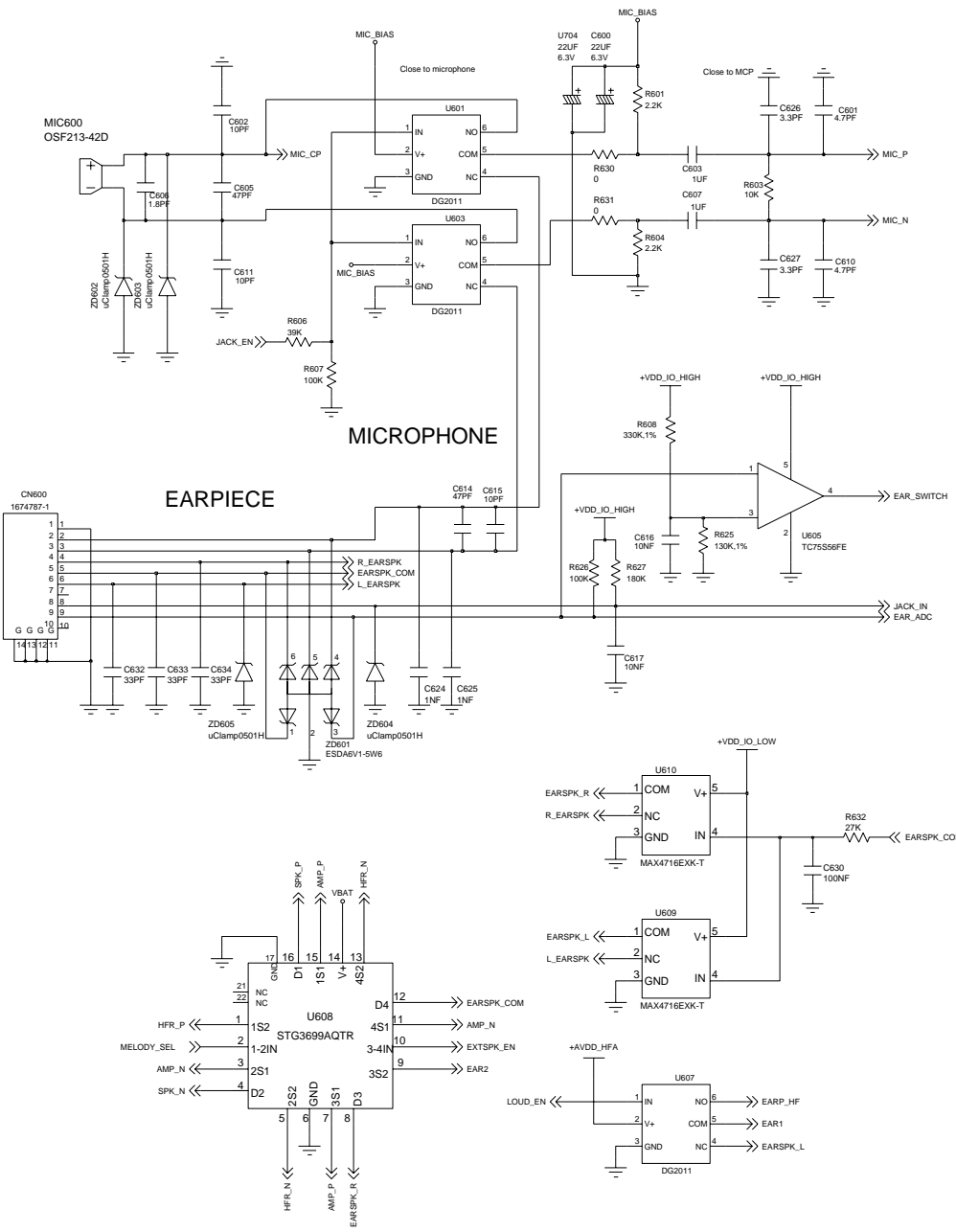
PCB\_HOLE



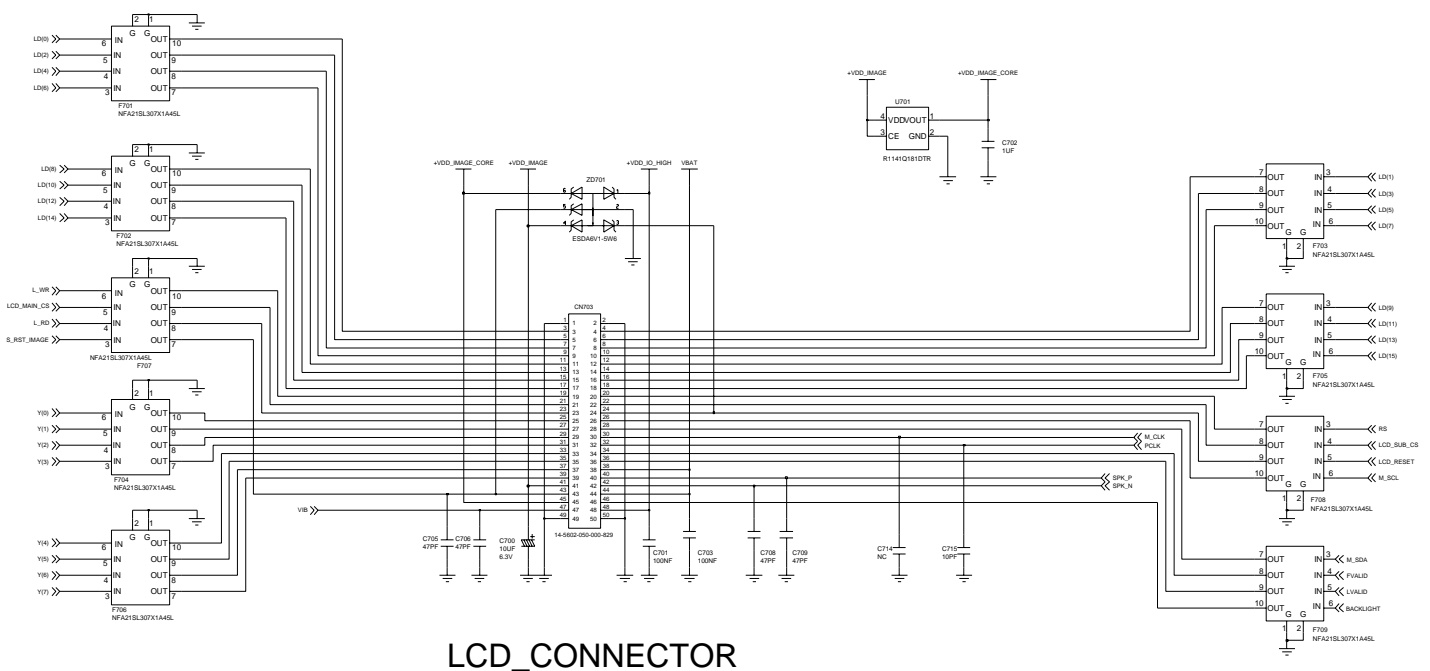
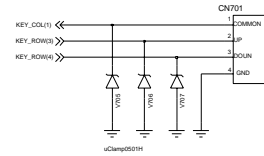
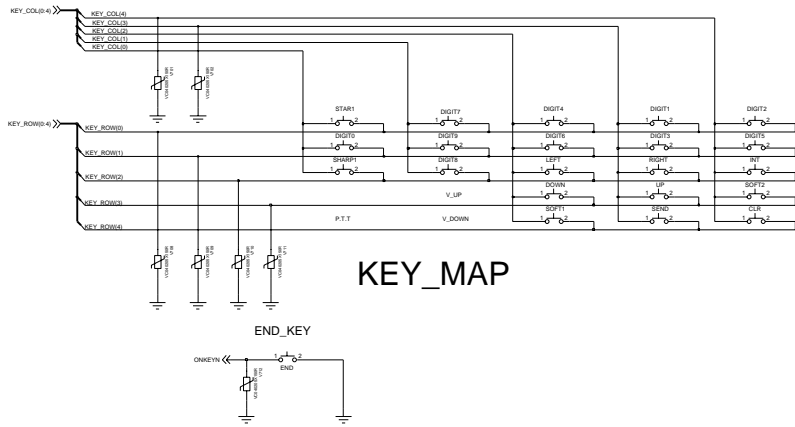
### BATTERY CHARGING



Title		
IF Connector & Charging Schematic		
Size	Document Number	Rev. BSC
A3	MERCEDES (SGH-E340)	Rev 1.1
Date:	2005.03.25	Sheet 5 of 7



Title		
<b>Audio &amp; Key Schematic</b>		
Size A3	Document Number MERCEDES (SGH-E340)	Rev B5E Rev 1.1
Date:	2005.03.25	Sheet 6 of 7



IF & LCD Connector Schematic			
Size: A3	Document Number: MERCEDES (SGH-E340)	Rev: 03	Rev 1.1
Date: 2005-03-25	Sheet: 7 of 7		

