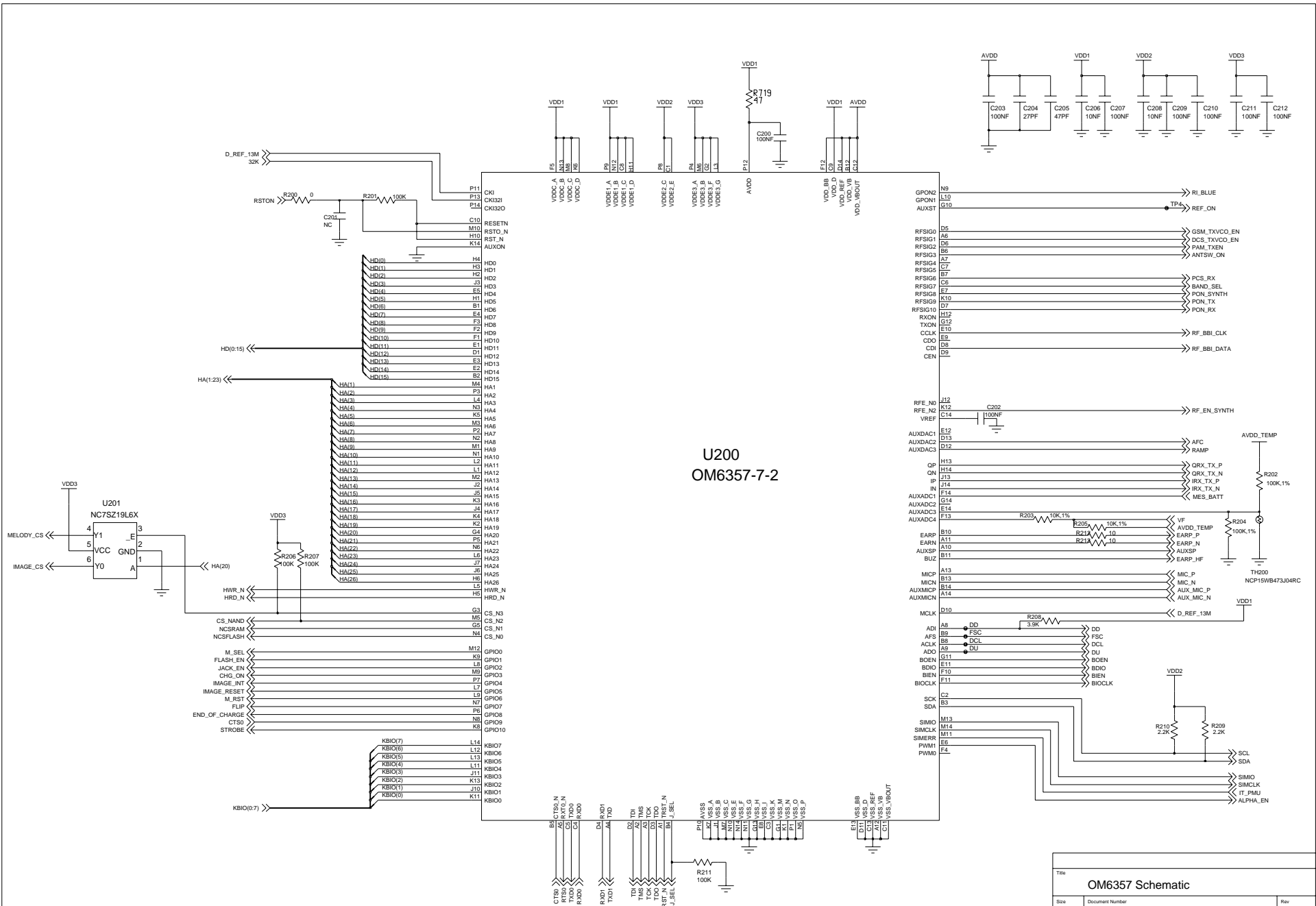
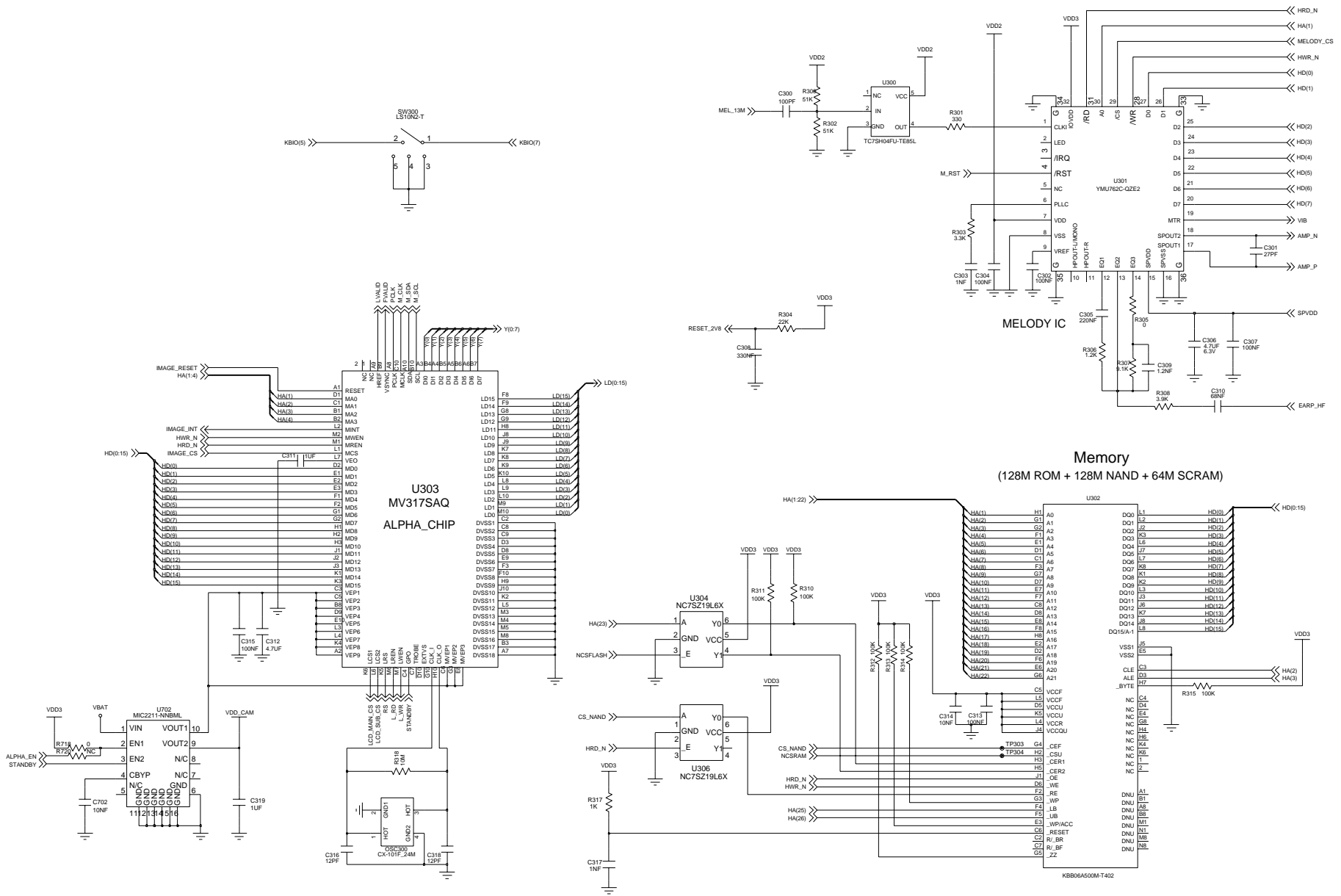


	VC1(VC_DCS)	VC2(VC_PCS)	VC3(VC_EGSM)
EGSM_TX	1	0	0
EGSM_RX	0	0	0
DCS/PCS_TX	0	1	0
DCS_RX	0	0	0
PCS_RX	0	0	1

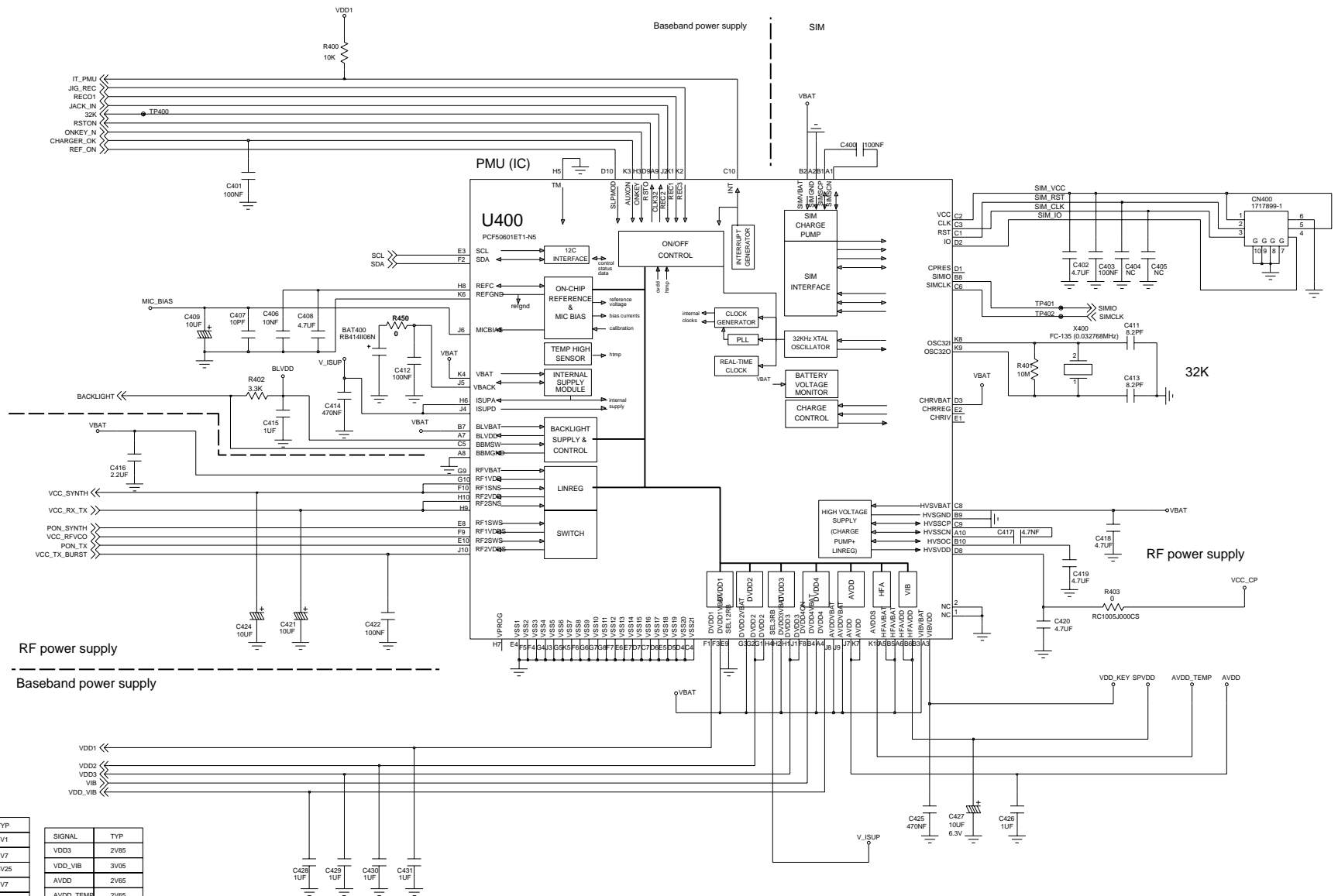


Title		
OM6357 Schematic		
Size	Document Number	Rev
A3	SAMSUNG/SGH-E330/B/OM6357	Rev1.4
Date:	2004.09.10	Sheet 2 of 7



Memory
(128M ROM + 128M NAND + 64M SCRAM)

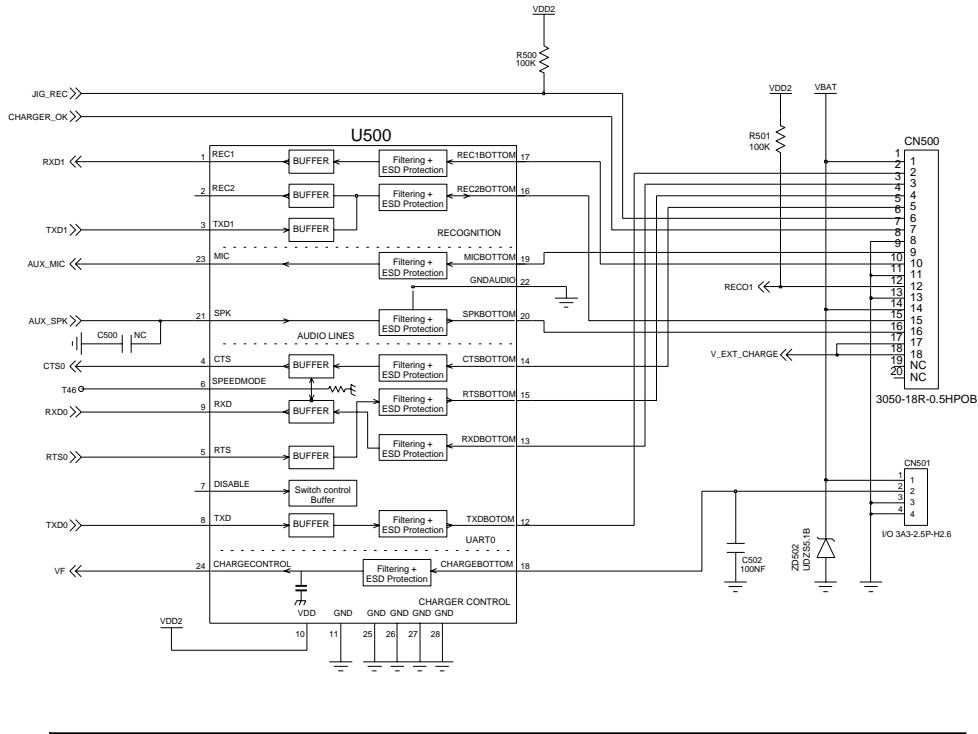
File		
Memory Schematic		
Size	Document Number	Rev
A3	SAMSUNG/SGH-E330/B.Memory & MELODY IC	Rev1.4
Date:	2004.09.10	Sheet 3 of 7



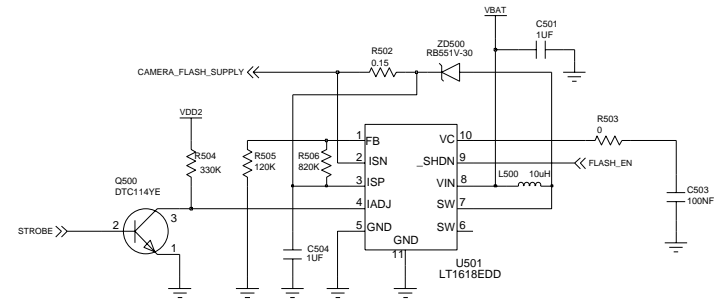
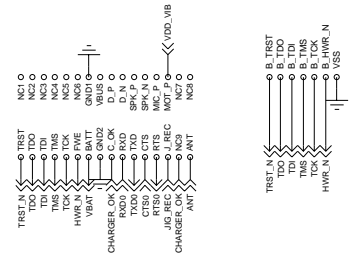
SIGNAL	TYP
MIC_BIAS	2V1
V_ISUP	2V7
BL_VDD	3V25
VCC_SYN	2V7
VCC_RX_TX	2V7
VCC_RF_VCO	2V7
VCC_RX_BURST	2V7
VDD1	1V35 2V35
VDD2	2V85

SIGNAL	TYP
VDD3	2V85
VDD_VIB	3V05
AVDD	2V85
AVDD_TEMP	2V65
VDD_AMP	3V05
VDD_KEY	2V95
VCC_CP	4V
SIM_VDD	3V 5V

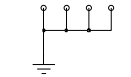
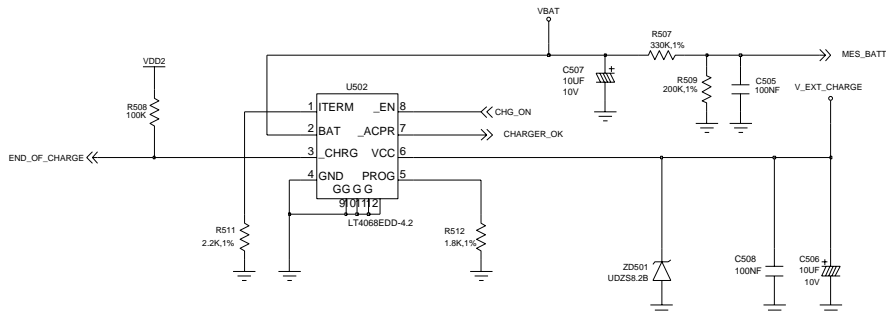
Digital External Interface



NEW-SPEC J TAG

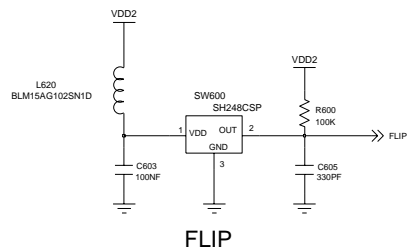
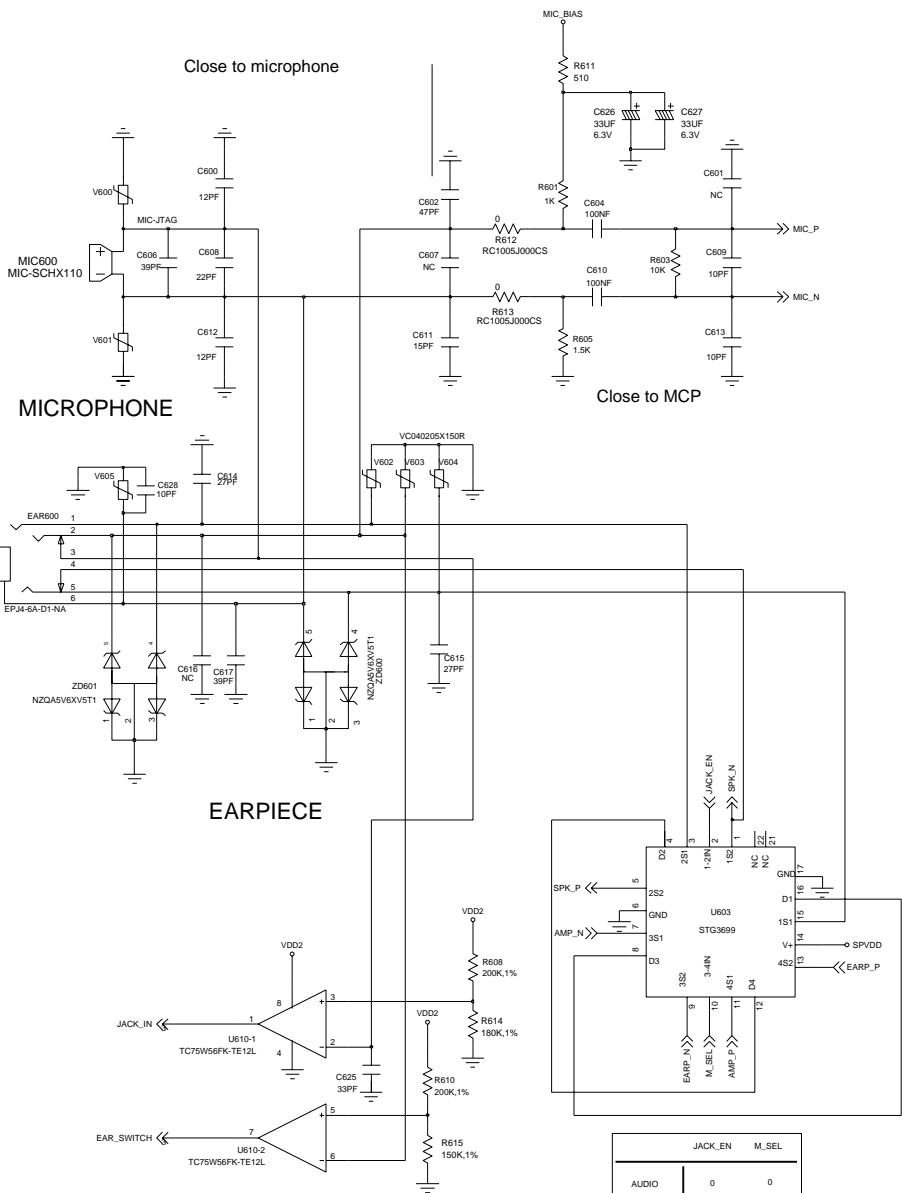


Charge of Battery

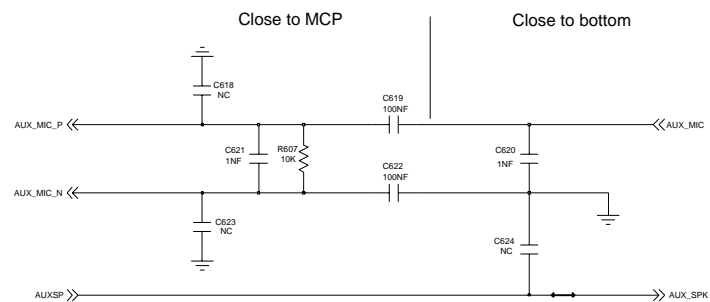
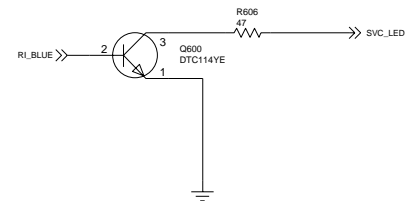


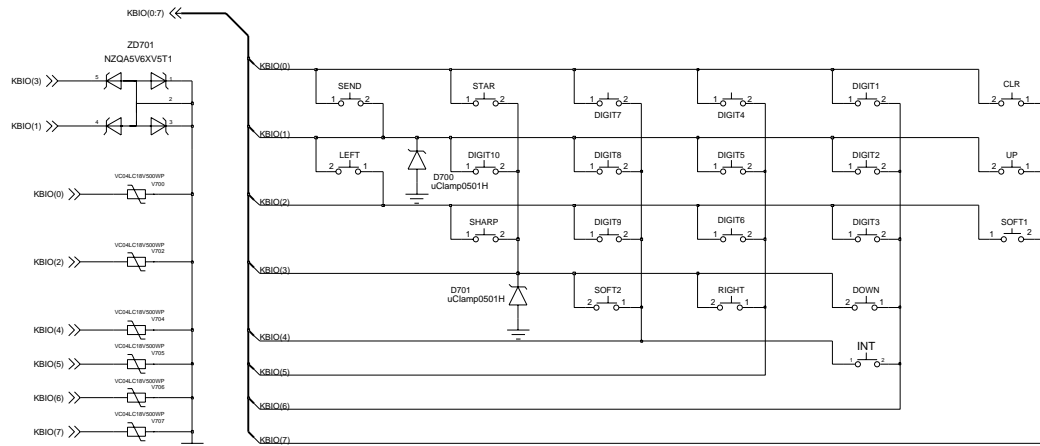
PCB_HOLE

IF Connector & Charging Schematic			
Title	IF Connector & Charging Schematic		
Size	Document Number	SAMSUNG/SGH-E330/B.B/IF & CHARGING	Rev
A3			Rev 1.4
Date:	2004.09.10	Sheet	5 of 7

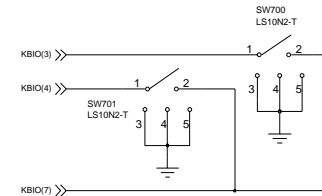


SERVICE_LED

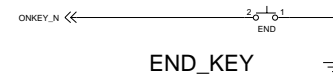




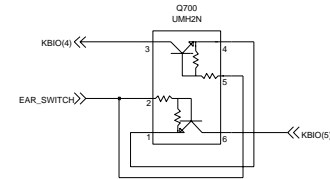
KEY_MAP



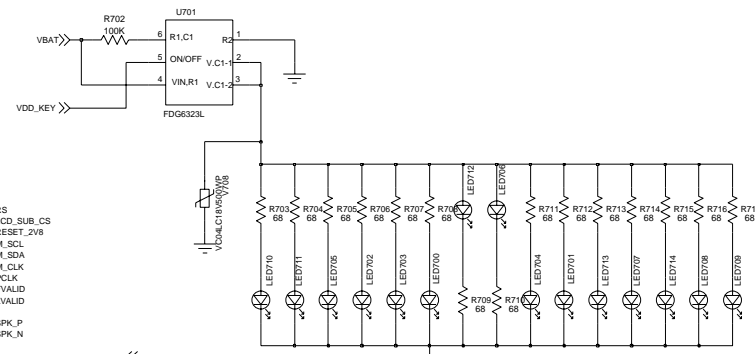
SIDE_KEY



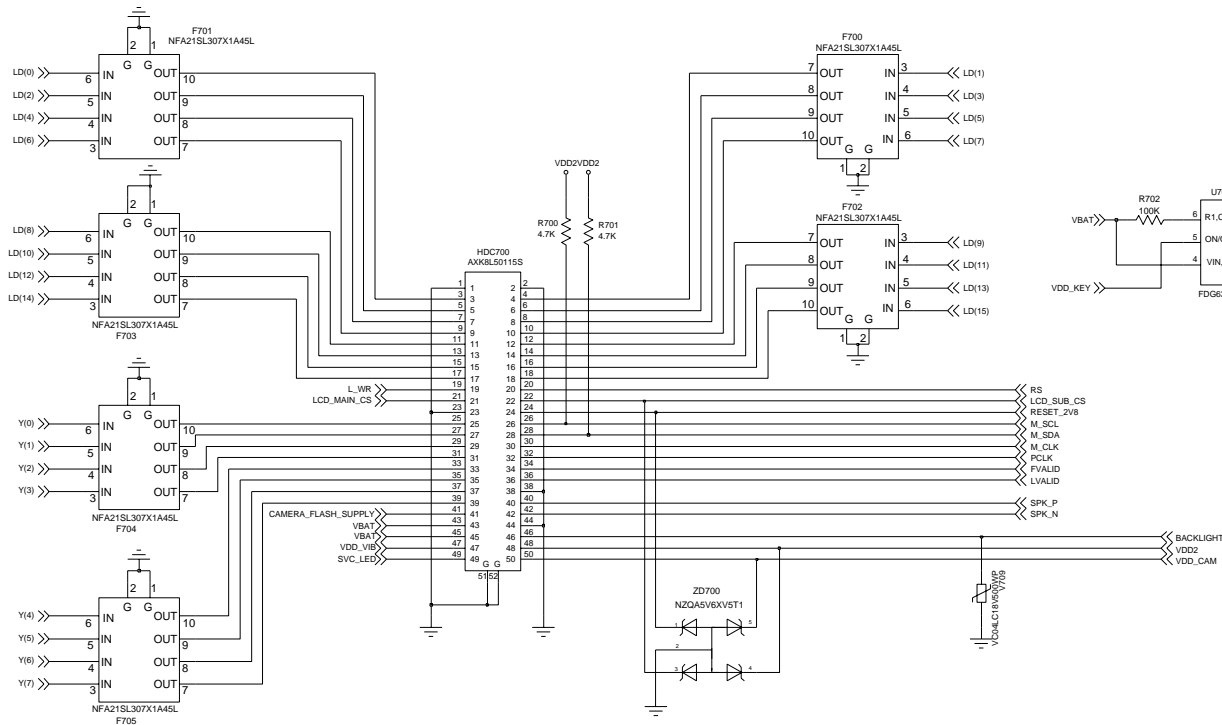
END_KEY



EARPHONE_SWITCH



KEY_LED



LCD_CONNECTOR

Title			
KEY Schematic			
Size	Document Number	Rev	
A3	SAMSUNG/SGH-E330/B.BIKEY	REV1.4	
Date:	2004.09.10	Sheet	7 of 7