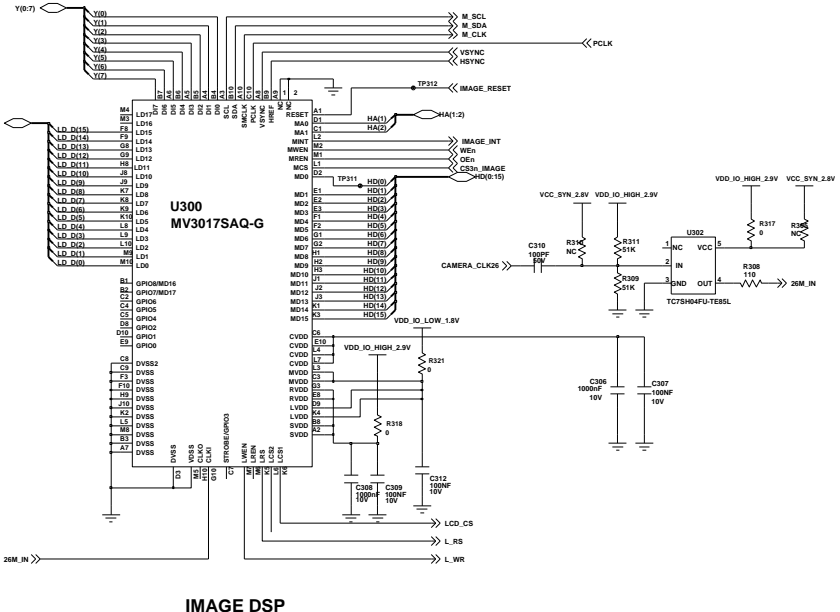
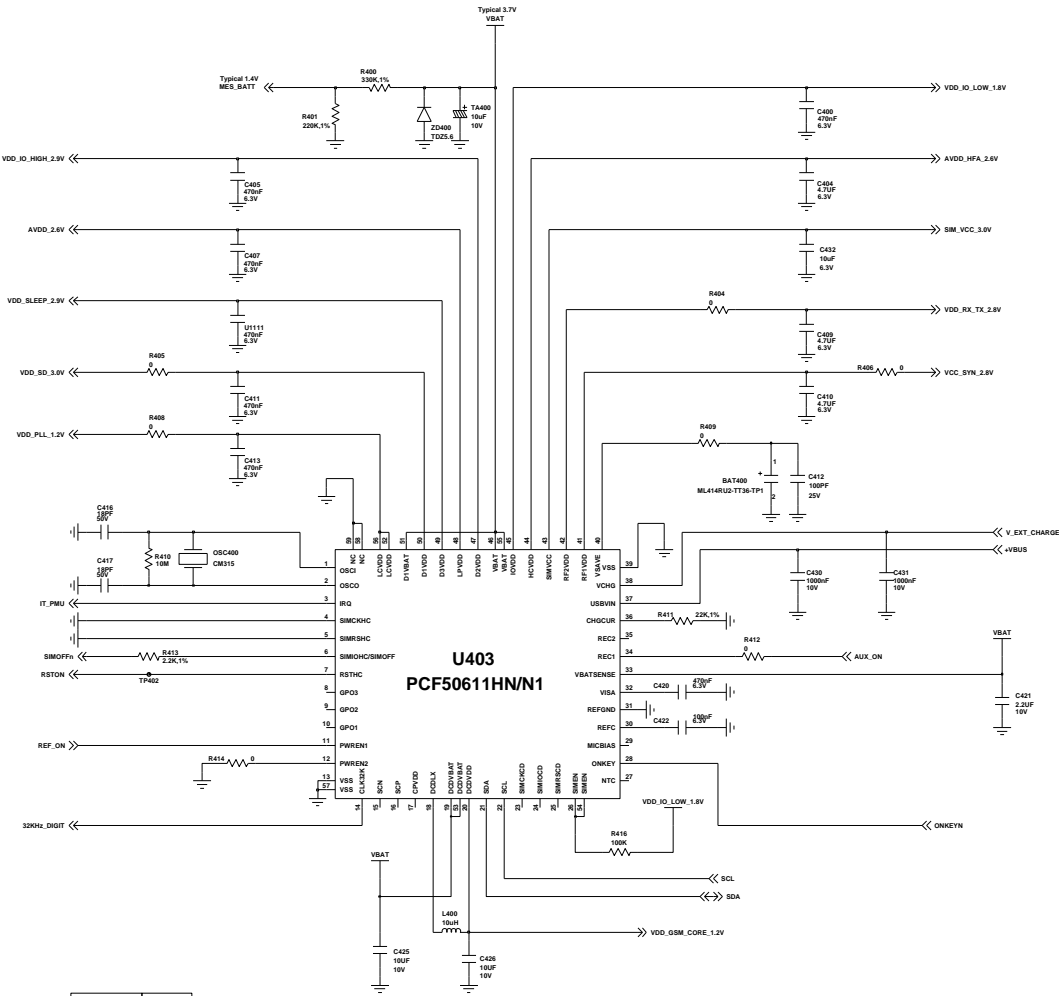


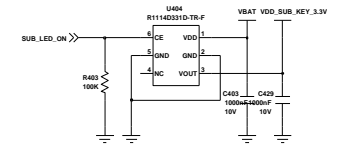
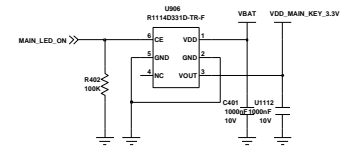
BOTH HOLE

**UCP200
PNX5230EL1/1473A**

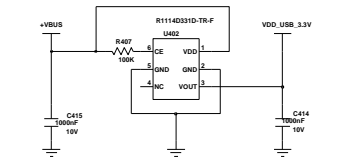




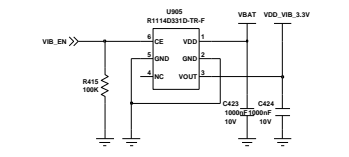
VDD_IO_HIGH 2.9V	2.9V
VDD_IO_LOW 1.8V	1.8V
VDD_VIB 3.3V	3.3V
VDD_SLEEP 3.0V	2.9V
AVDD 2.8V	2.8V
AVDD_HFA 2.8V	2.8V
VDD_RX_TX 2.8V	2.8V
VCC_STN 2.8V	2.8V
VDD_GSM_CORE 1.2V	1.2V
VDD_PLL 1.2V	1.2V
SM_VCC 3.0V	3.0V



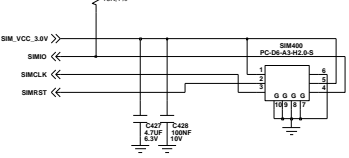
KEY LED LDO



USB POWER



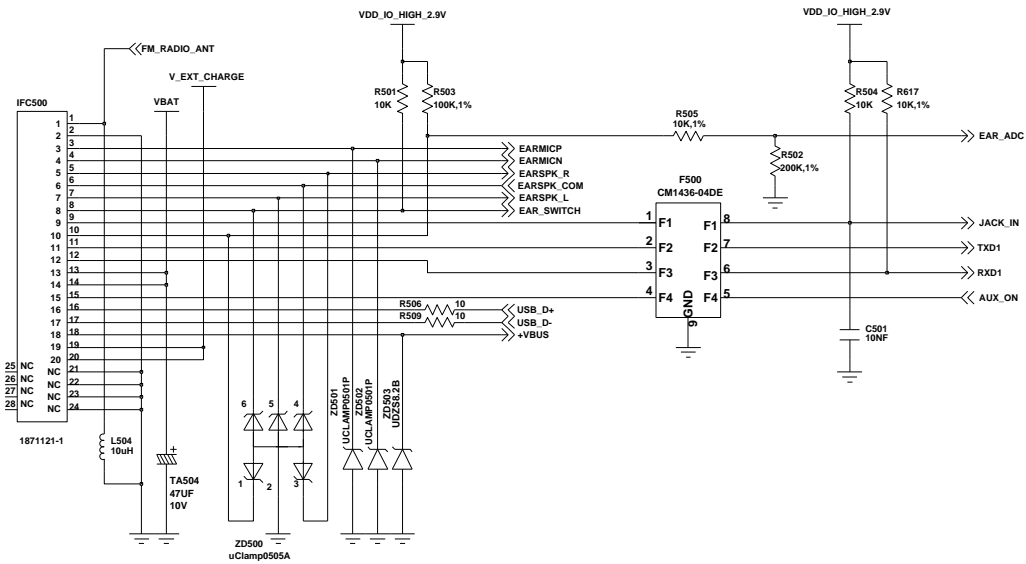
VIB POWER



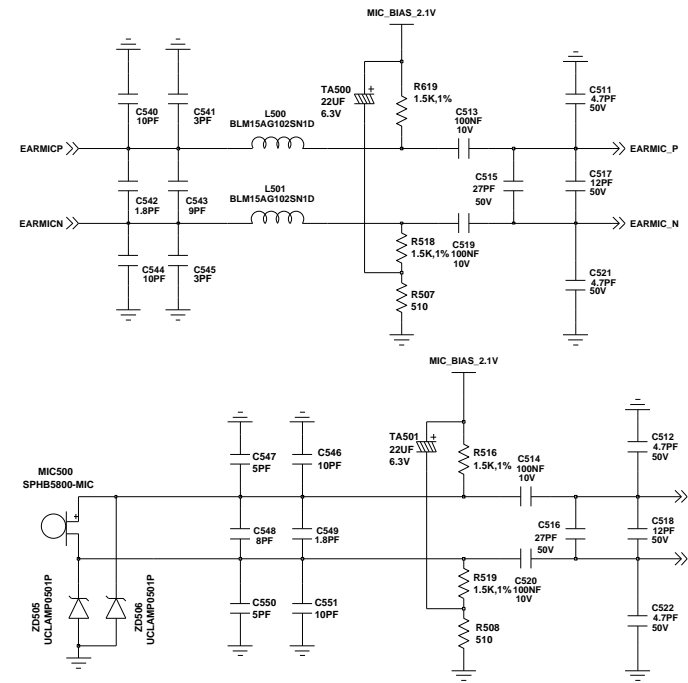
SIM CON

SAMSUNG PROPRIETARY

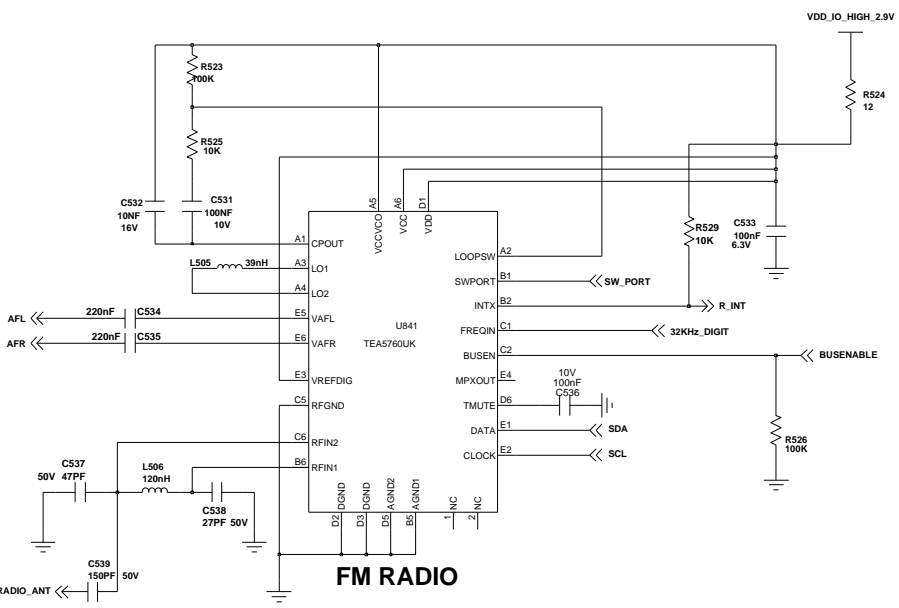
THIS DOCUMENT CONTAINS CONFIDENTIAL PROPRIETARY INFORMATION THAT IS SAMSUNG ELECTRONICS CO.'S PROPERTY. DO NOT DISCLOSE TO OR DUPLICATE FOR OTHERS EXCEPT AS AUTHORIZED BY SAMSUNG.



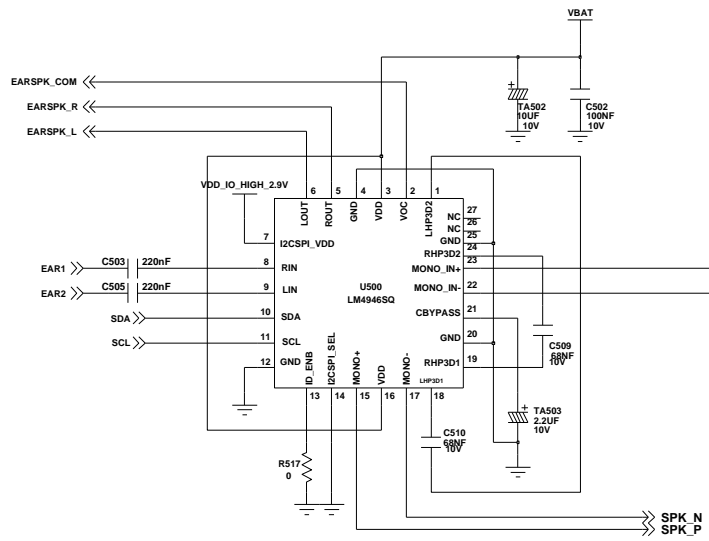
IF CON & EARJACK



MIC PART

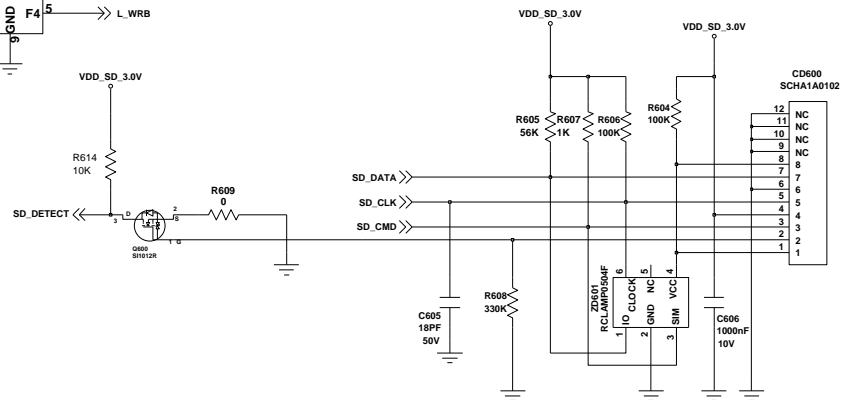
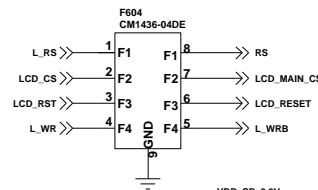
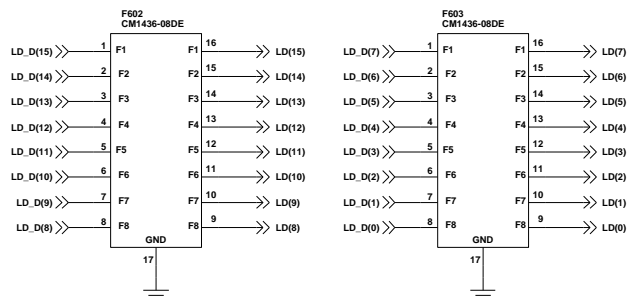


FM RADIO

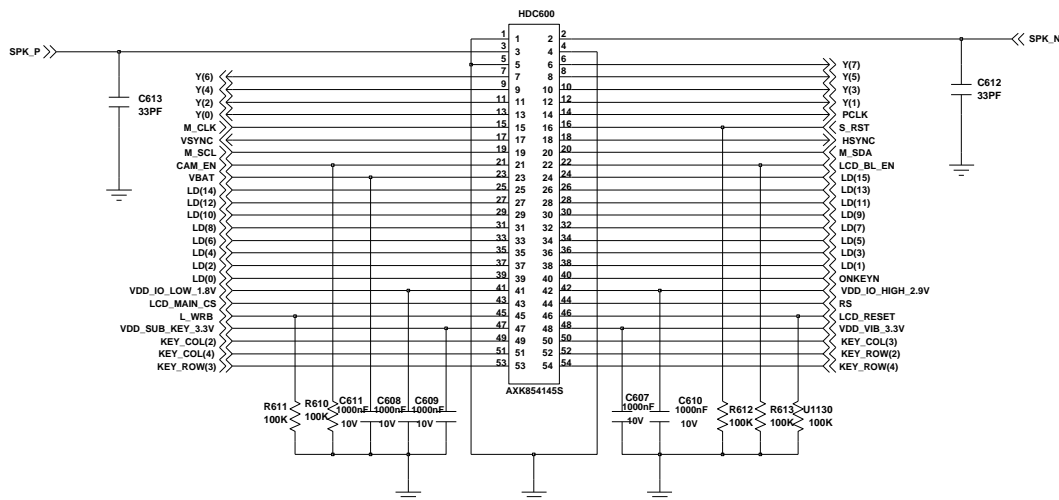


AUDIO AMP

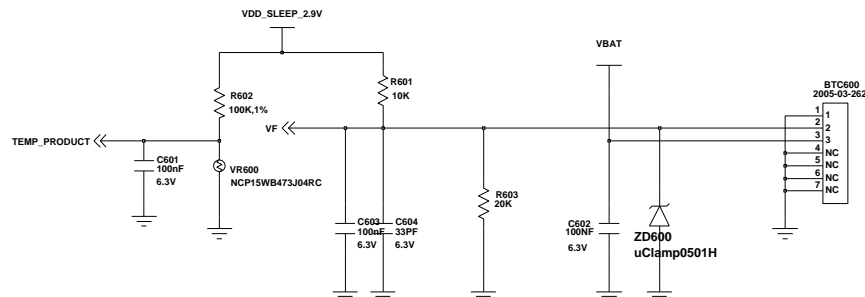
Title		
AUDIO / FM RADIO / IF CON Schematic		
Document Number	SAMSUNG / SGH-E250D	Rev 1.3
Date:	2007.06.30	Sheet 5 of 6



u-SD CARD SOCKET

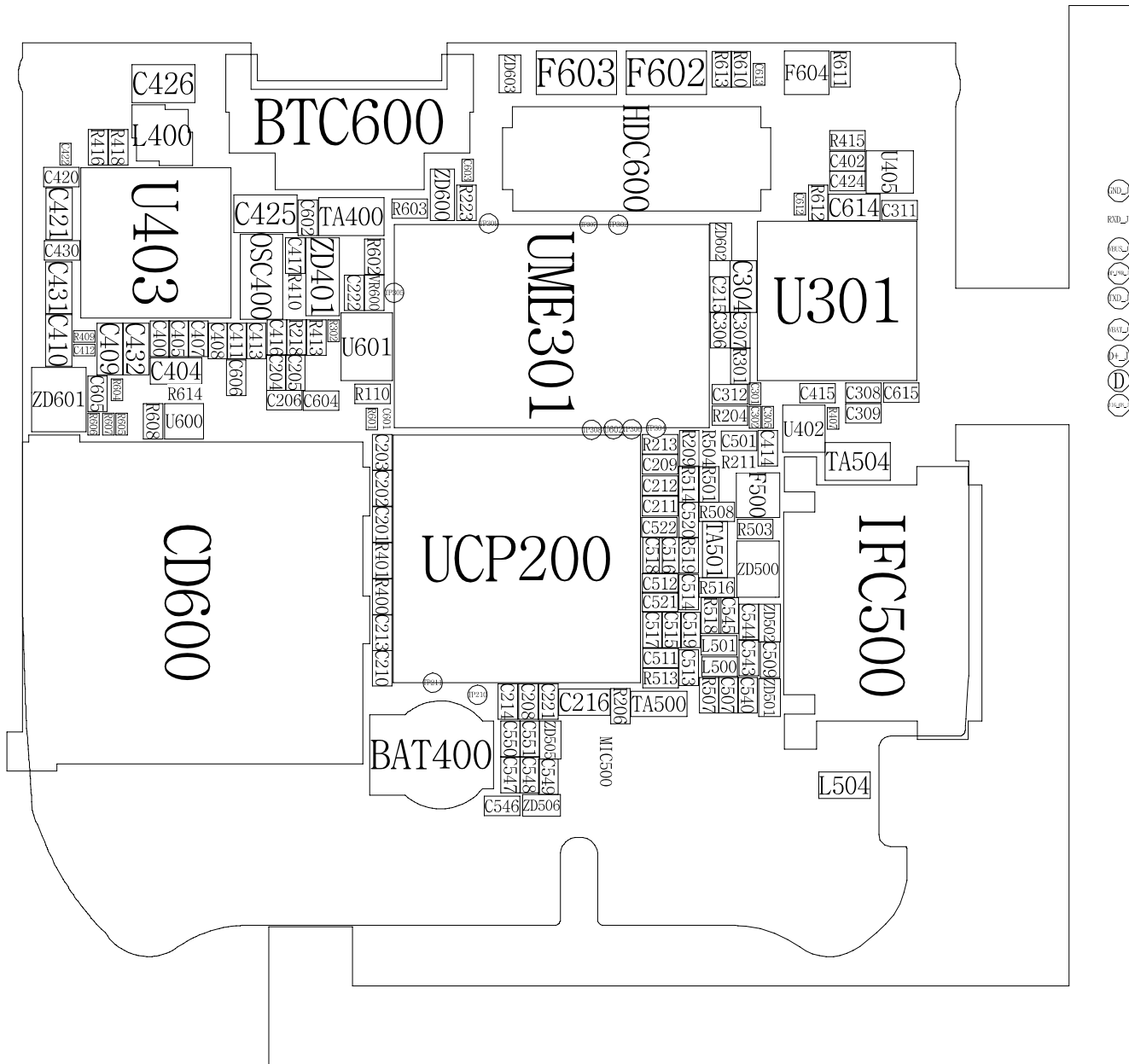


LCD_CONNECTOR



BATT CONTACT

Title		
LCD / SD Card / BATT Con Schematic		
Document Number	SAMSUNG / SGH-E250D	Rev 1.3
Date:	2007.06.30	Sheet 6 of 6



- (ND)
- (RD)
- (RD)
- (RD)
- (RD)
- (RD)
- (RD)
- (RD)

