

**UCP200
PNX5230EL1/1473A**

BOTH HOLE

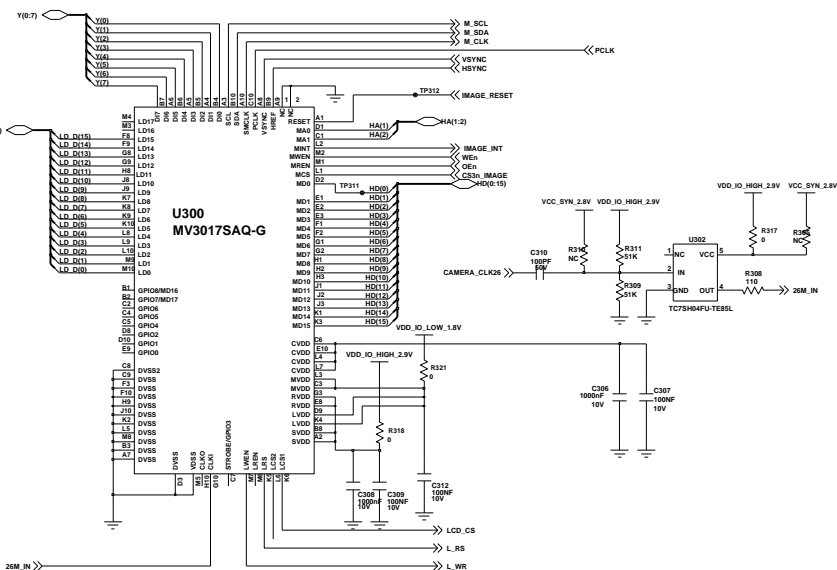
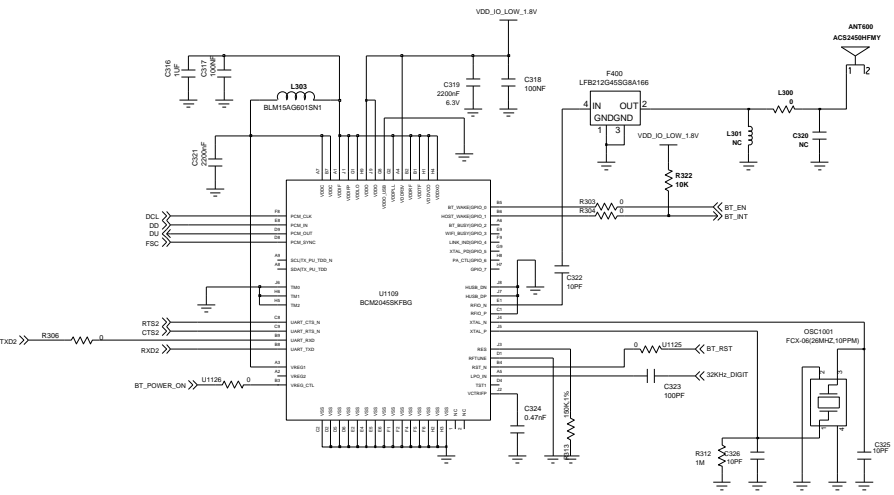
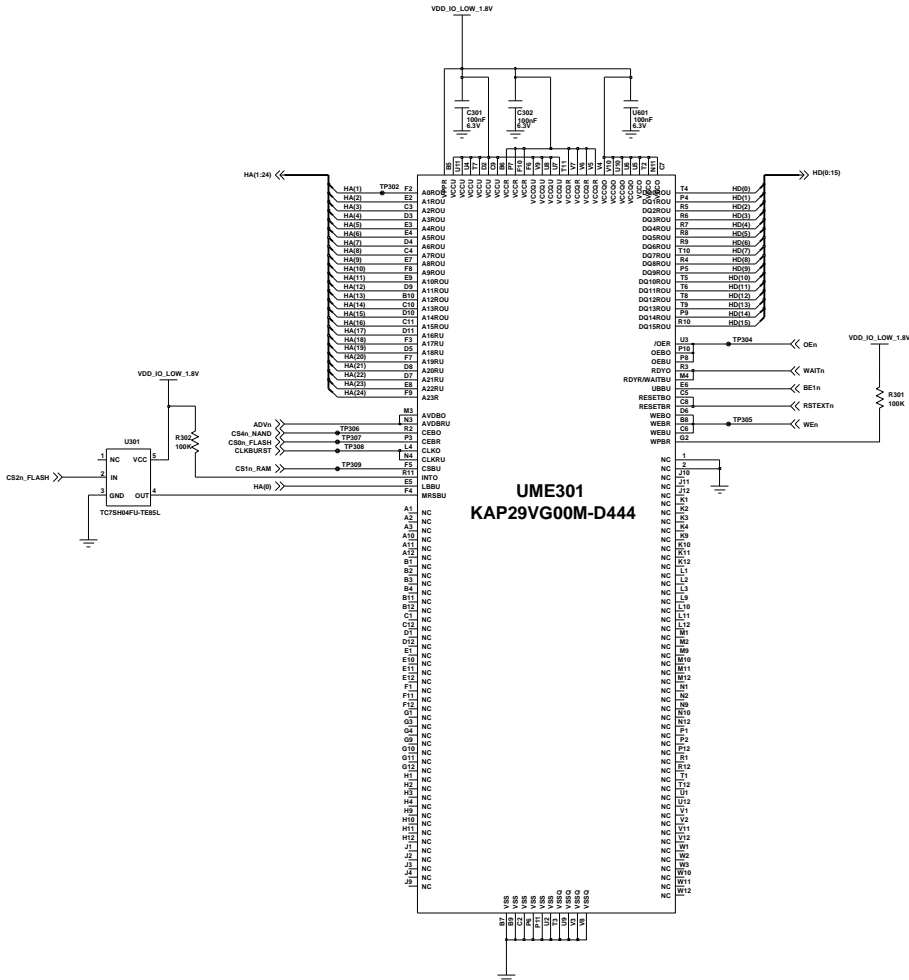


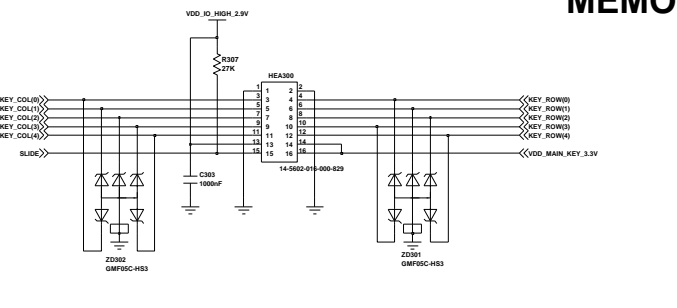
IMAGE DSP



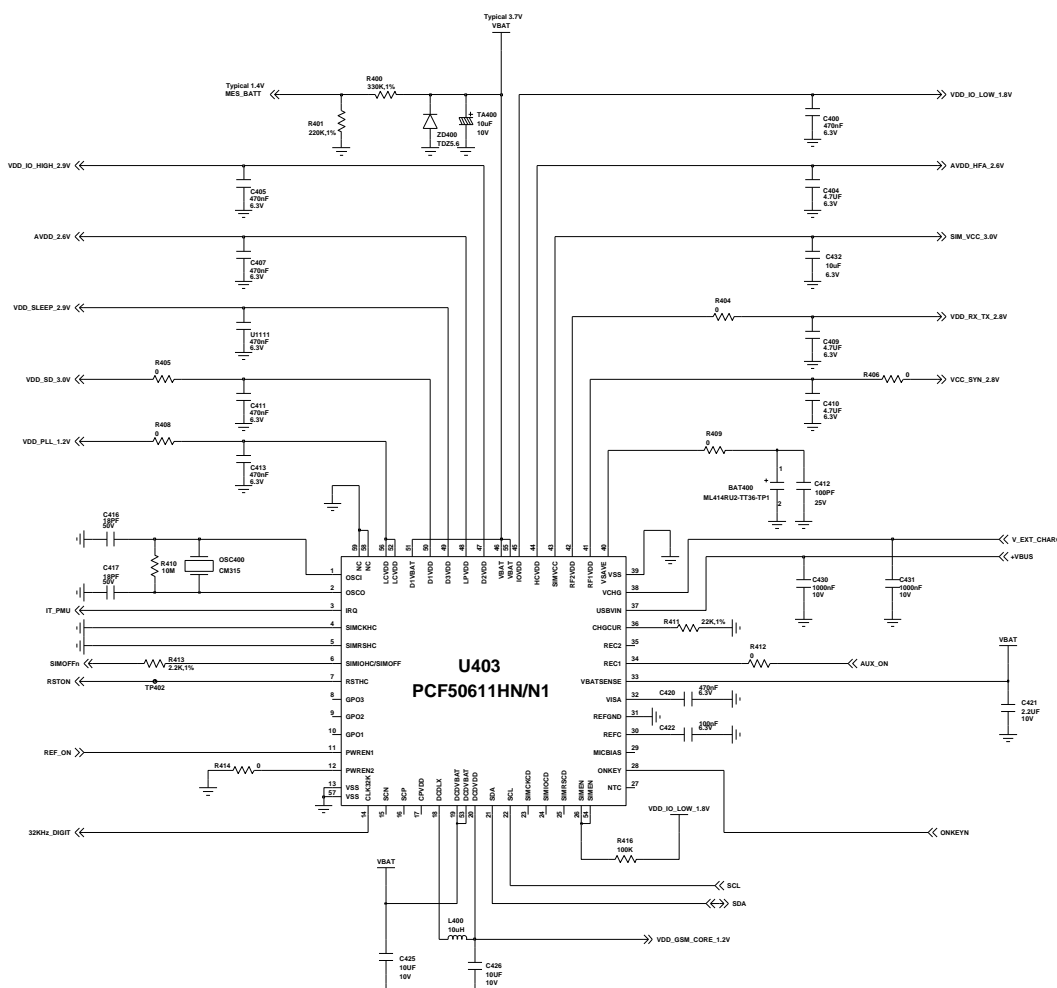
BLUE TOOTH



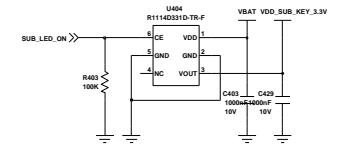
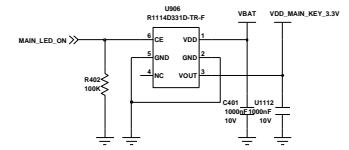
MEMORY



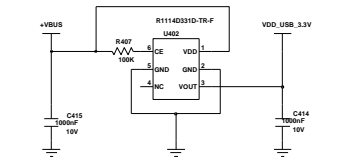
MAIN KEY CON



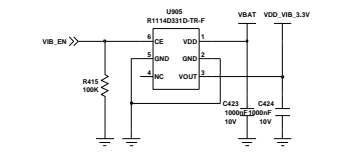
VDD_IO_HIGH_2.9V	2.9V
VDD_IO_LOW_1.8V	1.8V
VDD_VIB_3.3V	3.3V
VDD_SLEEP_3.0V	2.9V
AVDD_2.8V	2.8V
AVDD_HFA_2.8V	2.8V
VDD_RX_TX_2.8V	2.8V
VCC_STN_2.8V	2.8V
VDD_GSM_CORE_1.2V	1.2V
VDD_PLL_1.2V	1.2V
SM_VCC_3.0V	3.0V



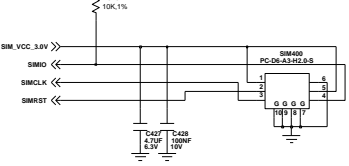
KEY LED LDO



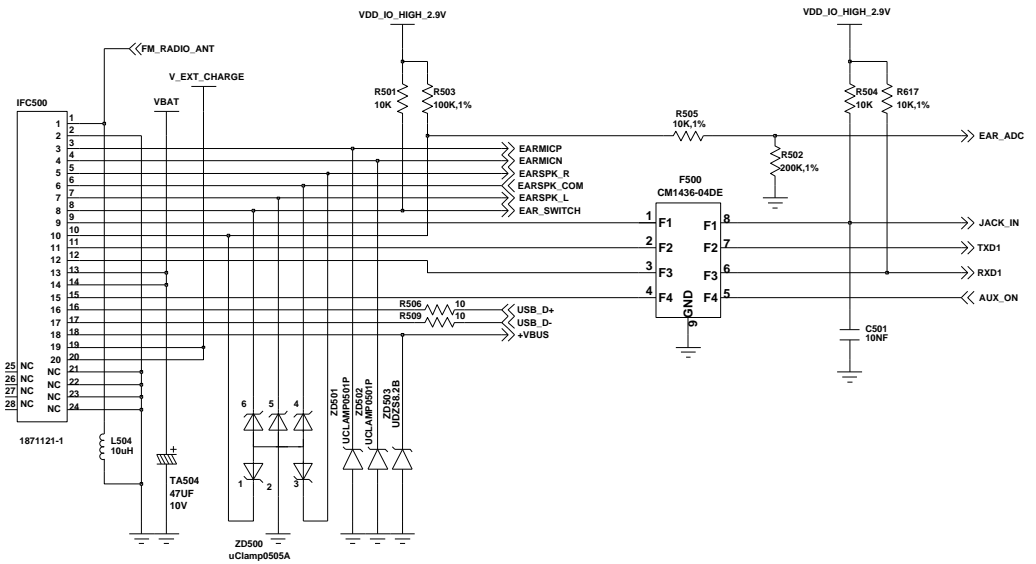
USB POWER



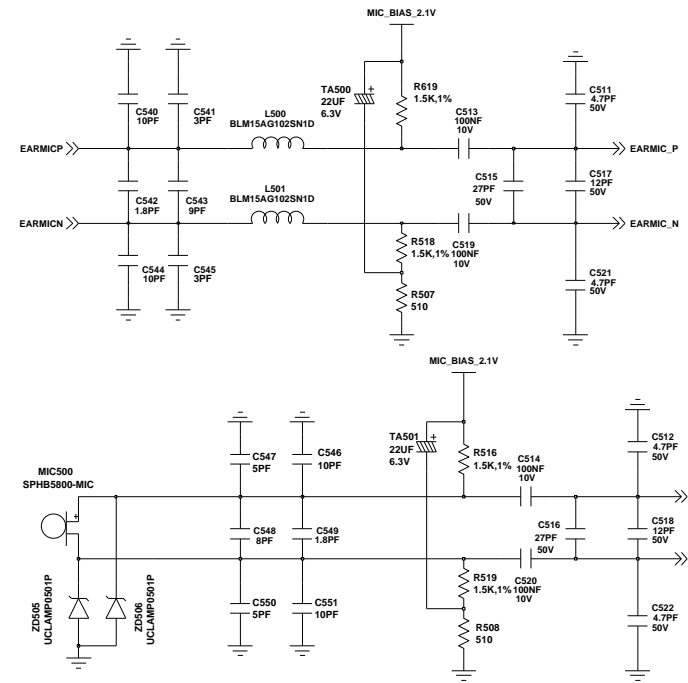
VIB POWER



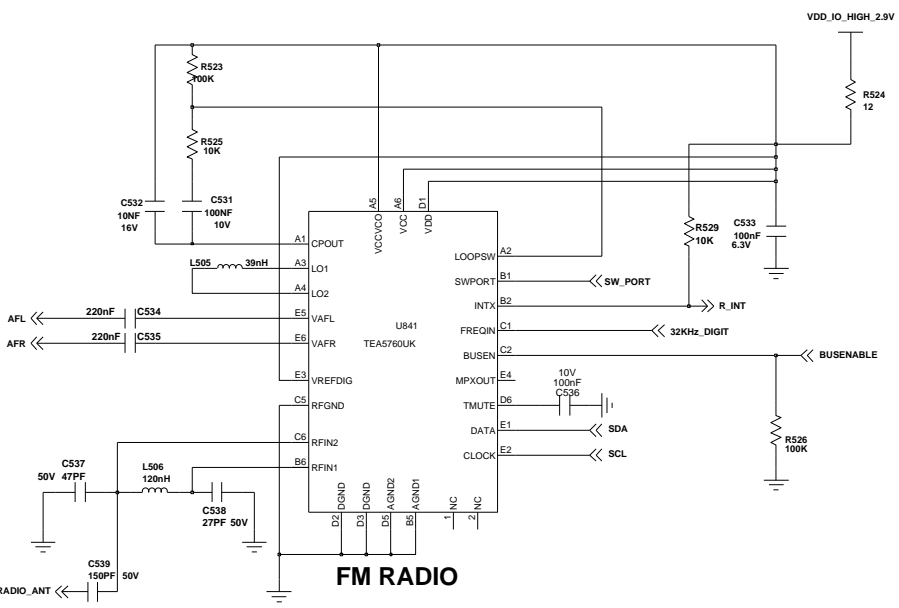
SIM CON



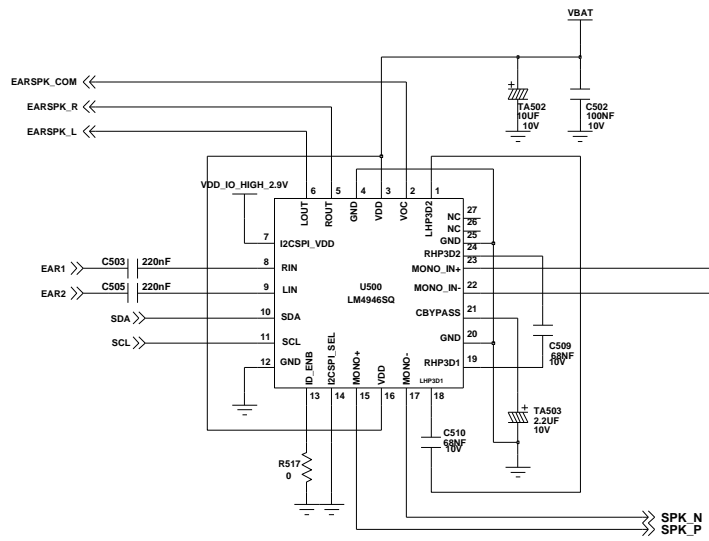
IF CON & EARJACK



MIC PART

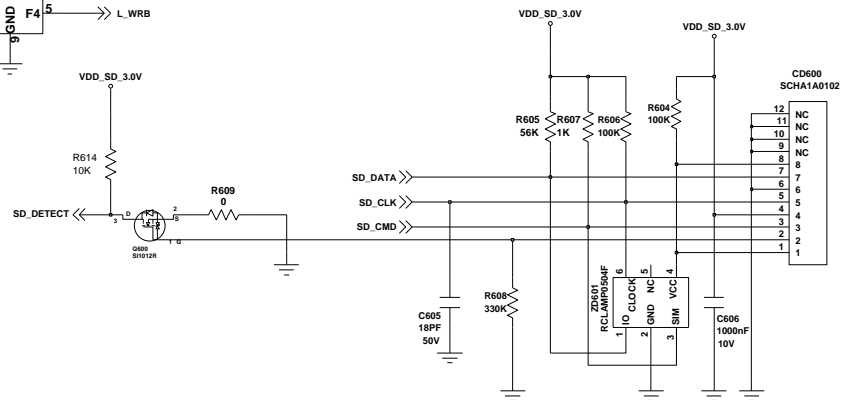
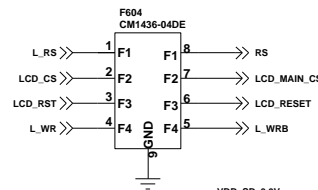
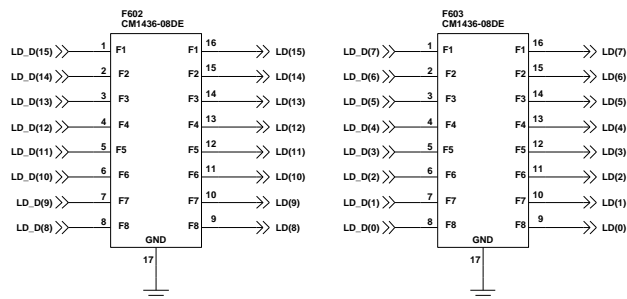


FM RADIO

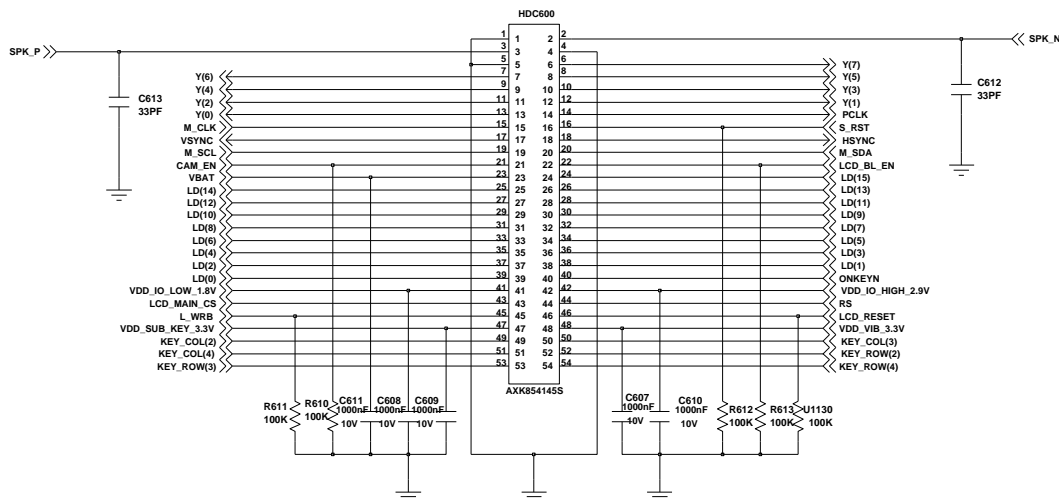


AUDIO AMP

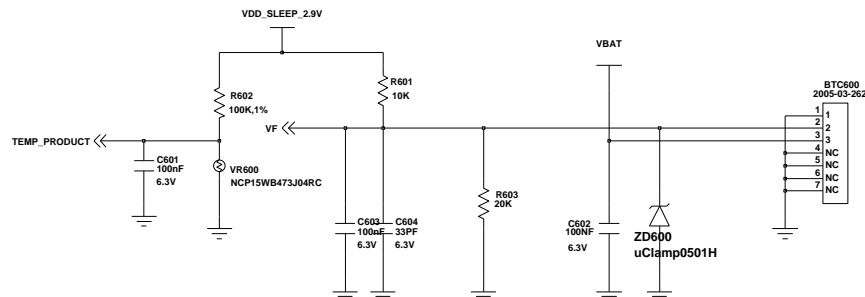
Title		
AUDIO / FM RADIO / IF CON Schematic		
Document Number	SAMSUNG / SGH-LIME	Rev 1.0
Date:	2006.07.22	Sheet 5 of 6



u-SD CARD SOCKET

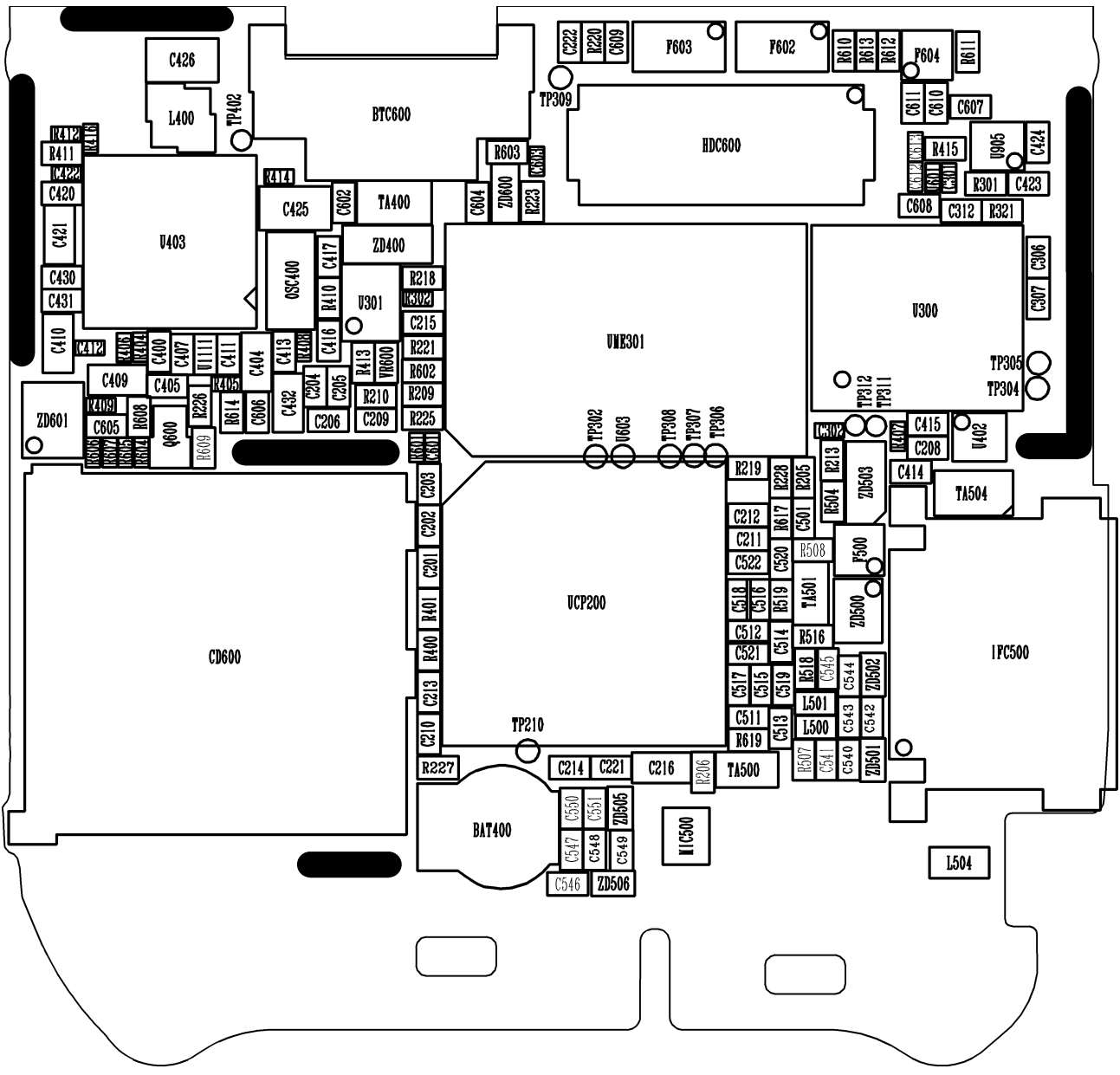


LCD_CONNECTOR



BATT CONTACT

Title LCD / SD Card / BATT Con Schematic		
Document Number	SAMSUNG / SGH-LIME	Rev 1.0
Date:	2006.07.22	Sheet 6 of 6



VBUS_J D RD_J VBAT_J
 GND_J Dh_J HP_PTR_J TxD_J



