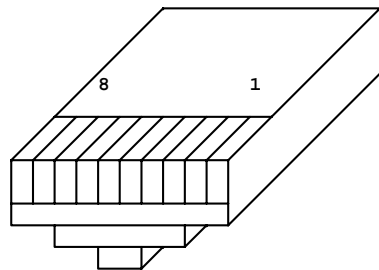
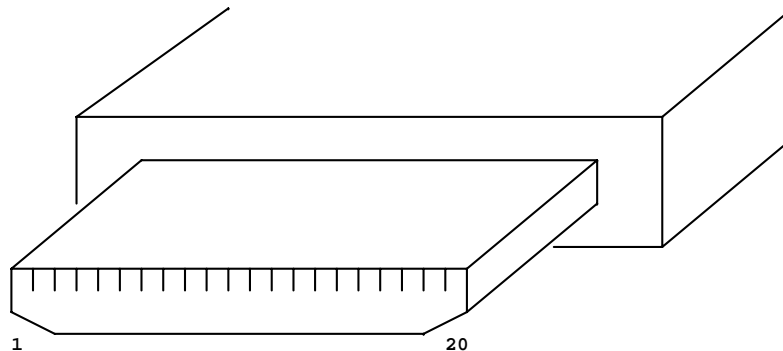
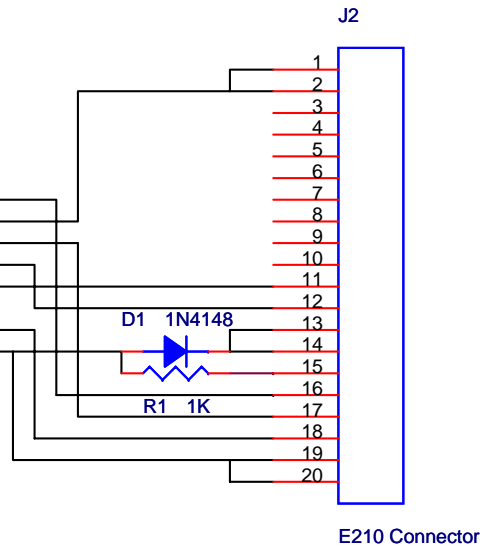


- RJ45:
 1-- Power ON
 2-- USB VPP
 3--
 4-- RX
 5-- TX
 6-- USB D-
 7-- GND
 8-- USB D+



RJ 45 Layout



E210 Connector Layout

Title		
E210 cable schematic for NsPro		
Size A	Document Number NsTeam	Rev 1.0
Date:	Saturday, September 01, 2007	Sheet 1 of 1