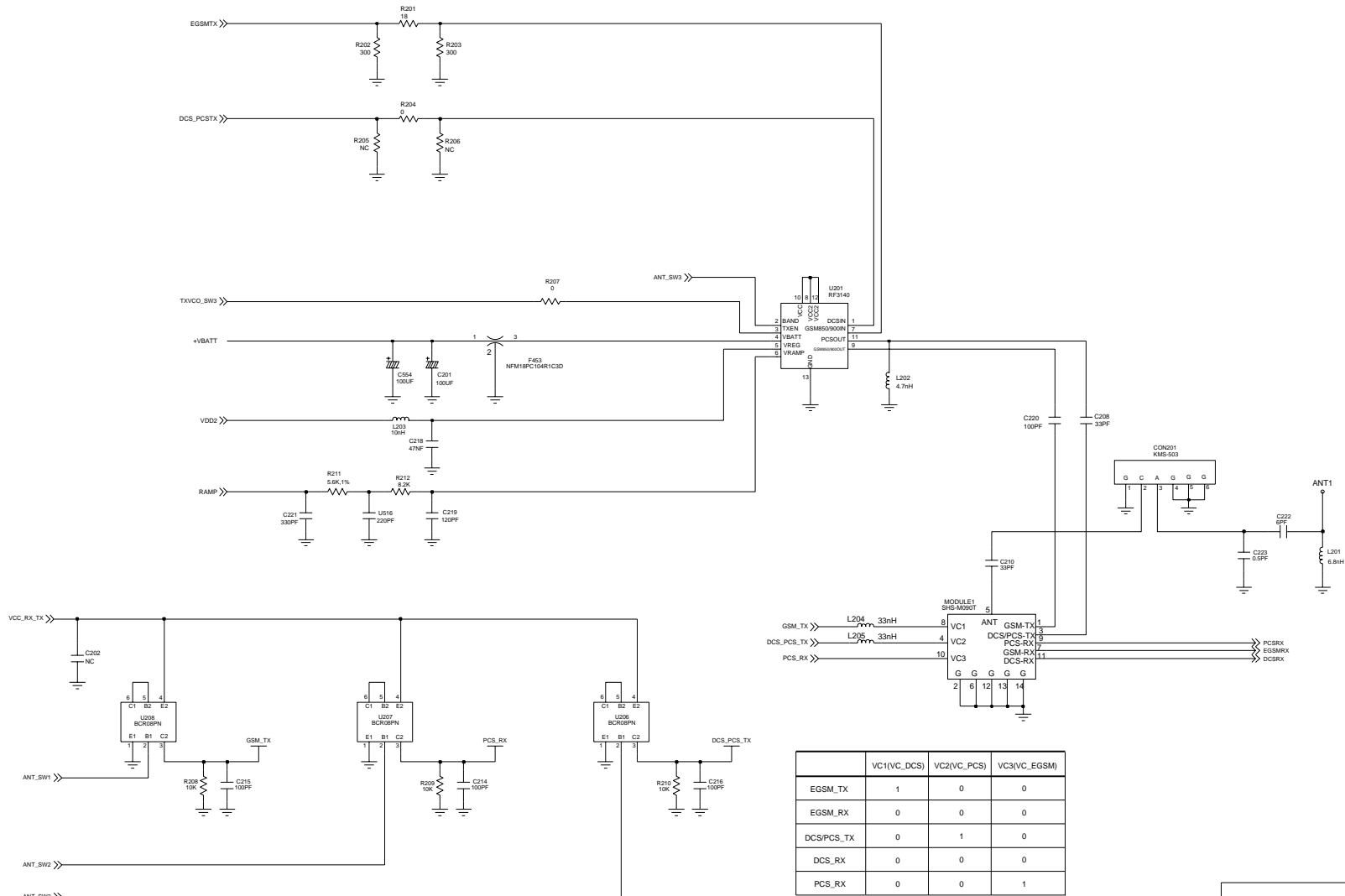
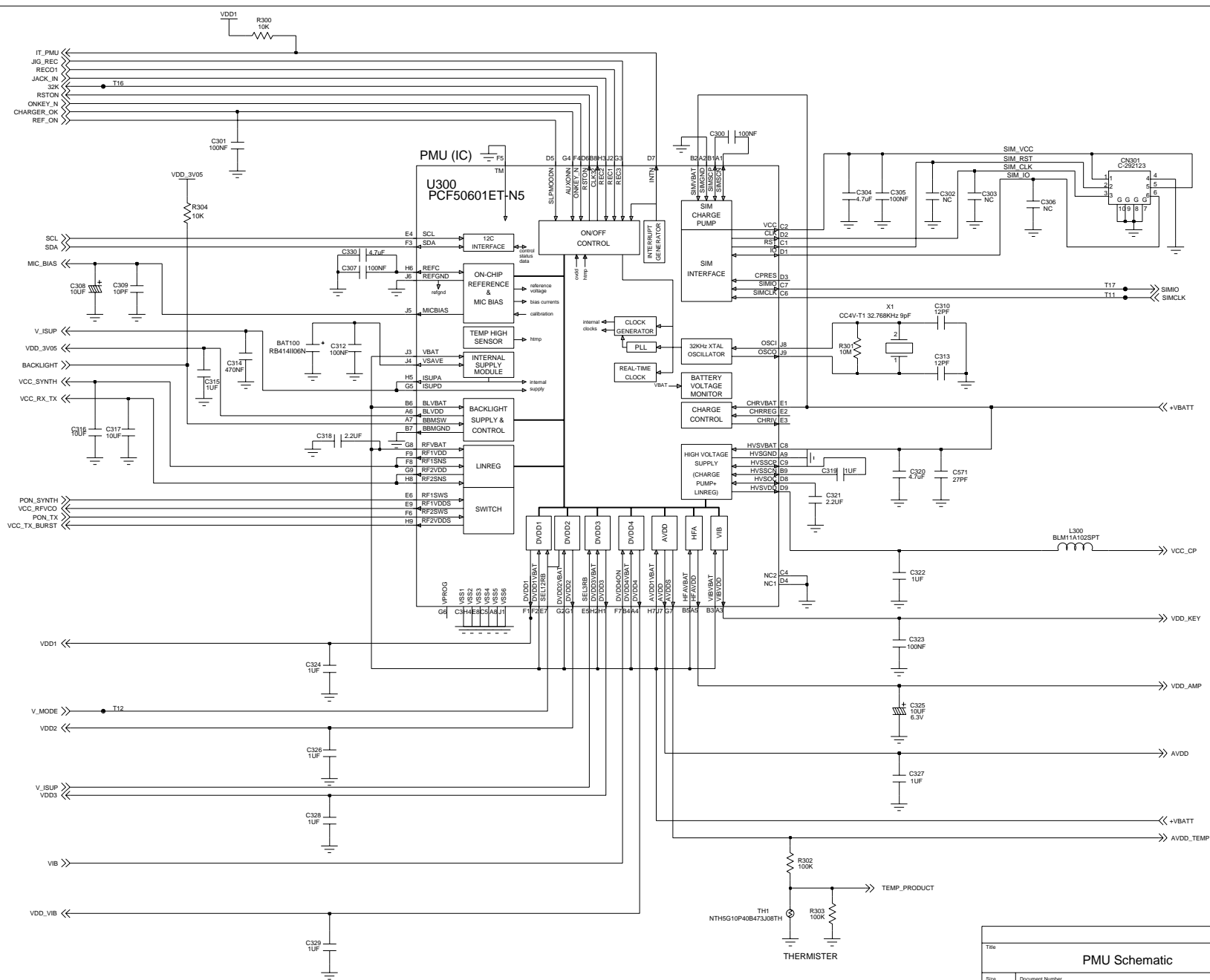


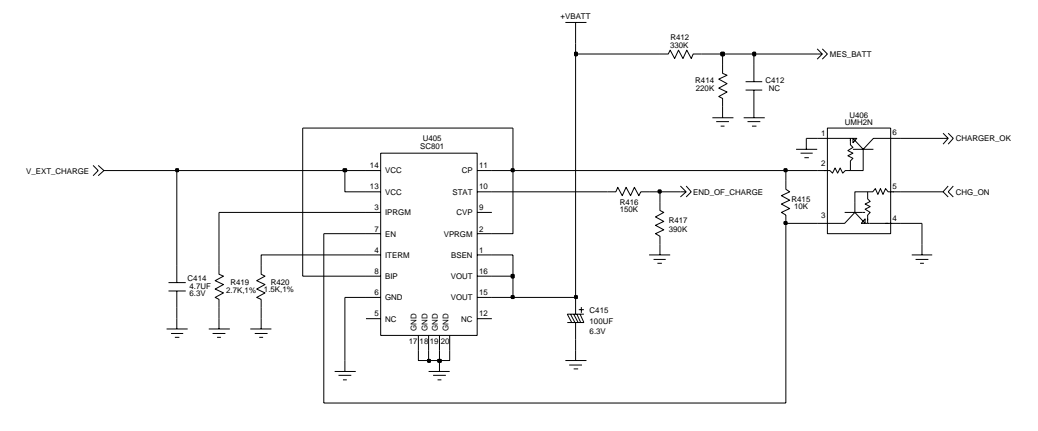
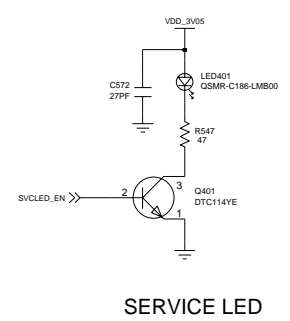
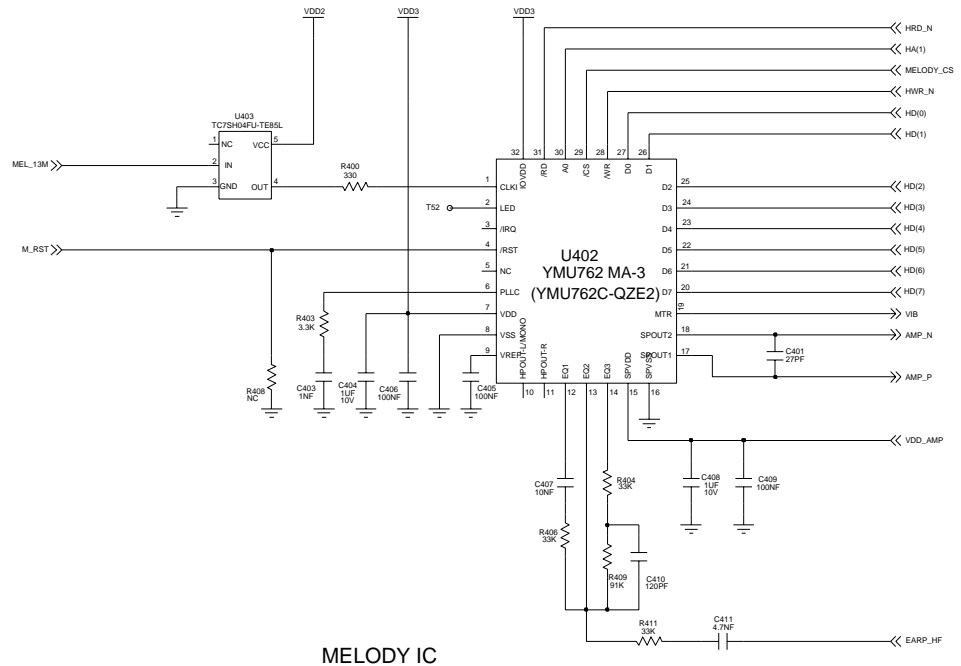
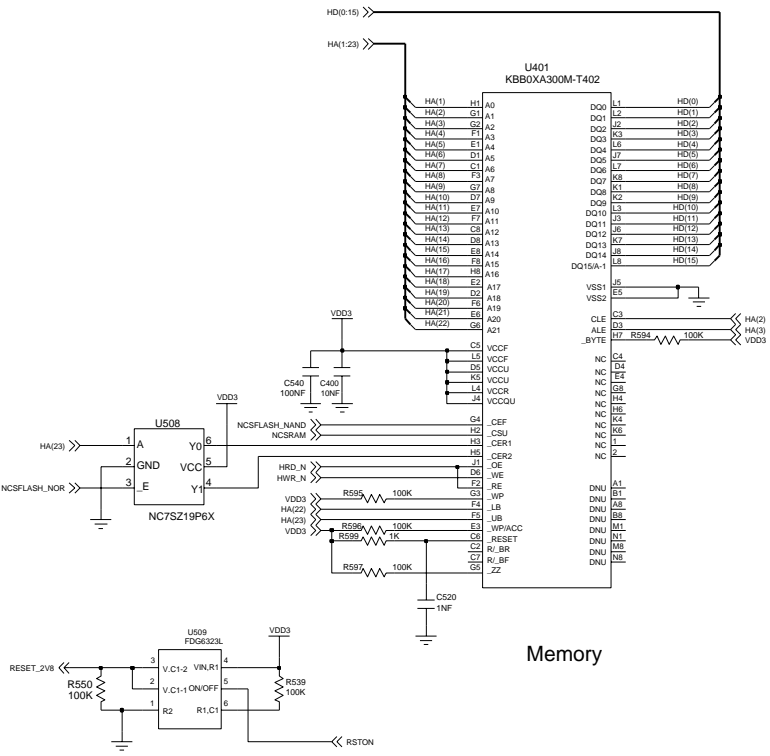
Title			Transceiver Schematic		
Rev	DocuNet Number	Rev			
A3	SAMSUNG/SGH-E100/R/Transceiver	REV13.5			
Date	2003.08.05	Sheet	1 of 7		

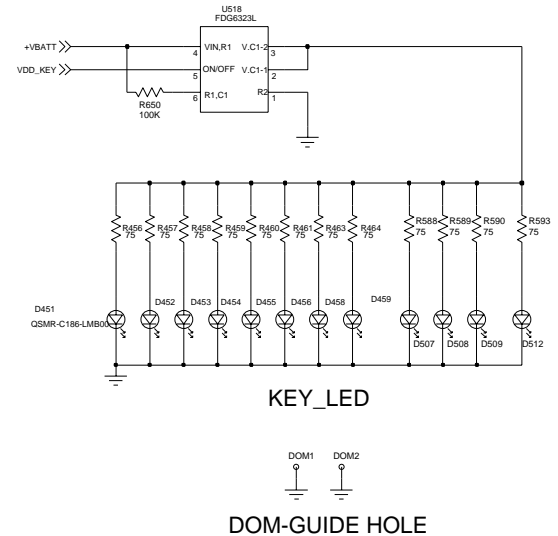
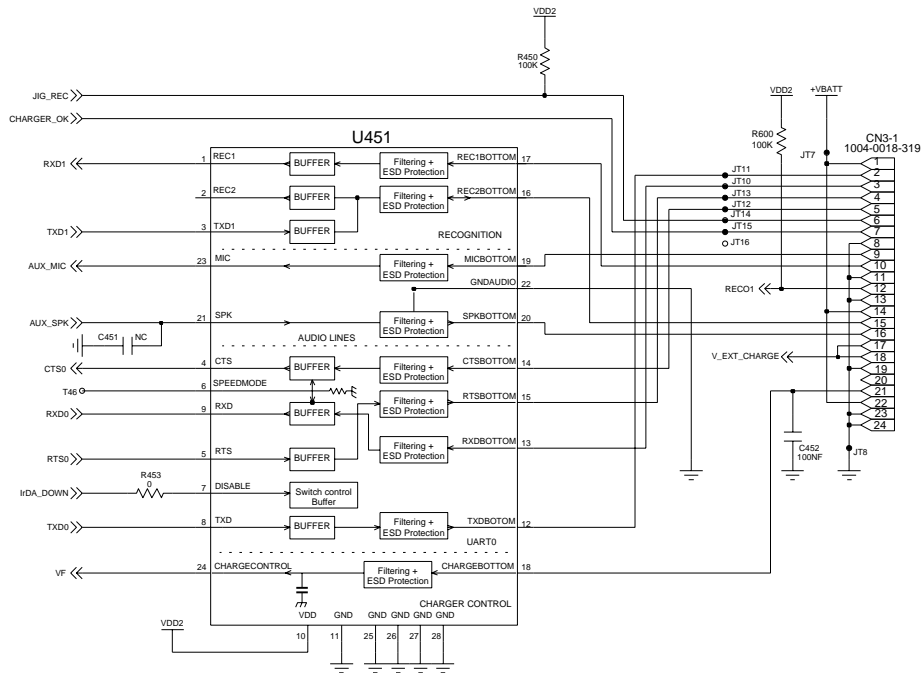


	VC1(VC_DCS)	VC2(VC_PCS)	VC3(VC_EGSM)
EGSM_TX	1	0	0
EGSM_RX	0	0	0
DCS/PCS_TX	0	1	0
DCS_RX	0	0	0
PCS_RX	0	0	1

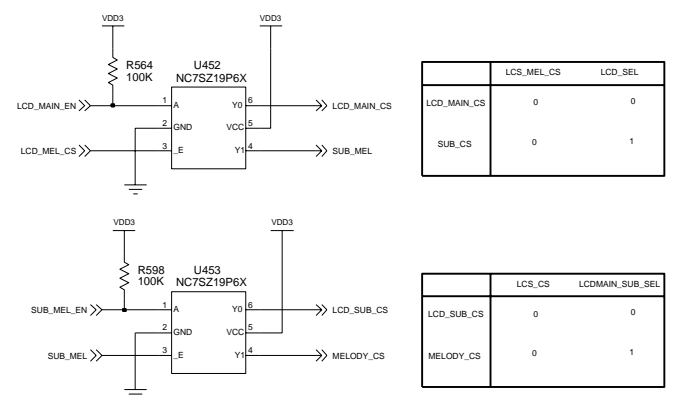
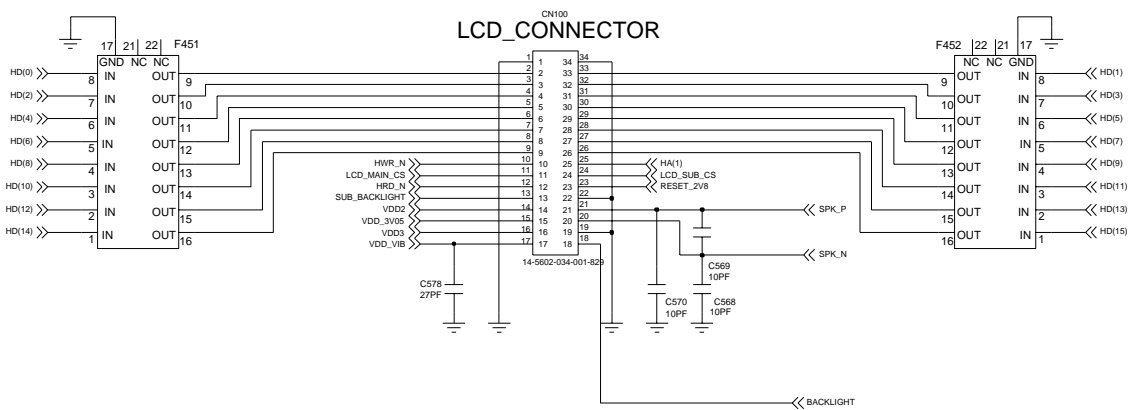


SIGNAL	TYP
MIC_BIAS	2V1
V_ISUP	2V7
BL_LCD_VDD	3V05
VCC_SYN	2V7
VCC_RX_TX	2V7
VCC_RF_VDD	2V7
VCC_RX_BURST	2V7
VDD1	1V35 2V35
VDD2	1V95
VDD3	1V95
VDD4	3V05
AVDD	2V65
AVDD_TEMP	2V65
HFAVDD	3V05
VIBVDD	2V95
VCC_CP	4V
VCC_KEY	3V
SIMVDD	5V

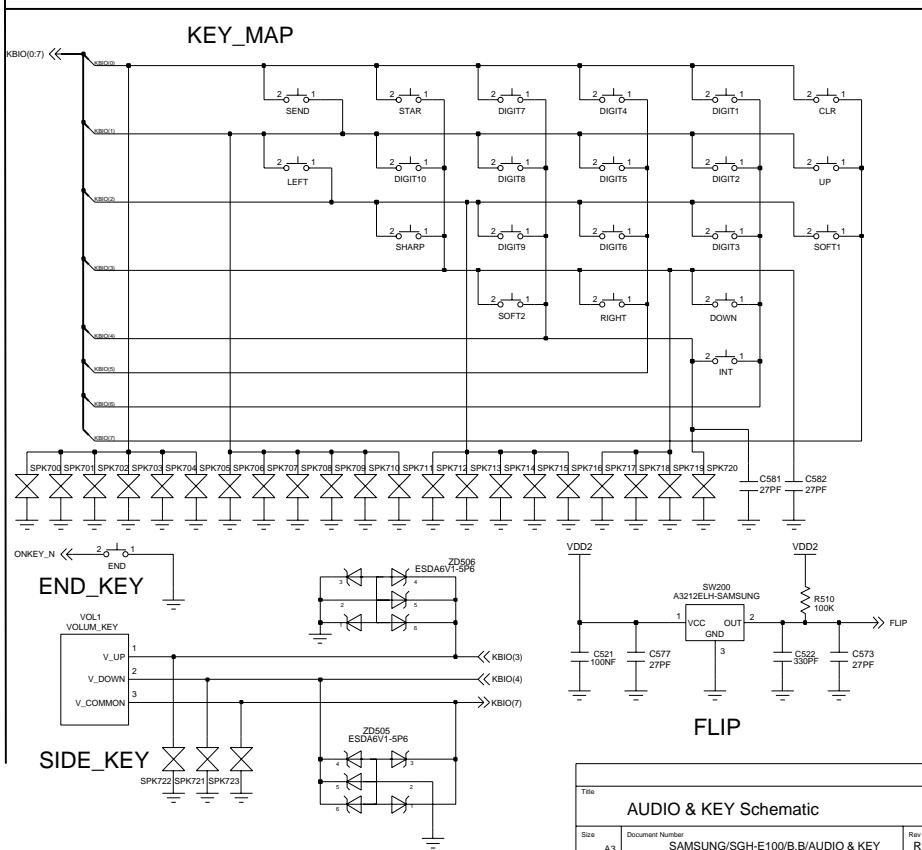
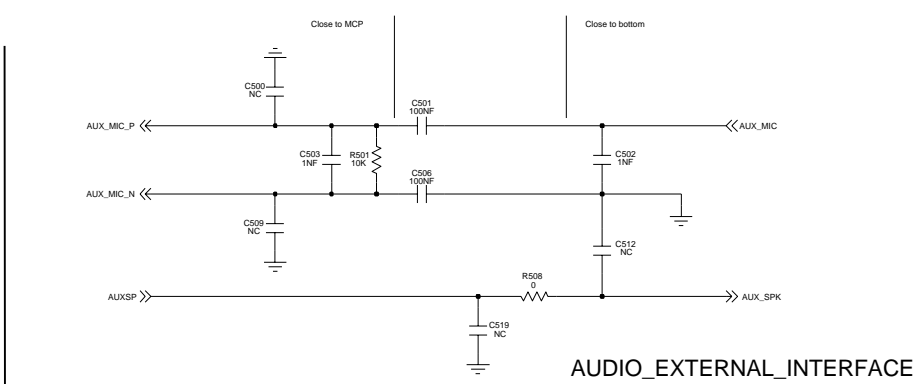
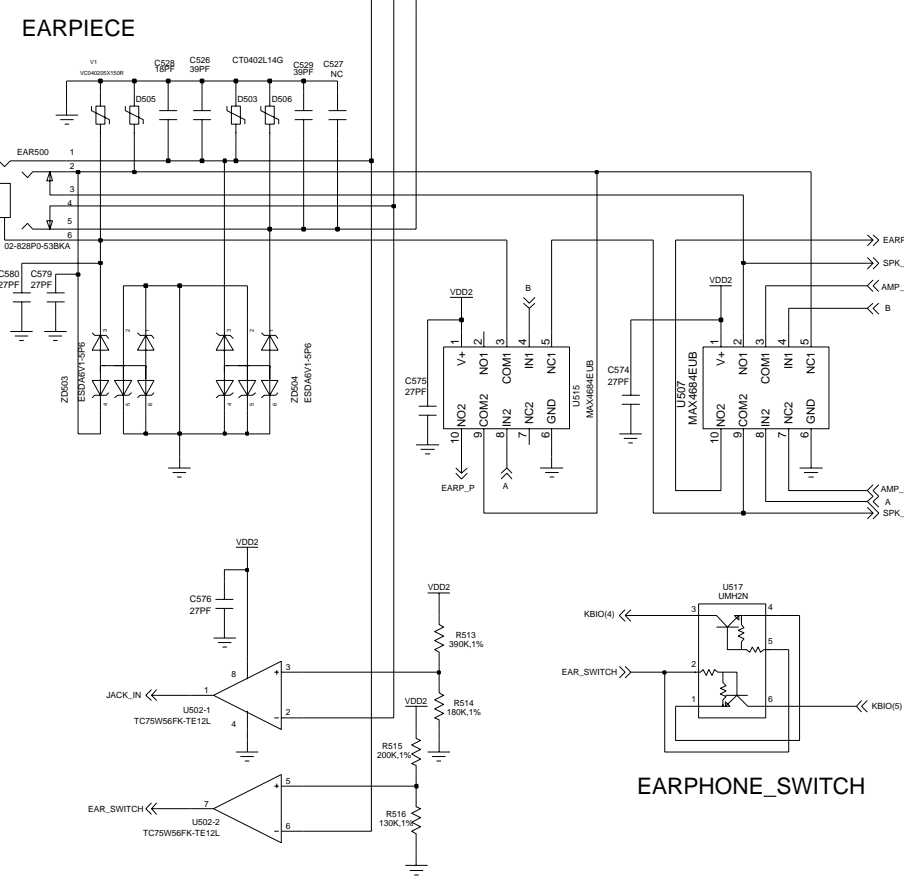
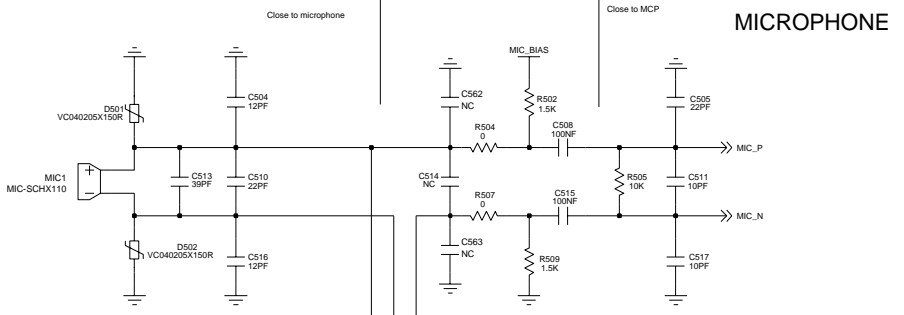




Digital External Interface



LCD Selection Circuit



Title		
AUDIO & KEY Schematic		
Size	Document Number	Rev
A3	SAMSUNG/SGH-E100/B.AUDIO & KEY	REV.3.5
Date:	2003.08.05	Sheet 7 of 7