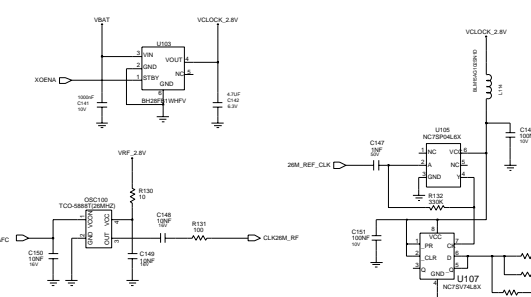
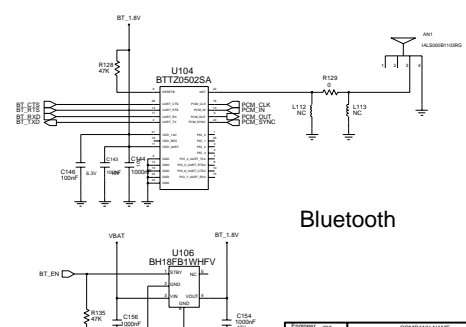


FEM

PAM



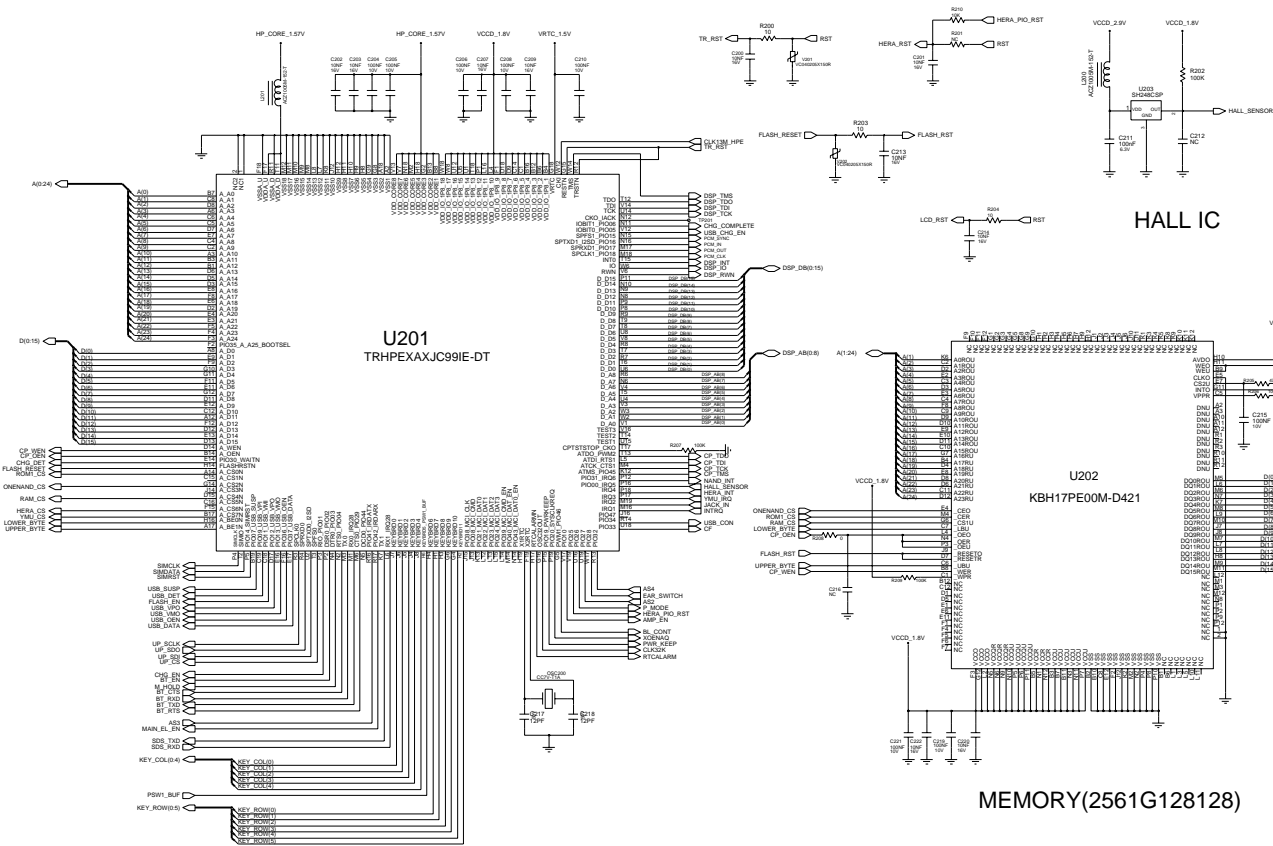
TCXO CLK



Bluetooth

Rev	DATE	DESCRIPTION	BY	CHK	APP
1	2005-07-25	Initial Release

ENGINEER	JDS	COMPANY NAME	
DESIGN BY	JDS	ADDRESS	
DATE	2005-07-25	CITY	
PROJECT CODE	SGH-D900_REV0.7		
REV	1	DATE	2005-07-25
CHK	JDS	CHK	JDS
APP	JDS	APP	JDS
DRG NO.		DWG NUMBER	
SHEET	1	OF	5

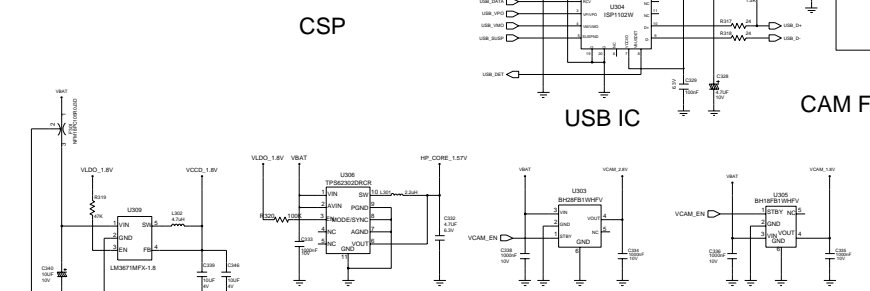
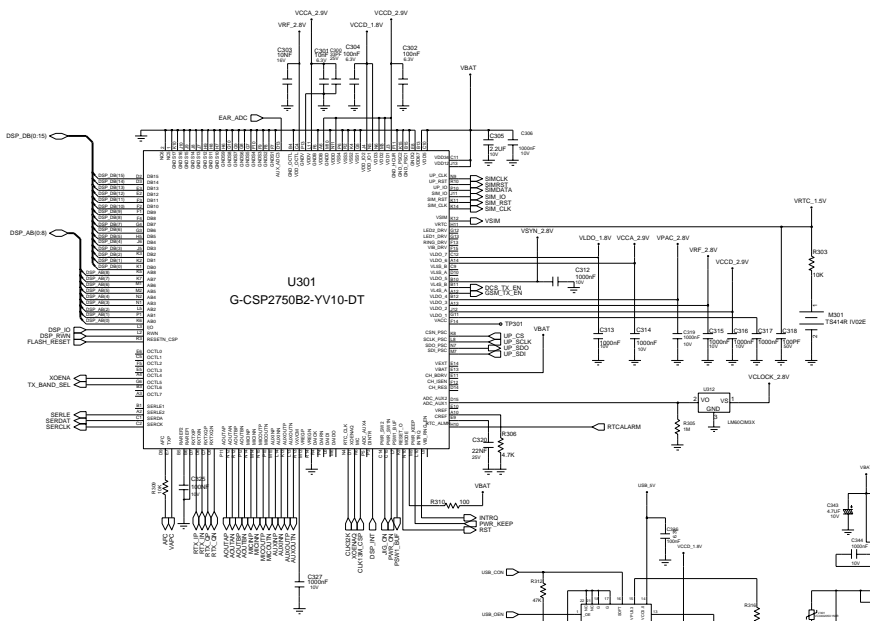


HPE

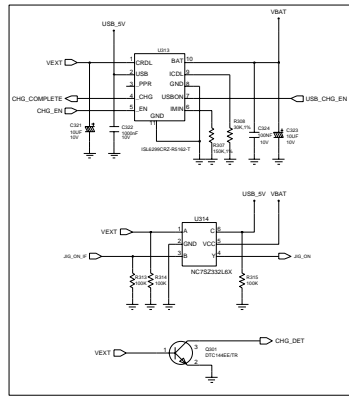
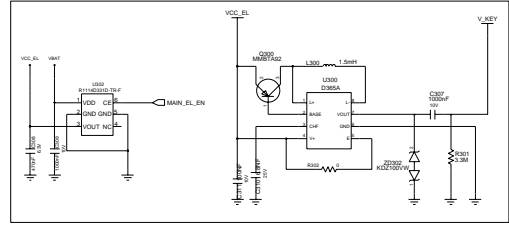
MEMORY(256G128128)



Engineer	CS	COMPANY NAME
Drawn by	CS	Address
Checked by		City
DATE		
TITLE		
SGH-D900_REV0.7		
DATE		
DRG. CLK.	DRWG. NUMBER	SHEET 2 OF 5

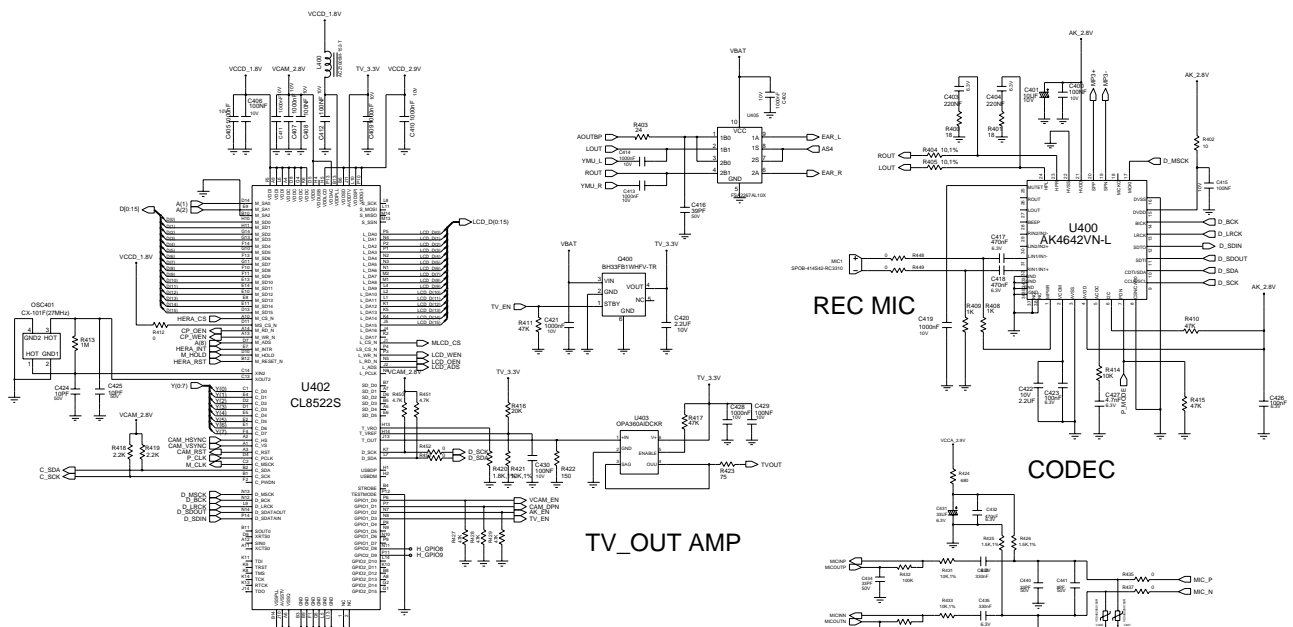


KEY EL DRIVER

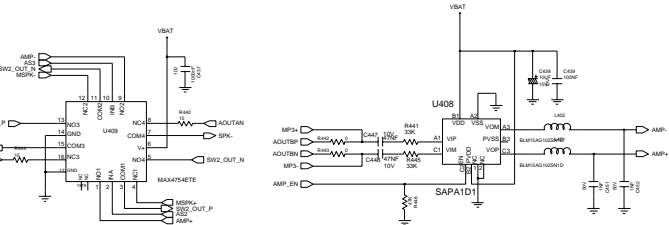


CHARGER IC

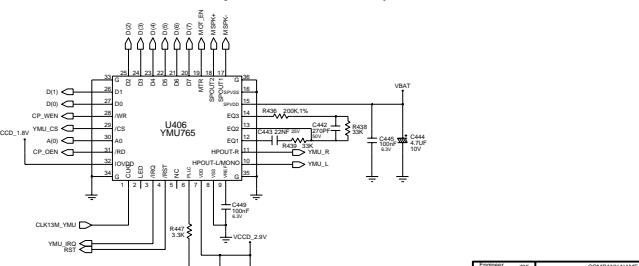
ENGINEER	zsh	COMPANY NAME	
DESIGN BY	zsh	ADDRESS	
DATE	2005.07.25	CITY	
DESIGN CHECK		TITLE	
REVISION CHECK		NO.	
REVISION CHECK		SGH-D900_REV.0.7	



HERA-TV

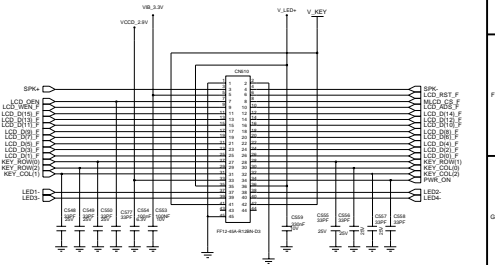
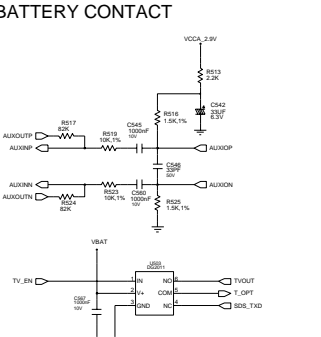
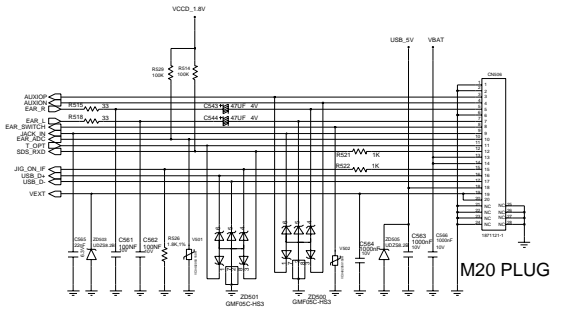
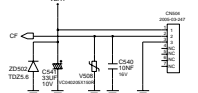
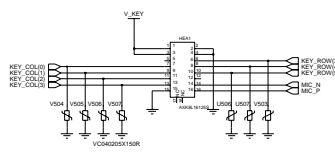
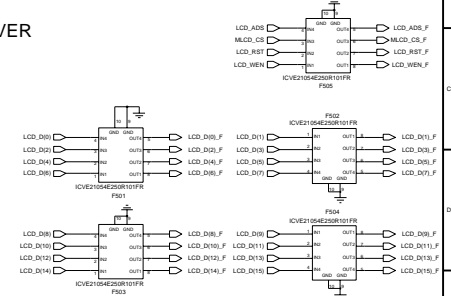
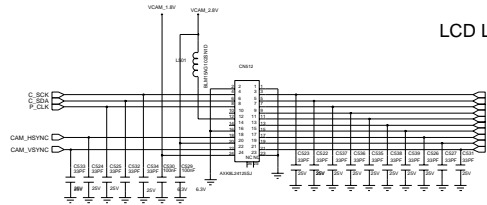
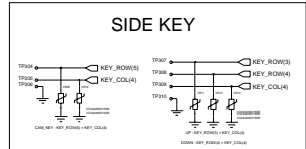
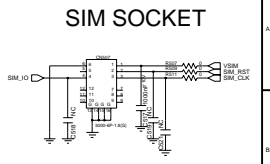
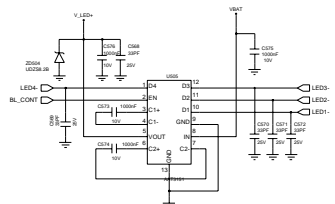
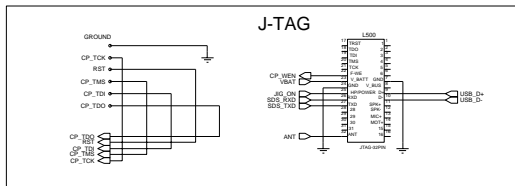


SAPA AUDIO AMP



YAMAHA

Engineer	jcs	COMPANY NAME
Drawn by	jcs	Address
Rev. Date		City
Rev. Date		Country
Rev. Date		State



Engineer	JES	SAMSUNG ELECTRONICS
Drawn by	JES	TITLE
Check/Checked by	REV/REVISION	SGH-D900_REV0.7
Drawn/Checked by	DATE	DATE

