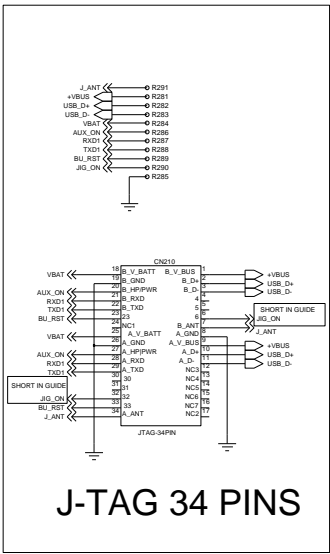
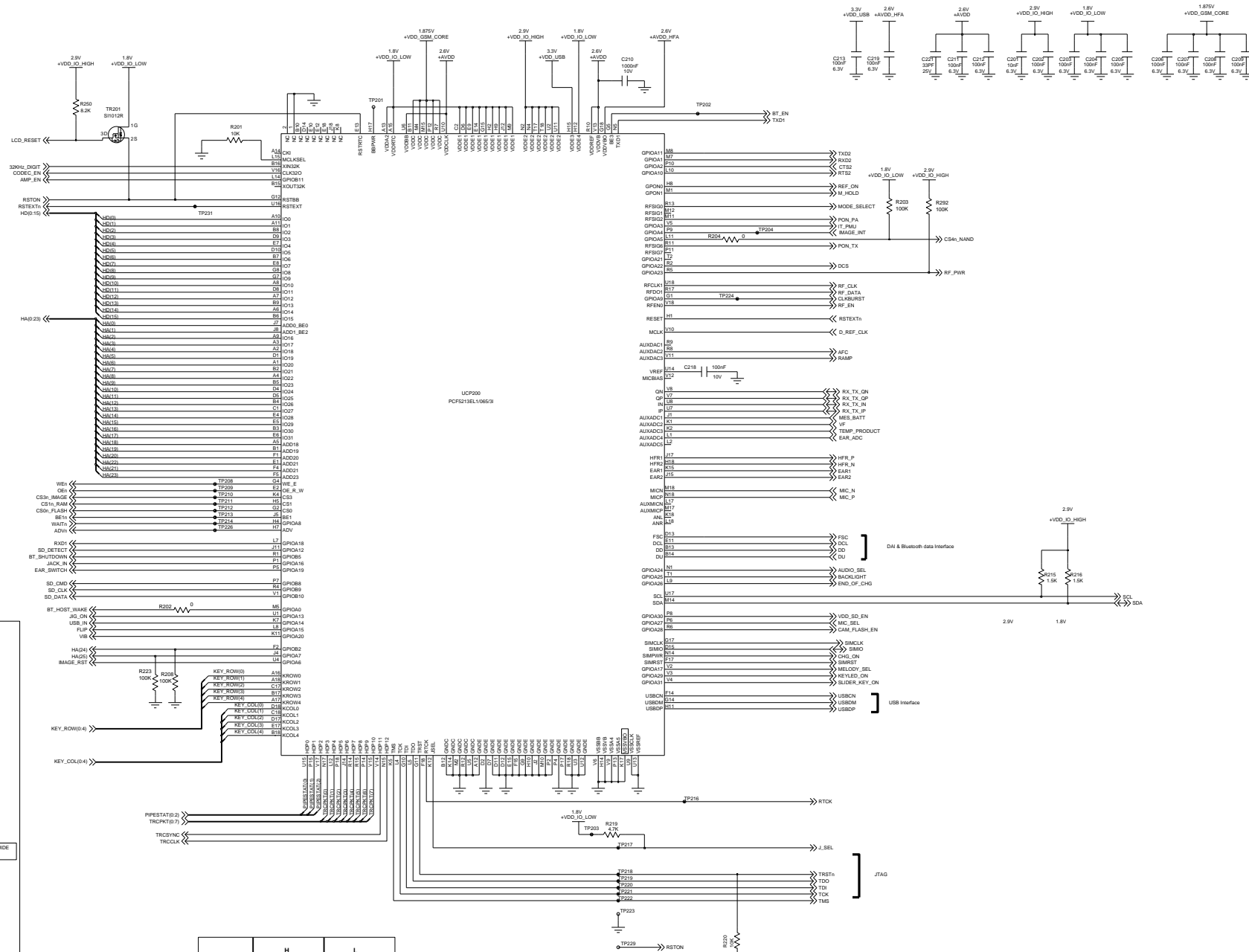


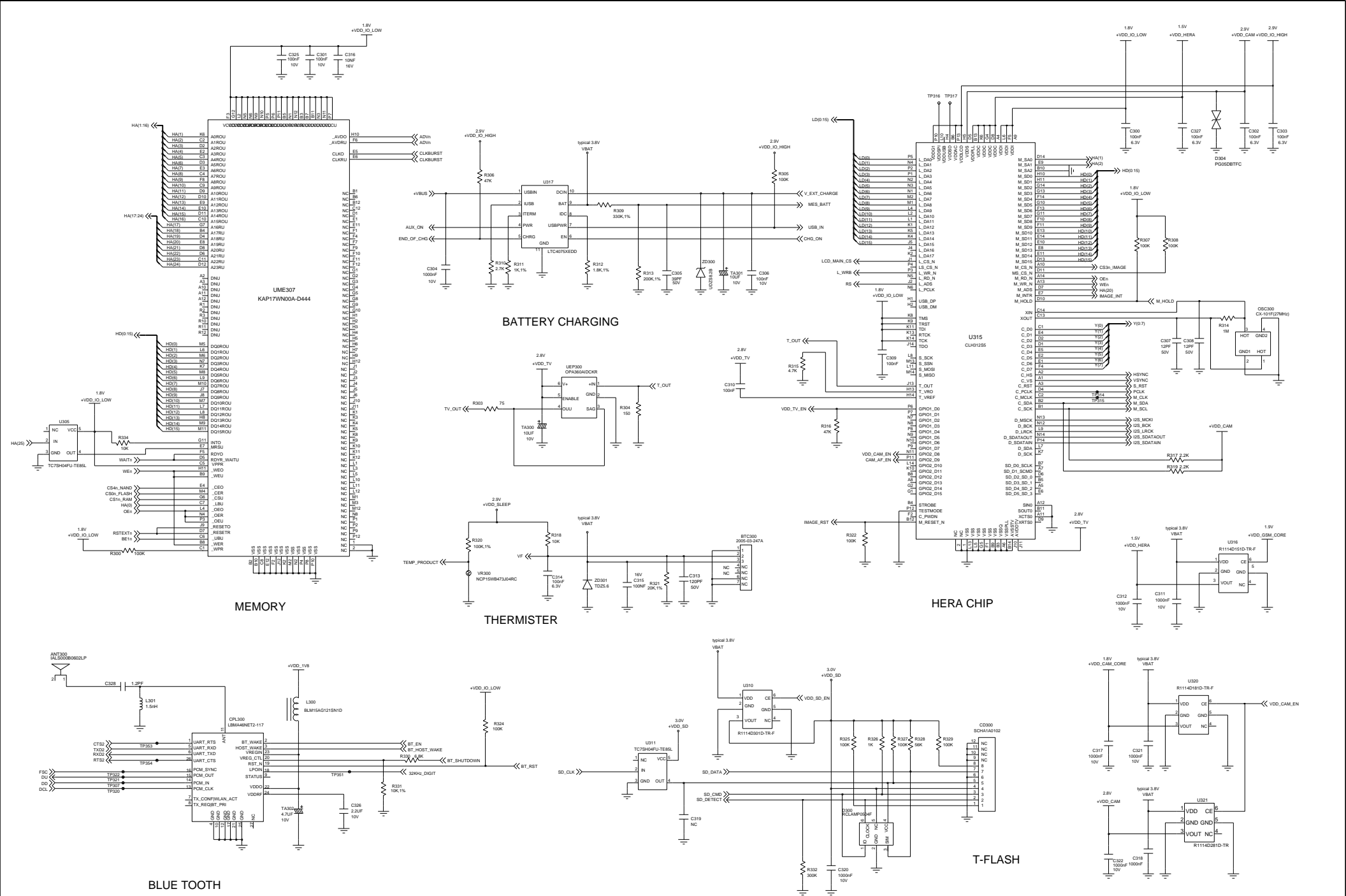
	VCI	VCE
Tx(GSM850/900)	H	L
Tx(DCS1800/1900)	L	H
Rx(850/900/1800/1900)	L	L

GSM ANTENNA



J-TAG 34 PINS

	H	L
J_SEL	ARM9	DSP
TRST	TRACE	NORMAL



**MEMORY**

**BATTERY CHARGING**

**THERMIST**

**HERA CHIP**

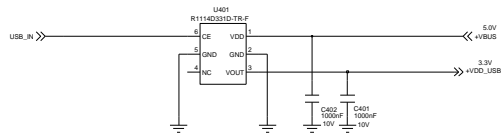
**BLUE TOOTH**

**T-FLASH**

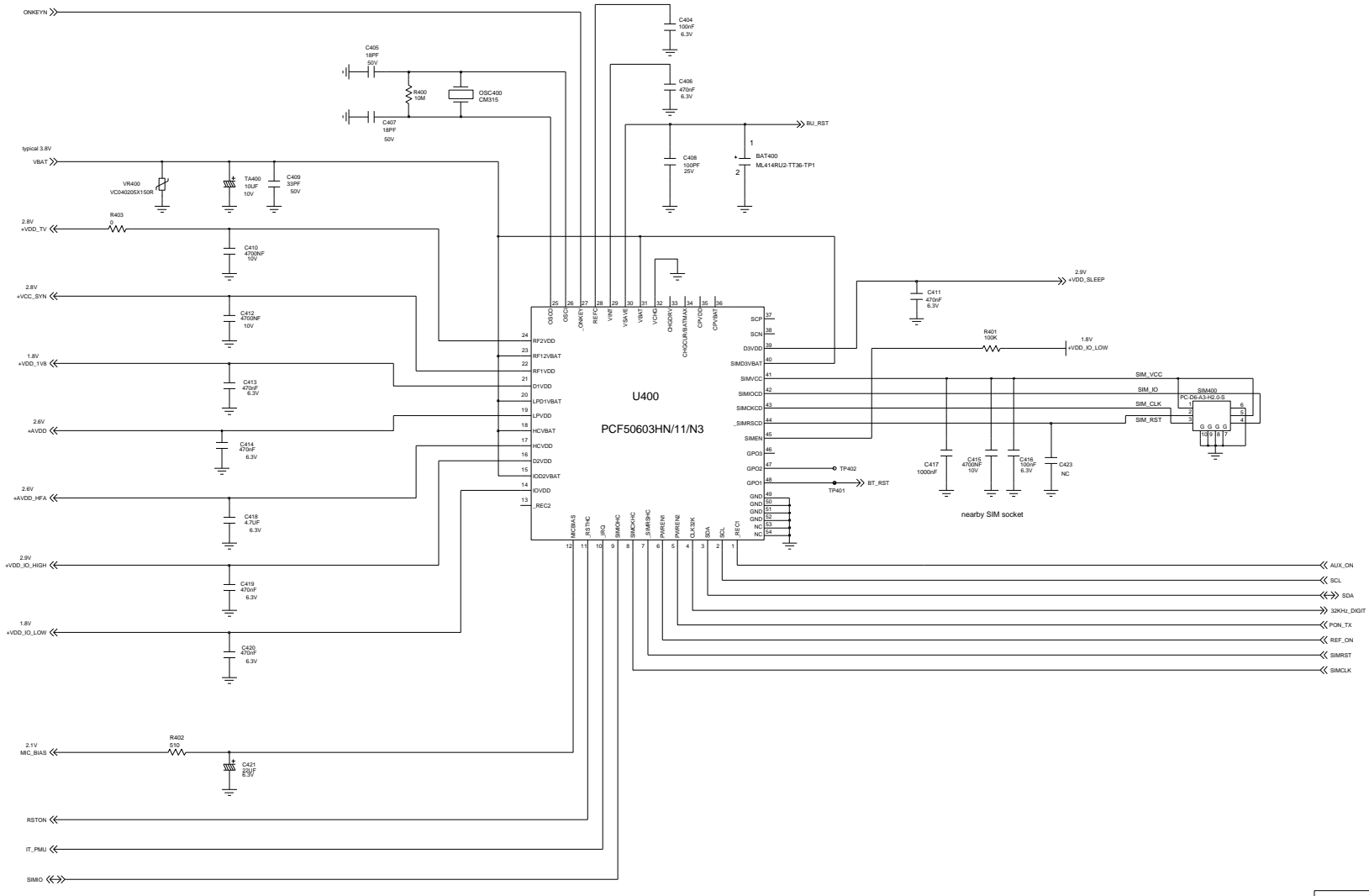
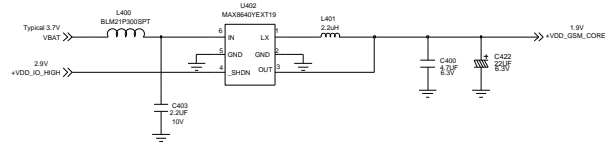
**Memory & Melody Schematic**

SGH-D900/D908 /B.B/Memory & Melody

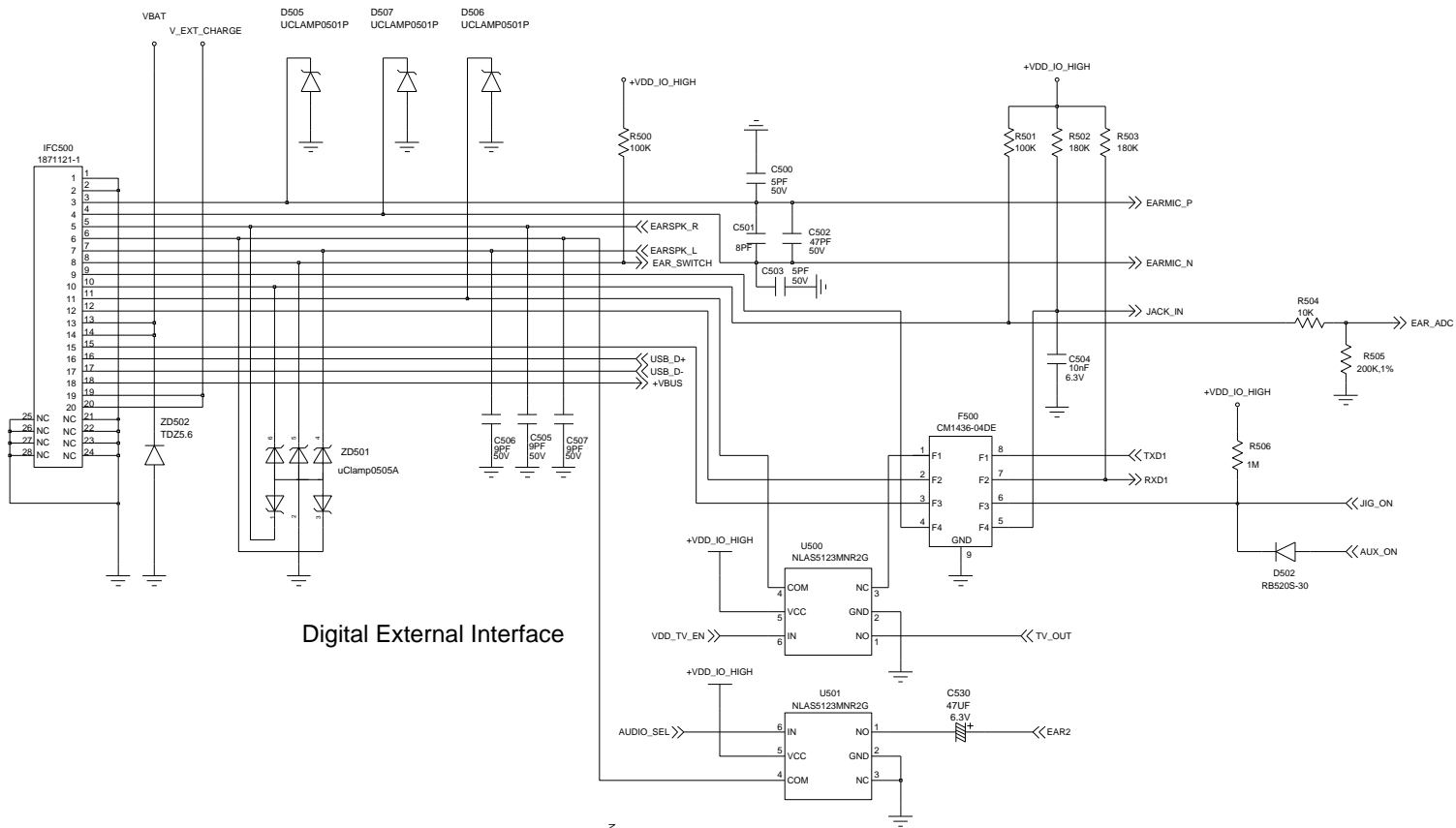
# LDO



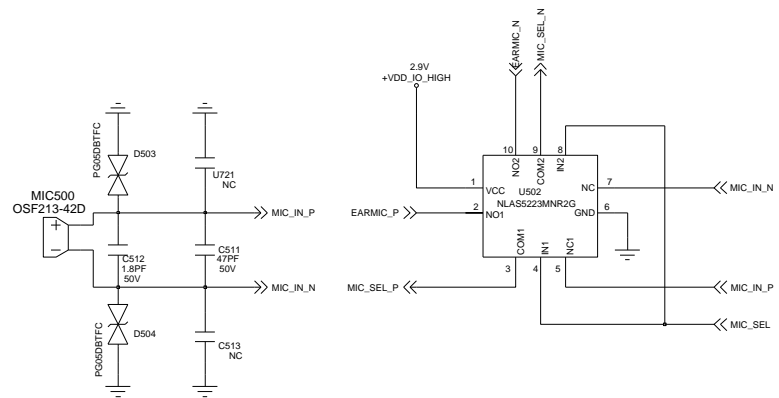
# DC/DC Down Conveter(1.9Volt)



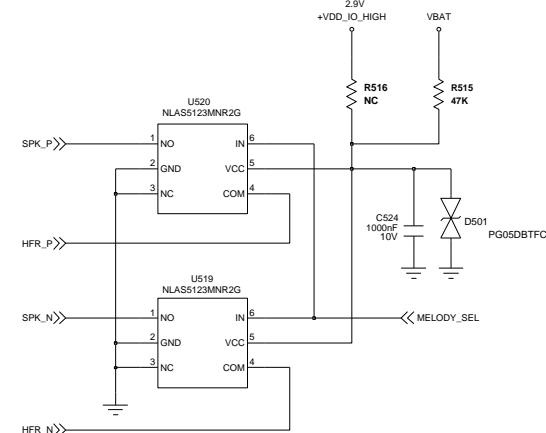
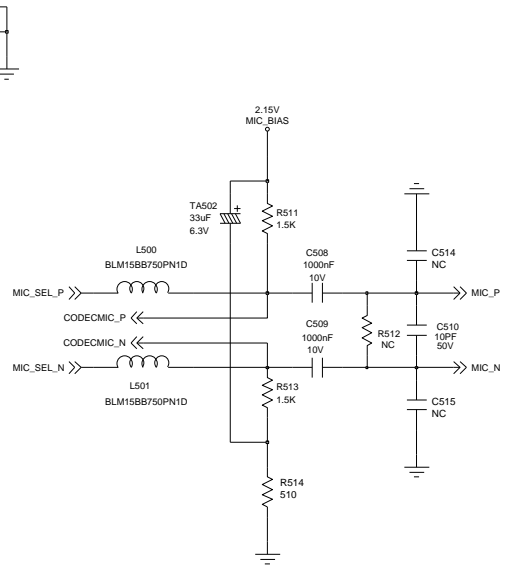
+VDD_IO_HIGH	2.9V
+VDD_IO_LOW	1.8V
+VDD_RX_TX	2.8V
+VCC_SYNC	2.8V
+VDD	2.8V
+VDD_HFA	2.8V
MIC_BIAS	2.1V
VDD_119	1.9V
+VDD_GSM_CORE	1.9V
VDD_CAM	2.9V



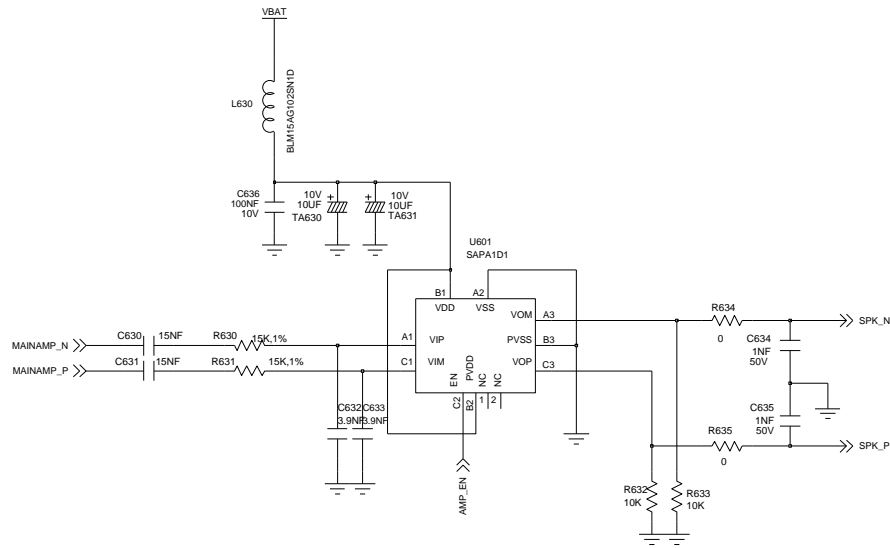
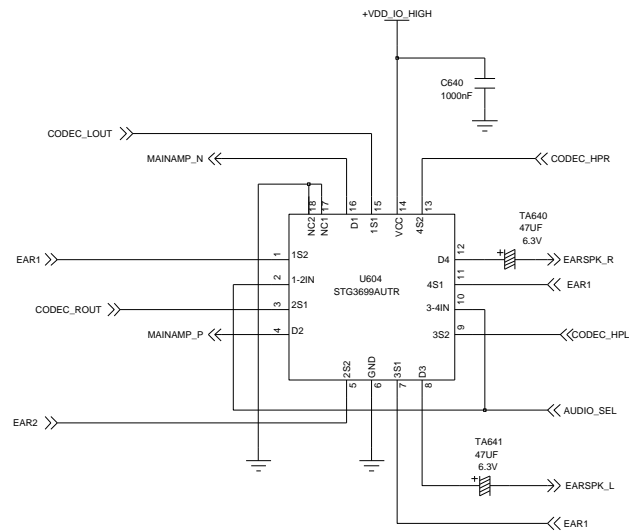
Digital External Interface



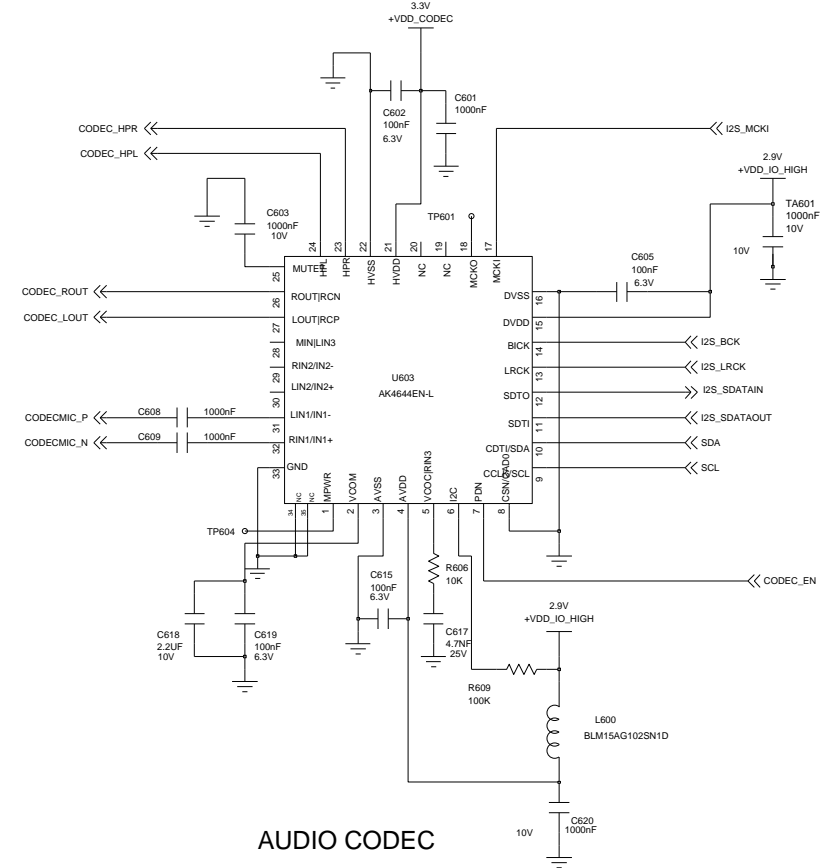
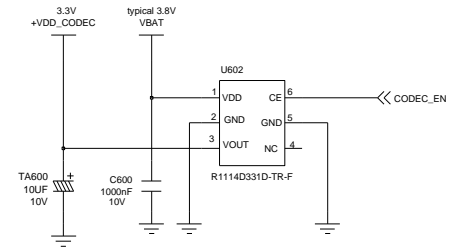
MICROWIRE



Title		
IF Connector & Charging Schematic		
Size	Document Number	REV 1.2
A3	SGH-D900/D+908 /B.B/IF & CHARGING	B_TO_B
Date:	2006.06.16	Sheet 5 of 7

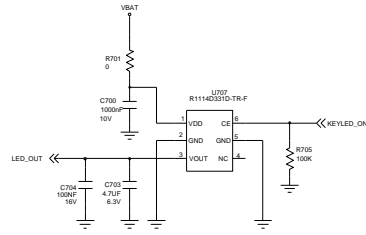


# AUDIO AMP

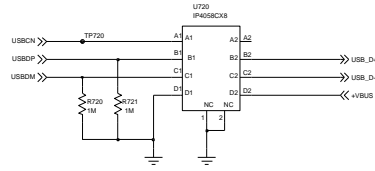


# AUDIO CODEC

Title		
<b>Audio &amp; KEY Schematic</b>		
Document Number	SAMSUNG/SGH-D900/D908 /B.B/Audio & KEY	
Date:	2006.06.16	Sheet 6 of 7
REV 1.2		B_TO_B



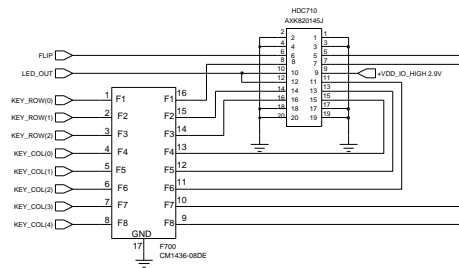
LED



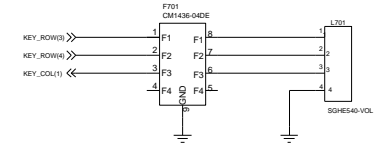
USB INTERFACE



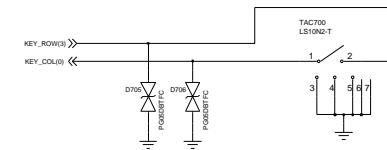
PCB\_HOLE



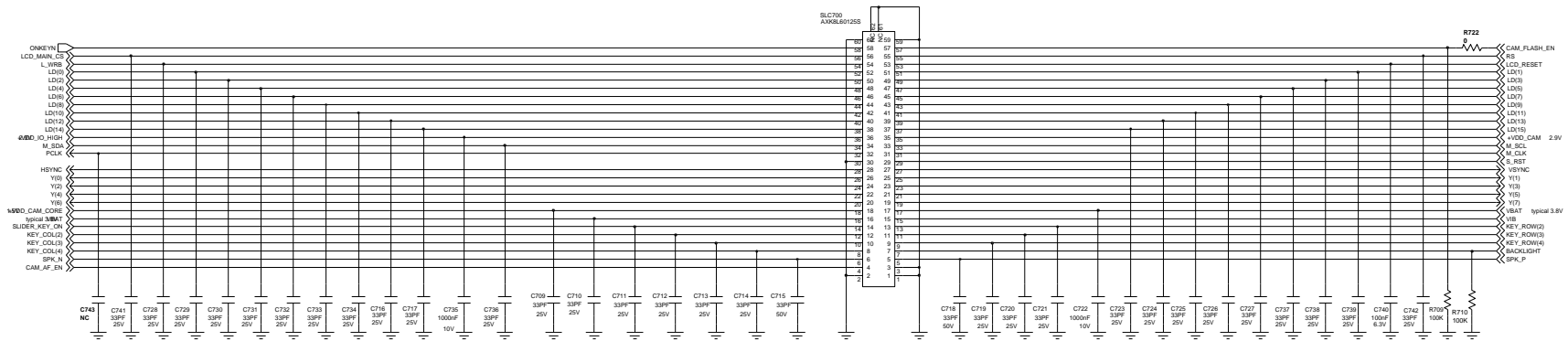
KEY\_CONNECTOR



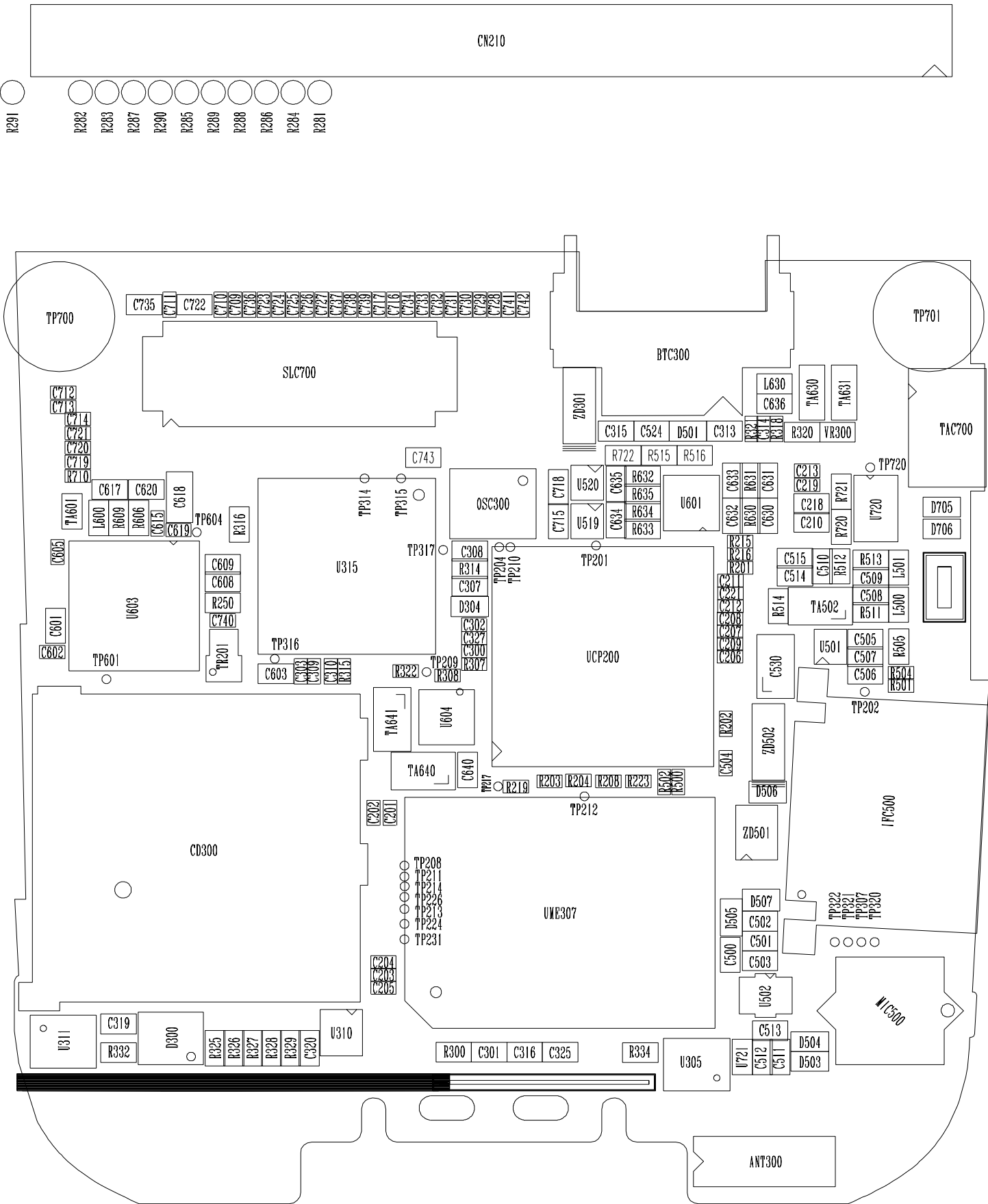
VOLUME KEY



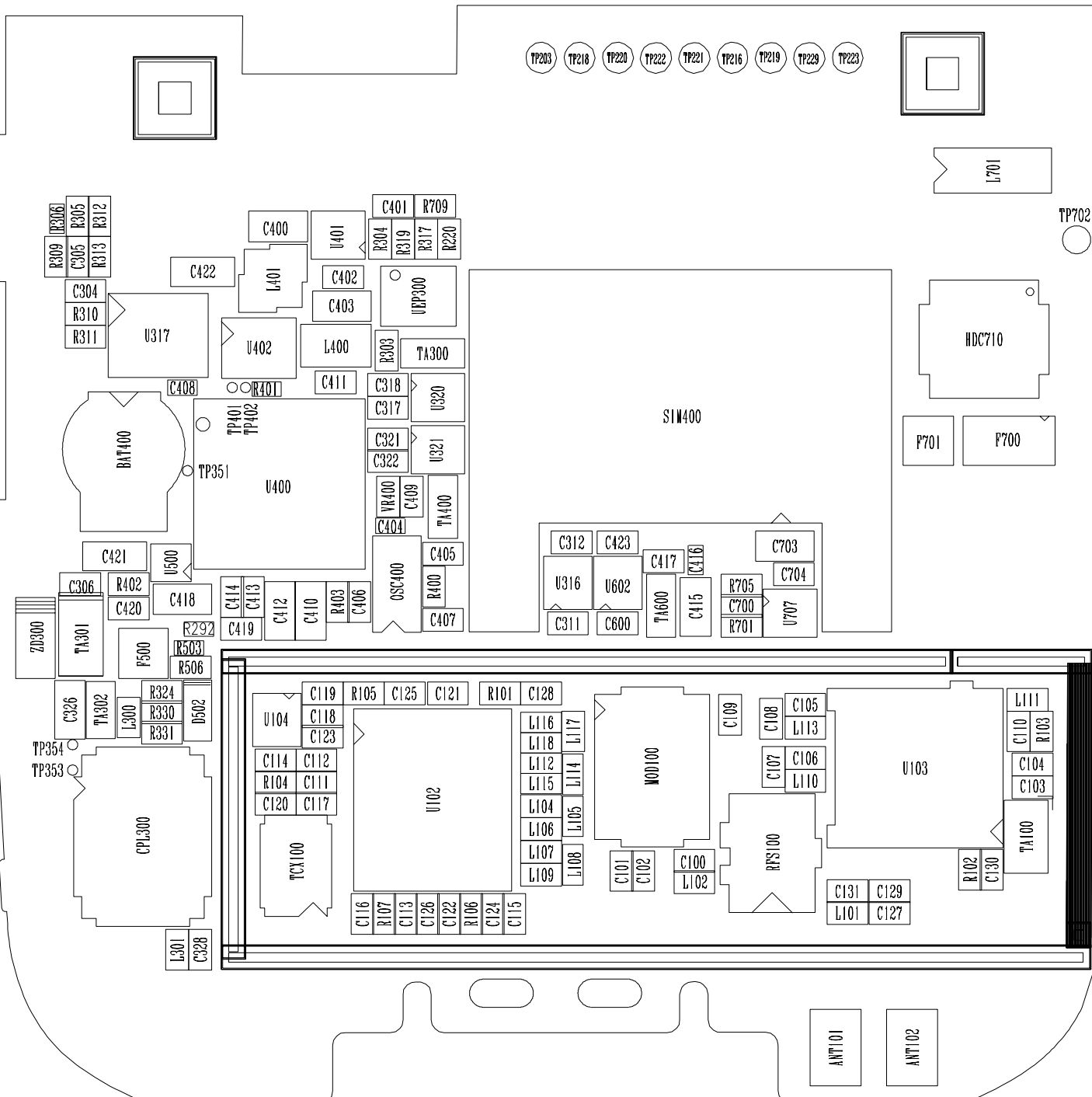
CAMERA\_KEY



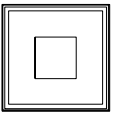
LCD\_CONNECTOR







TP203 TP218 TP220 TP222 TP221 TP216 TP219 TP229 TP223



L701

TP702

HDC710

F701

F700

SIM400

C312 C423 C417 C416 C703 C704 C700 C701 R705 R701 U316 U602 TA600 C415 TA600 C415 U707 C311 C600 TA600 C405 R400 C407 C404 C409 TA400 U320 U321 C318 C317 C321 C322 C401 R709 R304 R319 R317 R220 U401 C400 C402 C403 L400 R303 TA300 C411 C412 C410 R403 C406 OSC400 R400 C407 C421 U500 C418 C414 C413 C419 C412 C410 R403 C406

R309 R306 C305 R305 R313 R312 C304 R310 R311 U317 C422 L401 U402 L400 U400 TP401 TP402 R401 TP351 C408 BATT400 C421 R402 C420 C418 R292 R503 R506 ZD300 TA301 P500 C326 TA302 L300 R324 R330 R331 D502 C119 R105 C125 C121 R101 C128 U104 C118 C123 C114 C112 R104 C111 C120 C117 TCX100 C116 R107 C113 C126 C122 R106 C124 C115

L116 L118 L112 L115 L104 L106 L107 L109 L110 L114 L117 L105 L108 L101 C102 C100 L102 C109 C108 C105 C107 C106 L110 L113 C104 C103 TA100 R102 C130 C131 C129 L101 C127 U103 RPS100

ANT101

ANT102