

SAMSUNG

GSM TELEPHONE

SGH-D880

SERVICE *Manual*

GSM TELEPHONE



CONTENTS

1. Safety Precautions
2. Specification
3. Product Function
4. Array course control
5. Exploded View and Parts List
6. Main Electrical Parts List
7. Block Diagrams
8. PCB Diagrams
9. Flow Chart of Troubleshooting
10. Reference data
11. Disassembly and Assembly Instructions
12. Schematic Diagrams

1. Safety Precautions

1-1. Repair Precaution

- Repair in Shield Box, during detailed tuning.
Take specially care of tuning or test, because specificity of cellular phone is sensitive for surrounding interference(RF noise).
- Be careful to use a kind of magnetic object or tool, because performance of parts is damaged by the influence of magnetic force.
- Surely use a standard screwdriver when you disassemble this product, otherwise screw will be worn away.
- Use a thicken twisted wire when you measure level.
A thicken twisted wire has low resistance, therefore error of measurement is few.
- Repair after separate Test Pack and Set because for short danger (for example an overcurrent and furious flames of parts etc) when you repair board in condition of connecting Test Pack and tuning on.
- Take specially care of soldering, because Land of PCB is small and weak in heat.
- Surely tune on/off while using AC power plug, because a repair of battery charger is dangerous when tuning ON/OFF PBA and Connector after disassembling charger.
- Don't use as you pleases after change other material than replacement registered on SEC System.
Otherwise engineer in charge isn't charged with problem that you don't keep this rules.

1-2. ESD(Electrostatically Sensitive Devices) Precaution

Several semiconductor may be damaged easily by static electricity. Such parts are called by ESD(Electrostatically Sensitive Devices), for example IC,BGA chip etc. Read Precaution below. You can prevent from ESD damage by static electricity.

- Remove static electricity remained your body before you touch semiconductor or parts with semiconductor. There are ways that you touch an earthed place or wear static electricity prevention string on wrist.
- Use earthed soldering steel when you connect or disconnect ESD.
- Use soldering removing tool to break static electricity. , otherwise ESD will be damaged by static electricity.
- Don't unpack until you set up ESD on product. Because most of ESD are packed by box and aluminum plate to have conductive power,they are prevented from static electricity.
- You must maintain electric contact between ESD and place due to be set up until ESD is connected completely to the proper place or a circuit board.

2. Specification

2-1. GSM General Specification

	GSM900 Phase 1	EGSM 900 Phase 2	DCS1800 Phase 1	PCS1900
Freq. Band[MHz] Uplink/Downlink	890~915 935~960	880~915 925~960	1710~1785 1805~1880	1850~1910 1930~1990
ARFCN range	1~124	0~124 & 975~1023	512~885	512~810
Tx/Rx spacing	45MHz	45MHz	95MHz	80MHz
Mod. Bit rate / Bit Period	270.833kbps 3.692us	270.833kbps 3.692us	270.833kbps 3.692us	270.833kbps 3.692us
Time Slot Period / Frame Period	576.9us 4.615ms	576.9us 4.615ms	576.9us 4.615ms	576.9us 4.615ms
Modulation	0.3GMSK	0.3GMSK	0.3GMSK	0.3GMSK
MS Power	33dBm~5dBm	33dBm~5dBm	30dBm~0dBm	30dBm~0dBm
Power Class	5pcl ~ 19pcl	5pcl ~ 19pcl	0pcl ~ 15pcl	0pcl ~ 15pcl
Sensitivity	-102dBm	-102dBm	-100dBm	-100dBm
TDMA Mux	8	8	8	8
Cell Radius	35Km	35Km	2Km	

***PCS1900 only in Master**

2-2. GSM TX power class

TX Power control level	GSM900 GSM850	TX Power control level	DCS1800	TX Power control level	PCS1900
5	33±2 dBm	0	30±2 dBm	0	30±2 dBm
6	31±3 dBm	1	28±3 dBm	1	28±3 dBm
7	29±3 dBm	2	26±3 dBm	2	26±3 dBm
8	27±3 dBm	3	24±3 dBm	3	24±3 dBm
9	25±3 dBm	4	22±3 dBm	4	22±3 dBm
10	23±3 dBm	5	20±3 dBm	5	20±3 dBm
11	21±3 dBm	6	18±3 dBm	6	18±3 dBm
12	19±3 dBm	7	16±3 dBm	7	16±3 dBm
13	17±3 dBm	8	14±3 dBm	8	14±3 dBm
14	15±3 dBm	9	12±4 dBm	9	12±4 dBm
15	13±3 dBm	10	10±4 dBm	10	10±4 dBm
16	11±5 dBm	11	8±4dBm	11	8±4dBm
17	9±5 dBm	12	6±4 dBm	12	6±4 dBm
18	7±5 dBm	13	4±4 dBm	13	4±4 dBm
19	5±5 dBm	14	2±5 dBm	14	2±5 dBm
		15	0±5 dBm	15	0±5 dBm

***PCS1900 only in Master**

2-3. GSM EDGE TX power class

Only in Master

TX Power control level	GSM900 GSM850	TX Power control level	DCS1800	TX Power control level	PCS1900
8	27±3 dBm	2	26 -4/+3 dBm	2	26 -4/+3 dBm
9	25±3 dBm	3	24±3 dBm	3	24±3 dBm
10	23±3 dBm	4	22±3 dBm	4	22±3 dBm
11	21±3 dBm	5	20±3 dBm	5	20±3 dBm
12	19±3 dBm	6	18±3 dBm	6	18±3 dBm
13	17±3 dBm	7	16±3 dBm	7	16±3 dBm
14	15±3 dBm	8	12±3 dBm	8	12±3 dBm
15	13±3 dBm	9	10±3 dBm	9	10±3 dBm
16	11±5 dBm	10	14±3 dBm	10	14±3 dBm
17	9±5 dBm	11	12±4 dBm	11	12±4 dBm
18	7±5 dBm	12	10±4 dBm	12	10±4 dBm
19	5±5 dBm	13	8±4dBm	13	8±4dBm
		14	6±4 dBm	14	6±4 dBm
		15	4±4 dBm	15	4±4 dBm

3. Operation Instruction and Installation

Main Function

- Slide Design Intenna
- Dual Standby
- 3M AF CMOS Camera
- Bluetooth V.2.0
- Stereo Bluetooth Headset
- Mobile Tracker & SOS Messaging
- Large 2.3" QVGA 262K TFT Display
- EXT. Memory
- SMS/MMS/E-Mail
- WAP 2.0 / Java MIDP 2.0
- MP3, AAC, MP4, 3GPP Decoding
- Video Recording and Messaging
- GSM/GPRS/EDGE Class 10
- Band(Master : GSM900, 1800, 1900/ Slave : GSM900, 1800)
- TV-out, FM radio
- Speaker Phone

4. Array course control

4-1. Software Adjustments

Test Jig (GH80-03306A)



GH39-00877A
GH39-00876A
GH39-00875A
GH39-00872A



Serial Cable(CSA LL64151-A)



Power Supply Cable



4-2. Software Downloading

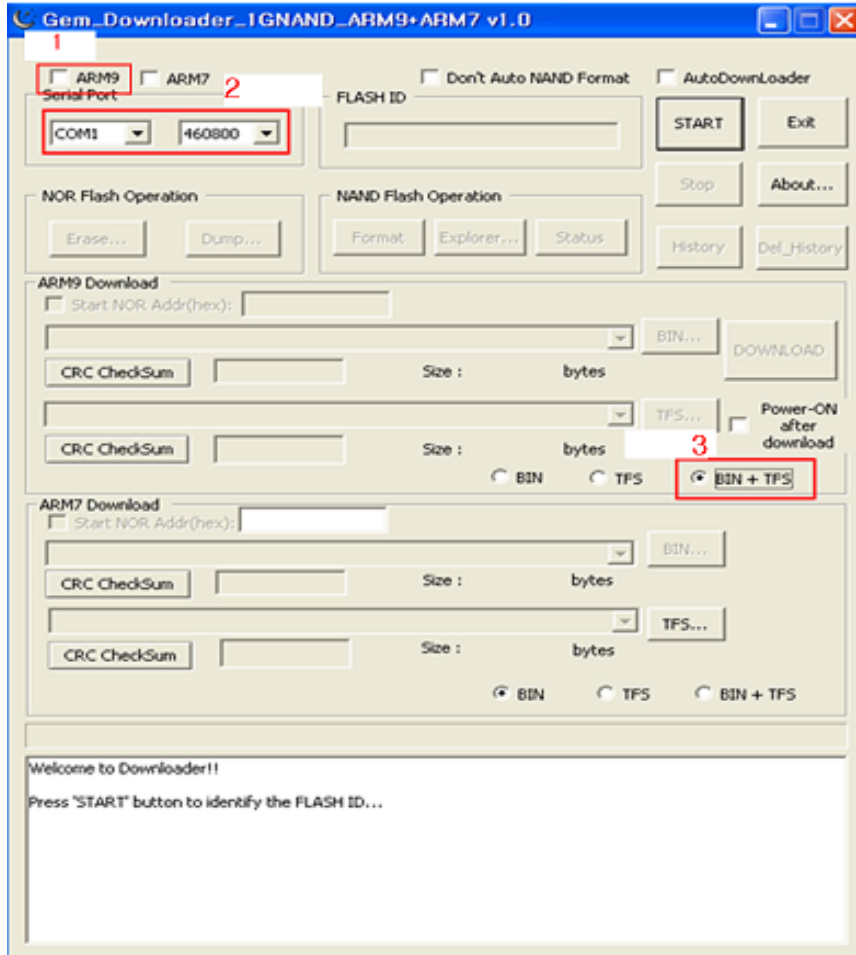
4-2-1. Pre-requisite for Downloading

- Downloader Program([Gem_Downloader_1GNAND_ARM9+ARM7 v1.0.exe](#))
- D888 Mobile Phone
- Data Cable
- Binary file, TFS file

4-2-2. S/W Downloader Program

■ Load the binary download program by executing the “[Gem_Downloader_1GNAND_ARM9+ARM7 v1.0.exe](#)”

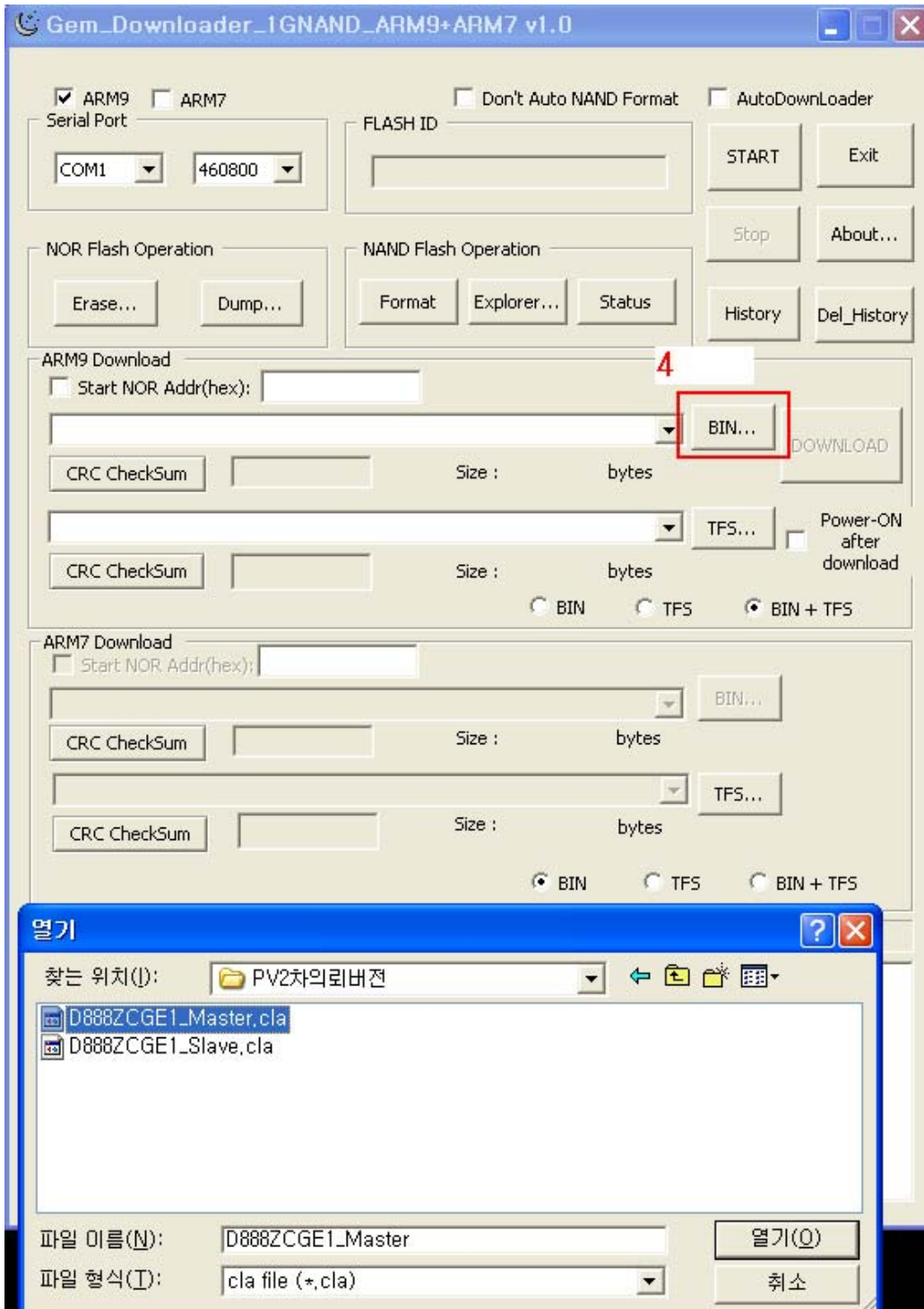
1. Select the download mode you want.
 - if Master mode wanted, check ARM9
 - if Slave mode wanted, check ARM7
2. Select the connected serial port and the rate of speed
3. Select the check box, the mode you want to download.



3. Select the file(s) what you want to download

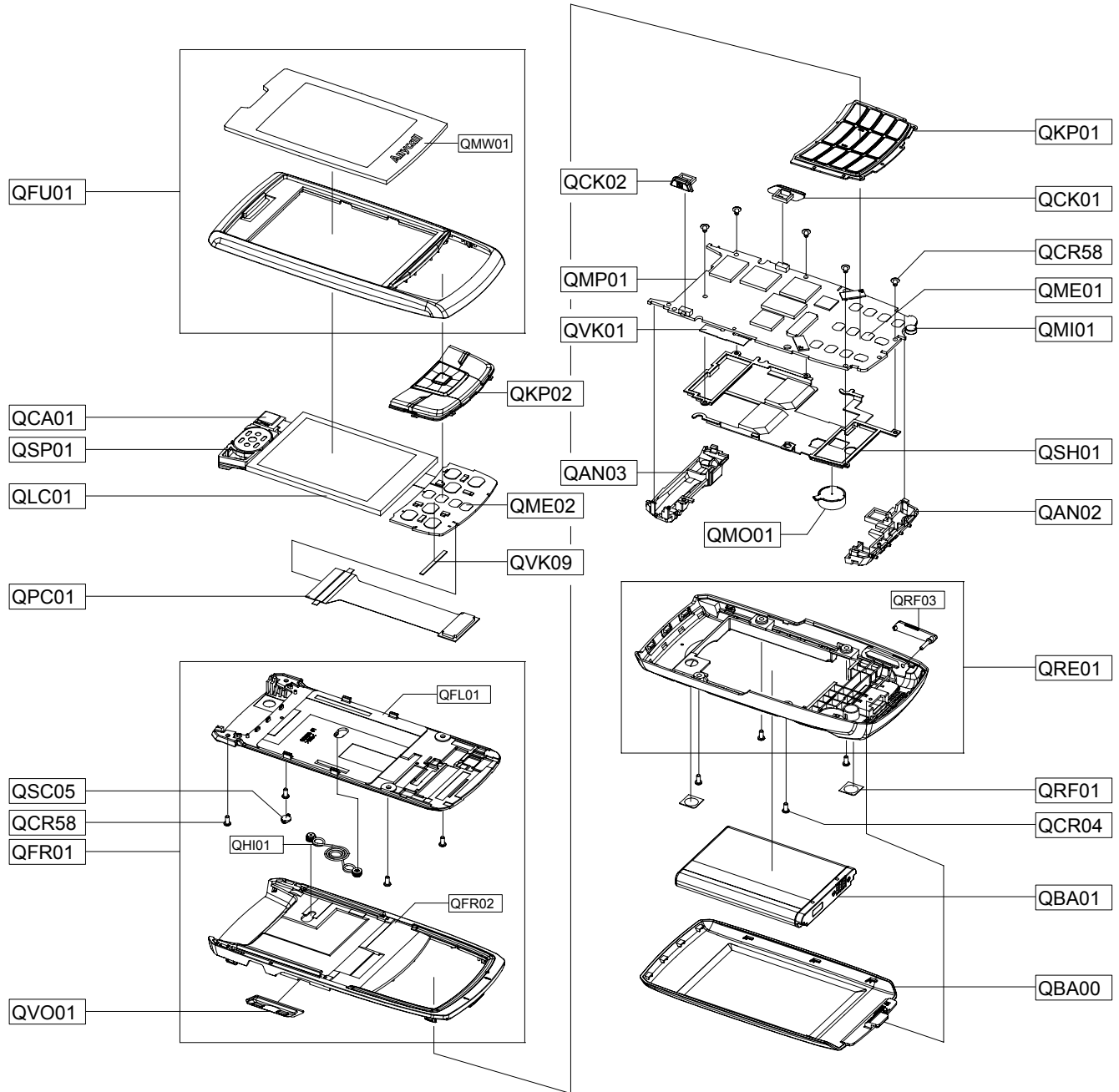
-if you select ARM9, select the file "D88800000_Master.ooo"

-if you select ARM7, select the file "D88800000_Slave.ooo"



5. Exploded View and Parts List

5-1. Cellular phone Exploded View



5-2. Cellular phone Parts List

Design LOC		Description	SEC CODE
QAN02		INTENNA-SGHD888 MASTER	GH42-01277A
QAN03		INTENNA-SGHD888 SLAVE	GH42-01278A
QBA00		PMO COVER-BATT	GH72-43208A
QBA01		INNER BATTERY PACK-1200MAH,BLK	GH43-02570A
QCA01		CAMERA MODULE	GH59-04686A
QCK01		PMO KEY-CAMERA	GH72-42702A
QCK02		PMO KEY-SWITCH	GH72-42704B
QCR04		SCREW-MACHINE	6001-001479
QCR58		SCREW-MACHINE	6001-001870
QCR58		SCREW-MACHINE	6001-001870
QKP01		ASSY KEYPAD-MAIN(SER/BLK)	GH98-06250A
QKP02		ASSY KEYPAD-SUB(EU/BLK)	GH98-06251A
QLC01		ELA ETC-SGHD888 LCD MODULE	GH96-02740A
QME01		DOME SHEET-DOME SHEET 12KEY(MA	GH59-04694A
QME02		DOME SHEET-DOME SHEET 10KEY(SU	GH59-04695A
QMI01		MICROPHONE-ASSY-SGHD888	GH30-00400A
QMO01		MOTOR DC	GH31-00303A
QMP01		PBA MAIN-SGHD880	GH92-03970A
QPC01		MEA-SLIDER FPCB KIT(D880)	GH97-08361A
QRF01		TAPE-RF COVER	GH74-34624B
QSC05		RMO COVER-LOWER SCREW L	GH73-10853A
QSH01		ASSY COVER-SHIELD CAN	GH98-05452A
QSP01		ASSY ETC-MODULE SPEAKER	GH59-04744A
QVK01		KEY FPCB-VOLUME 2KEY	GH59-05174A
QVK09		FPC-SINGLE SIDE FPC(D888)	GH41-01987A
QVO01		PMO KEY-VOL	GH72-42703A
QRE01		ASSY CASE-REAR	GH98-05698A
	QRF03	PMO COVER-EAR IF	GH72-42701B
QFU01		ASSY CASE-UPPER	GH98-06403A
	QMW01	ASSY COVER-MAIN WINODW(SER)	GH98-07047A

Design LOC		Description	SEC CODE
QFR01		ASSY CASE-FRONT SLIDE LOWER	GH98-06450B
	QFL01	ASSY CASE-LOWER	GH98-05430B
	QFR02	ASSY CASE-FRONT	GH98-05429B
	QHI01	ASSY HINGE-MULTI TORSION SPRIN	GH98-05822A

Description	SEC CODE
BAG PE	6902-000634
CBF INTERFACE-DLC APCBS10BBE(S	GH39-00922A
ADAPTOR-ATADS10EBE,BLK,EU	GH44-01702A
S/W CD-SGHD880 PC LINK CD	GH46-00535A
EARPHONE-AAEP405QBE,S20P,EU	GH59-05296A
LABEL(P)-UNIT SEAL	GH68-00518B
MANUAL-SFC	GH68-04336A
LABEL(R)-WATER SOAK	GH68-09361A
LABEL(R)-MAIN(SER)	GH68-16409A
MANUAL USERS-EU RUSSIAN	GH68-16604A
BOX-UNIT(SER)	GH69-06063A
CUSHION-CASE(EU)	GH69-06065A
TAPE INSU	GH74-30410A
TAPE INSU	GH74-32729A
TAPE GASK	GH74-33529A
TAPE GASK-SUB PCB1	GH74-34627A
TAPE INSU-SUB PCB	GH74-34629A
TAPE INSU	GH74-34677A
TAPE GASK	GH74-34813A
TAPE-REMOVE	GH74-35112A
TAPE GASK	GH74-35775A
VINYL-BOHO UPPER	GH74-36200A
TAPE INSU-PBA	GH74-36228A
TAPE-UPPER DOWN	GH74-36285A
TAPE GASK-LCD3	GH74-36536A
TAPE GASK-PBA MAIN2	GH74-36537A
TAPE-LCD	GH74-36538A
TAPE-FPCB	GH74-36539A
VINYL-BOHO SUB KEY	GH74-36626A
SPONGE	GH74-36646A
TAPE-SPK DECO	GH74-36658A

6. MAIN Electrical Parts List

SEC Code	Design LOC	Description	STATUS
0403-001547	D400	DIODE-ZENER	SA
0403-001547	D602	DIODE-ZENER	SA
0406-001200	D300	DIODE-TVS	SA
0406-001203	D621	DIODE-TVS	SA
0406-001208	ZD600	DIODE-TVS	SA
0406-001208	ZD601	DIODE-TVS	SA
0406-001223	D500	DIODE-TVS	SA
0406-001223	D501	DIODE-TVS	SA
0406-001231	D603	DIODE-TVS	SA
0406-001231	D607	DIODE-TVS	SA
0406-001231	D608	DIODE-TVS	SA
0406-001231	D609	DIODE-TVS	SA
0406-001231	D611	DIODE-TVS	SA
0406-001231	D612	DIODE-TVS	SA
0406-001231	D613	DIODE-TVS	SA
0406-001231	D617	DIODE-TVS	SA
0406-001231	D618	DIODE-TVS	SA
0406-001231	D619	DIODE-TVS	SA
0406-001231	D620	DIODE-TVS	SA
0406-001231	D622	DIODE-TVS	SA
0406-001231	D623	DIODE-TVS	SA
0406-001231	D624	DIODE-TVS	SA
0406-001231	D625	DIODE-TVS	SA
0505-002111	Q800	FET-SILICON	SA
0505-002111	U307	FET-SILICON	SA
0601-002268	LED1	LED	SA
0601-002268	LED2	LED	SA
0801-003022	U305	IC-CMOS LOGIC	SA
0801-003055	U400	IC-CMOS LOGIC	SA
1001-001394	U601	IC-ANALOG SWITCH	SA
1001-001429	U200	IC-ANALOG MULTIPLEX	SA
1001-001429	U201	IC-ANALOG MULTIPLEX	SA
1001-001453	U501	IC-ANALOG SWITCH	SA
1001-001453	U502	IC-ANALOG SWITCH	SA
1001-001453	U505	IC-ANALOG SWITCH	SA
1001-001453	U507	IC-ANALOG SWITCH	SA
1001-001470	U103	IC-ANALOG SWITCH	SA
1001-001470	U500	IC-ANALOG SWITCH	SA
1001-001470	U600	IC-ANALOG SWITCH	SA
1003-002047	U402	IC-MOTOR DRIVER	SA
1009-001020	U403	IC-HALL EFFECT S/W	SA
1106-001519	UME400	IC-SRAM	SA
1108-000103	UME800	IC-MCP	SA
1108-000112	UME300	IC-MCP	SA
1201-002147	U303	IC-VIDEO AMP	SA
1201-002490	PAM700	IC-POWER AMP	SA
1201-002492	U506	IC-AUDIO AMP	SA
1201-002576	PAM100	IC-POWER AMP	SA
1203-004382	UPL400	IC-POWER SUPERVISOR	SA
1203-004550	UPL800	IC-POWER SUPERVISOR	SA
1203-004763	U603	IC-VOL. DETECTOR	SA
1203-004792	U203	IC-POSI.FIXED REG.	SA
1203-004792	U401	IC-POSI.FIXED REG.	SA

Main Electrical Parts List

SEC Code	Design LOC	Description	STATUS
1203-004792	U503	IC-POSI.FIXED REG.	SA
1203-004793	U302	IC-POSI.FIXED REG.	SA
1203-004802	U300	IC-POSI.FIXED REG.	SA
1203-004806	U301	IC-POSI.FIXED REG.	SA
1203-004806	U306	IC-POSI.FIXED REG.	SA
1203-004807	U102	IC-POSI.FIXED REG.	SA
1205-003082	UCP200	IC-COMM. CONTROLLER	SA
1205-003192	UCP800	IC-COMM. CONTROLLER	SA
1205-003210	U304	IC-CODEC	SA
1205-003214	U504	IC-CODEC	SA
1205-003216	U101	IC-TRANSCEIVER	SA
1205-003278	U700	IC-TRANSCEIVER	SA
1205-003283	U104	IC-TRANSCEIVER	SA
1404-001221	TH800	THERMISTOR-NTC	SA
1404-001221	U204	THERMISTOR-NTC	SA
1405-001138	V200	VARISTOR	SA
1405-001138	V401	VARISTOR	SA
1405-001138	V800	VARISTOR	SA
2007-000070	R624	R-CHIP	SA
2007-000138	C830	R-CHIP	SA
2007-000138	C831	R-CHIP	SA
2007-000140	R107	R-CHIP	SA
2007-000140	R236	R-CHIP	SA
2007-000140	R330	R-CHIP	SA
2007-000140	R441	R-CHIP	SA
2007-000140	R841	R-CHIP	SA
2007-000141	R319	R-CHIP	SA
2007-000141	R320	R-CHIP	SA
2007-000141	R431	R-CHIP	SA
2007-000141	R832	R-CHIP	SA
2007-000141	R834	R-CHIP	SA
2007-000143	R110	R-CHIP	SA
2007-000143	R315	R-CHIP	SA
2007-000143	R703	R-CHIP	SA
2007-000143	R723	R-CHIP	SA
2007-000143	R724	R-CHIP	SA
2007-000143	R725	R-CHIP	SA
2007-000143	R726	R-CHIP	SA
2007-000143	R840	R-CHIP	SA
2007-000148	R100	R-CHIP	SA
2007-000148	R108	R-CHIP	SA
2007-000148	R204	R-CHIP	SA
2007-000148	R205	R-CHIP	SA
2007-000148	R214	R-CHIP	SA
2007-000148	R216	R-CHIP	SA
2007-000148	R228	R-CHIP	SA
2007-000148	R239	R-CHIP	SA
2007-000148	R246	R-CHIP	SA
2007-000148	R251	R-CHIP	SA
2007-000148	R256	R-CHIP	SA
2007-000148	R444	R-CHIP	SA
2007-000148	R506	R-CHIP	SA
2007-000148	R507	R-CHIP	SA

SEC Code	Design LOC	Description	STATUS
2007-000148	R860	R-CHIP	SA
2007-000149	R439	R-CHIP	SA
2007-000157	R223	R-CHIP	SA
2007-000157	R225	R-CHIP	SA
2007-000157	R226	R-CHIP	SA
2007-000157	R515	R-CHIP	SA
2007-000157	R846	R-CHIP	SA
2007-000157	R847	R-CHIP	SA
2007-000157	R851	R-CHIP	SA
2007-000159	R333	R-CHIP	SA
2007-000162	R206	R-CHIP	SA
2007-000162	R247	R-CHIP	SA
2007-000162	R309	R-CHIP	SA
2007-000162	R310	R-CHIP	SA
2007-000162	R312	R-CHIP	SA
2007-000162	R316	R-CHIP	SA
2007-000162	R322	R-CHIP	SA
2007-000162	R323	R-CHIP	SA
2007-000162	R331	R-CHIP	SA
2007-000162	R332	R-CHIP	SA
2007-000162	R334	R-CHIP	SA
2007-000162	R408	R-CHIP	SA
2007-000162	R410	R-CHIP	SA
2007-000162	R411	R-CHIP	SA
2007-000162	R412	R-CHIP	SA
2007-000162	R414	R-CHIP	SA
2007-000162	R416	R-CHIP	SA
2007-000162	R420	R-CHIP	SA
2007-000162	R426	R-CHIP	SA
2007-000162	R433	R-CHIP	SA
2007-000162	R620	R-CHIP	SA
2007-000162	R621	R-CHIP	SA
2007-000162	R813	R-CHIP	SA
2007-000162	R826	R-CHIP	SA
2007-000162	R827	R-CHIP	SA
2007-000162	R828	R-CHIP	SA
2007-000162	R842	R-CHIP	SA
2007-000162	R843	R-CHIP	SA
2007-000162	R844	R-CHIP	SA
2007-000162	R855	R-CHIP	SA
2007-000162	R858	R-CHIP	SA
2007-000166	R335	R-CHIP	SA
2007-000170	R314	R-CHIP	SA
2007-000171	C725	R-CHIP	SA
2007-000171	L700	R-CHIP	SA
2007-000171	R253	R-CHIP	SA
2007-000171	R422	R-CHIP	SA
2007-000171	R425	R-CHIP	SA
2007-000171	R446	R-CHIP	SA
2007-000171	R447	R-CHIP	SA
2007-000171	R449	R-CHIP	SA
2007-000171	R450	R-CHIP	SA
2007-000171	R451	R-CHIP	SA

Main Electrical Parts List

SEC Code	Design LOC	Description	STATUS
2007-000171	R513	R-CHIP	SA
2007-000171	R520	R-CHIP	SA
2007-000171	R521	R-CHIP	SA
2007-000171	R523	R-CHIP	SA
2007-000171	R618	R-CHIP	SA
2007-000171	R619	R-CHIP	SA
2007-000171	R622	R-CHIP	SA
2007-000171	R623	R-CHIP	SA
2007-000171	R718	R-CHIP	SA
2007-000171	R719	R-CHIP	SA
2007-000171	R848	R-CHIP	SA
2007-000171	R853	R-CHIP	SA
2007-000171	R859	R-CHIP	SA
2007-000171	U703	R-CHIP	SA
2007-000174	R805	R-CHIP	SA
2007-000242	C636	R-CHIP	SA
2007-000242	R857	R-CHIP	SA
2007-000636	R856	R-CHIP	SA
2007-000758	R218	R-CHIP	SA
2007-000758	R235	R-CHIP	SA
2007-000758	R438	R-CHIP	SA
2007-000758	R838	R-CHIP	SA
2007-000831	R440	R-CHIP	SA
2007-000932	R716	R-CHIP	SA
2007-000932	R717	R-CHIP	SA
2007-000932	R721	R-CHIP	SA
2007-000932	R722	R-CHIP	SA
2007-001291	R610	R-CHIP	SA
2007-001291	R613	R-CHIP	SA
2007-001292	R442	R-CHIP	SA
2007-001292	R443	R-CHIP	SA
2007-001306	R318	R-CHIP	SA
2007-001319	R240	R-CHIP	SA
2007-001319	R241	R-CHIP	SA
2007-001319	R248	R-CHIP	SA
2007-001319	R249	R-CHIP	SA
2007-001333	R328	R-CHIP	SA
2007-001333	R448	R-CHIP	SA
2007-001333	R603	R-CHIP	SA
2007-001333	R606	R-CHIP	SA
2007-001339	R835	R-CHIP	SA
2007-003001	R714	R-CHIP	SA
2007-003001	R720	R-CHIP	SA
2007-007009	R317	R-CHIP	SA
2007-007092	R701	R-CHIP	SA
2007-007100	R815	R-CHIP	SA
2007-007107	R237	R-CHIP	SA
2007-007107	R250	R-CHIP	SA
2007-007107	R821	R-CHIP	SA
2007-007107	R830	R-CHIP	SA
2007-007137	R503	R-CHIP	SA
2007-007137	R504	R-CHIP	SA
2007-007137	R508	R-CHIP	SA

SEC Code	Design LOC	Description	STATUS
2007-007137	R509	R-CHIP	SA
2007-007137	R516	R-CHIP	SA
2007-007139	R852	R-CHIP	SA
2007-007142	R607	R-CHIP	SA
2007-007142	R615	R-CHIP	SA
2007-007311	R429	R-CHIP	SA
2007-007312	R614	R-CHIP	SA
2007-007317	R519	R-CHIP	SA
2007-007318	R435	R-CHIP	SA
2007-007318	R510	R-CHIP	SA
2007-007318	R511	R-CHIP	SA
2007-007334	R616	R-CHIP	SA
2007-007334	R850	R-CHIP	SA
2007-007489	R102	R-CHIP	SA
2007-007573	R400	R-CHIP	SA
2007-007573	R849	R-CHIP	SA
2007-007981	R604	R-CHIP	SA
2007-008055	R61	R-CHIP	SA
2007-008354	R402	R-CHIP	SA
2007-008516	R229	R-CHIP	SA
2007-009084	R244	R-CHIP	SA
2007-009084	R245	R-CHIP	SA
2203-000233	C113	C-CER,CHIP	SA
2203-000233	C128	C-CER,CHIP	SA
2203-000233	C411	C-CER,CHIP	SA
2203-000254	C202	C-CER,CHIP	SA
2203-000254	C610	C-CER,CHIP	SA
2203-000254	C717	C-CER,CHIP	SA
2203-000254	C802	C-CER,CHIP	SA
2203-000254	C805	C-CER,CHIP	SA
2203-000254	C808	C-CER,CHIP	SA
2203-000278	C112	C-CER,CHIP	SA
2203-000278	C124	C-CER,CHIP	SA
2203-000278	C126	C-CER,CHIP	SA
2203-000278	C127	C-CER,CHIP	SA
2203-000278	C154	C-CER,CHIP	SA
2203-000278	C511	C-CER,CHIP	SA
2203-000278	C512	C-CER,CHIP	SA
2203-000278	C711	C-CER,CHIP	SA
2203-000278	C721	C-CER,CHIP	SA
2203-000311	C131	C-CER,CHIP	SA
2203-000311	C606	C-CER,CHIP	SA
2203-000330	C152	C-CER,CHIP	SA
2203-000330	C153	C-CER,CHIP	SA
2203-000425	C222	C-CER,CHIP	SA
2203-000425	C224	C-CER,CHIP	SA
2203-000425	C320	C-CER,CHIP	SA
2203-000425	C321	C-CER,CHIP	SA
2203-000425	C329	C-CER,CHIP	SA
2203-000425	C413	C-CER,CHIP	SA
2203-000425	C414	C-CER,CHIP	SA
2203-000425	C600	C-CER,CHIP	SA
2203-000425	C609	C-CER,CHIP	SA

Main Electrical Parts List

SEC Code	Design LOC	Description	STATUS
2203-000425	C814	C-CER,CHIP	SA
2203-000425	C816	C-CER,CHIP	SA
2203-000438	C100	C-CER,CHIP	SA
2203-000438	C148	C-CER,CHIP	SA
2203-000466	C716	C-CER,CHIP	SA
2203-000466	C718	C-CER,CHIP	SA
2203-000489	C709	C-CER,CHIP	SA
2203-000679	C812	C-CER,CHIP	SA
2203-000714	C433	C-CER,CHIP	SA
2203-000812	C120	C-CER,CHIP	SA
2203-000812	C121	C-CER,CHIP	SA
2203-000812	C129	C-CER,CHIP	SA
2203-000812	C137	C-CER,CHIP	SA
2203-000812	C138	C-CER,CHIP	SA
2203-000812	C139	C-CER,CHIP	SA
2203-000812	C140	C-CER,CHIP	SA
2203-000812	C141	C-CER,CHIP	SA
2203-000812	C229	C-CER,CHIP	SA
2203-000812	C302	C-CER,CHIP	SA
2203-000812	C303	C-CER,CHIP	SA
2203-000812	C628	C-CER,CHIP	SA
2203-000812	C704	C-CER,CHIP	SA
2203-000812	C706	C-CER,CHIP	SA
2203-000812	C707	C-CER,CHIP	SA
2203-000812	C708	C-CER,CHIP	SA
2203-000812	C821	C-CER,CHIP	SA
2203-000812	C841	C-CER,CHIP	SA
2203-000812	R713	C-CER,CHIP	SA
2203-000854	C811	C-CER,CHIP	SA
2203-000995	C103	C-CER,CHIP	SA
2203-000995	C108	C-CER,CHIP	SA
2203-000995	C507	C-CER,CHIP	SA
2203-000995	C553	C-CER,CHIP	SA
2203-000995	C554	C-CER,CHIP	SA
2203-000995	C603	C-CER,CHIP	SA
2203-000995	C722	C-CER,CHIP	SA
2203-000995	C723	C-CER,CHIP	SA
2203-001072	R707	C-CER,CHIP	SA
2203-001201	C700	C-CER,CHIP	SA
2203-001239	C544	C-CER,CHIP	SA
2203-001239	C545	C-CER,CHIP	SA
2203-001239	C637	C-CER,CHIP	SA
2203-001239	C638	C-CER,CHIP	SA
2203-001239	C639	C-CER,CHIP	SA
2203-001259	C602	C-CER,CHIP	SA
2203-001385	C713	C-CER,CHIP	SA
2203-001385	C714	C-CER,CHIP	SA
2203-001437	C601	C-CER,CHIP	SA
2203-001437	C608	C-CER,CHIP	SA
2203-002443	C435	C-CER,CHIP	SA
2203-002677	C116	C-CER,CHIP	SA
2203-002677	C146	C-CER,CHIP	SA
2203-002709	C109	C-CER,CHIP	SA

SEC Code	Design LOC	Description	STATUS
2203-005050	C110	C-CER,CHIP	SA
2203-005050	C114	C-CER,CHIP	SA
2203-005050	C508	C-CER,CHIP	SA
2203-005052	C701	C-CER,CHIP	SA
2203-005234	C702	C-CER,CHIP	SA
2203-005288	C101	C-CER,CHIP	SA
2203-005288	C104	C-CER,CHIP	SA
2203-005288	C117	C-CER,CHIP	SA
2203-005288	C119	C-CER,CHIP	SA
2203-005288	L101	C-CER,CHIP	SA
2203-005395	C134	C-CER,CHIP	SA
2203-005482	C214	C-CER,CHIP	SA
2203-005482	C307	C-CER,CHIP	SA
2203-005482	C309	C-CER,CHIP	SA
2203-005482	C310	C-CER,CHIP	SA
2203-005482	C311	C-CER,CHIP	SA
2203-005482	C313	C-CER,CHIP	SA
2203-005482	C314	C-CER,CHIP	SA
2203-005482	C315	C-CER,CHIP	SA
2203-005482	C319	C-CER,CHIP	SA
2203-005482	C505	C-CER,CHIP	SA
2203-005482	C506	C-CER,CHIP	SA
2203-005482	C509	C-CER,CHIP	SA
2203-005482	C510	C-CER,CHIP	SA
2203-005482	C516	C-CER,CHIP	SA
2203-005482	C519	C-CER,CHIP	SA
2203-005482	C520	C-CER,CHIP	SA
2203-005482	C521	C-CER,CHIP	SA
2203-005482	C530	C-CER,CHIP	SA
2203-005482	C531	C-CER,CHIP	SA
2203-005482	C537	C-CER,CHIP	SA
2203-005482	C540	C-CER,CHIP	SA
2203-005482	C542	C-CER,CHIP	SA
2203-005482	C543	C-CER,CHIP	SA
2203-005482	C555	C-CER,CHIP	SA
2203-005482	C710	C-CER,CHIP	SA
2203-005482	C712	C-CER,CHIP	SA
2203-005482	C720	C-CER,CHIP	SA
2203-005482	C724	C-CER,CHIP	SA
2203-005482	C809	C-CER,CHIP	SA
2203-005482	C810	C-CER,CHIP	SA
2203-005482	C813	C-CER,CHIP	SA
2203-005482	C838	C-CER,CHIP	SA
2203-005483	C826	C-CER,CHIP	SA
2203-005496	C118	C-CER,CHIP	SA
2203-005496	C149	C-CER,CHIP	SA
2203-005496	C200	C-CER,CHIP	SA
2203-005496	C201	C-CER,CHIP	SA
2203-005496	C203	C-CER,CHIP	SA
2203-005496	C204	C-CER,CHIP	SA
2203-005496	C205	C-CER,CHIP	SA
2203-005496	C207	C-CER,CHIP	SA
2203-005496	C208	C-CER,CHIP	SA

Main Electrical Parts List

SEC Code	Design LOC	Description	STATUS
2203-005496	C209	C-CER,CHIP	SA
2203-005496	C210	C-CER,CHIP	SA
2203-005496	C211	C-CER,CHIP	SA
2203-005496	C213	C-CER,CHIP	SA
2203-005682	C206	C-CER,CHIP	SA
2203-005682	C212	C-CER,CHIP	SA
2203-005719	C216	C-CER,CHIP	SA
2203-005719	C823	C-CER,CHIP	SA
2203-005993	C533	C-CER,CHIP	SA
2203-005993	C534	C-CER,CHIP	SA
2203-006048	C130	C-CER,CHIP	SA
2203-006048	C132	C-CER,CHIP	SA
2203-006048	C133	C-CER,CHIP	SA
2203-006048	C144	C-CER,CHIP	SA
2203-006048	C300	C-CER,CHIP	SA
2203-006048	C416	C-CER,CHIP	SA
2203-006048	C417	C-CER,CHIP	SA
2203-006048	C423	C-CER,CHIP	SA
2203-006048	C427	C-CER,CHIP	SA
2203-006048	C546	C-CER,CHIP	SA
2203-006048	C547	C-CER,CHIP	SA
2203-006048	C604	C-CER,CHIP	SA
2203-006048	C607	C-CER,CHIP	SA
2203-006048	C631	C-CER,CHIP	SA
2203-006048	C632	C-CER,CHIP	SA
2203-006048	C633	C-CER,CHIP	SA
2203-006048	C800	C-CER,CHIP	SA
2203-006048	C801	C-CER,CHIP	SA
2203-006048	C803	C-CER,CHIP	SA
2203-006048	C804	C-CER,CHIP	SA
2203-006048	C806	C-CER,CHIP	SA
2203-006048	C807	C-CER,CHIP	SA
2203-006048	C834	C-CER,CHIP	SA
2203-006048	C835	C-CER,CHIP	SA
2203-006257	C401	C-CER,CHIP	SA
2203-006257	C402	C-CER,CHIP	SA
2203-006257	C404	C-CER,CHIP	SA
2203-006257	C406	C-CER,CHIP	SA
2203-006257	C408	C-CER,CHIP	SA
2203-006257	C412	C-CER,CHIP	SA
2203-006257	C421	C-CER,CHIP	SA
2203-006257	C815	C-CER,CHIP	SA
2203-006257	C829	C-CER,CHIP	SA
2203-006257	C832	C-CER,CHIP	SA
2203-006257	C836	C-CER,CHIP	SA
2203-006257	C837	C-CER,CHIP	SA
2203-006260	C532	C-CER,CHIP	SA
2203-006260	C535	C-CER,CHIP	SA
2203-006260	C549	C-CER,CHIP	SA
2203-006260	C550	C-CER,CHIP	SA
2203-006260	C551	C-CER,CHIP	SA
2203-006260	C552	C-CER,CHIP	SA
2203-006324	C422	C-CER,CHIP	SA

SEC Code	Design LOC	Description	STATUS
2203-006348	C415	C-CER,CHIP	SA
2203-006361	C425	C-CER,CHIP	SA
2203-006399	C125	C-CER,CHIP	SA
2203-006399	C223	C-CER,CHIP	SA
2203-006399	C226	C-CER,CHIP	SA
2203-006399	C306	C-CER,CHIP	SA
2203-006399	C312	C-CER,CHIP	SA
2203-006399	C326	C-CER,CHIP	SA
2203-006399	C328	C-CER,CHIP	SA
2203-006399	C429	C-CER,CHIP	SA
2203-006399	C431	C-CER,CHIP	SA
2203-006399	C434	C-CER,CHIP	SA
2203-006399	C523	C-CER,CHIP	SA
2203-006399	C524	C-CER,CHIP	SA
2203-006399	C526	C-CER,CHIP	SA
2203-006399	C615	C-CER,CHIP	SA
2203-006399	C630	C-CER,CHIP	SA
2203-006399	C827	C-CER,CHIP	SA
2203-006474	C426	C-CER,CHIP	SA
2203-006562	C106	C-CER,CHIP	SA
2203-006562	C142	C-CER,CHIP	SA
2203-006562	C225	C-CER,CHIP	SA
2203-006562	C227	C-CER,CHIP	SA
2203-006562	C228	C-CER,CHIP	SA
2203-006562	C316	C-CER,CHIP	SA
2203-006562	C325	C-CER,CHIP	SA
2203-006562	C327	C-CER,CHIP	SA
2203-006562	C420	C-CER,CHIP	SA
2203-006562	C430	C-CER,CHIP	SA
2203-006562	C525	C-CER,CHIP	SA
2203-006562	C528	C-CER,CHIP	SA
2203-006562	C629	C-CER,CHIP	SA
2203-006824	C403	C-CER,CHIP	SA
2203-006824	C407	C-CER,CHIP	SA
2203-006824	C410	C-CER,CHIP	SA
2203-006824	C424	C-CER,CHIP	SA
2203-006824	C825	C-CER,CHIP	SA
2203-006824	C828	C-CER,CHIP	SA
2203-006825	C405	C-CER,CHIP	SA
2203-006838	C102	C-CER,CHIP	SA
2203-006838	C107	C-CER,CHIP	SA
2203-006838	C122	C-CER,CHIP	SA
2203-006838	C123	C-CER,CHIP	SA
2203-006838	C301	C-CER,CHIP	SA
2203-006838	C304	C-CER,CHIP	SA
2203-006838	C305	C-CER,CHIP	SA
2203-006838	C308	C-CER,CHIP	SA
2203-006838	C317	C-CER,CHIP	SA
2203-006838	C324	C-CER,CHIP	SA
2203-006838	C418	C-CER,CHIP	SA
2203-006838	C419	C-CER,CHIP	SA
2203-006839	C219	C-CER,CHIP	SA
2203-006839	C824	C-CER,CHIP	SA

Main Electrical Parts List

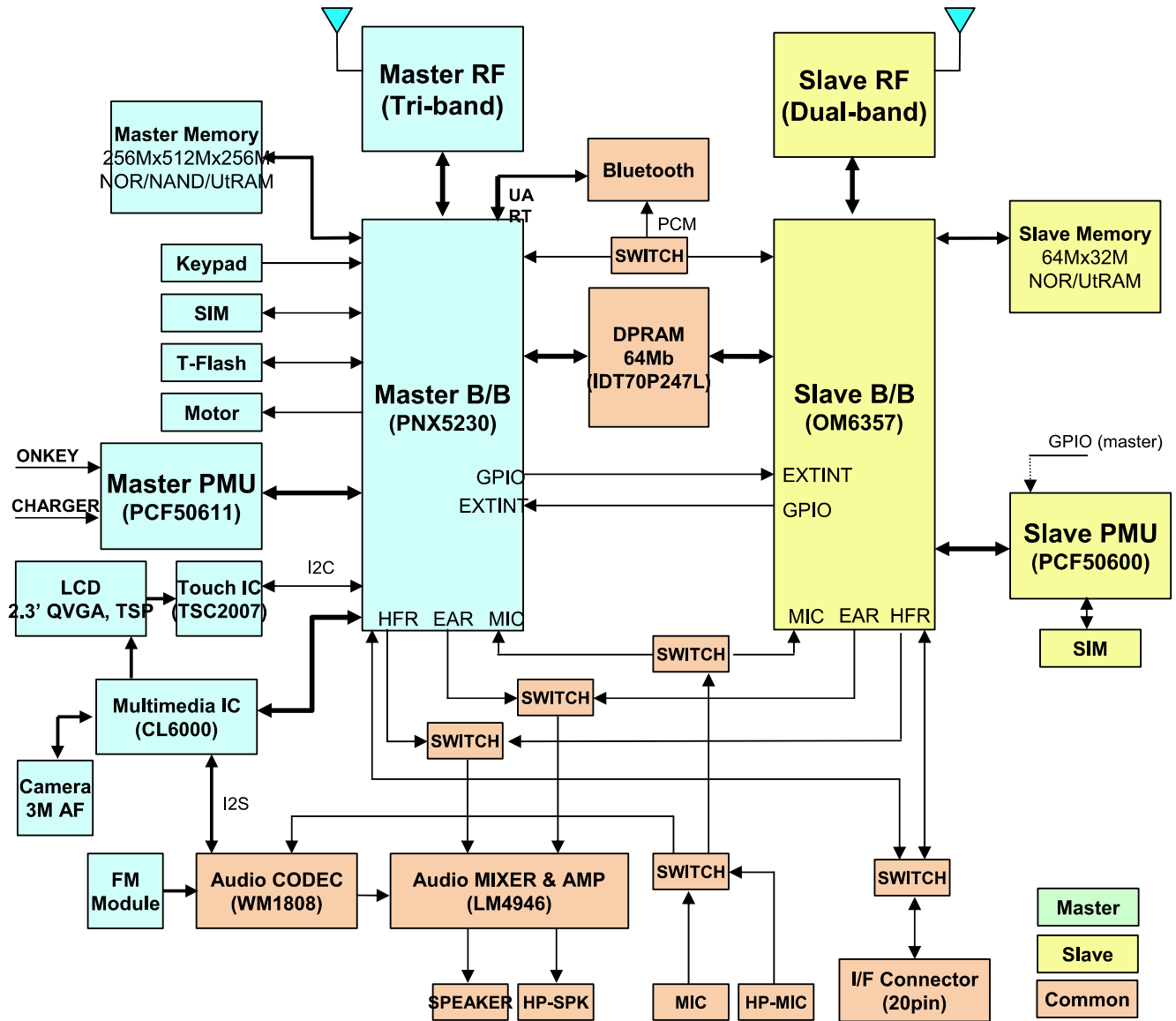
SEC Code	Design LOC	Description	STATUS
2203-006841	C436	C-CER,CHIP	SA
2203-006841	C844	C-CER,CHIP	SA
2404-001225	TA300	C-TA,CHIP	SA
2404-001225	TA505	C-TA,CHIP	SA
2404-001225	TA507	C-TA,CHIP	SA
2404-001225	TA508	C-TA,CHIP	SA
2404-001226	TA506	C-TA,CHIP	SA
2404-001381	TA400	C-TA,CHIP	SA
2404-001381	TA800	C-TA,CHIP	SA
2404-001396	TA502	C-TA,CHIP	SA
2404-001396	TA503	C-TA,CHIP	SA
2404-001414	TA500	C-TA,CHIP	SA
2404-001414	TA501	C-TA,CHIP	SA
2404-001430	TA504	C-TA,CHIP	SA
2404-001506	TA100	C-TA,CHIP	SA
2404-001506	TA600	C-TA,CHIP	SA
2404-001506	TA700	C-TA,CHIP	SA
2703-001259	L600	INDUCTOR-SMD	SA
2703-001737	L702	INDUCTOR-SMD	SA
2703-001737	L703	INDUCTOR-SMD	SA
2703-001752	L701	INDUCTOR-SMD	SA
2703-002170	C136	INDUCTOR-SMD	SA
2703-002205	L100	INDUCTOR-SMD	SA
2703-002313	L102	INDUCTOR-SMD	SA
2703-002314	L105	INDUCTOR-SMD	SA
2703-002367	L113	INDUCTOR-SMD	SA
2703-002368	C705	INDUCTOR-SMD	SA
2703-002544	L709	INDUCTOR-SMD	SA
2703-002558	L110	INDUCTOR-SMD	SA
2703-002558	L707	INDUCTOR-SMD	SA
2703-002586	L112	INDUCTOR-SMD	SA
2703-002608	L106	INDUCTOR-SMD	SA
2703-002608	L108	INDUCTOR-SMD	SA
2703-002701	L104	INDUCTOR-SMD	SA
2703-003290	L400	INDUCTOR-SMD	SA
2801-004455	OSC700	CRYSTAL-SMD	SA
2801-004466	OSC400	CRYSTAL-SMD	SA
2801-004466	OSC800	CRYSTAL-SMD	SA
2801-004587	OSC100	CRYSTAL-SMD	SA
2801-004587	OSC101	CRYSTAL-SMD	SA
2801-004682	OSC300	CRYSTAL-SMD	SA
2901-001286	F602	FILTER-EMI SMD	SA
2901-001286	F603	FILTER-EMI SMD	SA
2901-001286	F604	FILTER-EMI SMD	SA
2901-001286	F605	FILTER-EMI SMD	SA
2901-001286	F606	FILTER-EMI SMD	SA
2901-001315	F200	FILTER-EMI SMD	SA
2901-001408	F607	FILTER-EMI SMD	SA
2901-001463	F400	FILTER-EMI SMD	SA
2901-001463	F401	FILTER-EMI SMD	SA
2904-001744	F700	FILTER-SAW	SA
2909-001279	F100	FILTER-LC	SA
2911-000087	F101	DUPLEXER-FEM	SA

SEC Code	Design LOC	Description	STATUS
3301-001120	L401	BEAD-SMD	SA
3301-001438	L500	BEAD-SMD	SA
3301-001438	L501	BEAD-SMD	SA
3301-001438	L502	BEAD-SMD	SA
3301-001438	L503	BEAD-SMD	SA
3301-001438	L507	BEAD-SMD	SA
3301-001438	L509	BEAD-SMD	SA
3301-001438	L513	BEAD-SMD	SA
3301-001438	L514	BEAD-SMD	SA
3301-001534	L200	BEAD-SMD	SA
3301-001534	L300	BEAD-SMD	SA
3301-001534	L301	BEAD-SMD	SA
3301-001534	L504	BEAD-SMD	SA
3301-001534	L505	BEAD-SMD	SA
3301-001534	L506	BEAD-SMD	SA
3301-001534	L508	BEAD-SMD	SA
3301-001534	L510	BEAD-SMD	SA
3301-001534	L511	BEAD-SMD	SA
3301-001534	L519	BEAD-SMD	SA
3301-001659	L111	BEAD-SMD	SA
3301-001812	L403	BEAD-SMD	SA
3301-001876	L517	BEAD-SMD	SA
3301-001876	L518	BEAD-SMD	SA
3301-001885	L601	BEAD-SMD	SA
3301-001885	L602	BEAD-SMD	SA
3301-001885	L603	BEAD-SMD	SA
3404-001152	TAC3	SWITCH-TACT	SA
3404-001152	TAC4	SWITCH-TACT	SA
3705-001358	RFS100	CONNECTOR-COAXIAL	SA
3705-001421	RFS700	CONNECTOR-COAXIAL	SA
3709-001394	CD300	CONNECTOR-CARD EDGE	SA
3709-001447	SIM200	CONNECTOR-CARD EDGE	SA
3709-001447	SIM800	CONNECTOR-CARD EDGE	SA
3710-002499	IFC601	SOCKET-INTERFACE	SA
3711-006228	BTC600	HEADER-BATTERY	SA
3711-006568	HEA616	HEADER-BOARD TO BOARD	SA
4202-001391	ANT102	ANTENNA-CHIP	SA
4302-001181	BAT400	BATTERY-LI(2ND)	SA

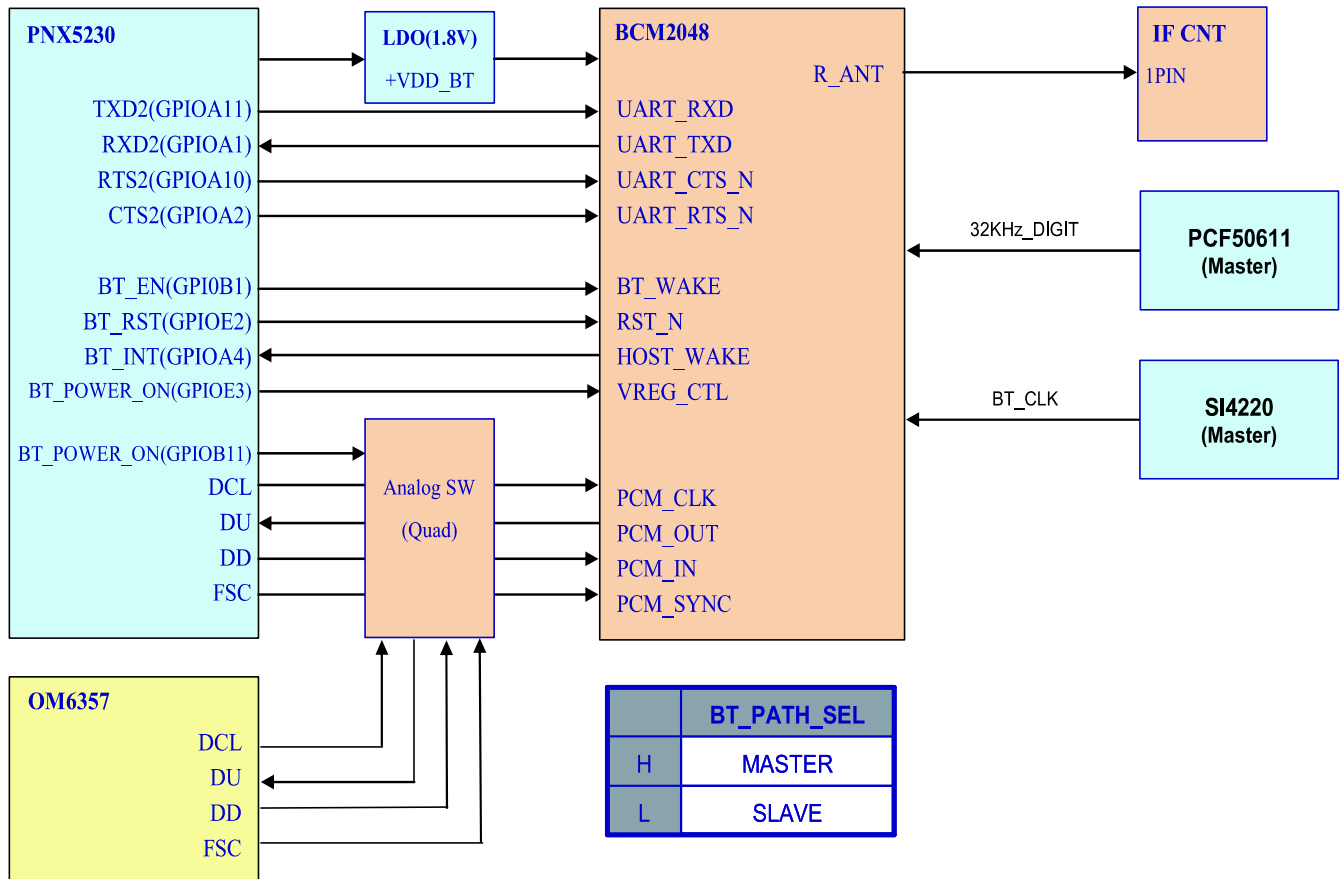
Please consult the GSPN website (Samsung Portal) for the most recent version of the product's part list.

7. Block Diagrams

7-1. Functional Block Diagram

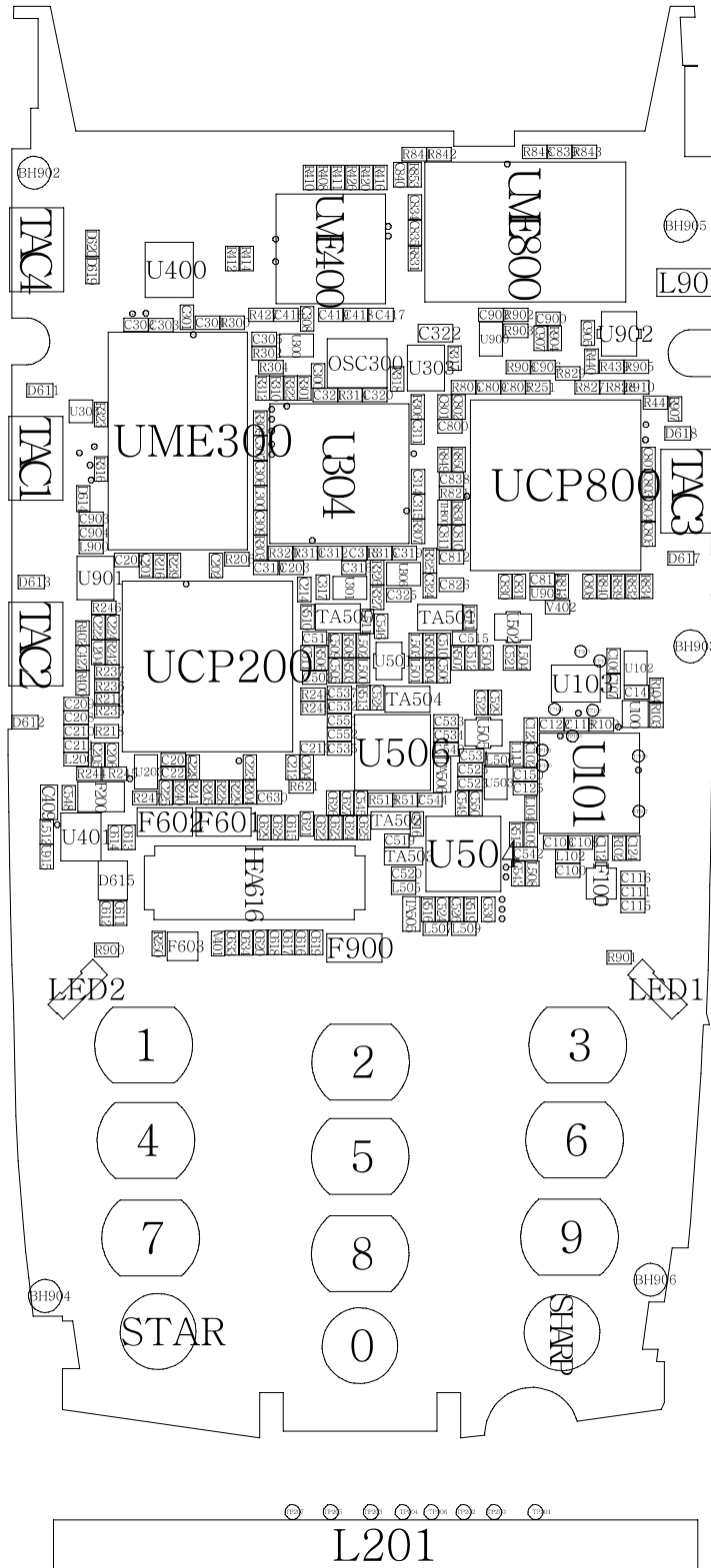


7-2. BLUETOOTH/FM Radio Block Diagram

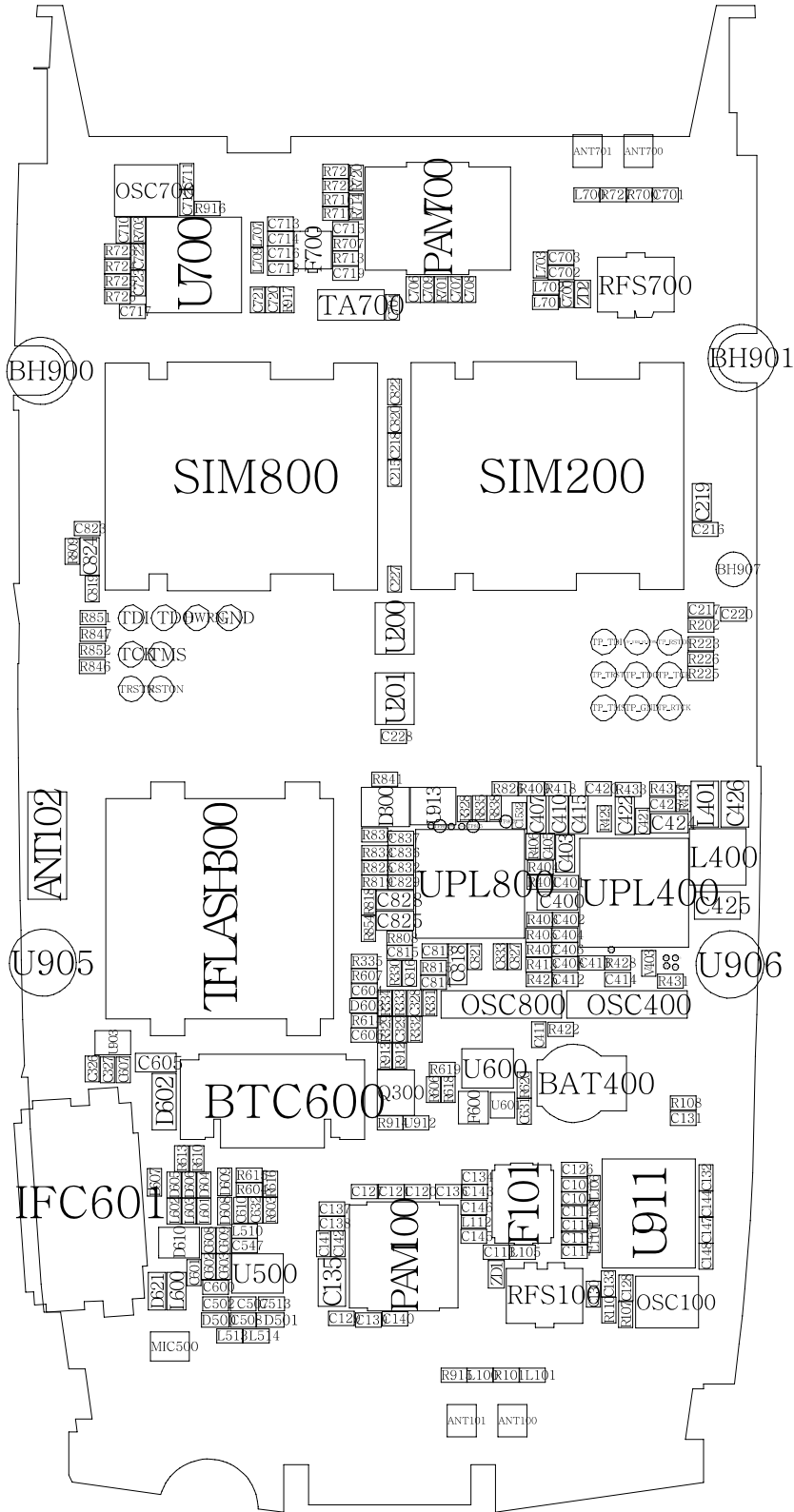


8. PCB Diagrams

– Main top view

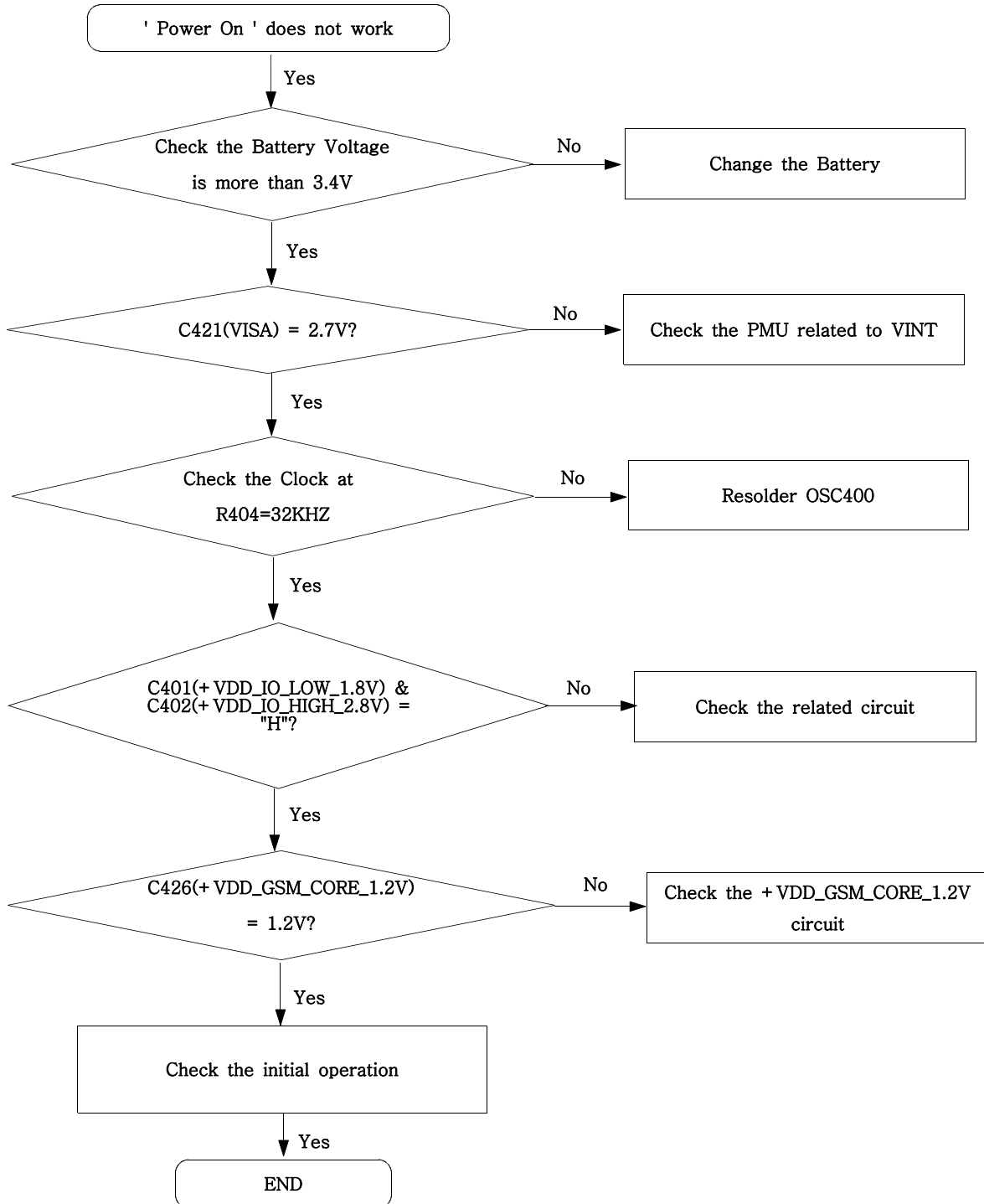


– Main bottom view

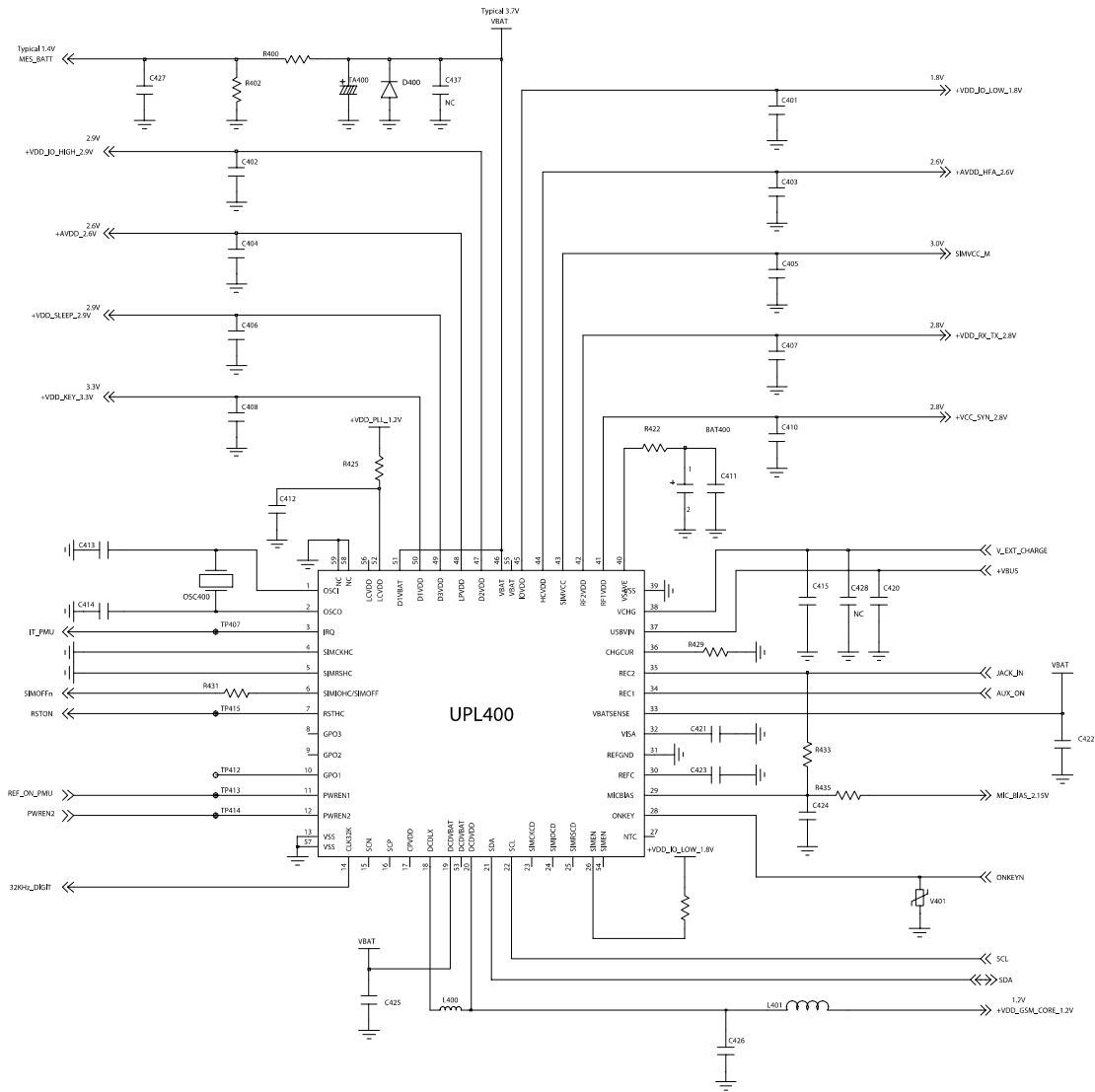


9. Flow Chart of Troubleshooting

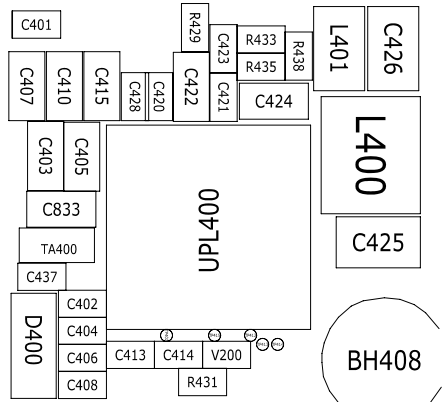
9-1. Power On



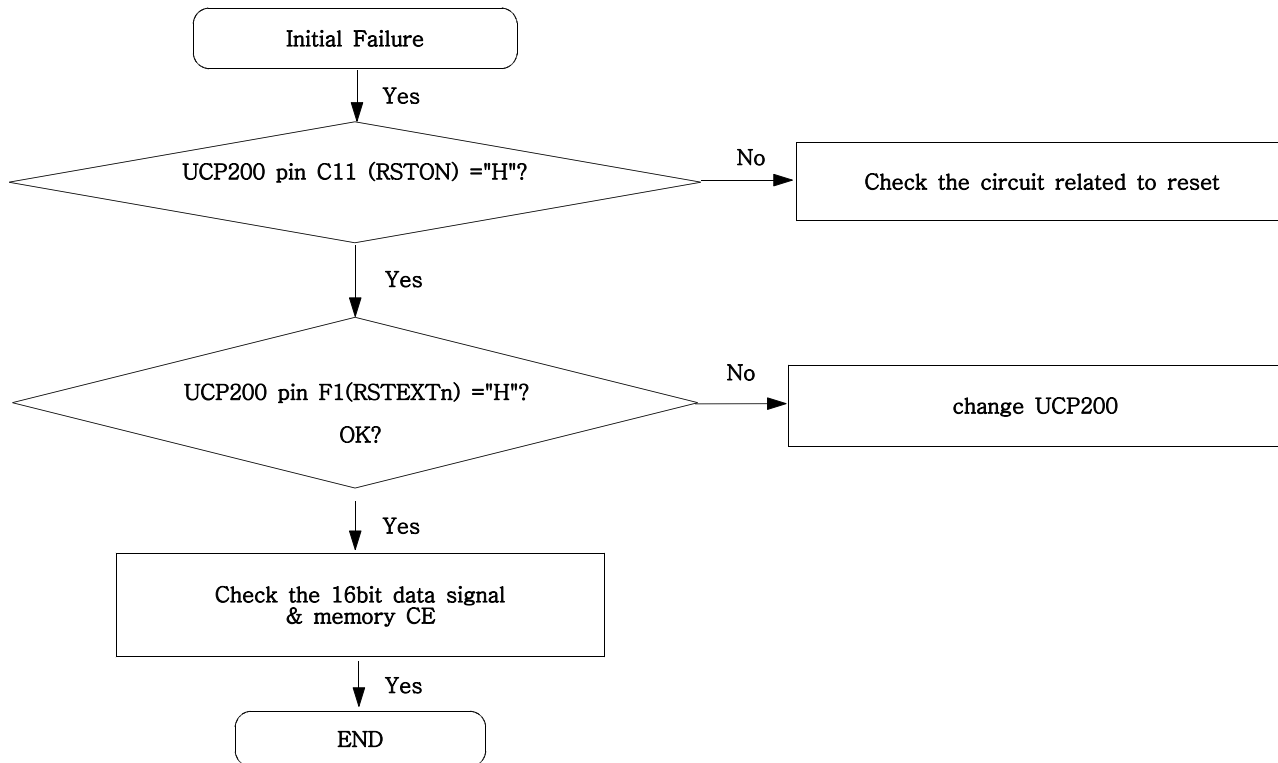
Flow Chart of Troubleshooting

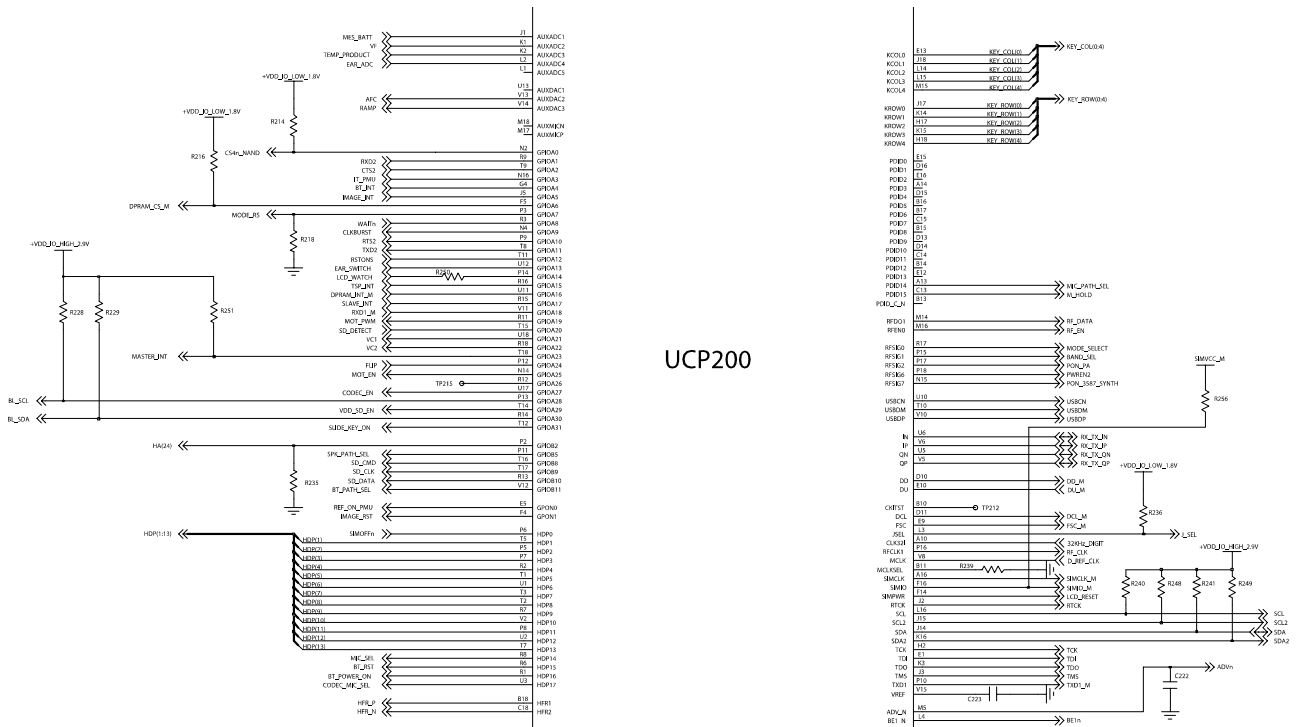


PMU

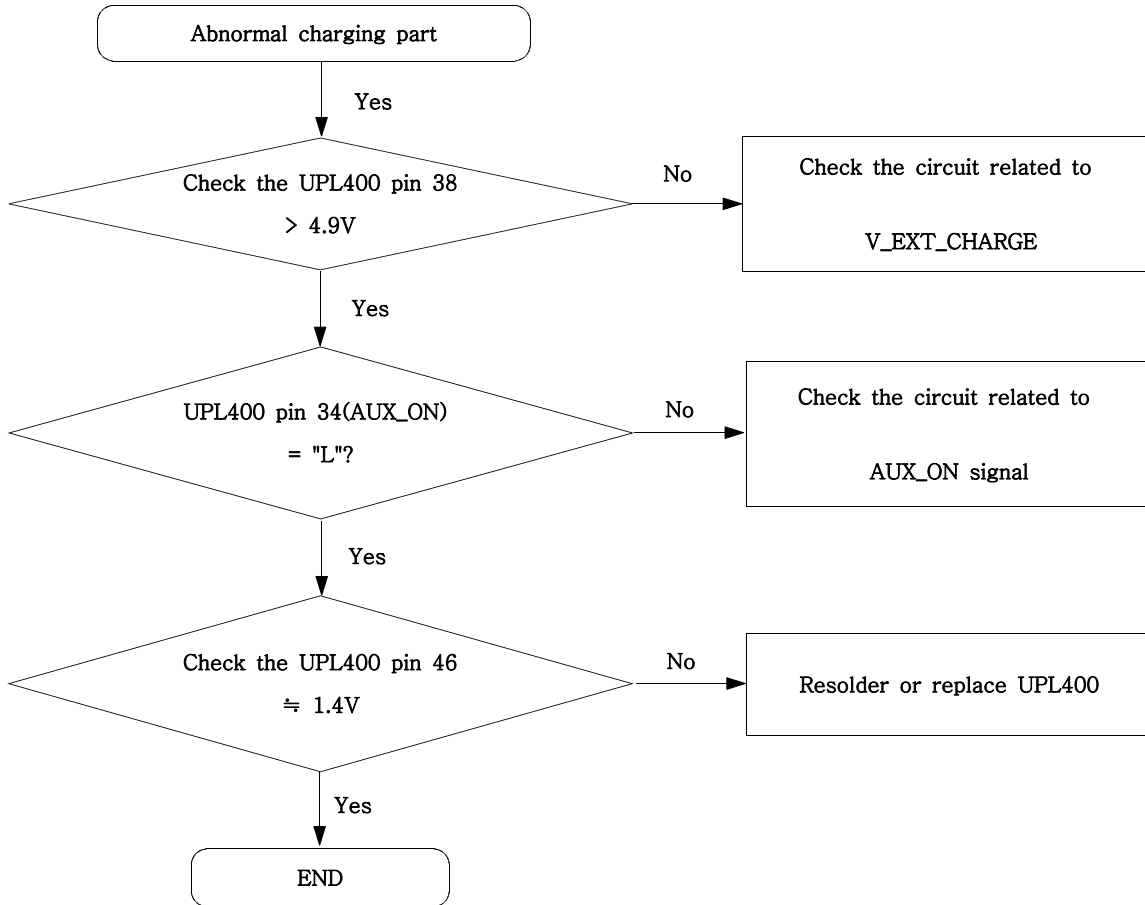


9-2. Initial

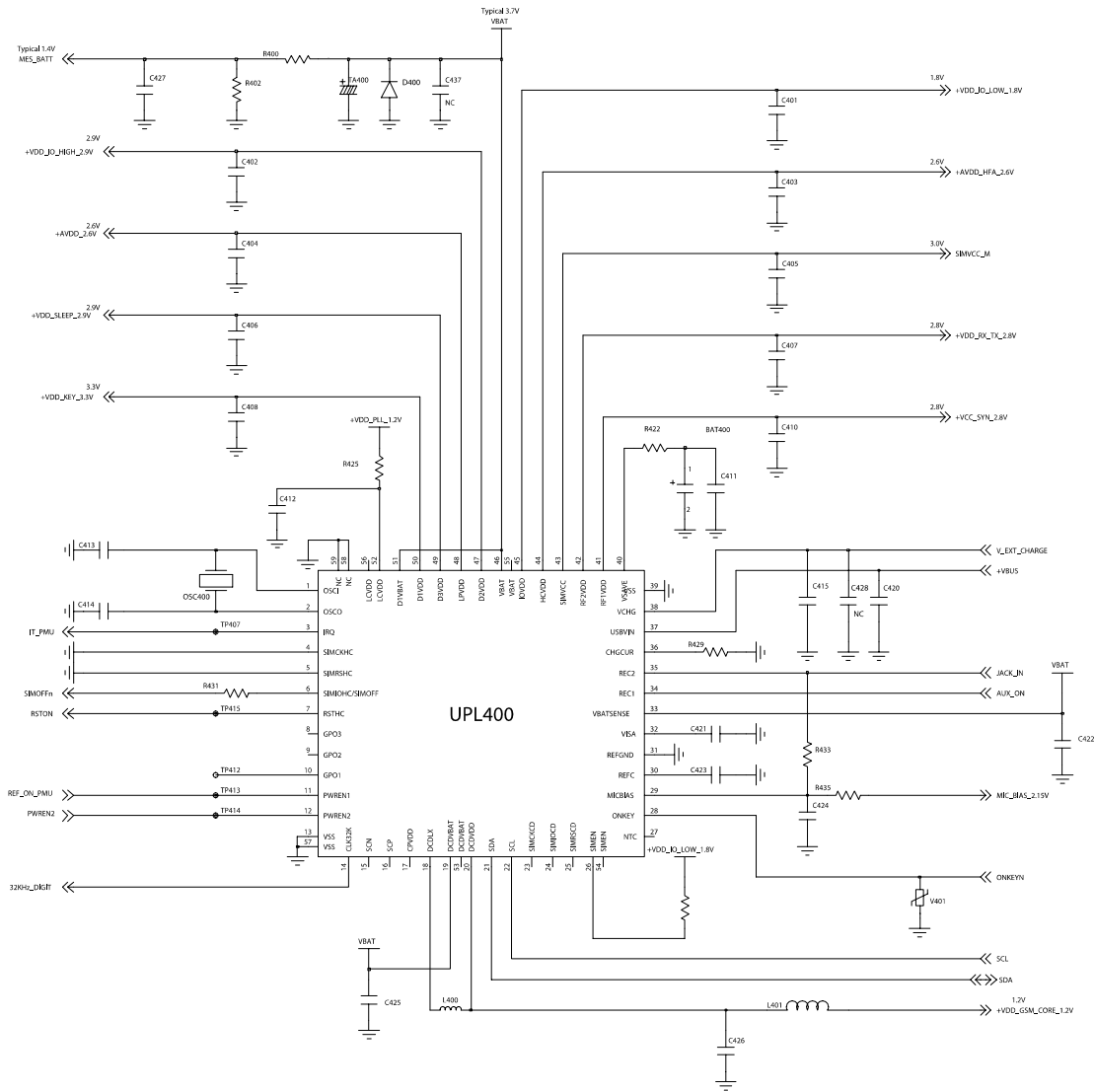




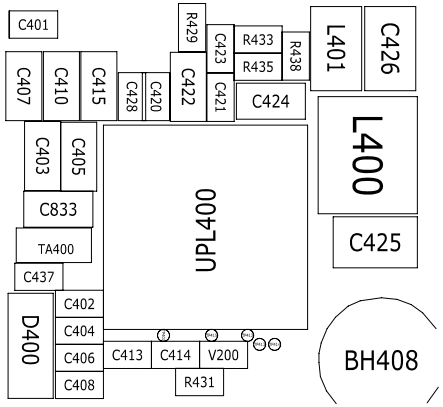
9-3. Charging Part



Flow Chart of Troubleshooting

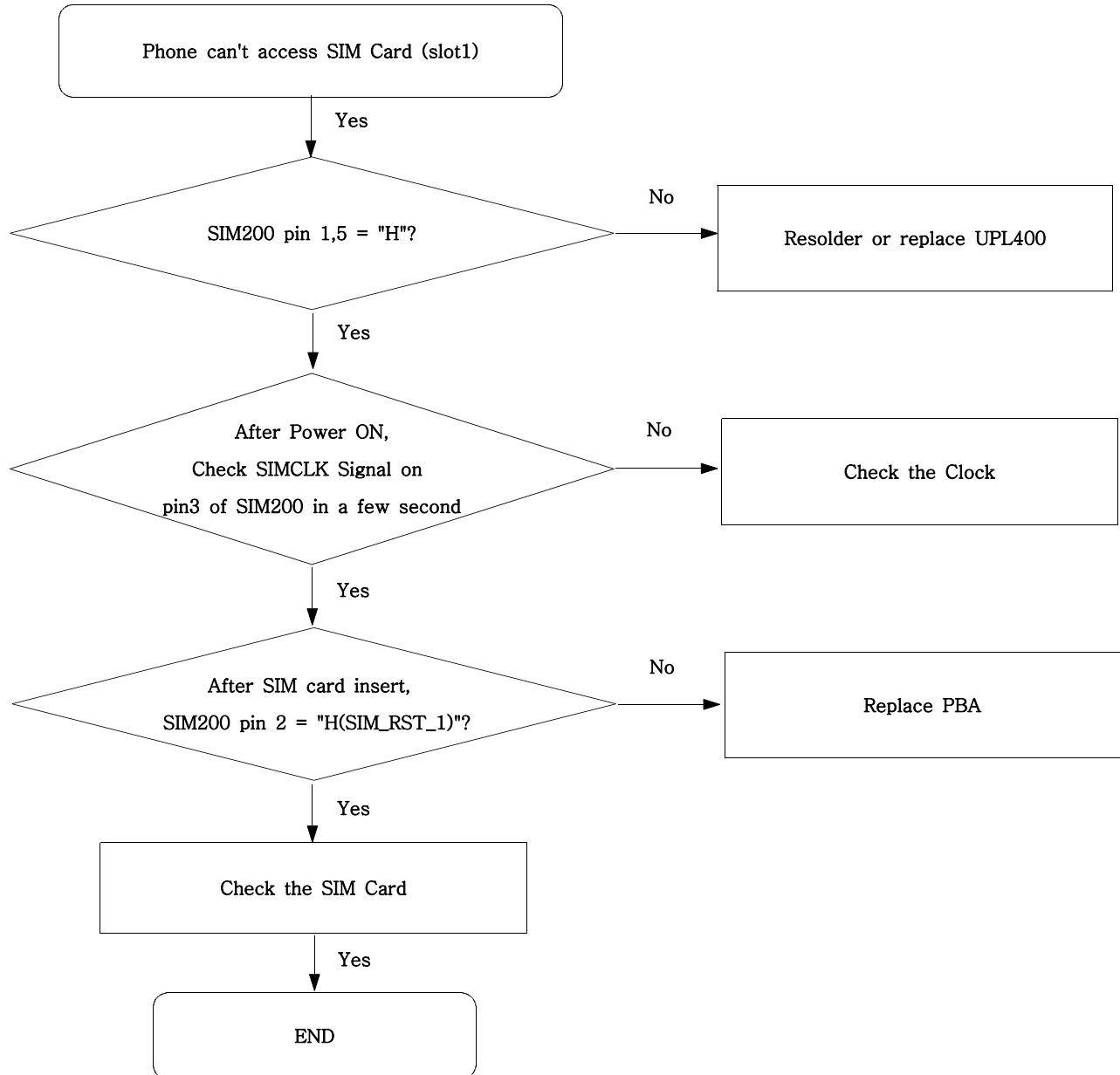


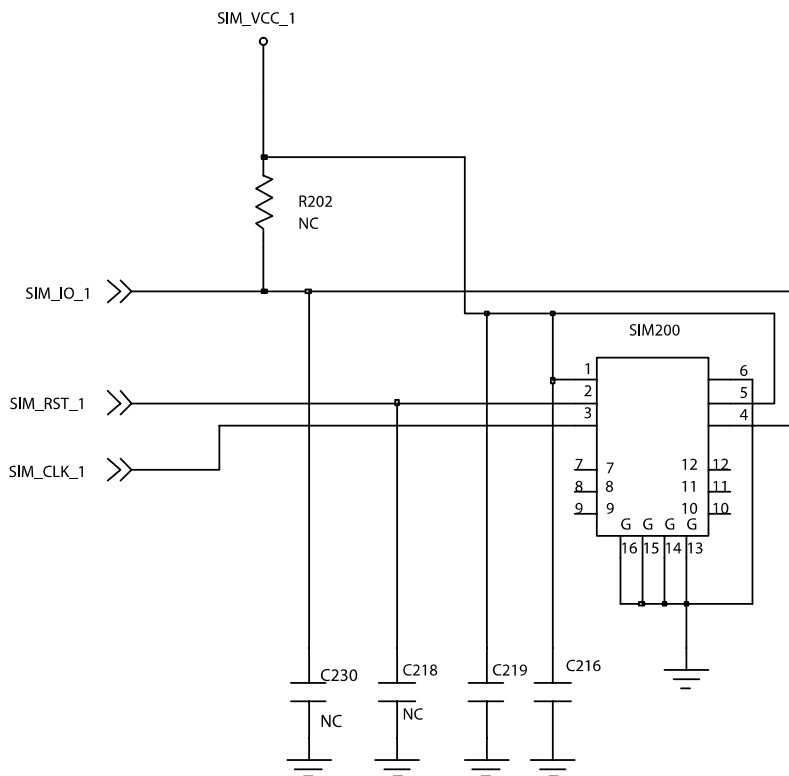
PMU



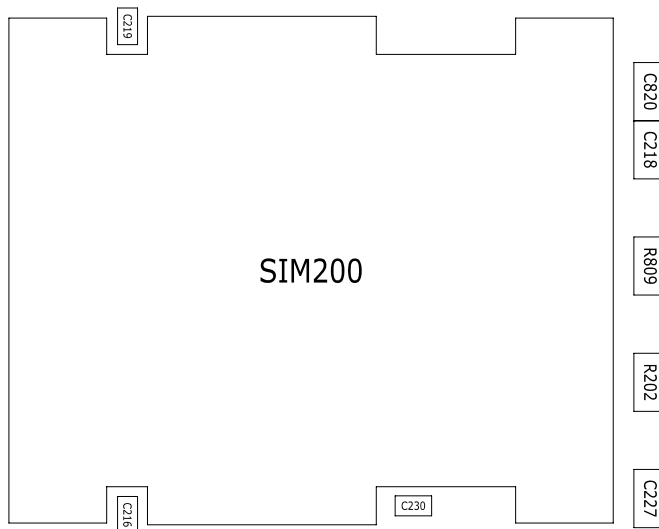
9-4. Sim Part

1)Master

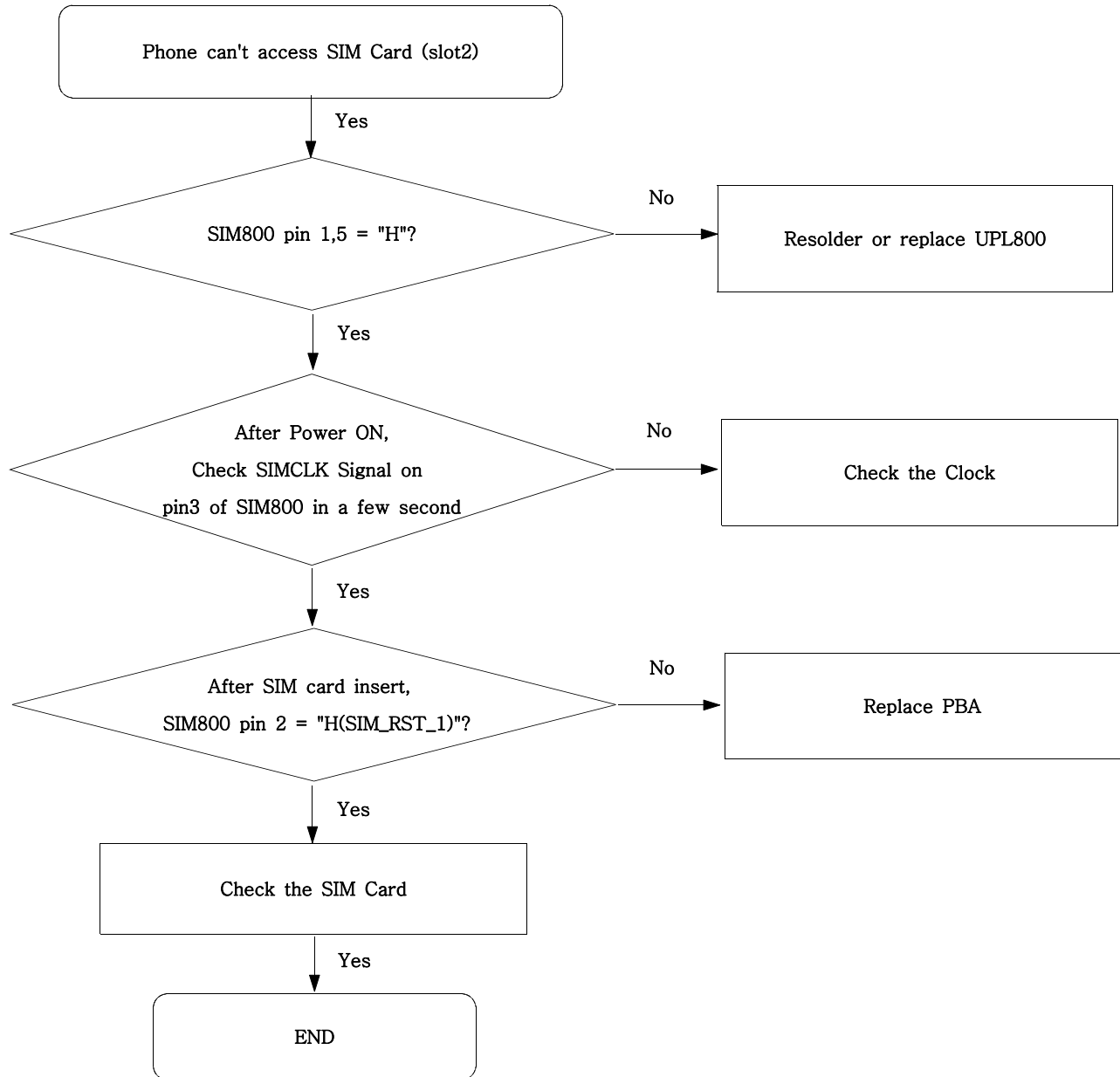


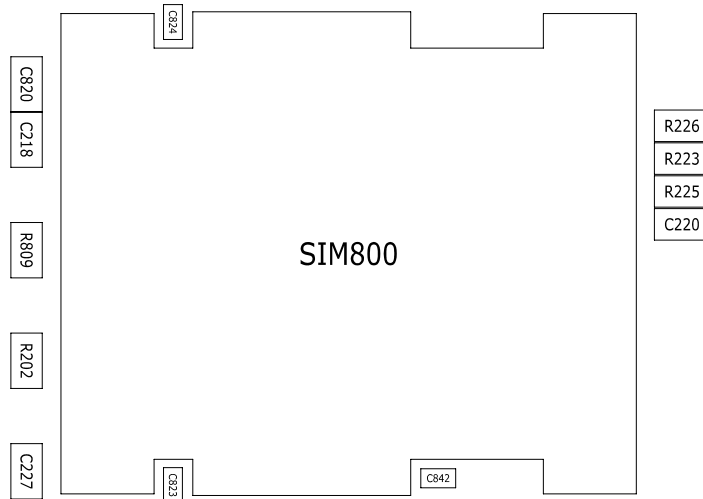
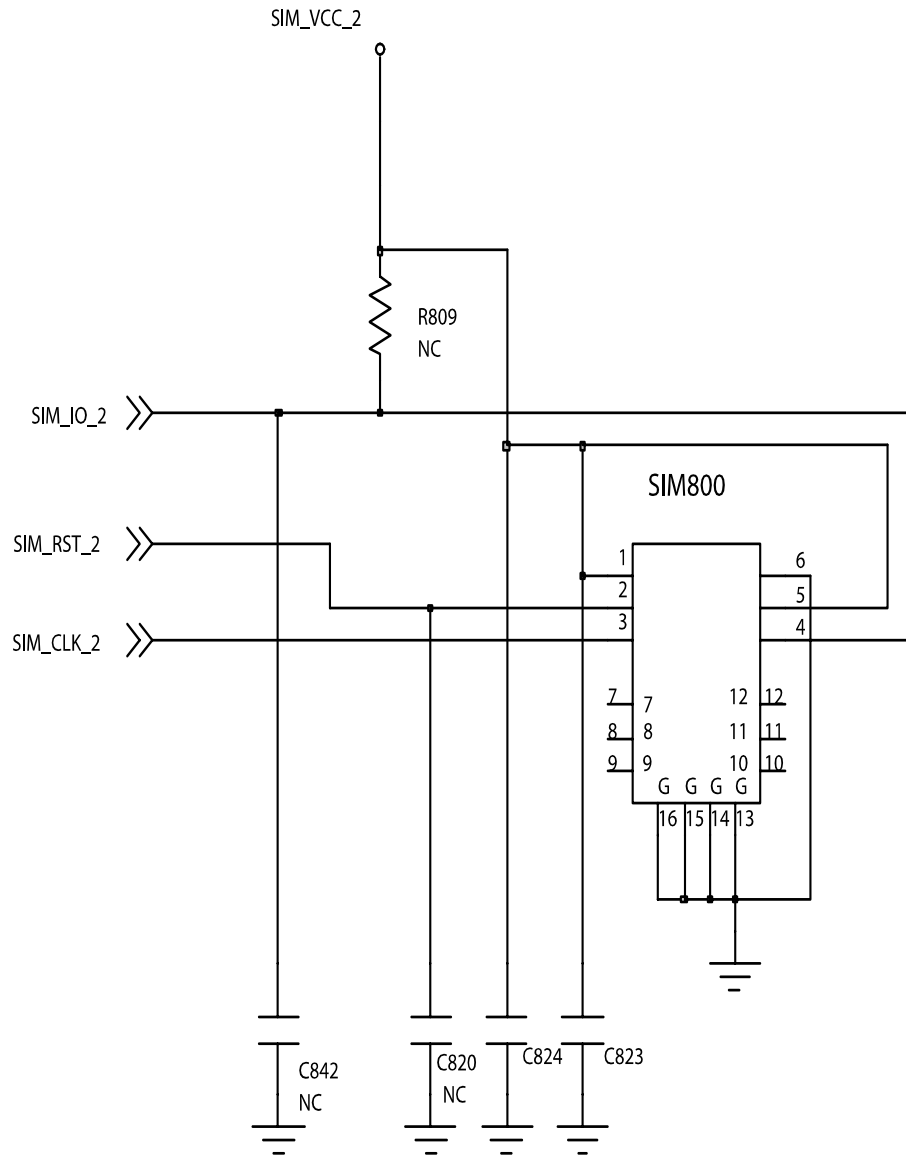


SIM1 [MASTER]

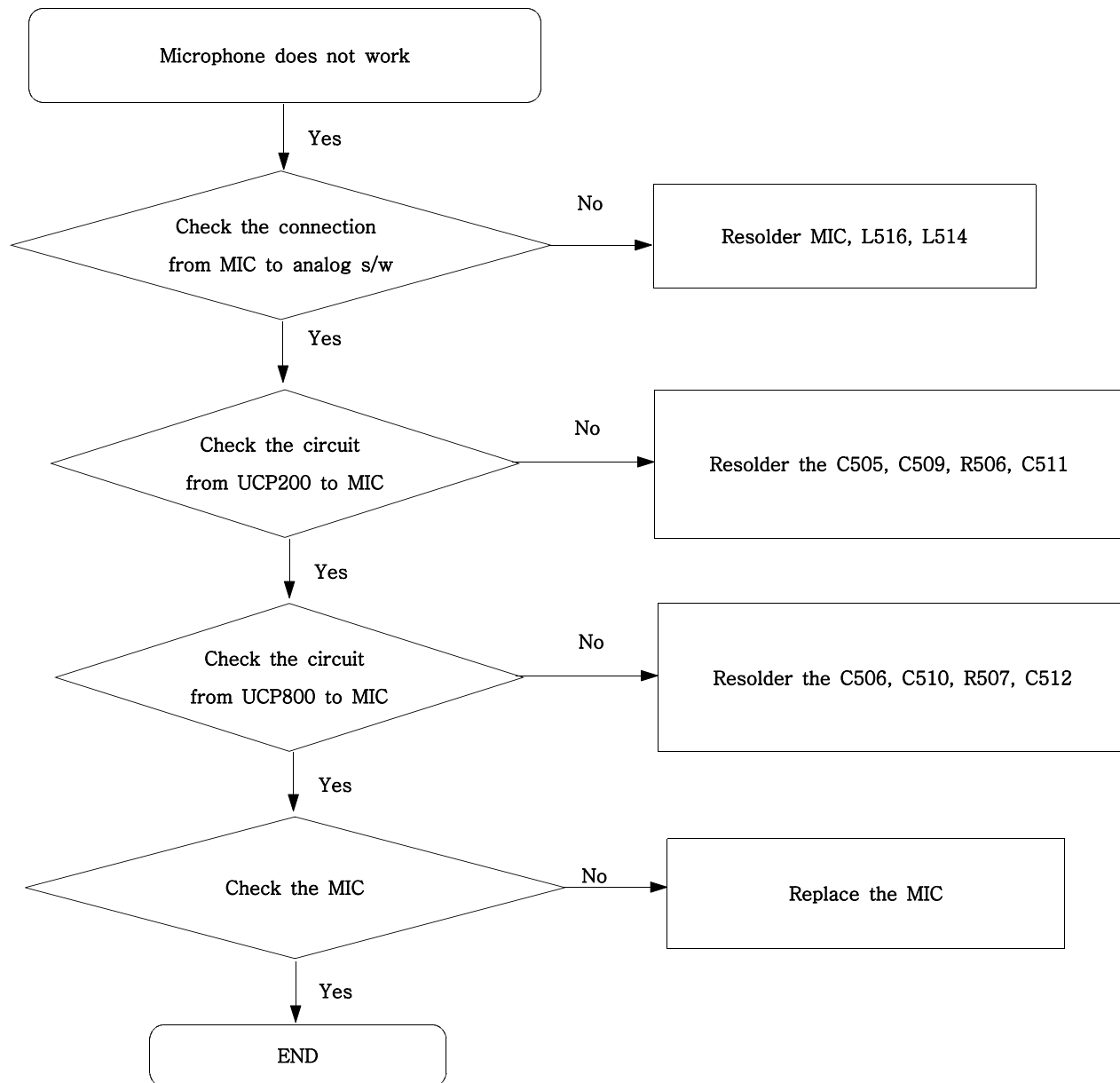


2)Slave

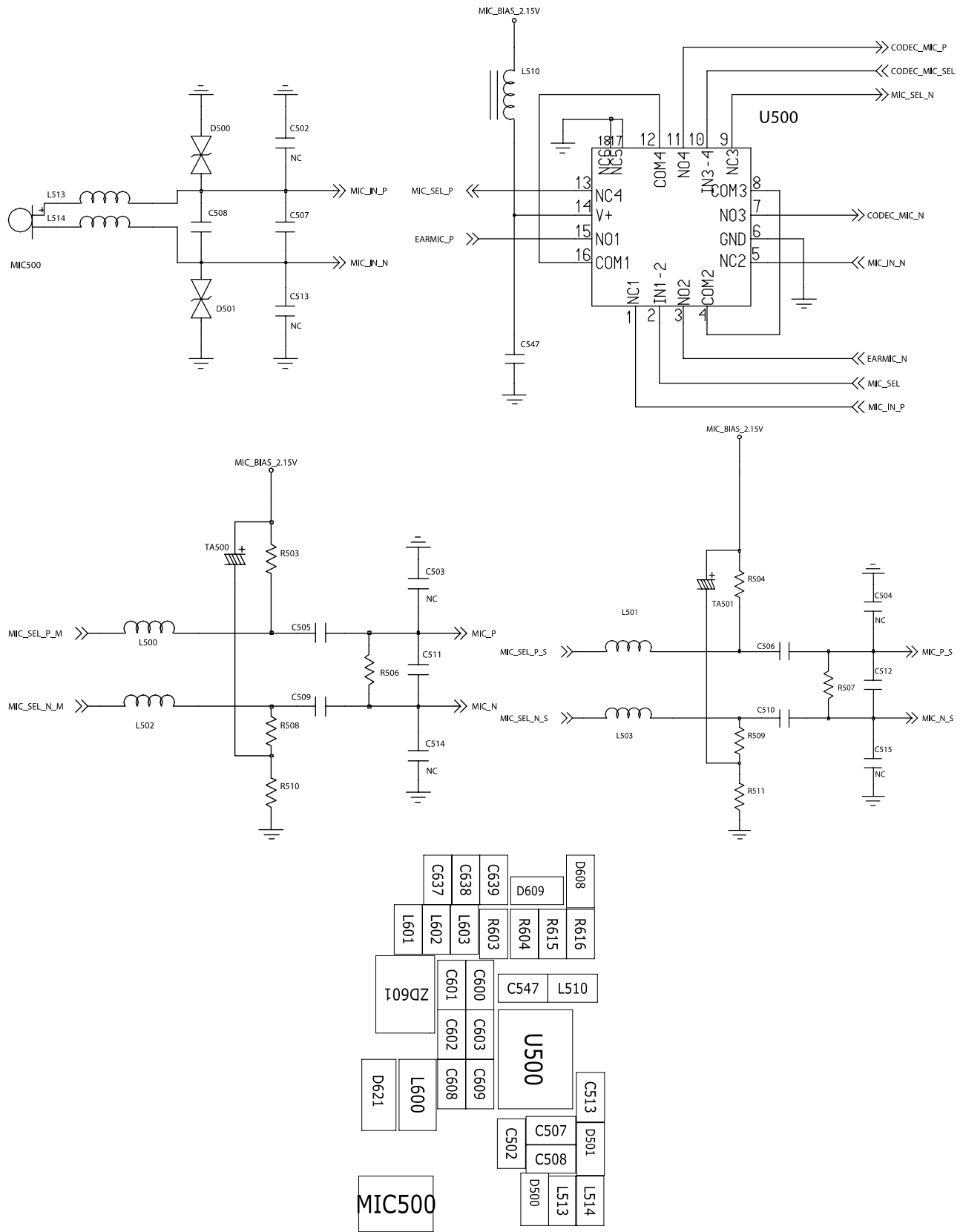




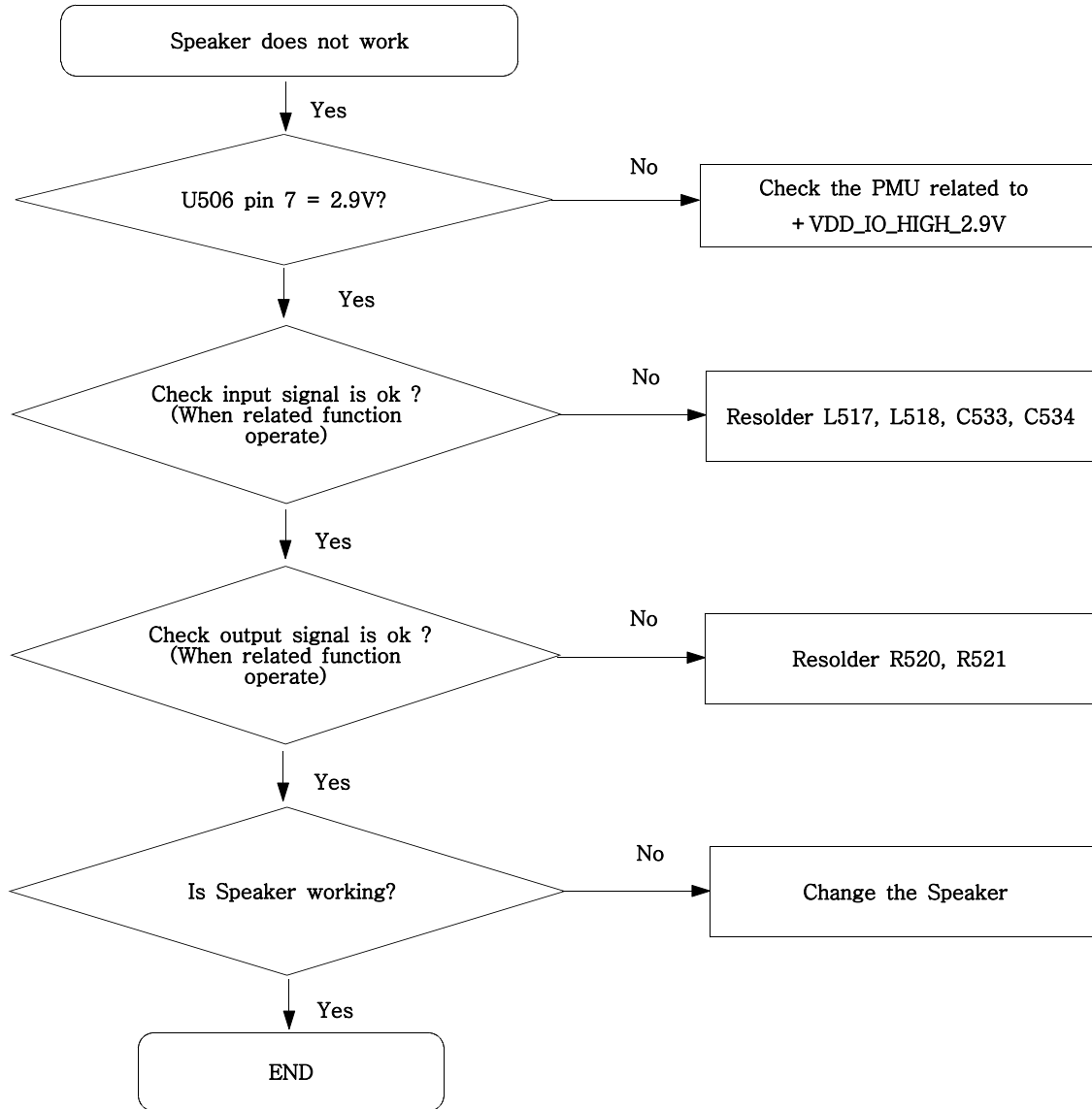
9-5. Microphone Part

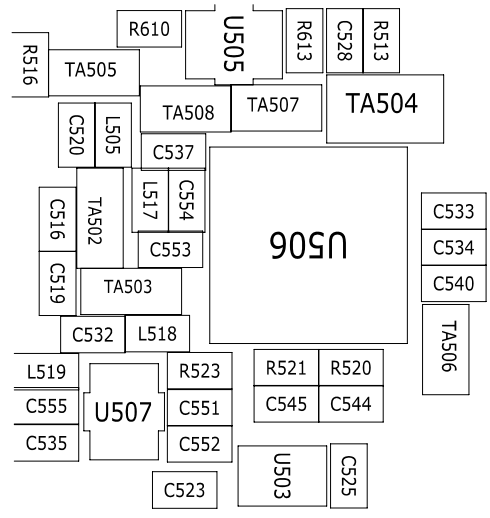
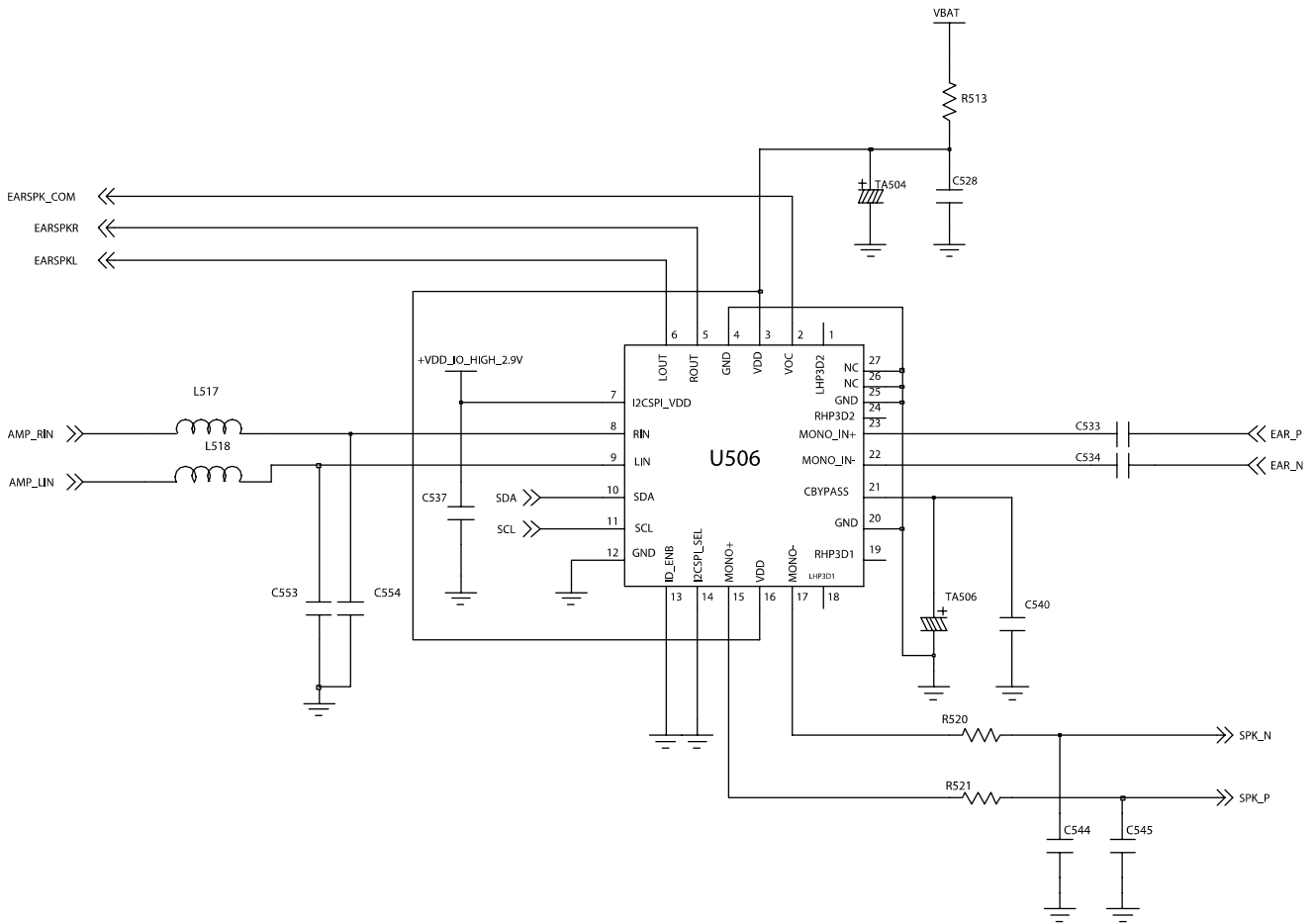


Flow Chart of Troubleshooting

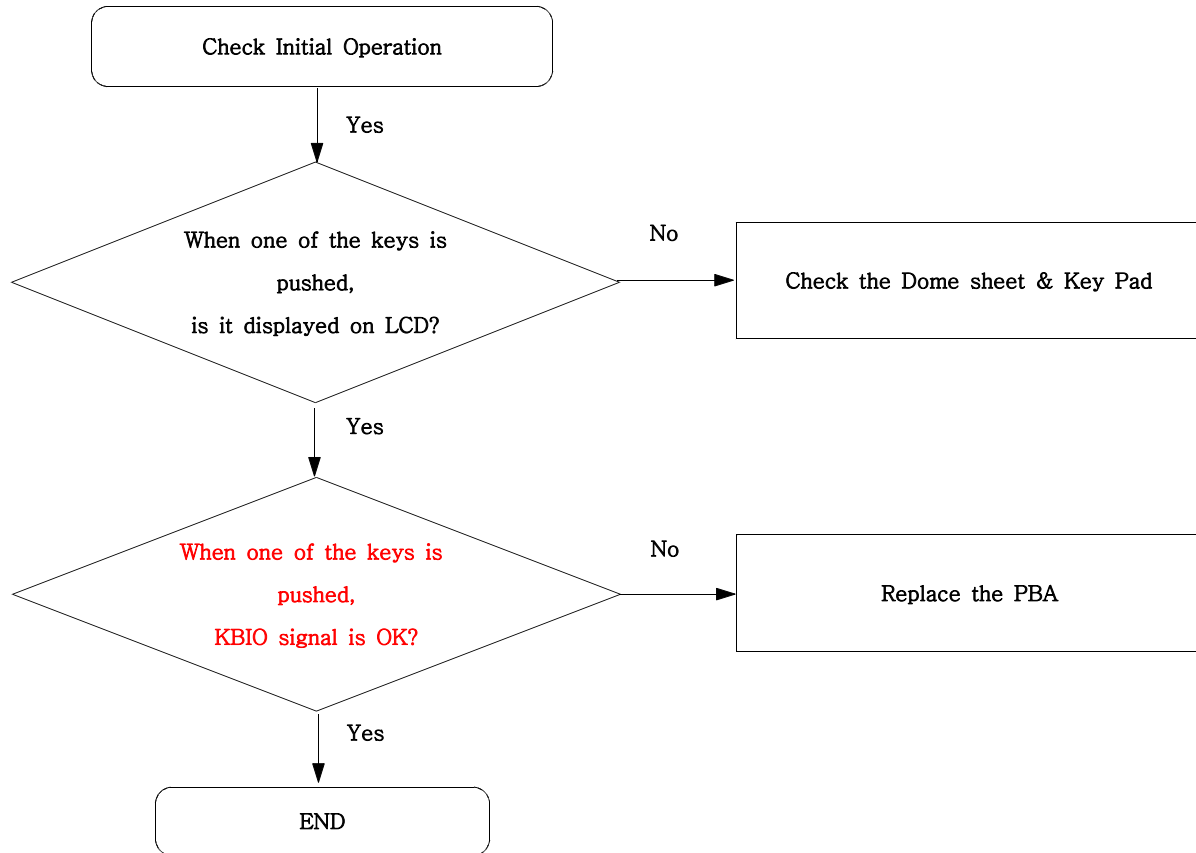


9-6. Speaker Part(Melody)

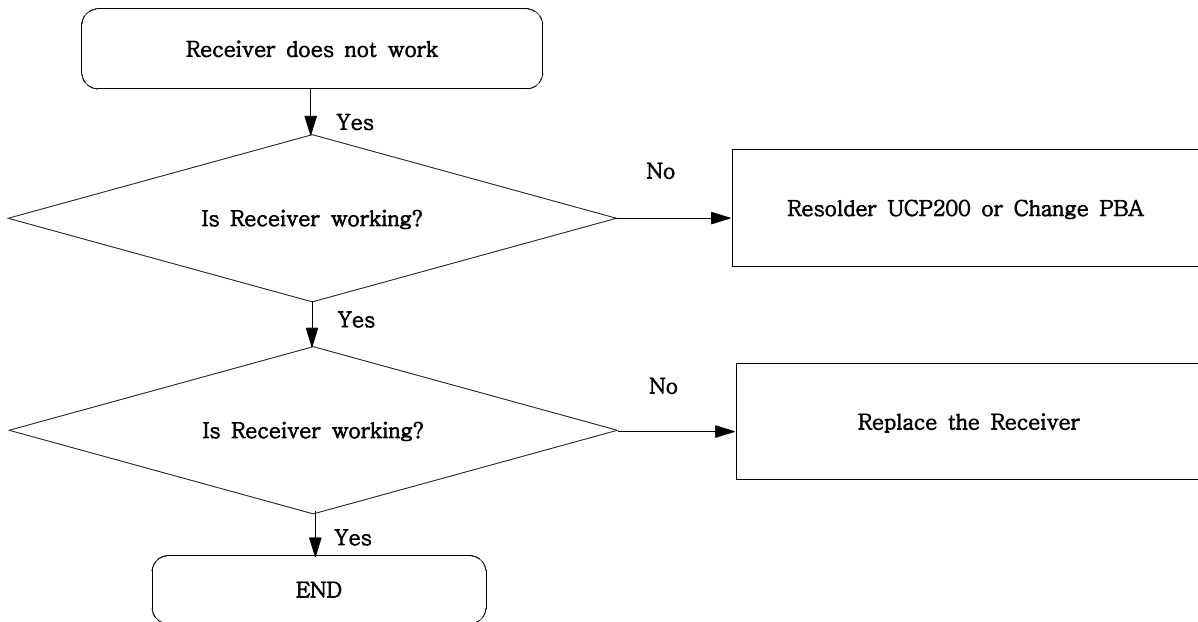




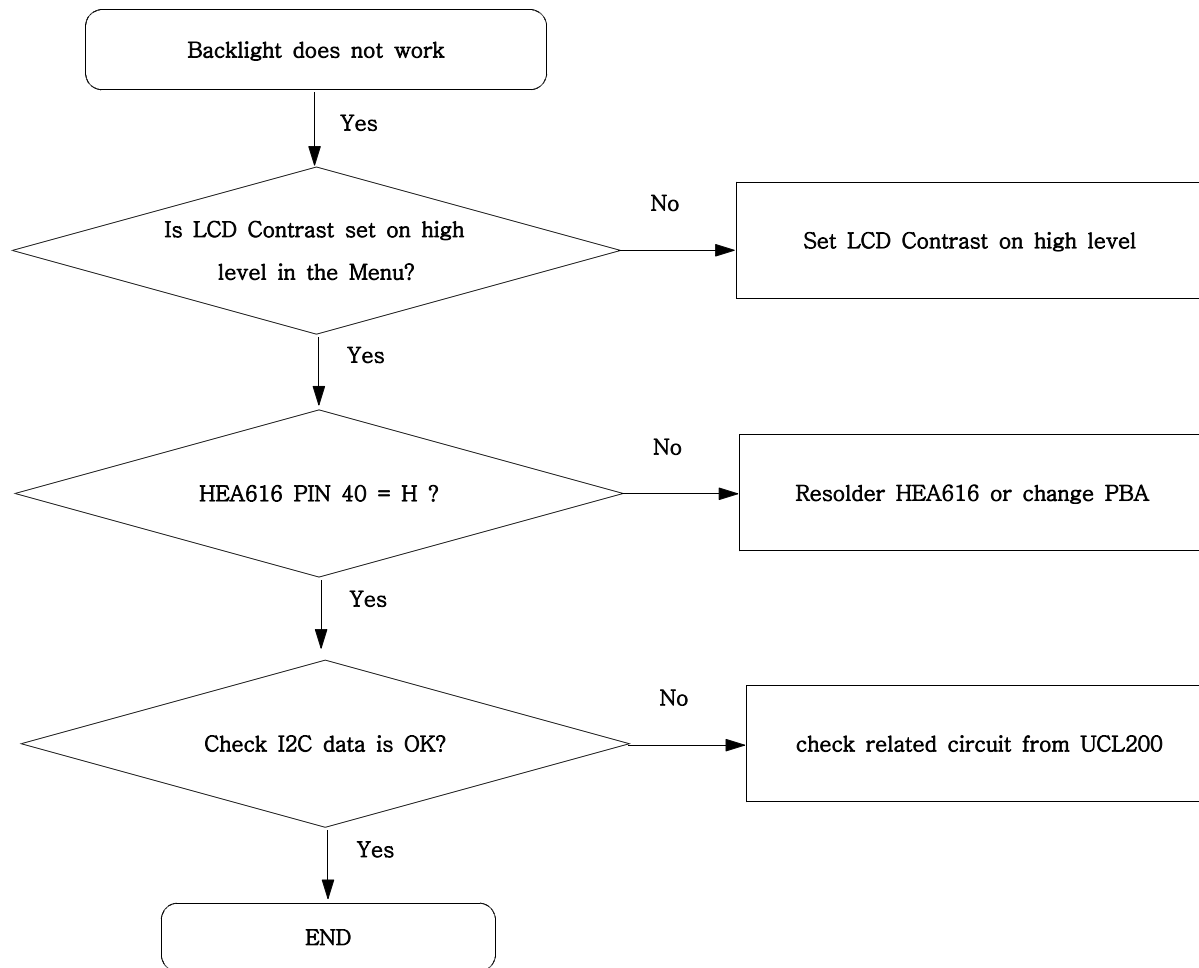
9-7. Key Data Input



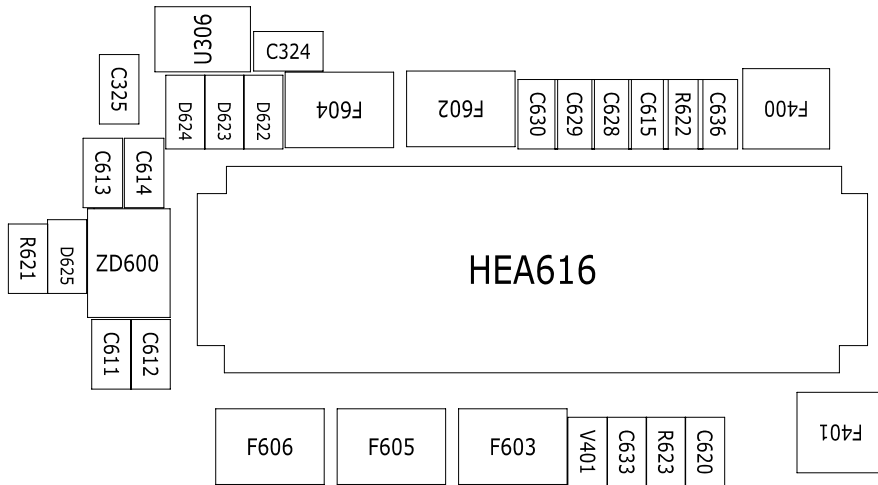
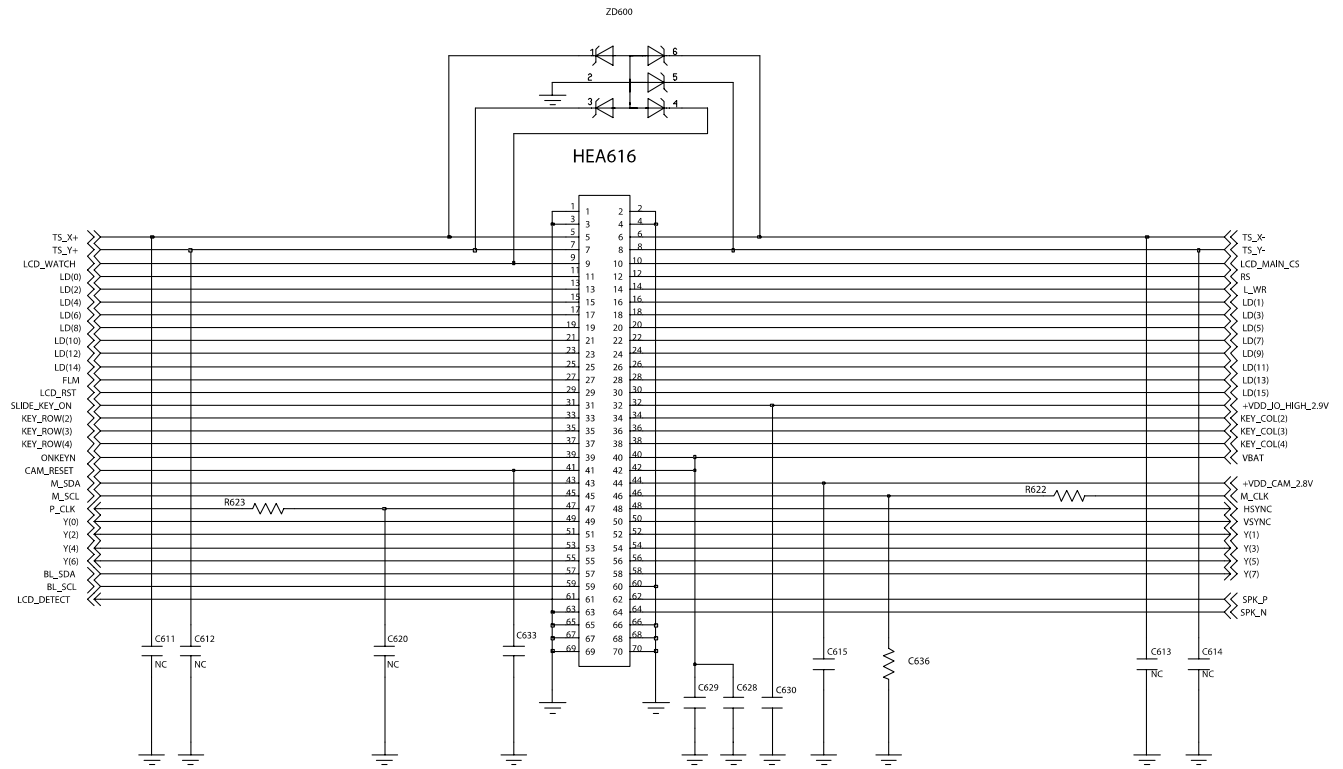
9-8. Receiver Part



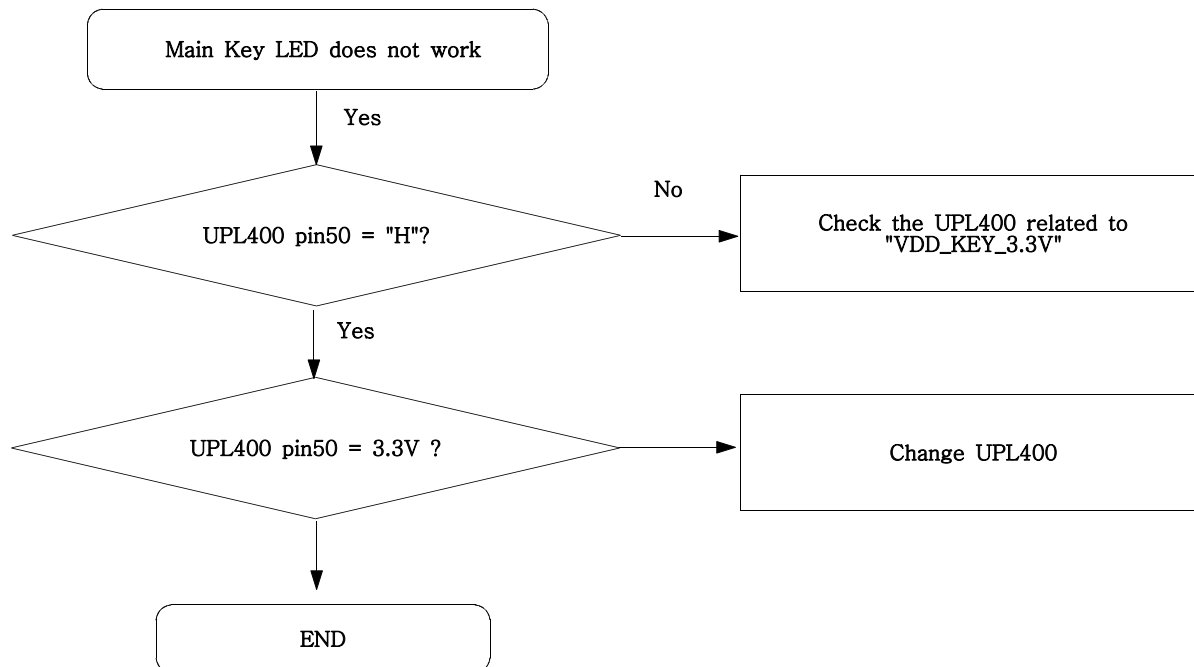
9-9. Back Light (for Color Main LCD)



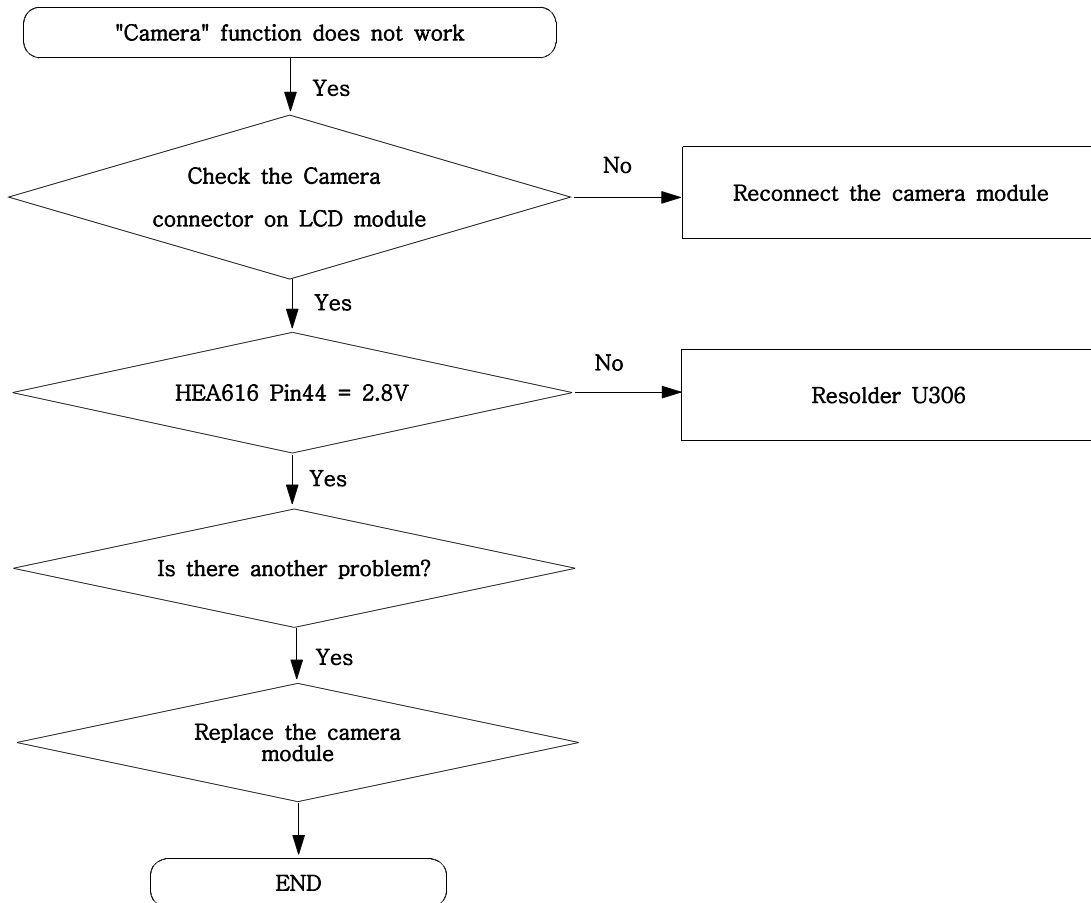
Flow Chart of Troubleshooting

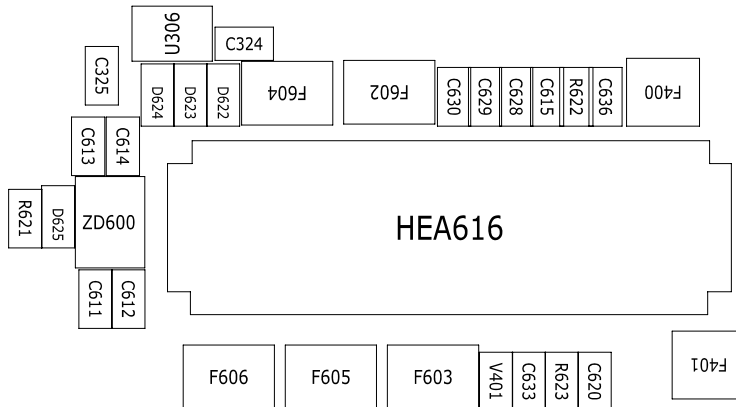
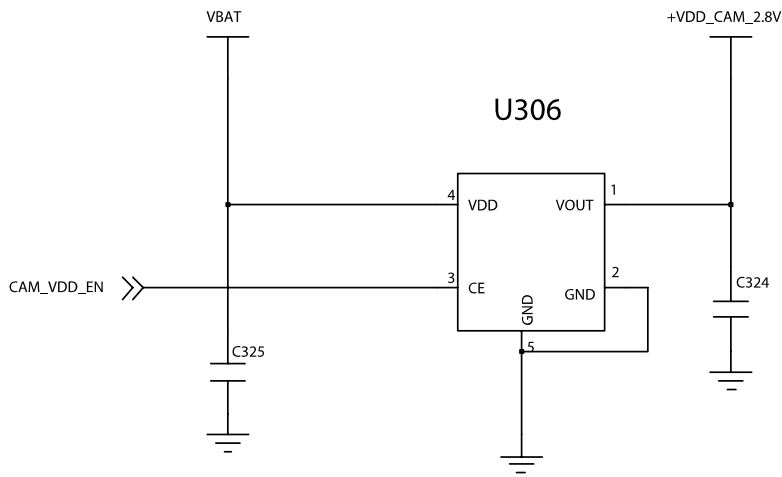
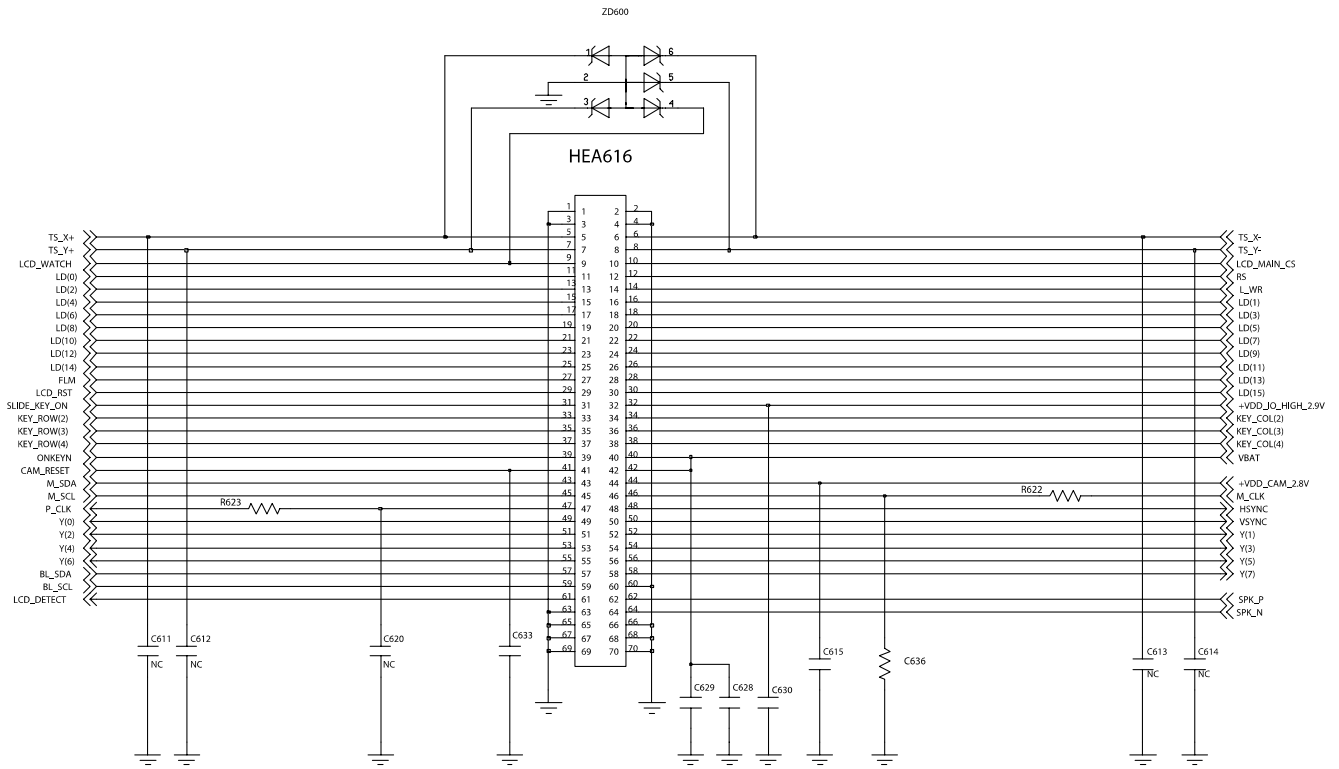


9-10. Key Back Light



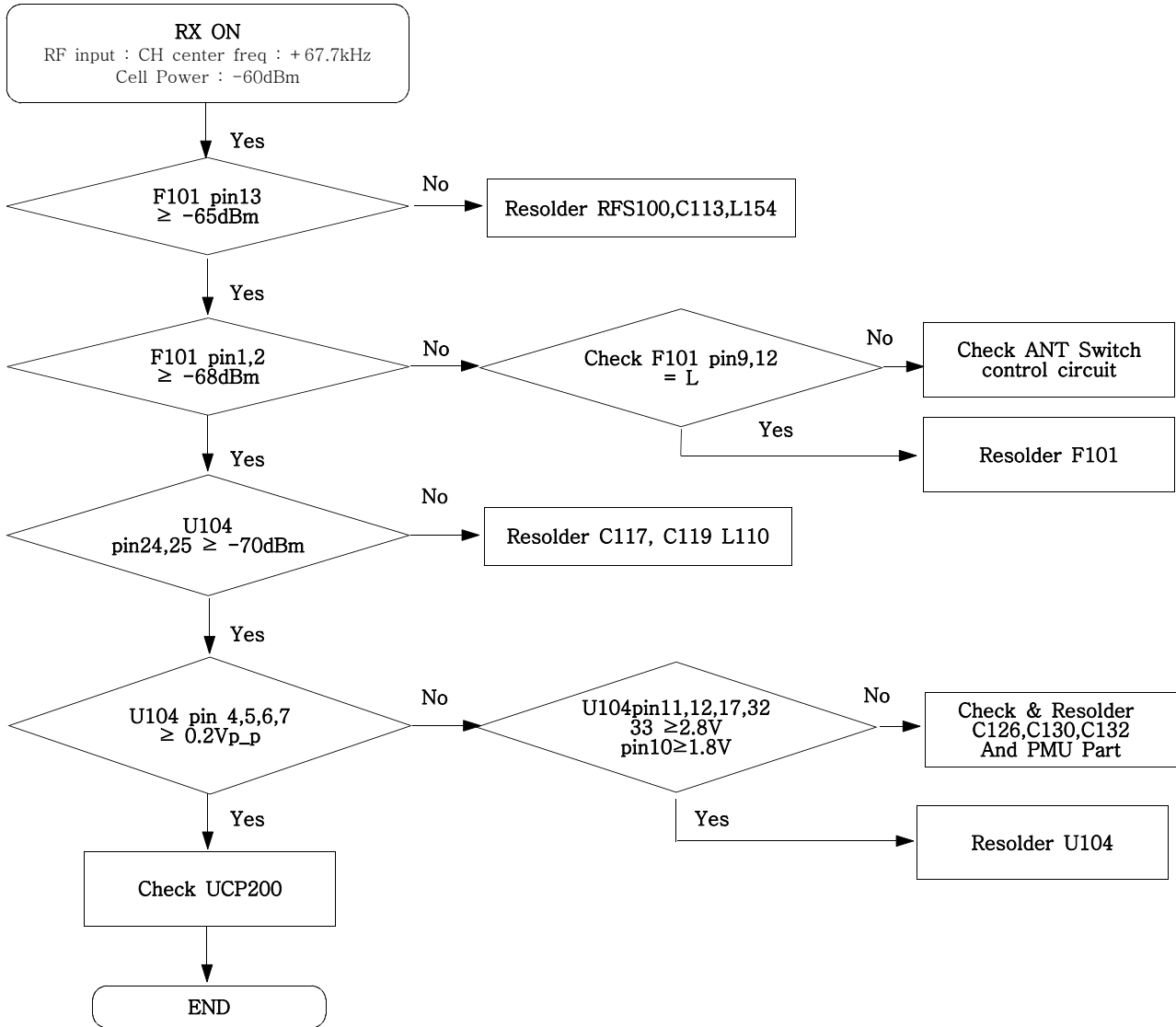
9-11. Camera part



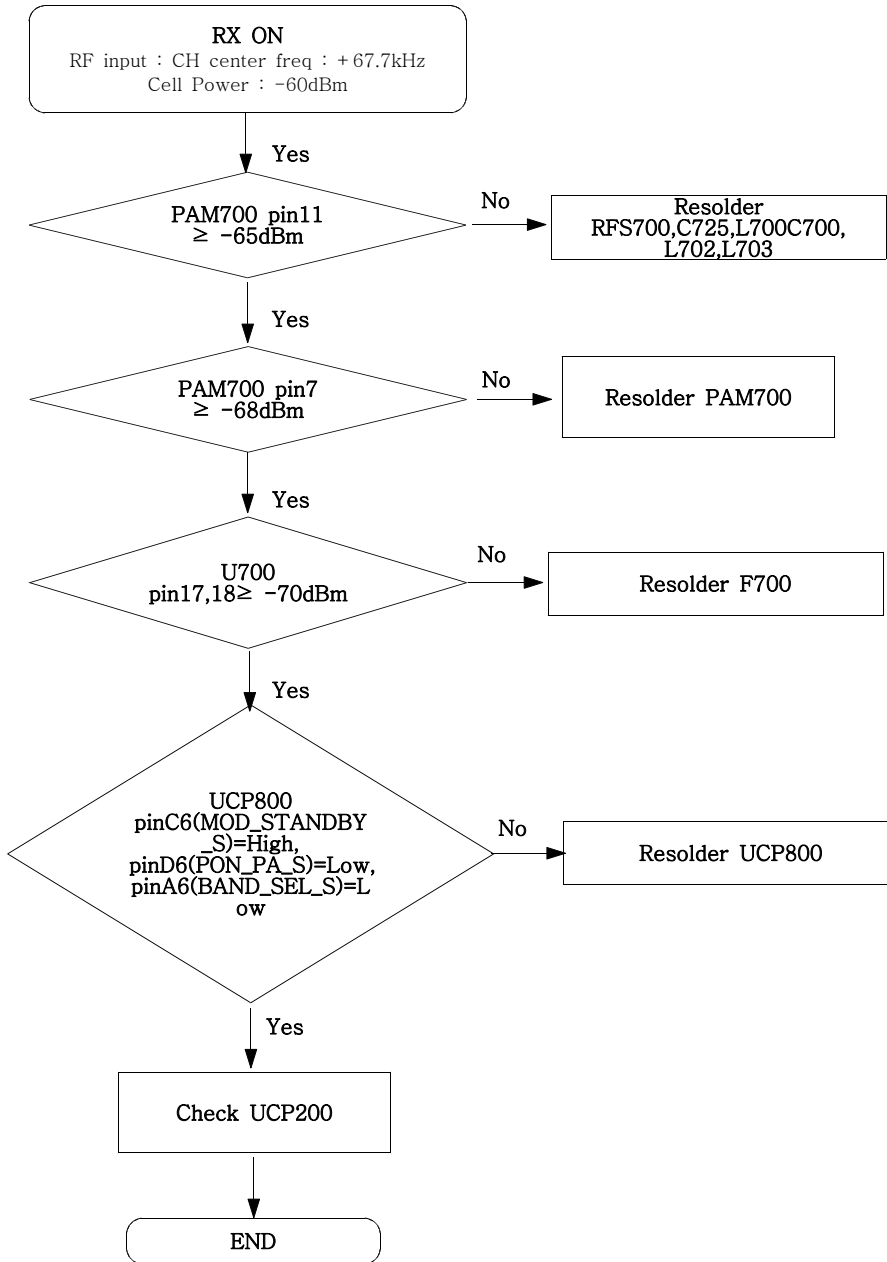


9-12. GSM Receiver

1) Master

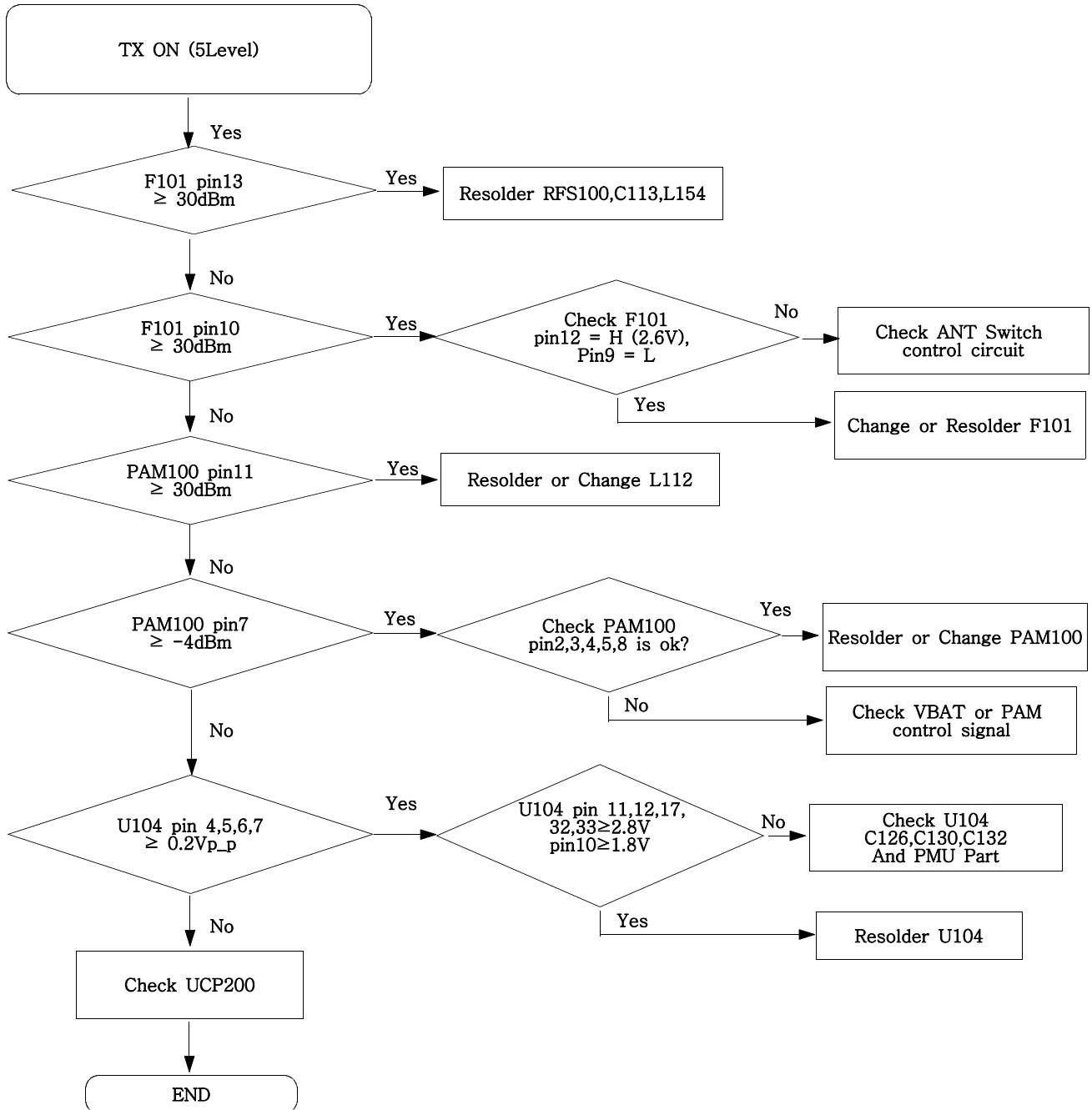


2)Slave

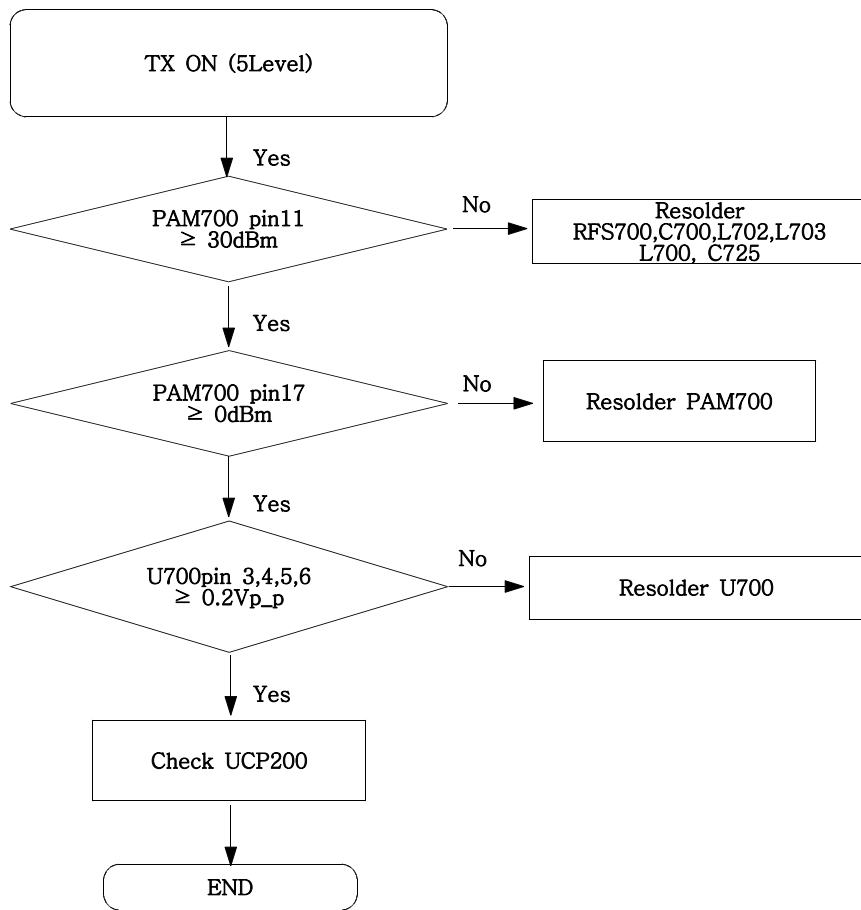


9-13. GSM Transmitter

1) Master

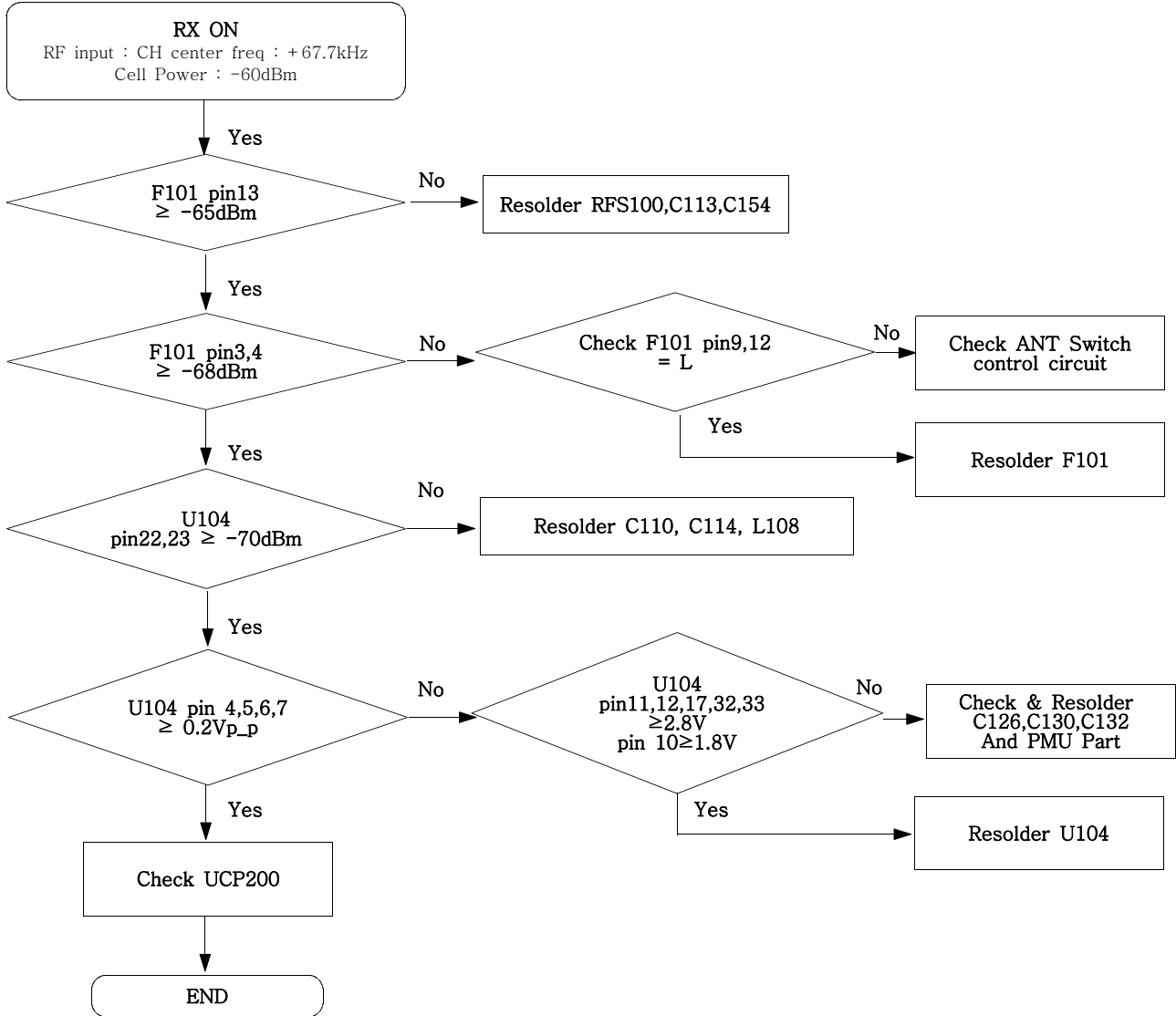


2)Slave

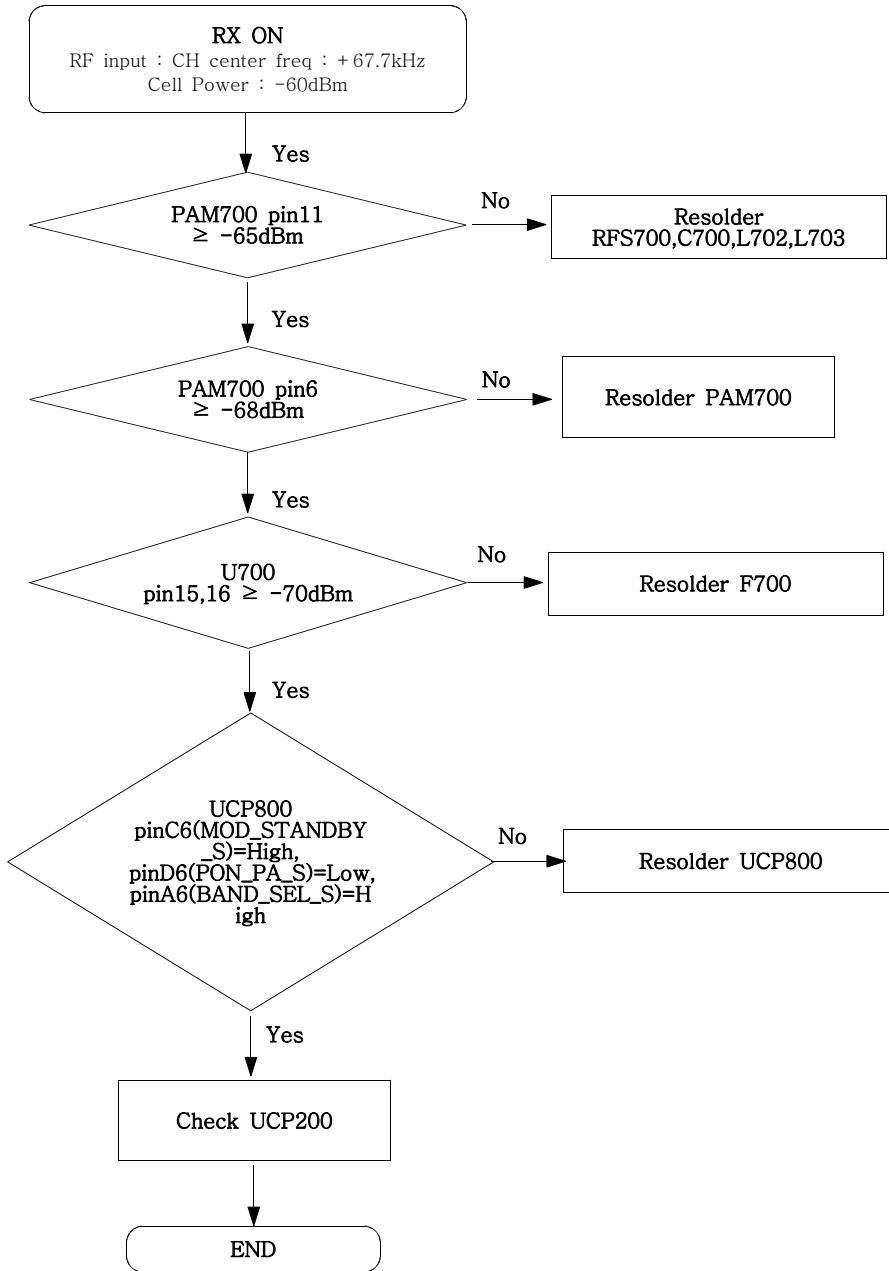


9-14. DCS Receiver

1) Master

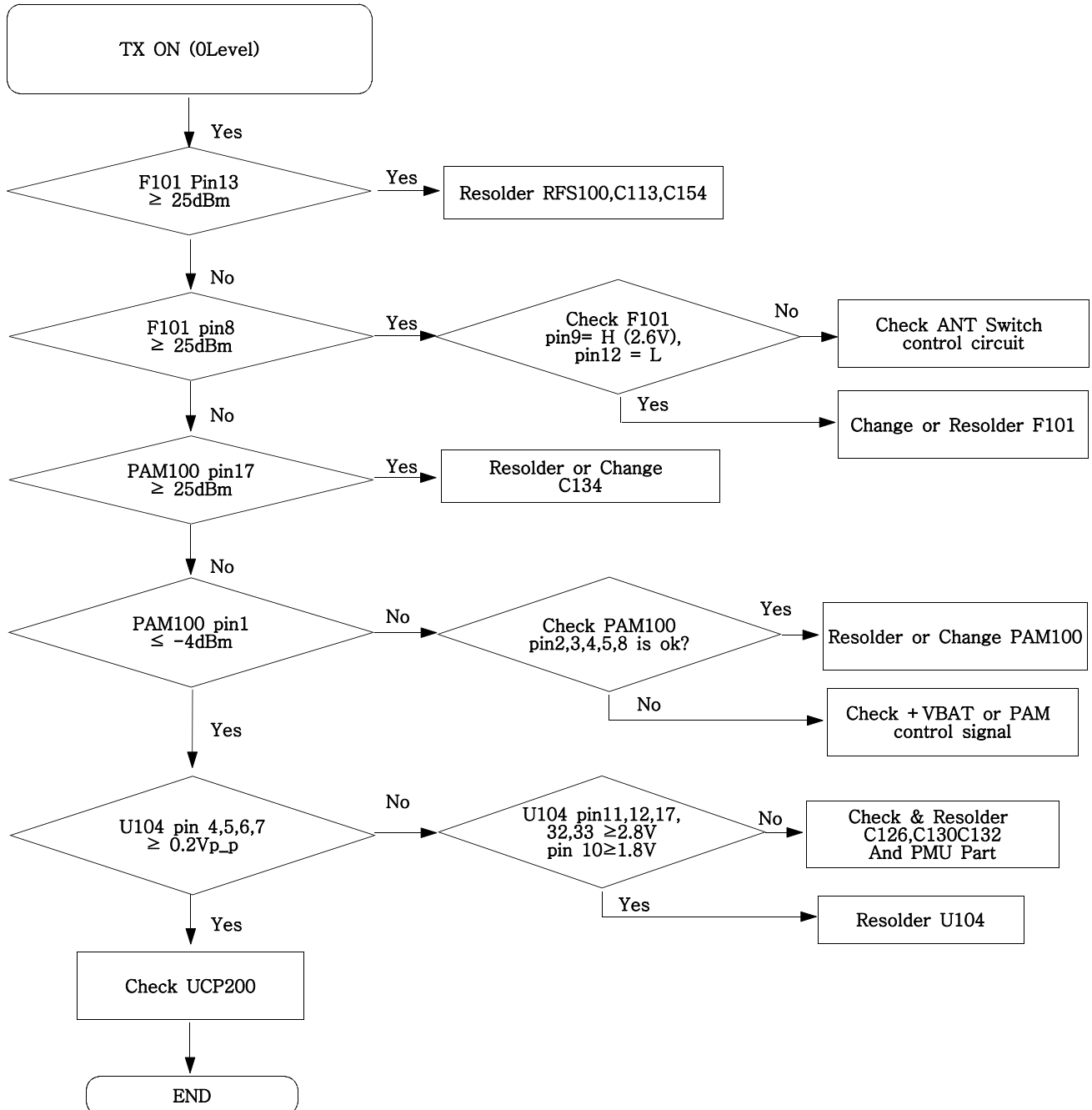


2)Slave

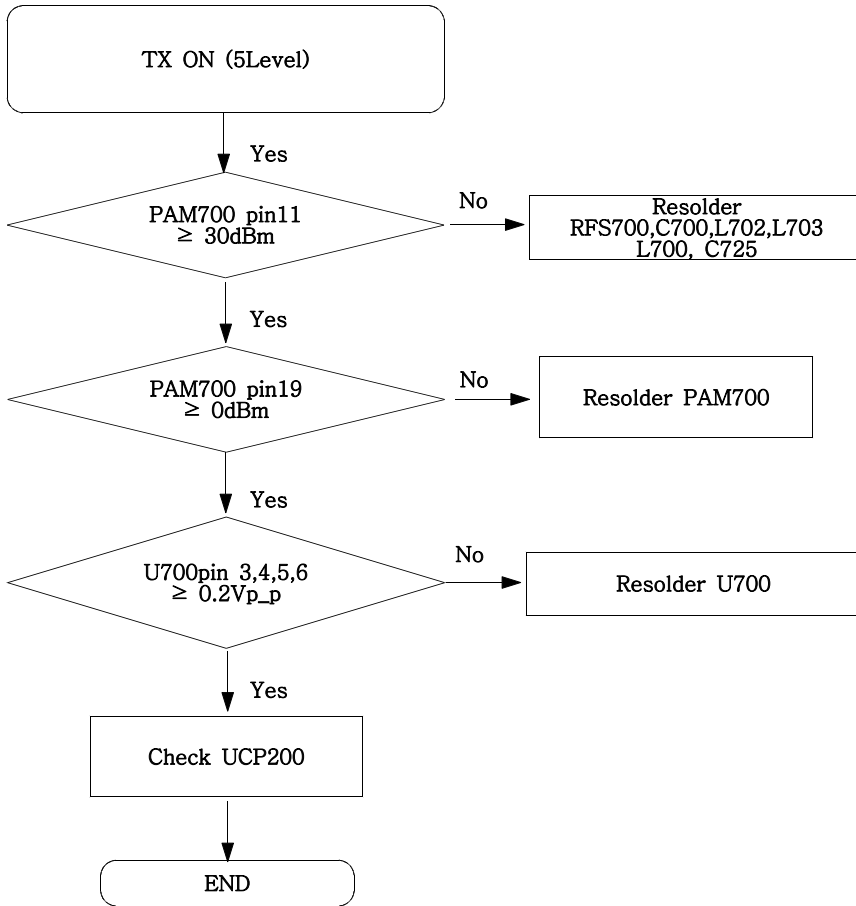


9-15. DCS Transmitter

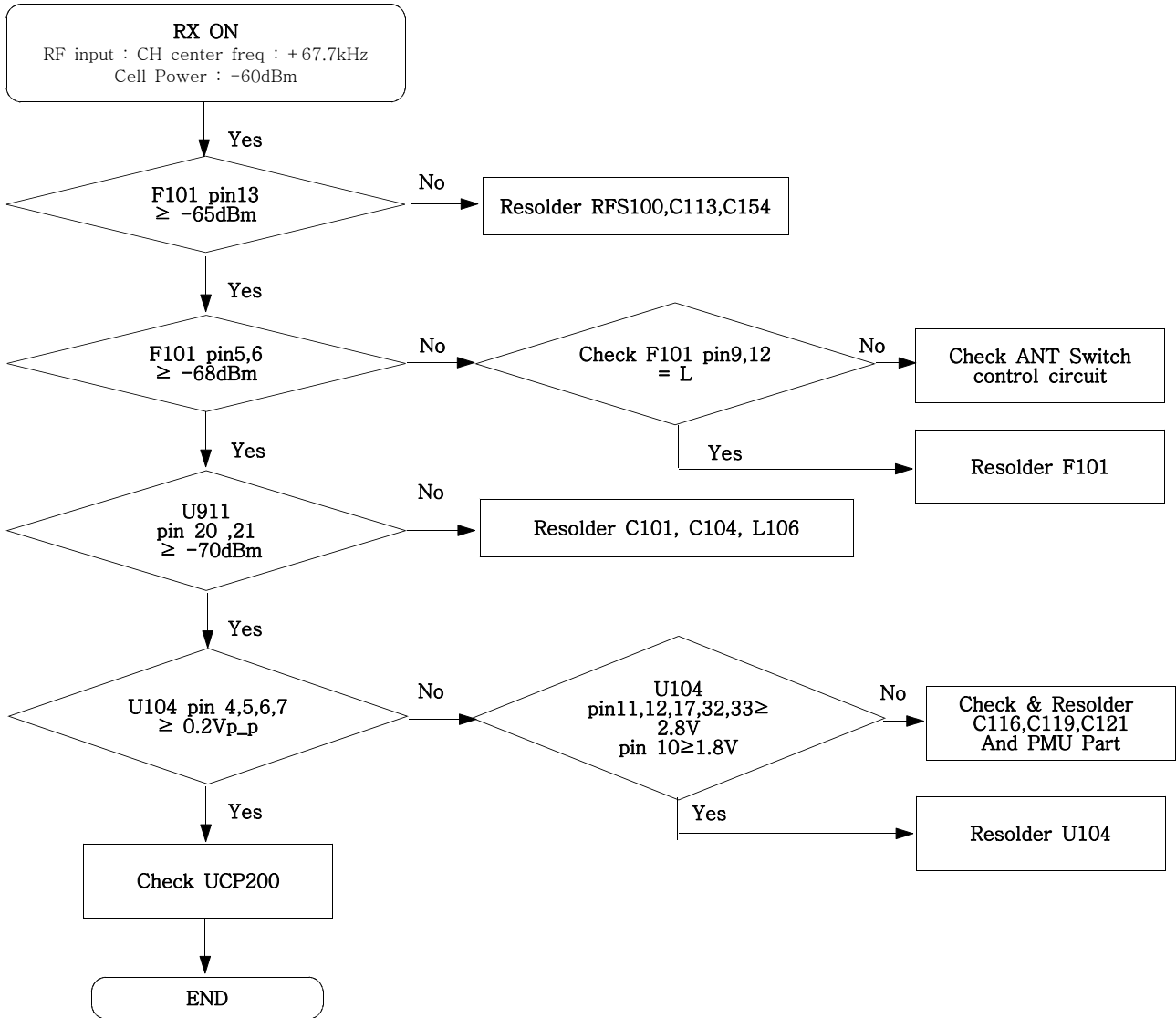
1) Master



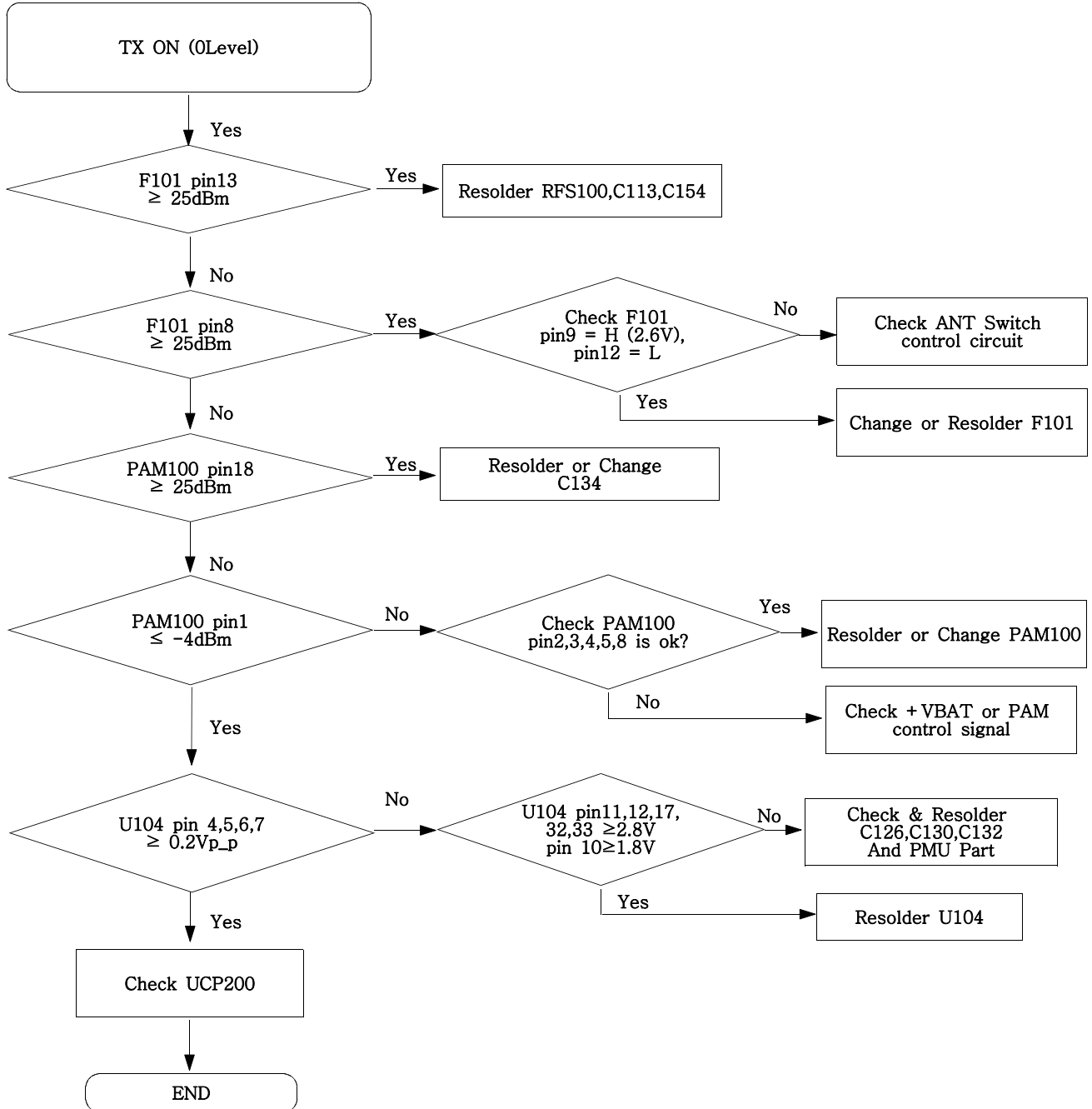
2)Slave



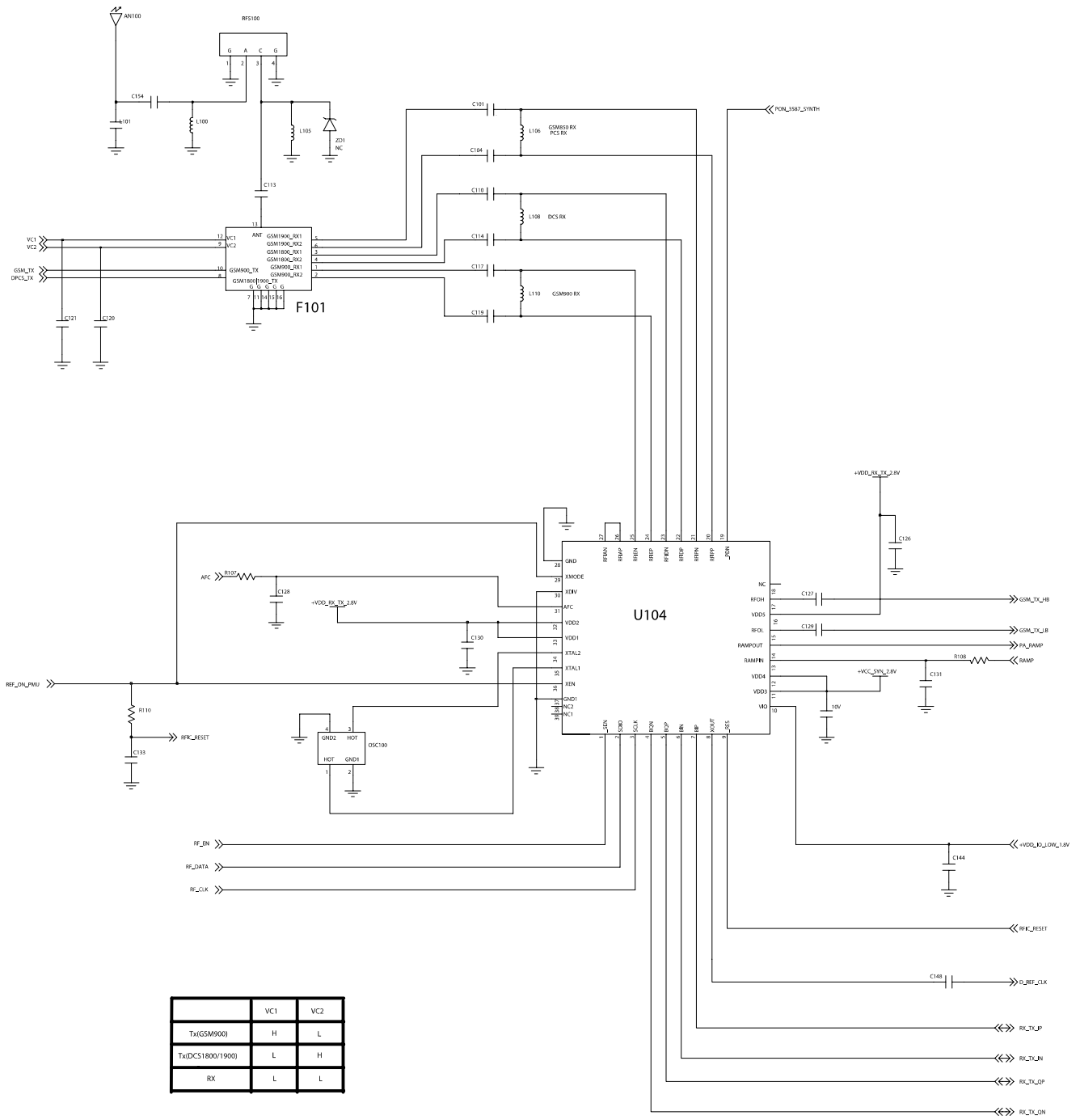
9-16. PCS Receiver

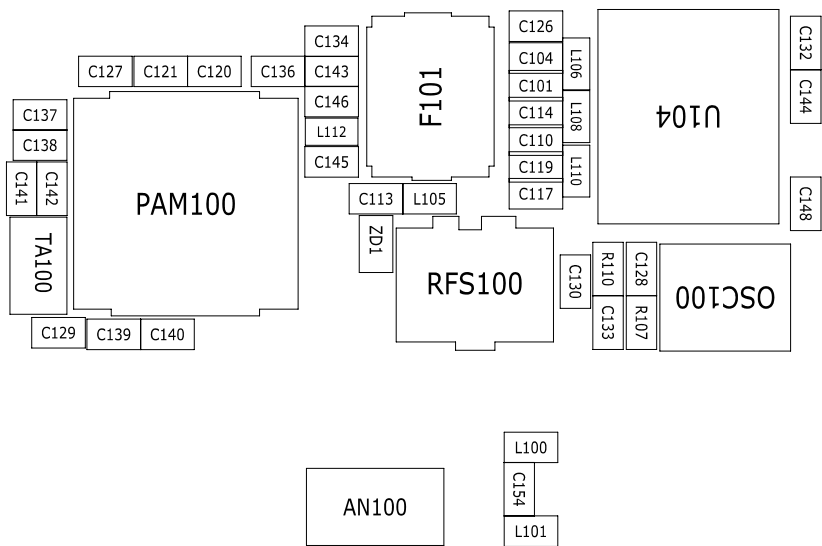
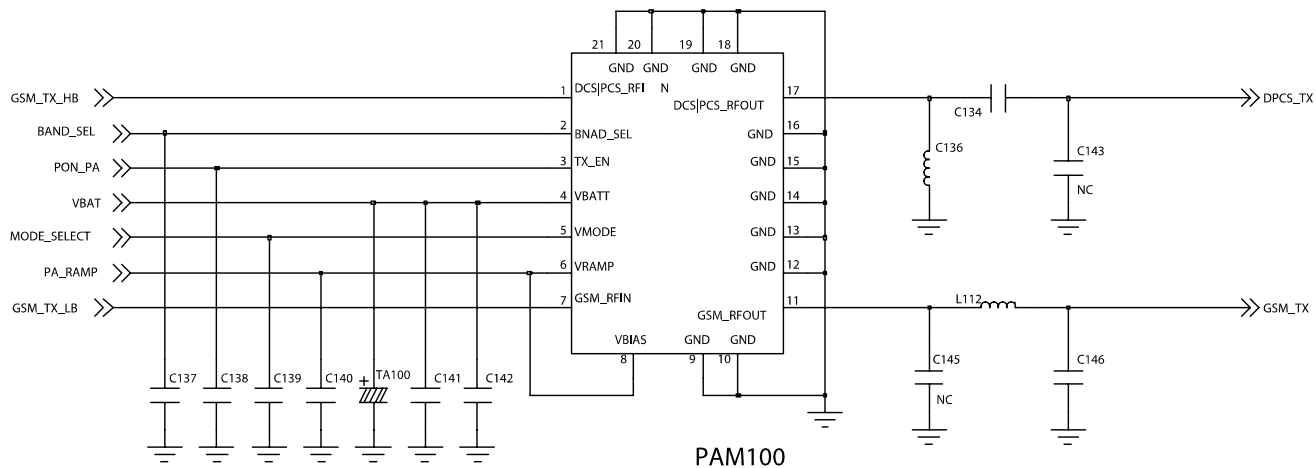


9-17. PCS Transmitter

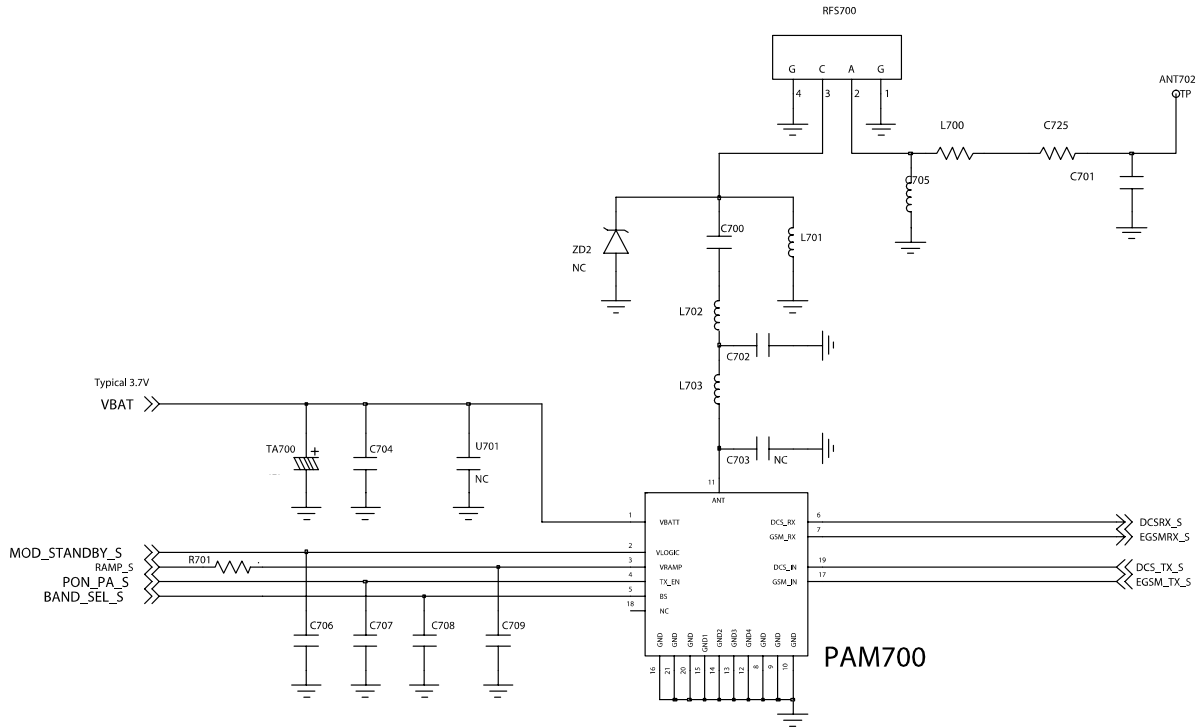


[Master]



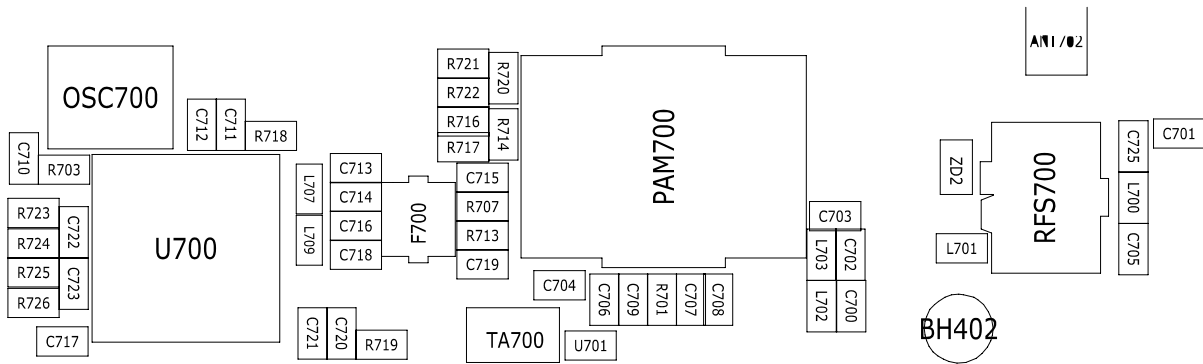
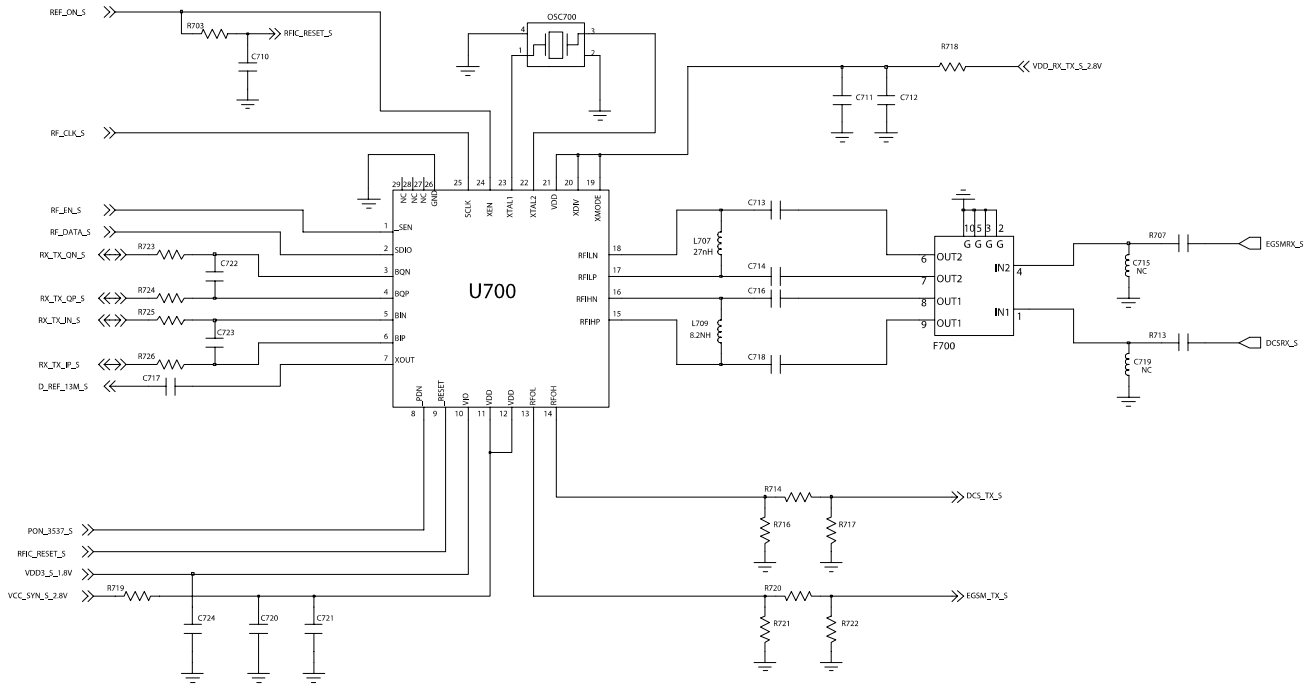


[Slave]

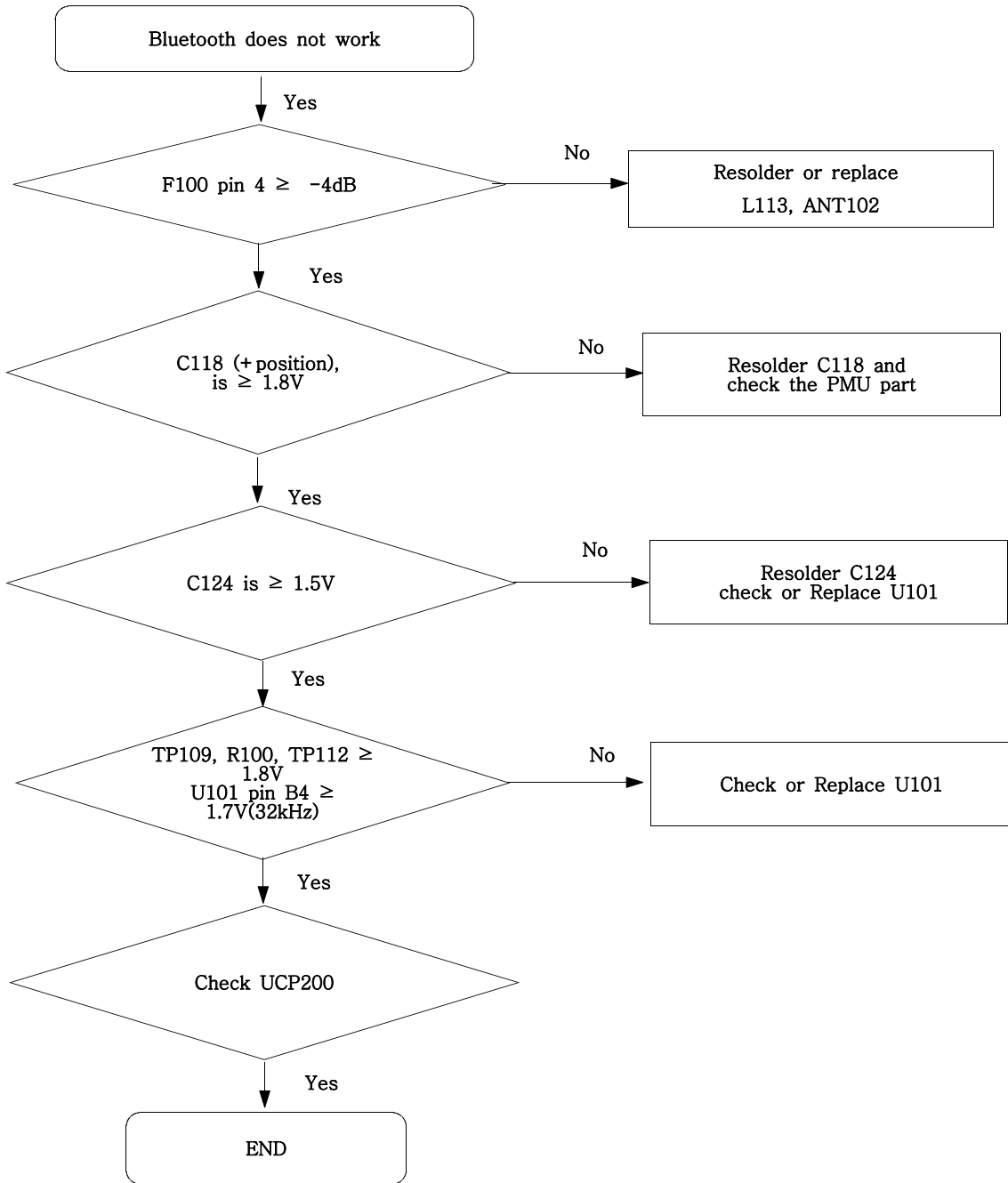


	MOD_STANDBY	PON_PA	BAND_SEL
STAND BY	L	-	-
GSM_RX	H	L	L
DCS_RX	H	L	H
GSM_TX	H	H	L
DCS_TX	H	H	H

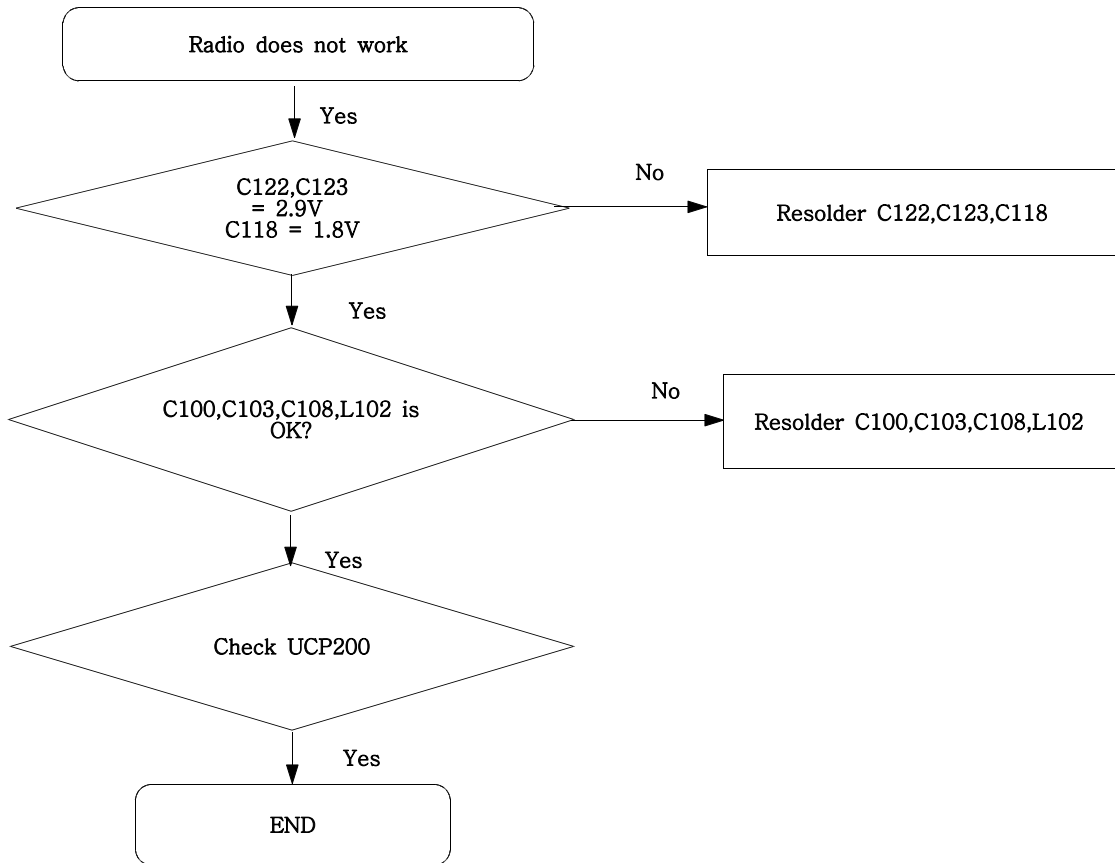
TX Module S/W Control Circuit

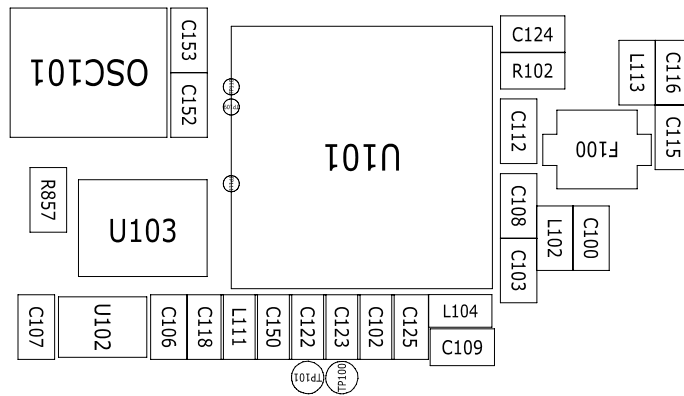
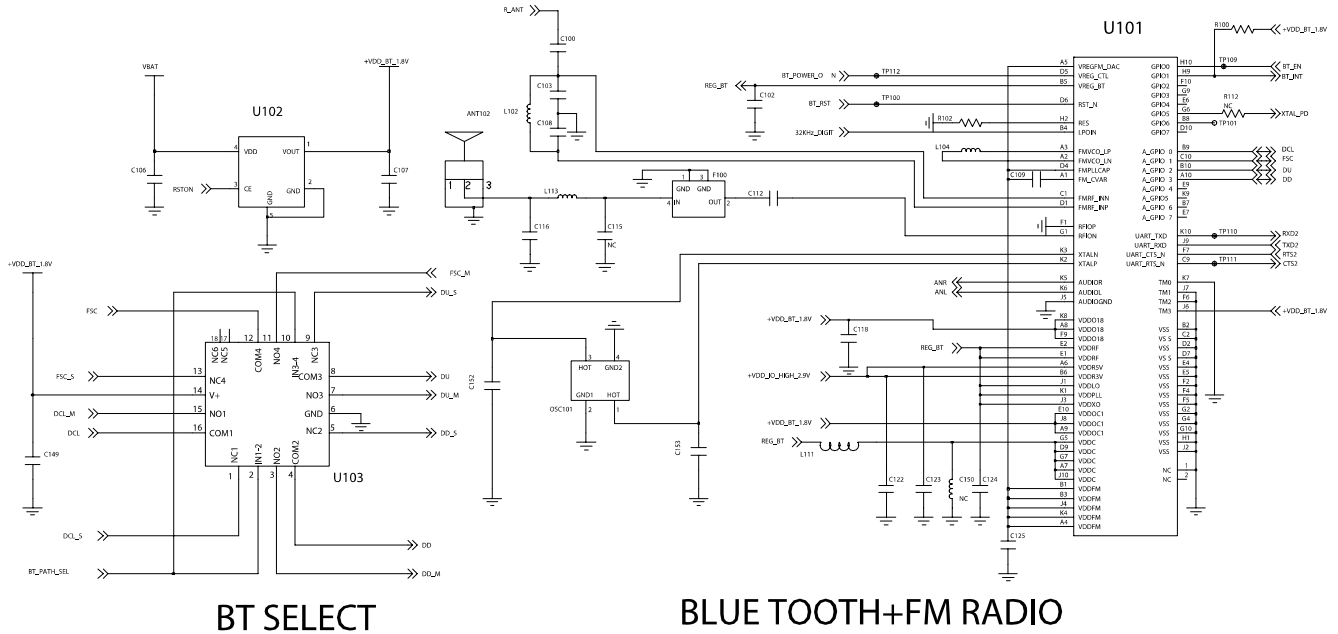


9-18. Bluetooth part



9-19. FM Radio part





10. Reference data

Reference Abbreviate

- **AAC**: Advanced Audio Coding.
- **AVC** : Advanced Video Coding.
- **BER** : Bit Error Rate
- **BPSK**: Binary Phase Shift Keying
- **CA** : Conditional Access
- **CDM** : Code Division Multiplexing
- **C/I** : Carrier to Interference
- **DMB** : Digital Multimedia Broadcasting
- **EN** : European Standard
- **ES** : Elementary Stream
- **ETSI**: European Telecommunications Standards Institute
- **MPEG**: Moving Picture Experts Group
- **PN** : Pseudo-random Noise
- **PS** : Pilot Symbol
- **QPSK**: Quadrature Phase Shift Keying
- **RS** : Reed-Solomon
- **SI** : Service Information
- **TDM** : Time Division Multiplexing
- **TS** : Transport Stream

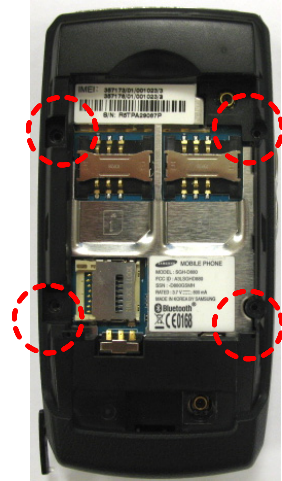
11. Disassembly and Assembly Instructions

11-1. Disassembly Instructions

1



2



1) Remove 4 screws of the Rear

1) Remove the Battery and two SIM card.

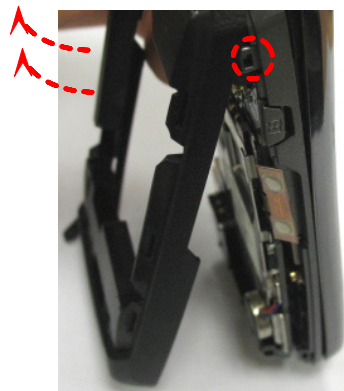
1) Don't scratch the surface of the handset.
Please pay attention.

3



1) Separate the Rear and the Front
with holding bottom of the Rear.

4

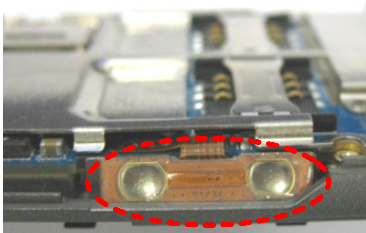
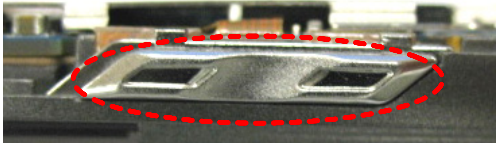


1) Separate the center hook and side both
hooks with holding the bottom of the Rear

1) Don't devote heavily the top of the Rear.

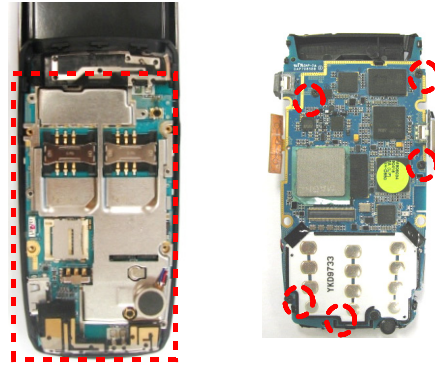
1) Be careful to break the center and both side Hooks.

5



- 1) Take off the Volume from the Front
- 2) Take off the Volume Key-FPCB from the Front

6

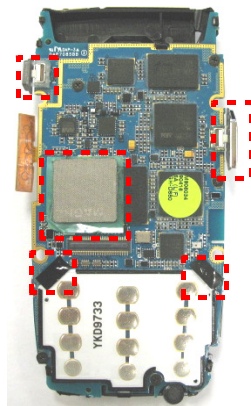
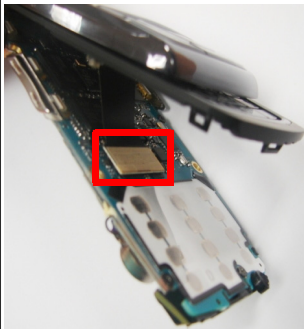


- 1) Take off the PBA from the Front.
- 2) Remove 5 screws of the PBA

1) Be careful to damage the FPCB.

1) Be careful to damage the FPCB.

7



- 1) Separate Slide-FPCB and the Main PBA.
- 2) Take off the shading tape from the PBA.
- 3) Separate camera and sim changing key

8

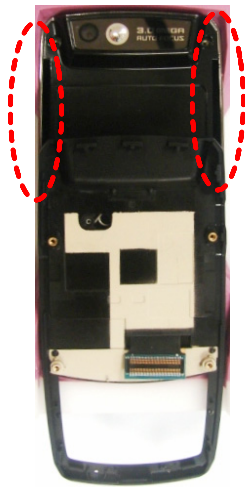


- 1) Remove 2 screwcaps of the lower.
- 1) Remove 4 screws of the Front.

1) Be careful to damage the SLIDE FPCB.
2) Be careful to damage the DOME SHEET.

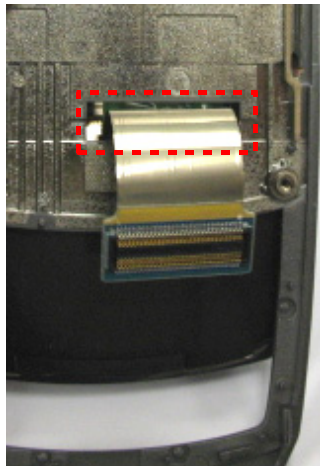
1) Don't scratch the surface of the handset.
Please pay attention.

9



1) Separate the UPPER and LOWER with pushing the UPPER ahead.

10



1) Pass through the F-PCB

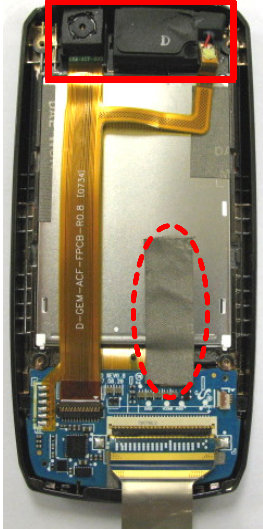
1) Be careful to damage the Hooks of the Front.
1) Be careful to damage the S-FPCB
2) Pass through the S-FPCB with closing the Slide.

11



1) Remove the green tape

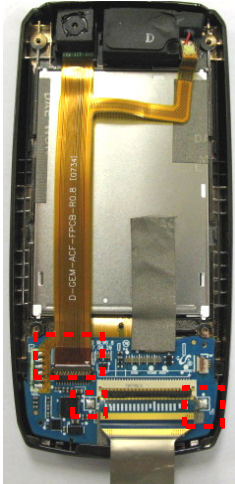
12



1) Separate the camera and apeaker
2) Remove the Conductive tape

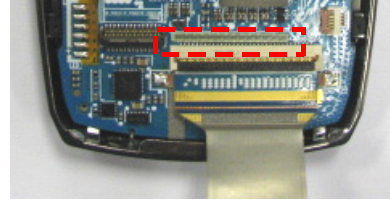
1) Don't scratch the surface of the handset. Please pay attention.
1) Don't scratch the surface of the handset. Please pay attention.

13



- 1) Separate the Camera-FPCB from connector with opening the Actuator.
- 2) Desloder 2point and Separate the LCD-FPCB from connector with opening the Actuator.

14

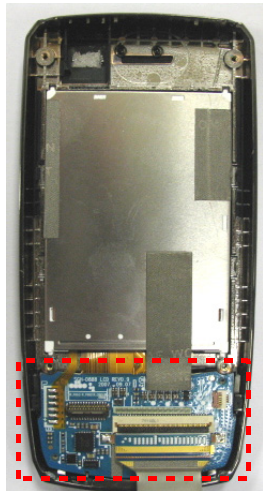


- 1) Remove the insulating tape from the SUB PBA

- 1) Don't scratch the surface of the handset. Please pay attention.

- 1) Be careful to damage the Sub PCB-FPCB.

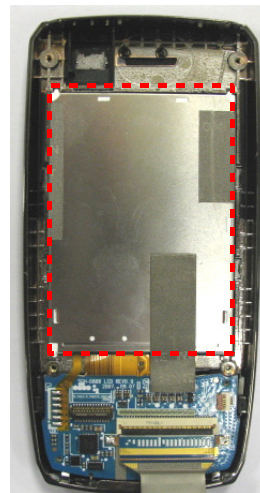
15



- 1) Separate the SUB PBA from the Upper.

- 1) Be careful to damage the Sub PCB Connector.

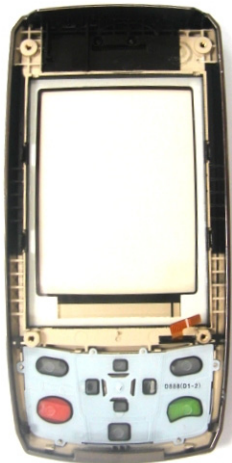
16



- 1) Separate the LCD from the Upper.

- 1) Be careful to damage the Speaker and wire.

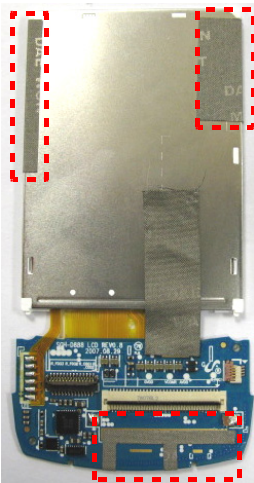
17



1) Separate the NAVY KEYPAD from the Upper.

1) Be careful to damage the Camera and FPCB.

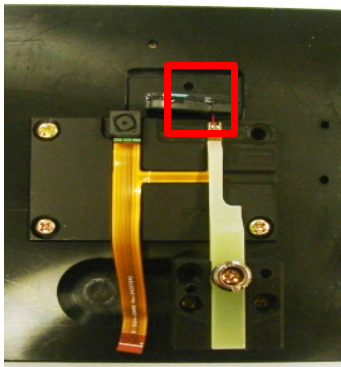
18



1) Remove the Conductive three tapes

1) Be careful to damage the S-FPCB.

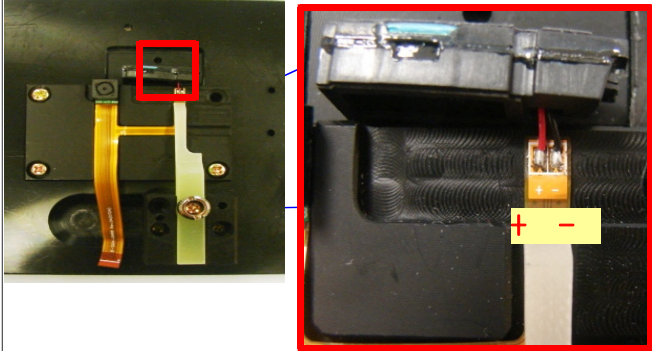
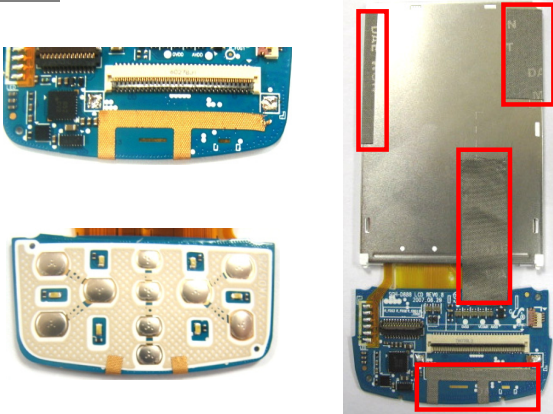
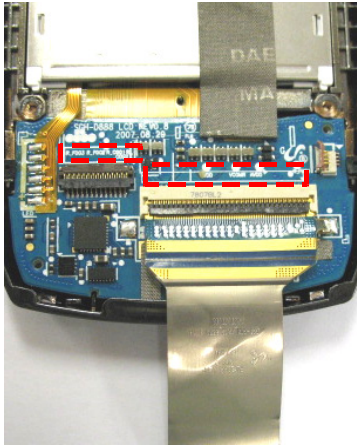
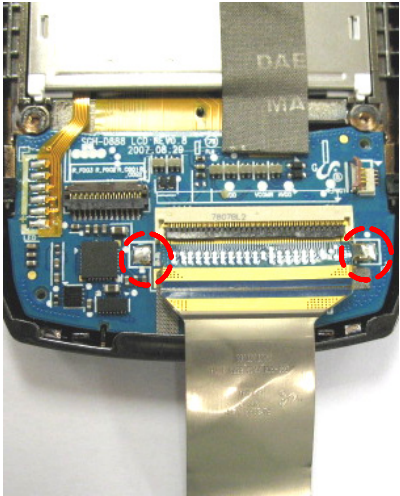
19



1) Desolder speaker wire and separate it

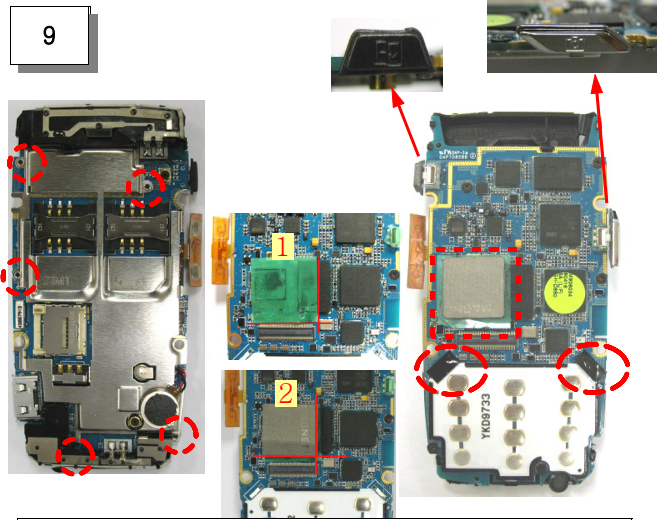
1) Be careful to damage the Sub PCB-FPCB.

11-2. Assembly Instructions

<p>1</p>  <p>1) Solder the wire of the Speaker and Bond it.</p>	<p>2</p>  <p>1) Attach four conducting tape on the Actuators</p>
<p>1) Solder with paying attention to the polarity. 2) Bond with paying attention to the base line of the bond.</p>	<p>1) Be careful to damage the Camera and Sub PCB-FPCB</p>
<p>3</p>  <p>1) Attach fixing tape and Insulating tape</p>	<p>4</p>  <p>1) Insert LCD F-PCB and Solder two point</p>
<p>1) Be careful to damage the S-FPCB</p>	<p>1) Pay attention to the base line.</p>

<div data-bbox="162 199 235 262" style="border: 1px solid black; padding: 2px; width: 40px; text-align: center; margin-bottom: 10px;">5</div> <div data-bbox="560 220 820 262" style="border: 1px solid red; padding: 2px; text-align: center; margin-bottom: 10px;">Keep in order the wire</div> <div data-bbox="219 304 722 724"> </div> <div data-bbox="178 756 803 840" style="border: 1px solid black; padding: 5px;"> <p>1) place navy keypad 2) insert lcd pannel to upper and place the Subpba</p> </div>	<div data-bbox="836 199 909 262" style="border: 1px solid black; padding: 2px; width: 40px; text-align: center; margin-bottom: 10px;">6</div> <div data-bbox="933 189 1193 231" style="border: 1px solid red; padding: 2px; text-align: center; margin-bottom: 10px;">Keep in order the wire</div> <div data-bbox="917 241 1453 682"> </div> <div data-bbox="828 682 1453 850" style="border: 1px solid black; padding: 5px;"> <p>1) Remove the fixing tape cover and insert camera FPCB 2) Place camera and apeaker 3) Attach a insulation tape</p> </div>
<p>1) Arrange subpba orderly</p>	<p>1) Be careful to damage the Speaker wires.</p>
<div data-bbox="170 1060 243 1123" style="border: 1px solid black; padding: 2px; width: 40px; text-align: center; margin-bottom: 10px;">7</div> <div data-bbox="194 1186 730 1522"> </div> <div data-bbox="178 1533 787 1701" style="border: 1px solid black; padding: 5px;"> <p>1) Pass through the FPCB into hole of lower and front with closing slide 2) Assemble the lower and front with upper orderly</p> </div>	<div data-bbox="836 1060 909 1123" style="border: 1px solid black; padding: 2px; width: 40px; text-align: center; margin-bottom: 10px;">8</div> <div data-bbox="844 1134 1437 1575"> </div> <div data-bbox="844 1606 1437 1701" style="border: 1px solid black; padding: 5px;"> <p>1) Tighten 4 screws on the Lower orderly. 2) Attach 2 screw caps on the top of the Lower .</p> </div>
<p>1) Don't scratch the surface of the handset. Please pay attention.</p>	<p>1) Don't scratch the surface of the handset. Please pay attention.</p>

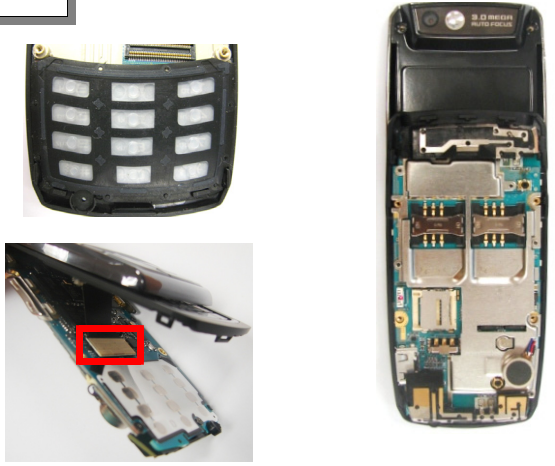
9



- 1) Tighten 4 screws on pba
- 2) Attache the shading tape, insulation, conduction tape on the Main PBA
- 3) Assemble camera and sim changing key

1) Don't scratch the surface of the handset. Please pay attention.

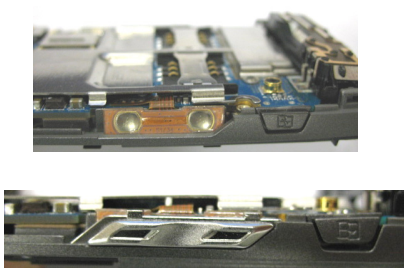
10



- 1) Place a keypad
- 2) Insert S-FPCB on the Main PBA Connector.
- 3) Insert main pba to front orderly

1) Be careful to damage the S-FPCB.

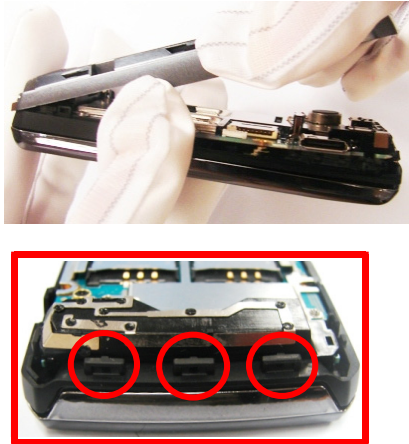
11



- 1) Attach the Volume key FPCB with fixing tape
- 2) Insert the Volume key to guide holes.

1) Pay attention to the direction.


12



- 1) Put in the Rear on the Fornt from Top to bottom clockwise.

1) Pay attention to gap.

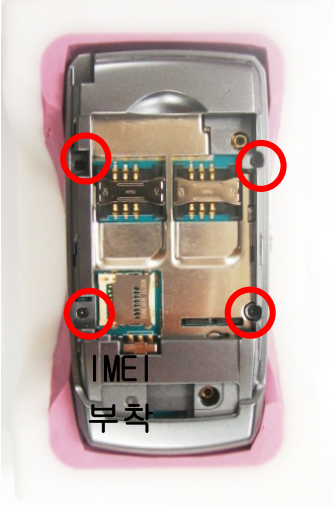
13



1) Push the rear from upside to downside

1) Don't scratch the surface of the handset.
Please pay attention.

14



1) Tighten 4 Screws of the Rear orderly.

1) Don't scratch the surface of the handset.
Please pay attention.

12. Schematic Diagram

- NC Point(Top View)

● : NC

UCP200

	1	2	3	4	5	6	7	8	9	10	11	12	13	14	15	16	17	18
A	●	○	○	○	○	○	○	○	○	○	○	●	○	●	○	○	○	●
B	○	○	○	○	○	○	○	○	○	○	○	●	●	●	●	○	○	○
C	○	○	○	○	○	○	○	○	○	○	○	○	○	○	○	○	○	○
D	○	○	○	○	○	○	○	○	○	○	○	○	○	○	○	○	○	○
E	○	○	○	○	○	○	○	○	○	○	○	○	○	○	○	○	○	○
F	○	○	○	○	○	○	○	○	○	○	○	○	○	○	○	○	○	○
G	○	○	○	○	○	○	○	○	○	○	○	○	○	○	○	○	○	○
H	○	○	○	○	○	○	○	○	○	○	○	○	○	○	○	○	○	○
J	○	○	○	○	○	○	○	○	○	○	○	○	○	○	○	○	○	○
K	○	○	○	○	○	○	○	○	○	○	○	○	○	○	○	○	○	○
L	○	○	○	○	○	○	○	○	○	○	○	○	○	○	○	○	○	○
M	○	○	○	○	○	○	○	○	○	○	○	○	○	○	○	○	○	○
N	○	○	○	○	○	○	○	○	○	○	○	○	○	○	○	○	○	○
P	○	○	○	○	○	○	○	○	○	○	○	○	○	○	○	○	○	○
R	○	○	○	○	○	○	○	○	○	○	○	○	○	○	○	○	○	○
T	○	○	○	○	○	○	○	○	○	○	○	○	○	○	○	○	○	○
U	○	○	○	○	○	○	○	○	○	○	○	○	○	○	○	○	○	○
V	○	○	○	○	○	○	○	○	○	○	○	○	○	○	○	○	○	○

UME300

	1	2	3	4	5	6	7	8	9	10	11	12
A	●	●	●	○	○	○	○	○	○	○	○	○
B	●	●	●	○	○	○	○	○	○	○	○	○
C	●	○	○	○	○	○	○	○	○	○	○	○
D	●	○	○	○	○	○	○	○	○	○	○	○
E	●	○	○	○	○	○	○	○	○	○	○	○
F	●	○	○	○	○	○	○	○	○	○	○	○
G	●	○	○	○	○	○	○	○	○	○	○	○
H	●	○	○	○	○	○	○	○	○	○	○	○
J	●	○	○	○	○	○	○	○	○	○	○	○
K	●	○	○	○	○	○	○	○	○	○	○	○
L	●	○	○	○	○	○	○	○	○	○	○	○
M	●	○	○	○	○	○	○	○	○	○	○	○
N	●	○	○	○	○	○	○	○	○	○	○	○
P	●	○	○	○	○	○	○	○	○	○	○	○
R	●	○	○	○	○	○	○	○	○	○	○	○
T	●	○	○	○	○	○	○	○	○	○	○	○
U	●	○	○	○	○	○	○	○	○	○	○	○
V	●	○	○	○	○	○	○	○	○	○	○	○
W	●	○	○	○	○	○	○	○	○	○	○	○

U304

	1	2	3	4	5	6	7	8	9	10	11	12	13	14
A	○	○	○	○	○	○	○	○	○	○	○	○	○	○
B	●	●	○	○	○	○	○	○	○	○	○	○	○	○
C	○	○	○	○	○	○	○	○	○	○	○	○	○	○
D	○	○	○	○	○	○	○	○	○	○	○	○	○	○
E	○	○	○	○	○	○	○	○	○	○	○	○	○	○
F	○	○	○	○	○	○	○	○	○	○	○	○	○	○
G	○	○	○	○	○	○	○	○	○	○	○	○	○	○
H	○	○	○	○	○	○	○	○	○	○	○	○	○	○
J	○	○	○	○	○	○	○	○	○	○	○	○	○	○
K	○	○	○	○	○	○	○	○	○	○	○	○	○	○
L	○	○	○	○	○	○	○	○	○	○	○	○	○	○
M	○	○	○	○	○	○	○	○	○	○	○	○	○	○
N	○	○	○	○	○	○	○	○	○	○	○	○	○	○
P	○	○	○	○	○	○	○	○	○	○	○	○	○	○

Schematic Diagram

UME400

	1	2	3	4	5	6	7	8	9	10
A	○	○	○	○	○	○	○	○	○	○
B	○	○	○	○	○	○	○	○	○	○
C	○	○	○	○	○	○	○	○	○	○
D	●	●	○	○	○	●	○	○	○	○
E	○	○	●	○	○	○	○	○	○	○
F	○	●	○	○	○	○	○	○	○	○
G	●	○	○	●	○	○	○	○	○	○
H	○	○	○	○	○	○	○	●	●	○
I	○	○	○	○	○	○	○	○	○	○
J	○	○	○	○	○	○	○	○	○	○

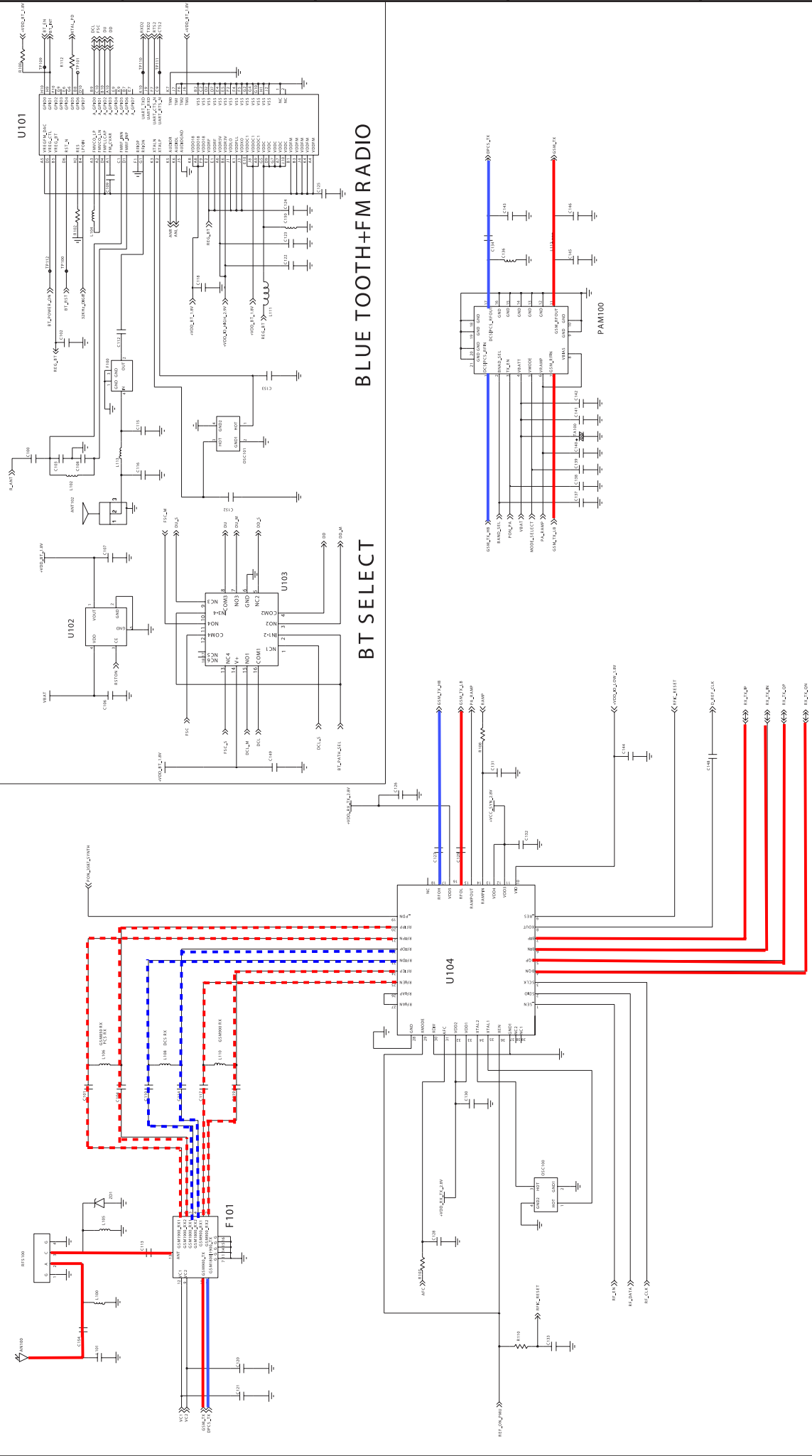
UCP800

	1	2	3	4	5	6	7	8	9	10	11	12	13	14
A	○	○	○	○	○	○	●	○	○	●	○	○	○	●
B	○	○	○	○	○	○	●	○	○	○	○	○	○	●
C	○	○	○	○	○	○	○	○	○	○	○	○	○	○
D	○	○	○	○	○	○	○	○	○	○	○	○	○	○
E	○	○	○	○	○	○	○	○	○	○	○	○	○	○
F	○	○	○	○	○	○	○	○	○	○	○	○	○	○
G	○	○	○	○	○	○	○	○	○	○	○	○	○	○
H	○	○	○	○	○	○	○	○	○	○	○	○	○	○
J	○	○	○	○	○	○	○	○	○	○	○	○	○	○
K	○	○	○	○	○	○	○	○	○	○	○	○	○	○
L	○	○	○	○	○	○	○	○	○	○	○	○	○	○
M	○	○	○	○	○	○	○	○	○	○	○	○	○	○
N	○	○	○	○	○	○	○	○	○	○	○	○	○	○
P	○	○	○	○	○	○	○	○	○	○	○	○	○	○

UME800

	1	2	3	4	5	6	7	8	9	10
A	●	●							●	●
B	●	●							●	●
C		●	●	●	●	●	●	●	●	●
D	●	○	○	○	○	○	○	○	○	○
E	●	○	○	○	○	○	○	○	○	○
F	●	○	○	○	○	○	○	○	○	○
G	●	○	○	○	○	○	○	○	○	○
H	●	○	○	○	○	○	○	○	○	○
J	●	○	○	○	○	○	○	○	○	○
K	●	○	○	○	○	○	○	○	○	○
L	●	●	○	○	○	○	○	○	○	○
M	●	●	●	○	○	○	○	○	○	○
N	●	●							●	●
P	●	●							●	●

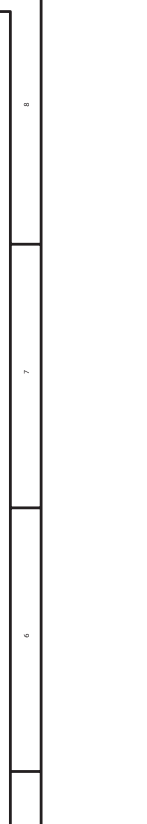
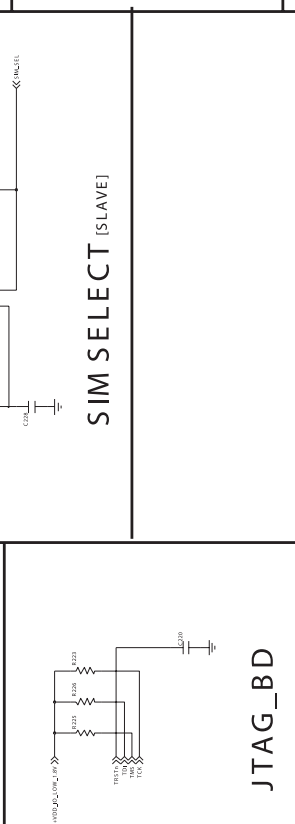
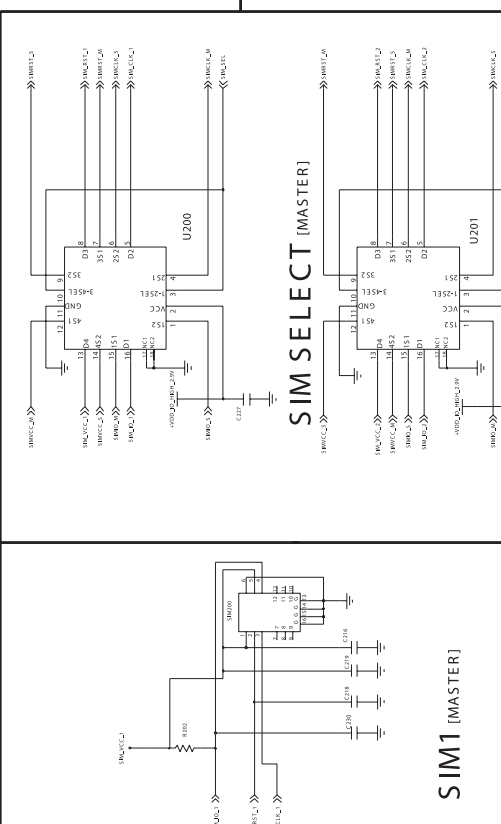
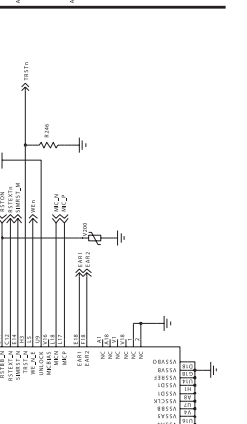
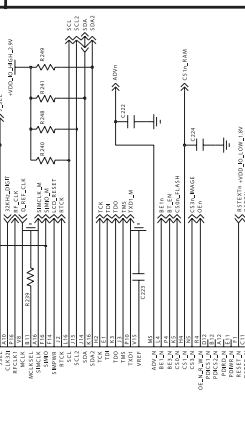
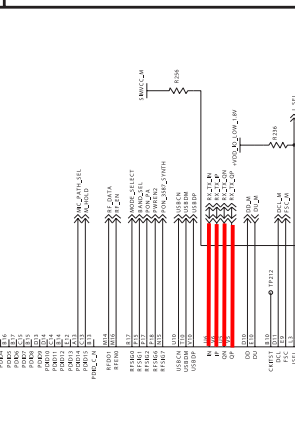
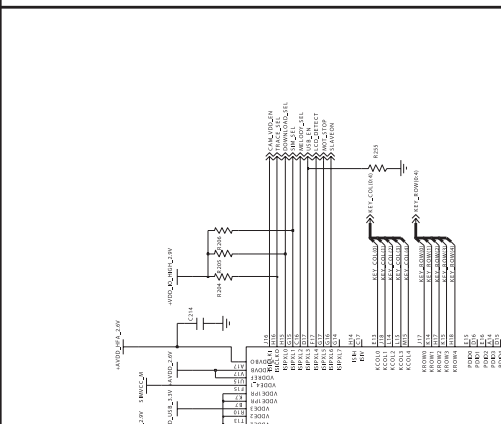
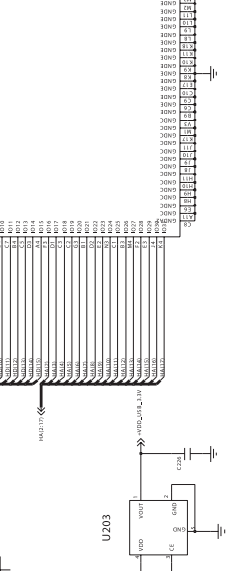
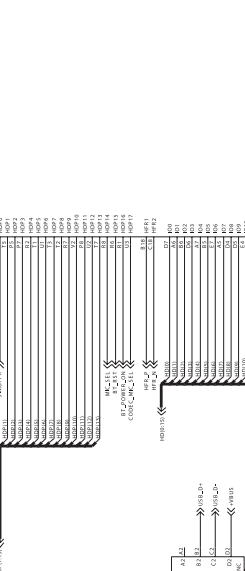
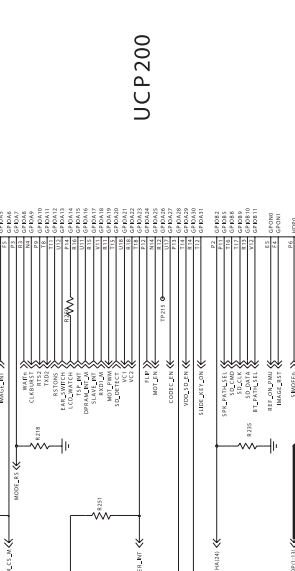
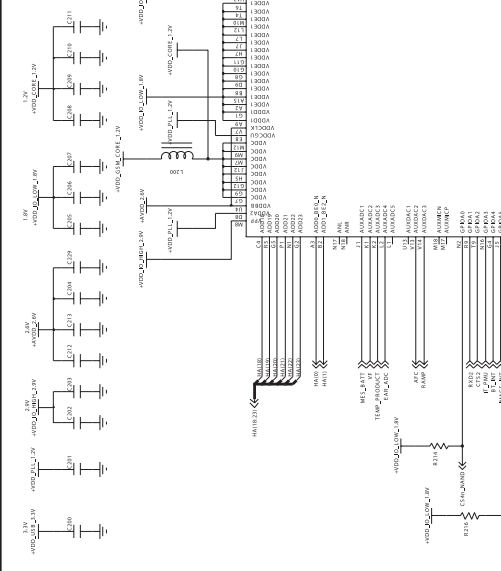
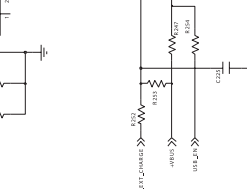
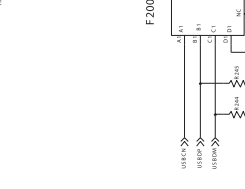
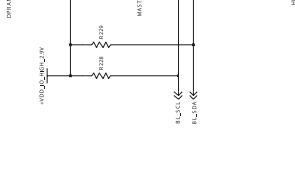
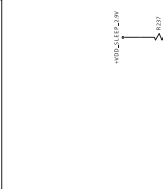
SAMSUNG CONFIDENTIAL
 PROPRIETARY INFORMATION THAT IS
 UNLAWFULLY DISCLOSED TO OTHERS
 WITHOUT THE WRITTEN PERMISSION OF SAMSUNG



BLUE TOOTH+FM RADIO

BT SELECT

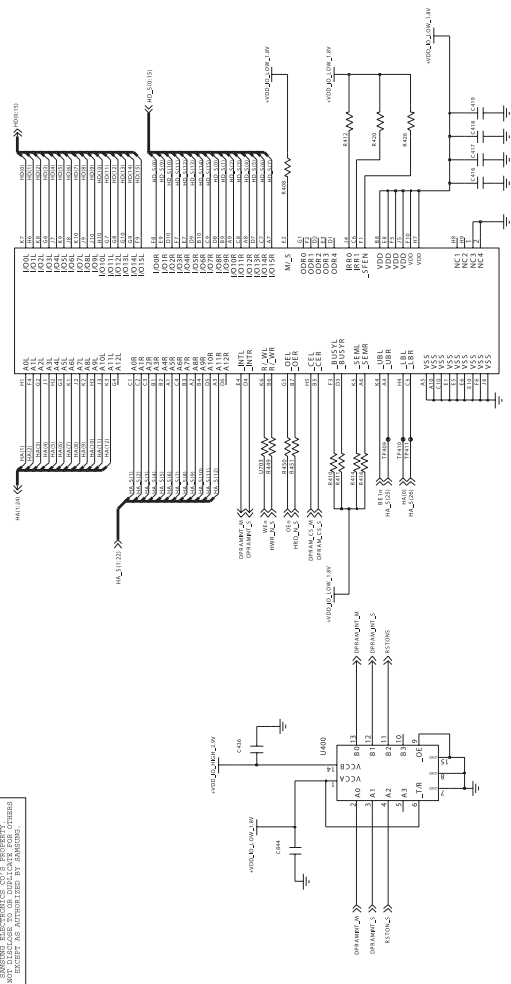
SAMSUNG CONFIDENTIAL
 PROPRIETARY INFORMATION. THIS IS
 DOCUMENT IS NOT TO BE DISCLOSED, COPIED,
 REPRODUCED, OR TRANSMITTED IN ANY FORM.



SGH-D880 Service Schematics

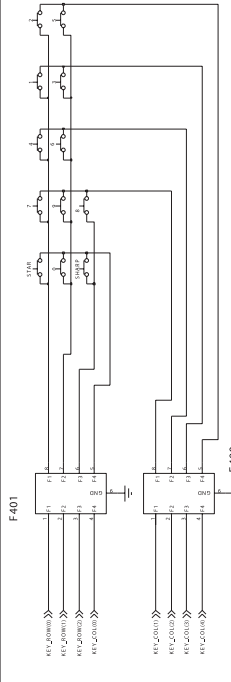
SAMSUNG CONFIDENTIAL
 PROPRIETARY INFORMATION - THIS IS
 NOT TO BE DISCLOSED OR DISTRIBUTED TO ANY OTHERS
 WITHOUT THE WRITTEN PERMISSION OF SAMSUNG

UME400

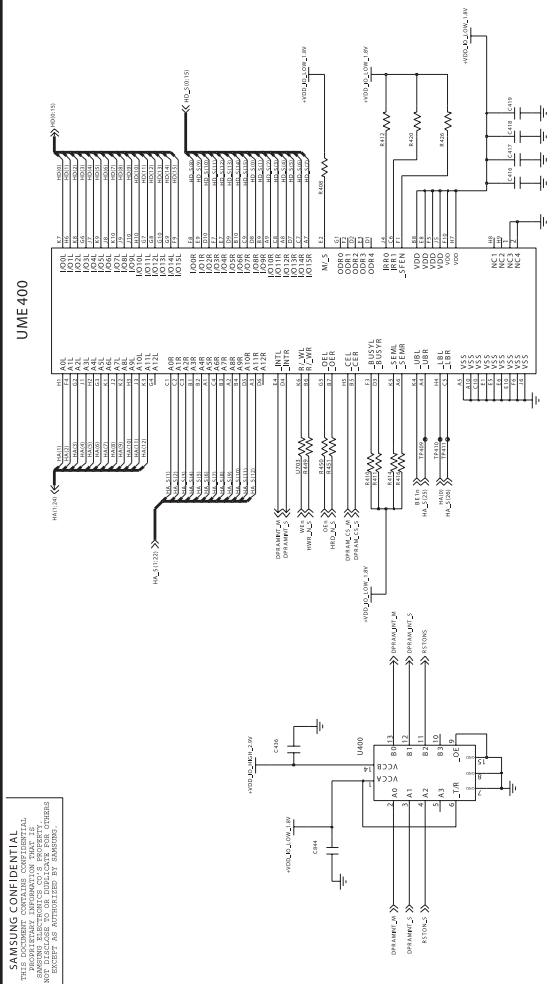
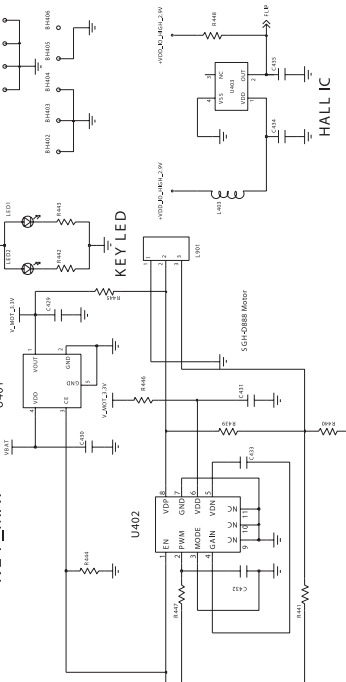


DUAL-PORT RAM (64 Kbit)
 [COMMON]

LEVEL SHIFTER

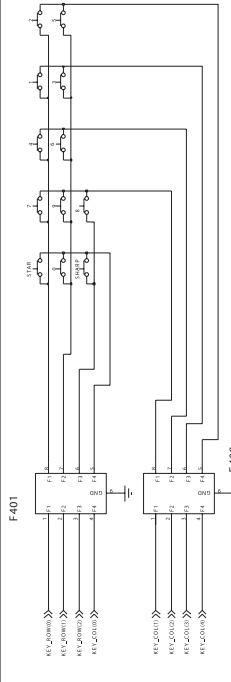


KEY_MAP

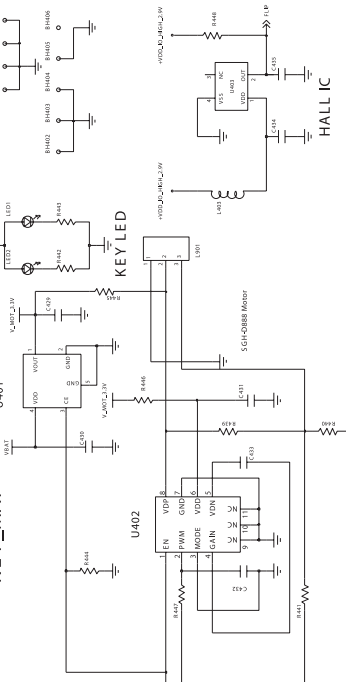


UP L400

PMU

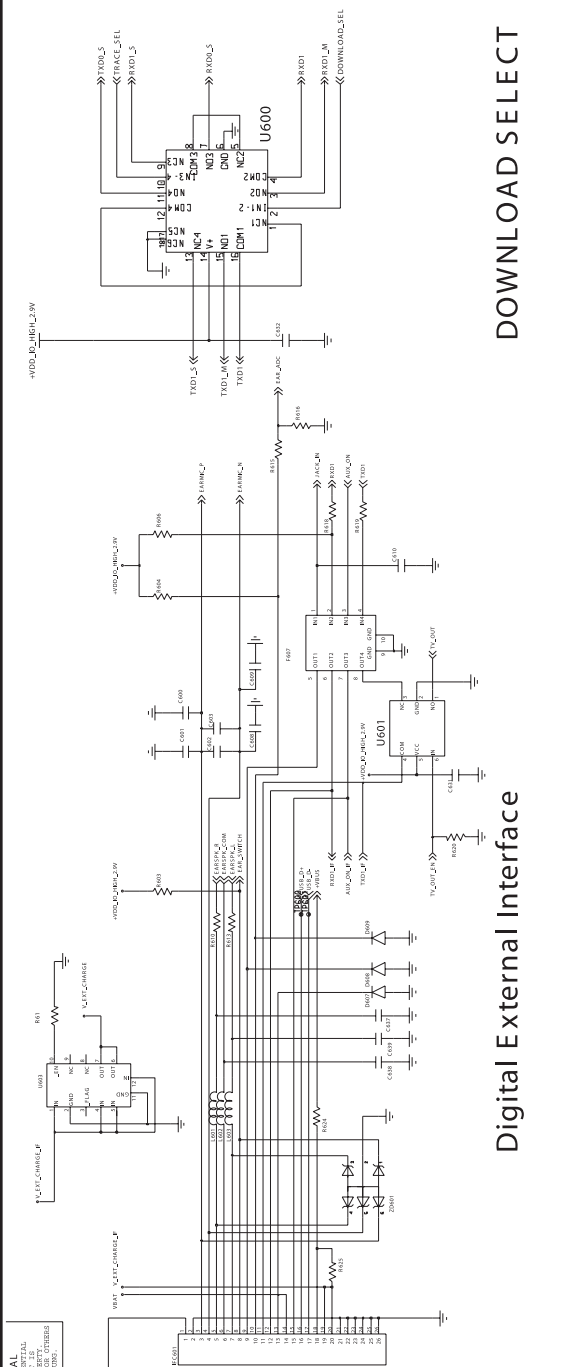


KEY_MAP



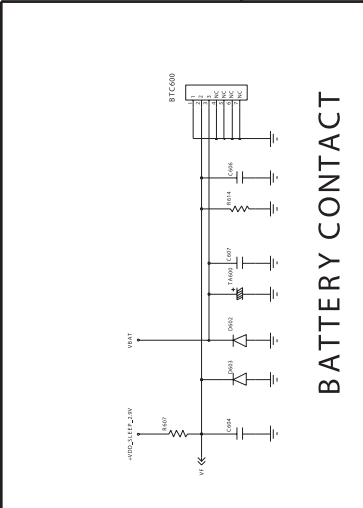
SGH-D880 Service Schematics

SAMSUNG CONFIDENTIAL
PROPERTY INFORMATION THAT IS
NOT TO BE DISCLOSED TO OTHERS
WITHOUT THE EXPRESS WRITTEN
CONSENT OF SAMSUNG ELECTRONICS CO., LTD.

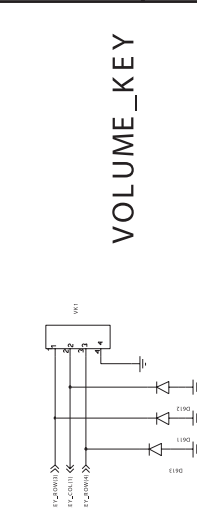


Digital External Interface

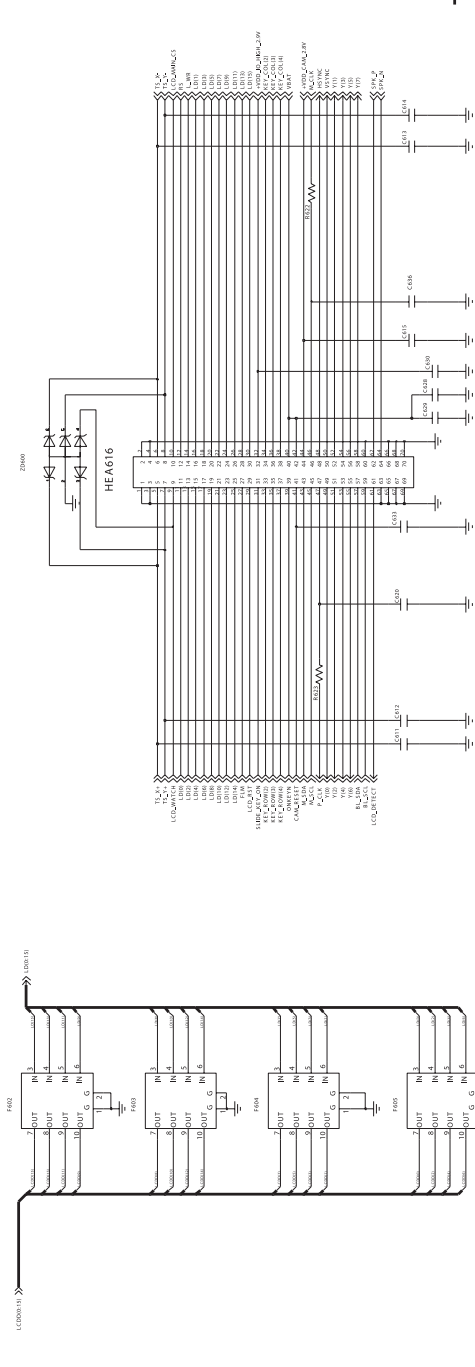
DOWNLOAD SELECT



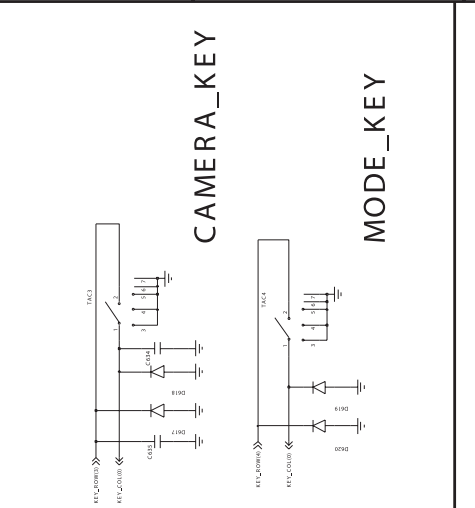
BATTERY CONTACT



VOLUME_KEY



SLIDE CONNECTOR [70PIN]

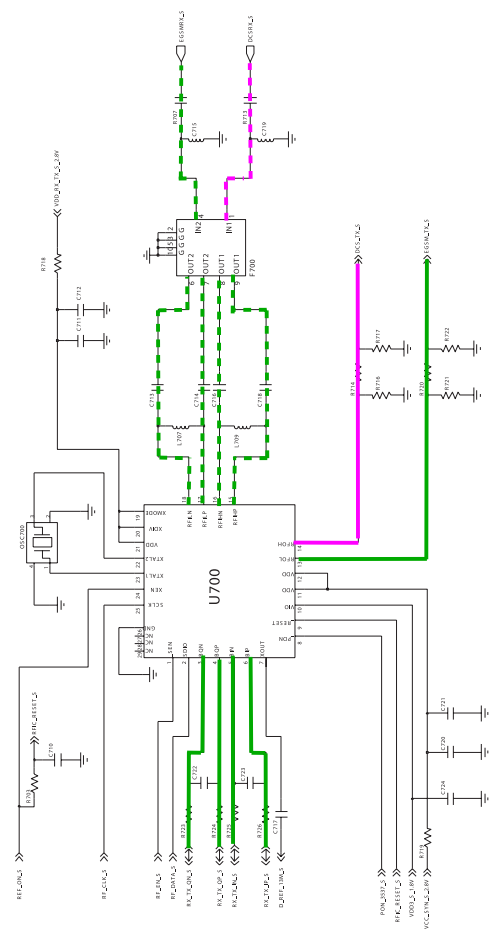
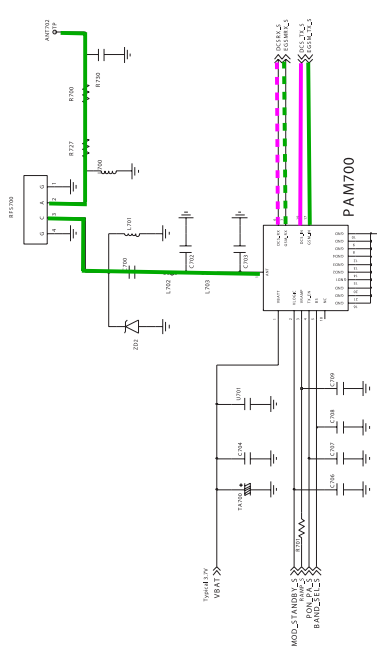


CAMERA_KEY

MODE_KEY

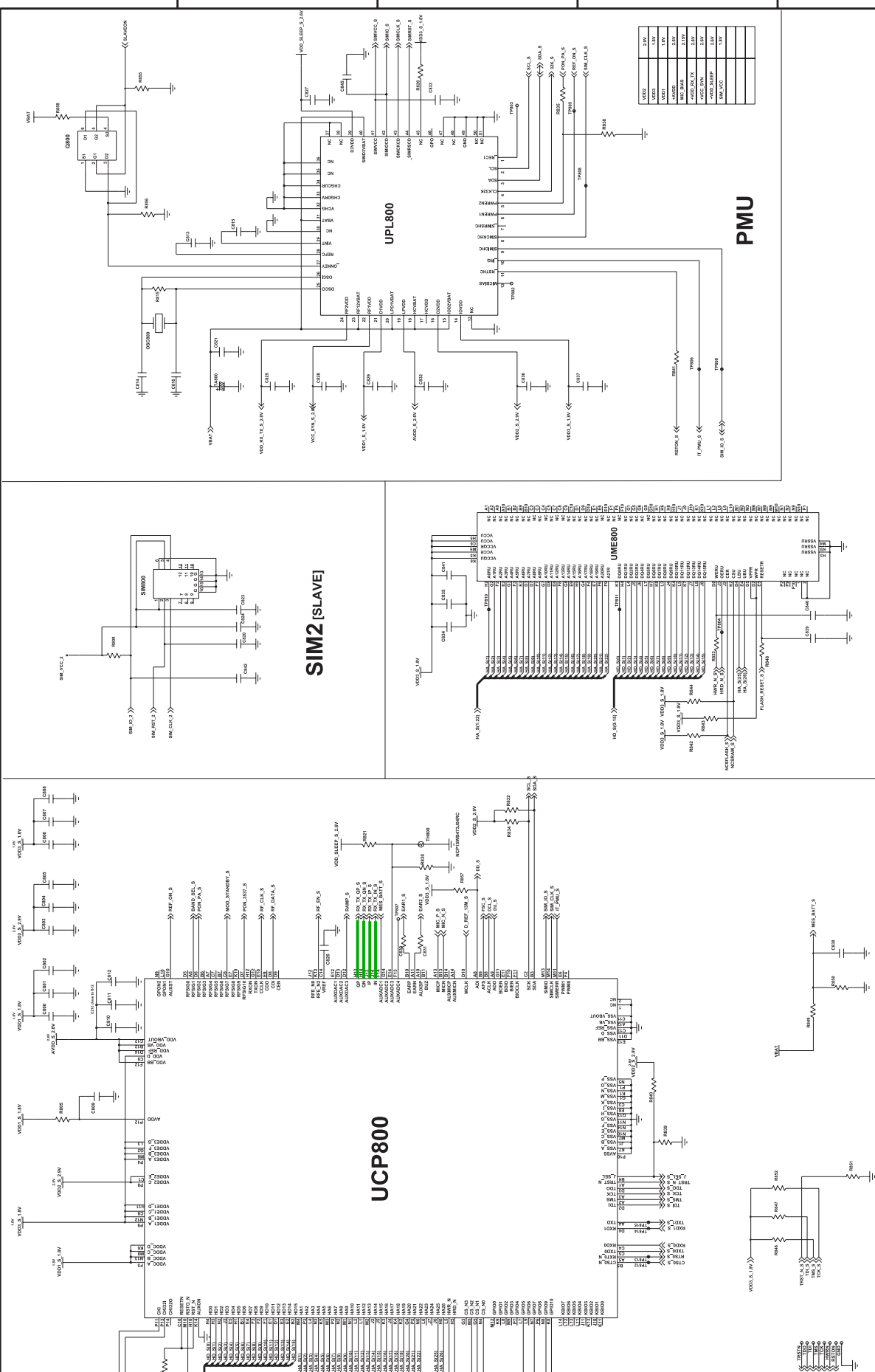
SGH-D880 Service Schematics

SAMSUNG CONFIDENTIAL
 PROPRIETARY INFORMATION. THIS IS
 NOT TO BE DISCLOSED TO ANY OTHERS
 WITHOUT THE AUTHORIZATION OF SAMSUNG.



SGH-D880 Service Schematics

SAHMSING CONFIDENTIAL
 PROPRIETARY INFORMATION THAT IS
 UNLAWFULLY DISCLOSED TO OTHERS
 WITHOUT THE WRITTEN PERMISSION OF
 SAHMSING ELECTRONICS CO., LTD.



JTAG_BD

MEMORY
 (64M NOR x 32M UPRAM)

SGH-D880 Service Schematics

**SAMSUNG
ELECTRONICS**



GSPN (Global Service Partner Network)

Country	Web Site
North America	service.samsungportal.com
Latin America	latin.samsungportal.com
CIS	cis.samsungportal.com
Europe	europe.samsungportal.com
China	china.samsungportal.com
Asia	asia.samsungportal.com
Mideast & Africa	mea.samsungportal.com