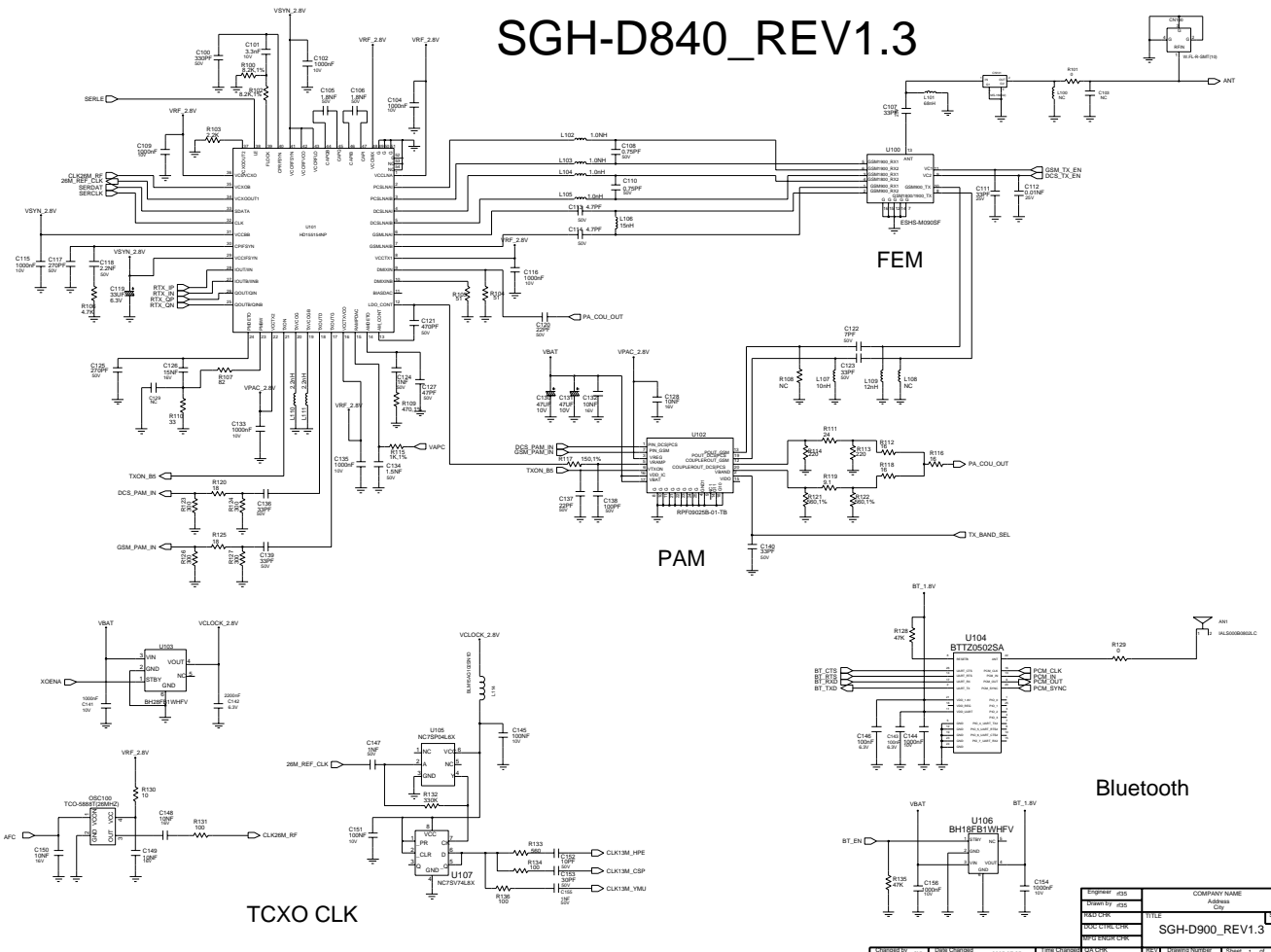


SGH-D840_REV1.3



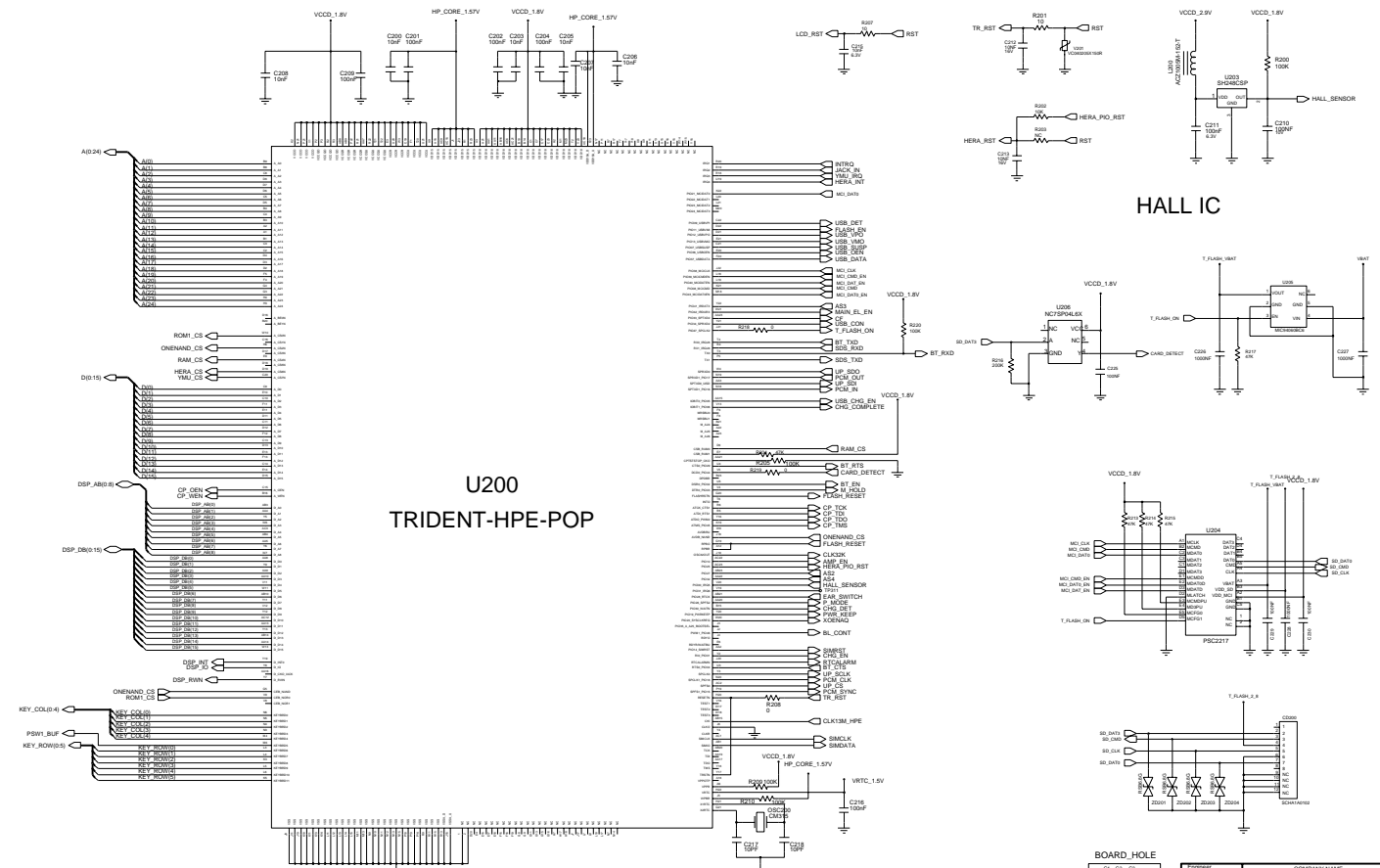
FEM

PAM

Bluetooth

TCXO CLK

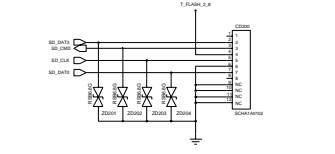
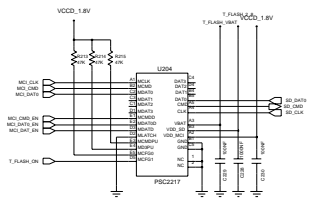
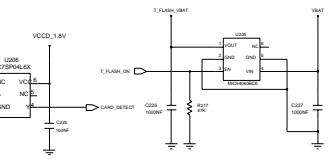
Engineer	406	COMPANY NAME	
Drawn by	406	Address	
Rev. No.		City	
Rev. Date		Country	
Rev. Description		SGH-D900_REV1.3	
Rev. Checked		Project No.	
Rev. Approved		Rev. No.	
Rev. Date		Rev. Date	
Rev. Description		Rev. Description	



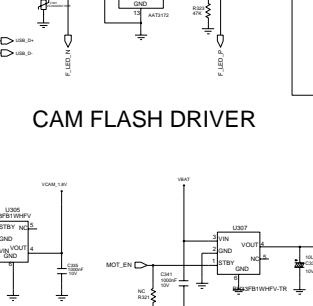
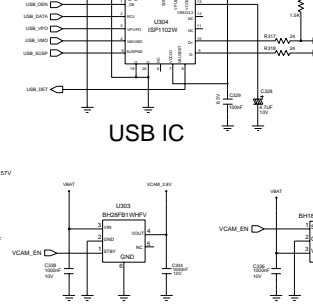
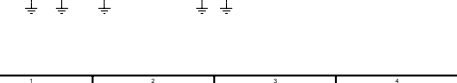
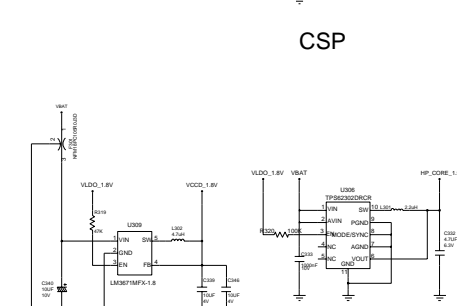
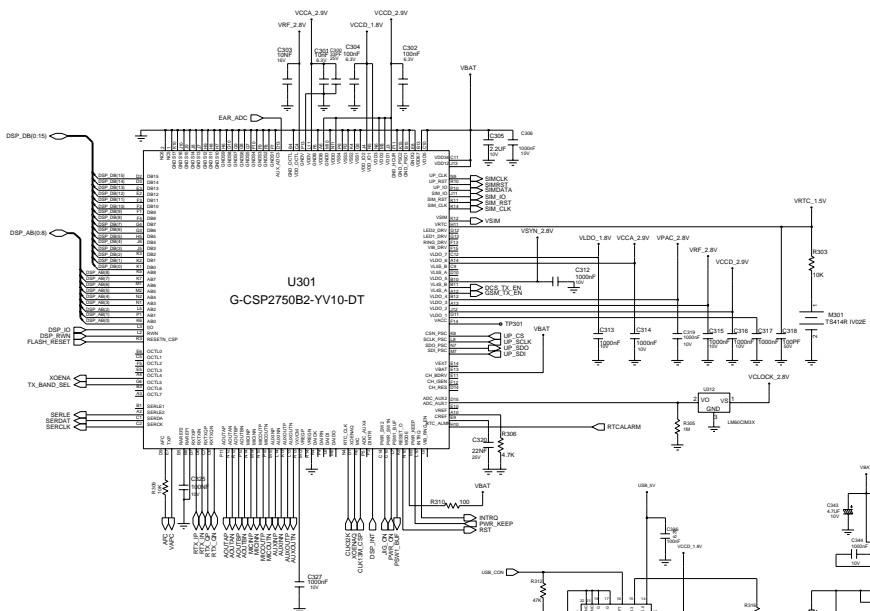
**U200
TRIDENT-HPE-POP**

HPE

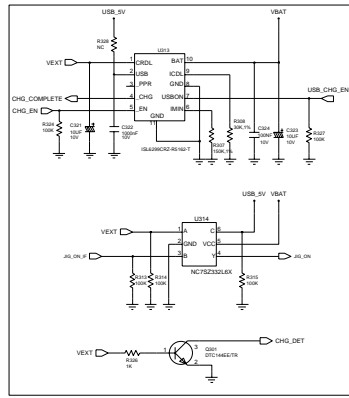
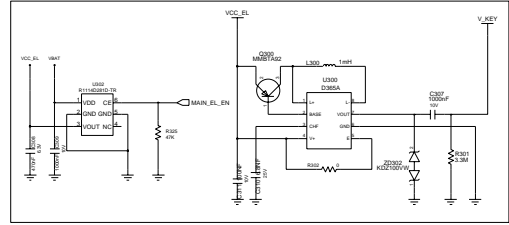
HALL IC



Engineer	CS	COMPANY NAME
Drawn by	JCS	Address
Rev. No.	1	City
Rev. Date		
Rev. Description		
Rev. Reason		
SGH-D900_REV1.3		
Checked by		
Checked Date		
Checked by		
Checked Date		
Checked by		
Checked Date		



KEY EL DRIVER

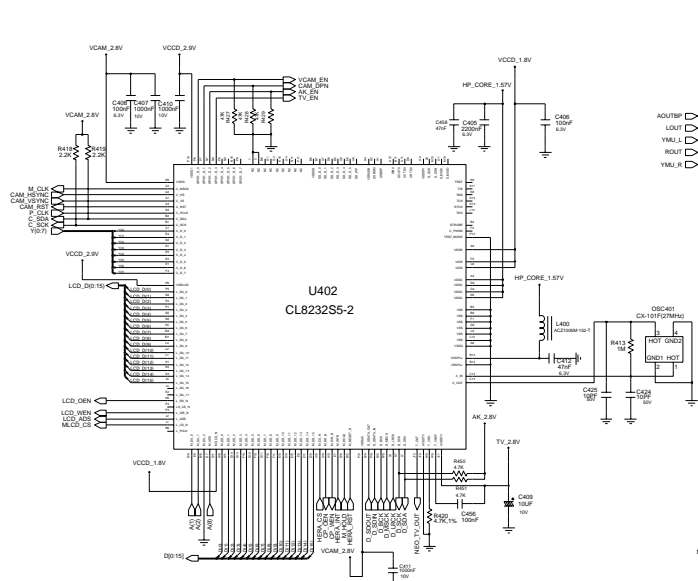


USB IC

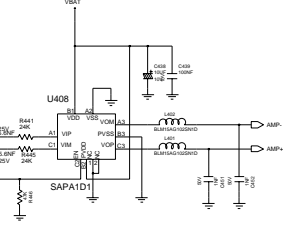
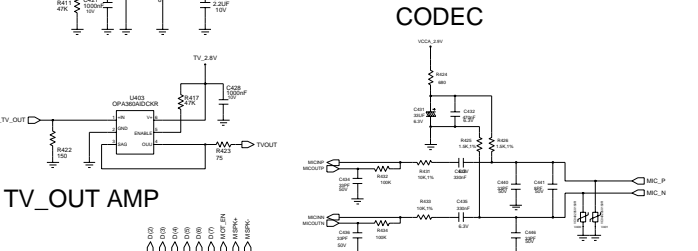
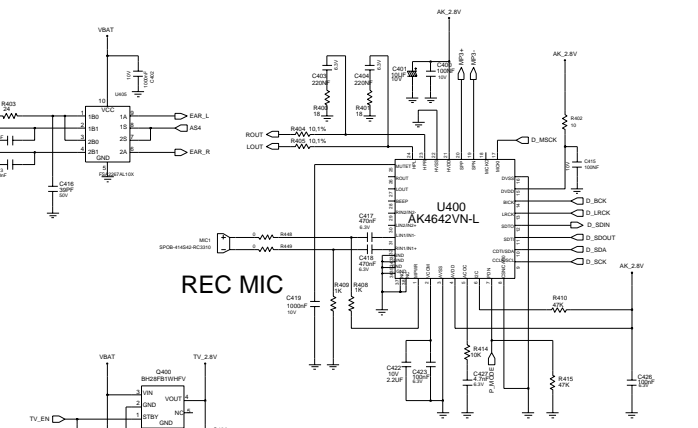
CAM FLASH DRIVER

CHARGER IC

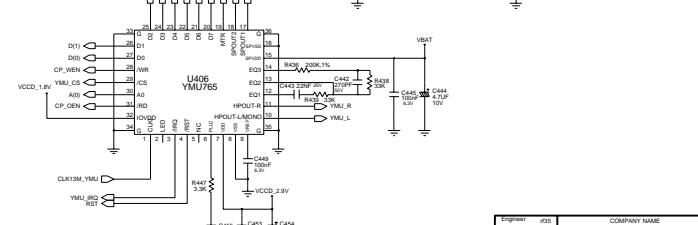
ENGINEER	zsh	COMPANY NAME	
DESIGN BY	zsh	ADDRESS	
DATE	2005.07.25	CITY	
DESIGN CHECK		TITLE	
REVISION CHECK		PROJECT NAME	SGH-D900_REV1.3
DATE		DRAWING NUMBER	Sheet 1 of 5



HERA-TV-NEO

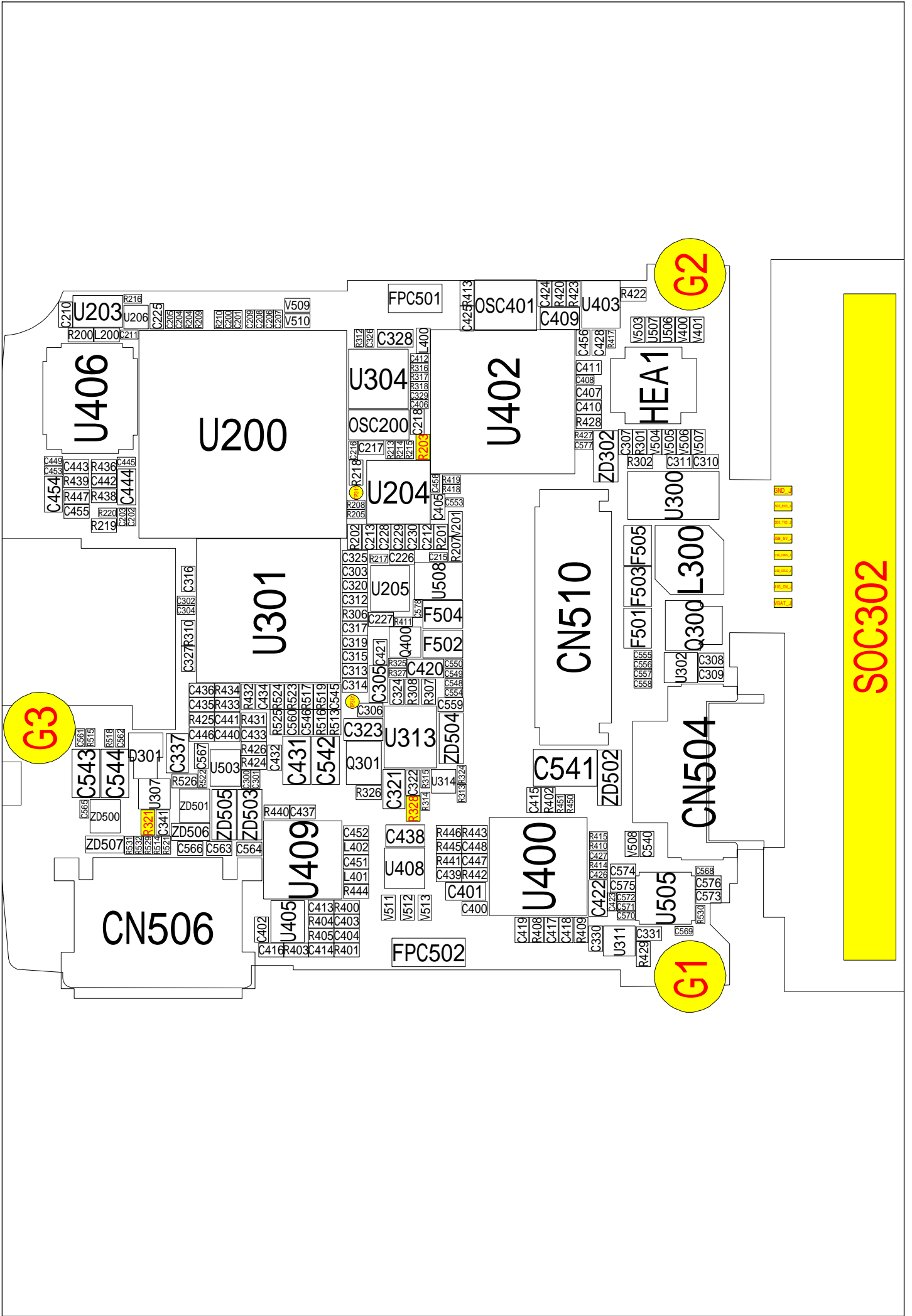


SAPA AUDIO AMP



YAMAHA

Engineer	jes	COMPANY NAME	
Desig by	jes	Address	
Rev: 01		City	
DATE: 01-01-2006		TITLE	
DESIGNER: JES		PROJECT NAME	SGH-D900_REV1.3
DATE: 01-01-2006		CHK: JES	
DATE: 01-01-2006		CHK: JES	
DATE: 01-01-2006		CHK: JES	
DATE: 01-01-2006		CHK: JES	



G2

G3

G1

SOC302