

VR303 C321
 VR304 C322
 VR305
 U316
 R320 L401

TP502

U311

C430

U401

L402

R339

R338 R333

TA534

C403

TA428

D309

R323 R324
 R326 R322
 C307 R325
 R305 R327 R325
 C308

OSC300

TR312

C319

U304

C615

U602

C613

R551

C541

R531

C544

R552

R530

C543

R532

C542

C623

C624

C620

L602

C605

C606

C610

TP601

TP503

C331

C317

C318

C320

C546

R533

U515

C541

R531

C544

R552

C540

R530

C538

L604

C539

C609

L603

C617

TP229

TP216

TP223

TP221

R520

C419

C545

TP218

TP220

TP208

TP219

TP217

TP604

U603

TP601

R216

R215

C611

R618

VK700

R550

R508

CD300

SIM400

FC500

C426

BAT409

F101

U100

C107

R137

C160

C159

R135

R136

R136

U201

R280

VR102

VR101

C751

L701

C755

L700

R505

R506

L712

L710

L711

C567

C562

C564

C563

L714

L715

D517

C752

U715

R501

U511

U510

C418

C565

C507

U514

C329

C350

C328

D500

D516

F500

R504

R535

R509

C522

C754

U716

C753

TA560

TA561

C621

R537

C622

R617

R550

TA560

TA561

C621

C621

TA561

TA561

C621

C621

ANT101

ANT102

C103

L141

L142

C102

L144

RFS100

VIB700

HDC704

TP354
 TP304
 TP305
 TP353
 TP322
 TP320
 TP321
 TP307

CPL308

HDC710

TP202

TP351

U720

L300

R337

R336

TP355 ○ TP356

SPK800

- DB14
- LAB5
- DB13
- LAB4
- DB16
- DB15

SOFT1

LEFT

UP

INT

RIGHT

SOFT2

RB01 LED801

RB06 LAB7

DOWN

RB07 LAB05

LED807 RB02

SEND

CLR

END

CN801

HDC802

C857
C858
C859
C860
C861
C862
C863
C864
C865
C866
C867
C868
C869
C870
C871
C872
C873
C874
C875
C876
C877
C878
C879
C880
C881
C882
C883
C884
C885
C886
C887
C888
C889
C890
C891
C892
C893
C894
C895
C896
C897
C898
C899
C900
C901
C902
C903
C904
C905
C906
C907
C908
C909
C910
C911
C912
C913
C914
C915
C916
C917
C918
C919
C920
C921
C922
C923
C924
C925
C926
C927
C928
C929
C930
C931
C932
C933
C934
C935
C936
C937
C938
C939
C940
C941
C942
C943
C944
C945
C946
C947
C948
C949
C950
C951
C952
C953
C954
C955
C956
C957
C958
C959
C960
C961
C962
C963
C964
C965
C966
C967
C968
C969
C970
C971
C972
C973
C974
C975
C976
C977
C978
C979
C980
C981
C982
C983
C984
C985
C986
C987
C988
C989
C990
C991
C992
C993
C994
C995
C996
C997
C998
C999
C1000

W1C800

C816 RB31
C815 C817
L802 R830 C838 VR813 VR812

CN810

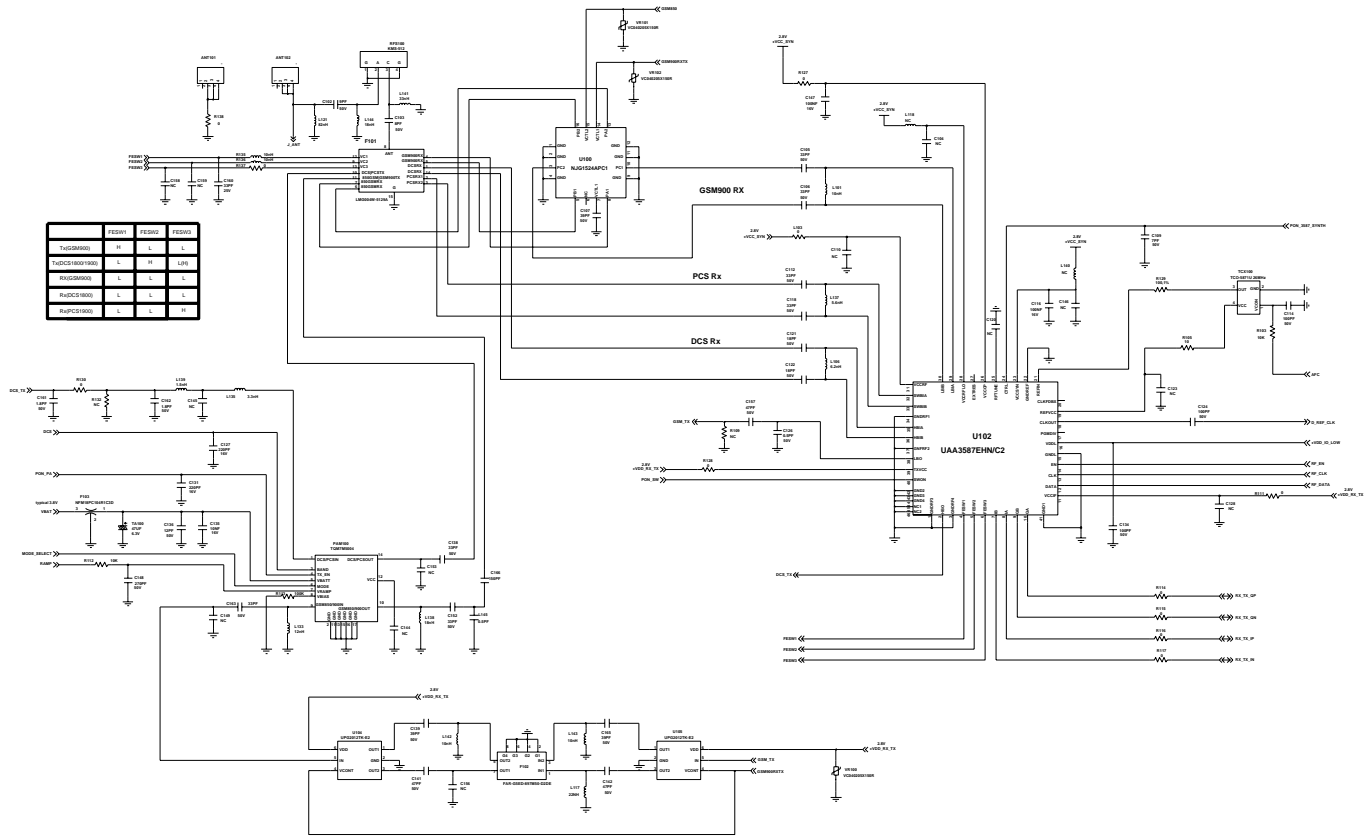
VR811 RB35 RB36
C854 C848 RB14 RB36
C853 RB14
C908 C830 C851 C909 C814
C810
U820
VR810 C849 C850

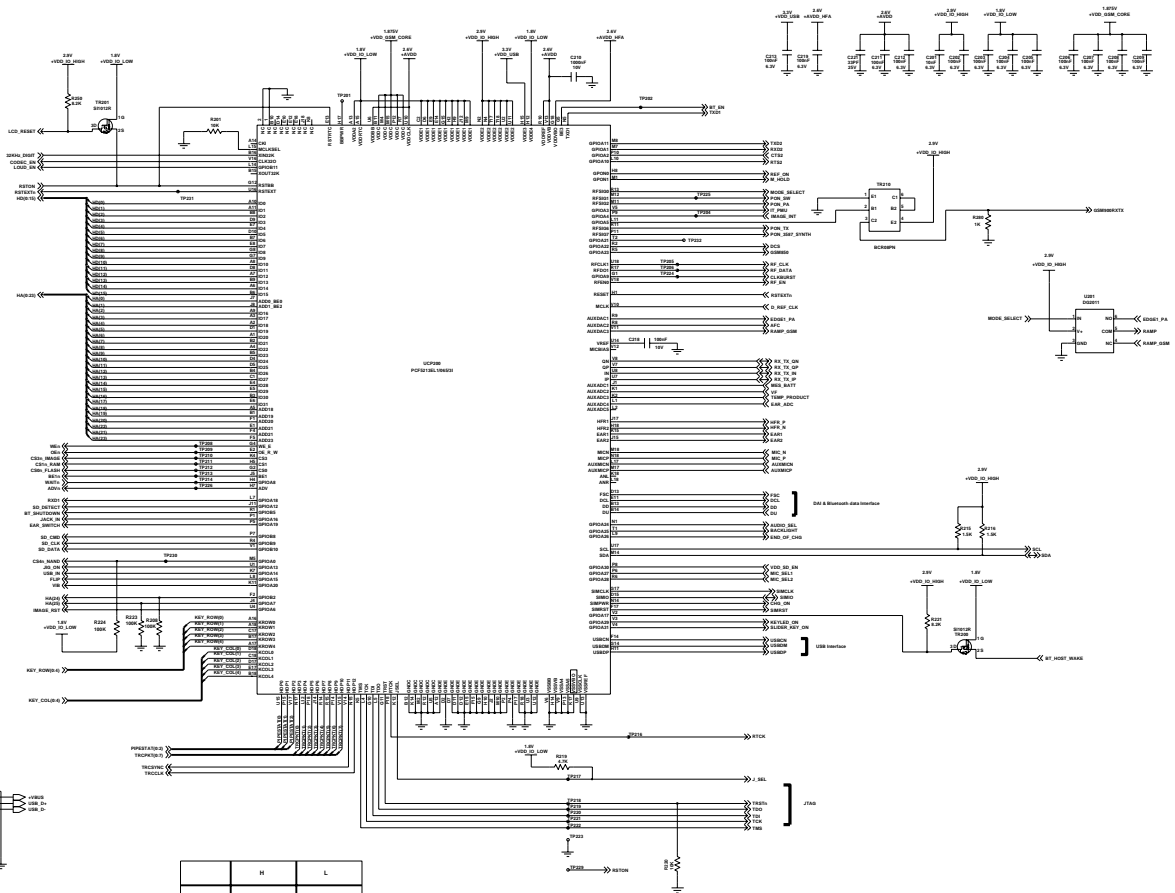
D817
P801 P800 P802 P803 P804 P806 P805

SLC811

008031

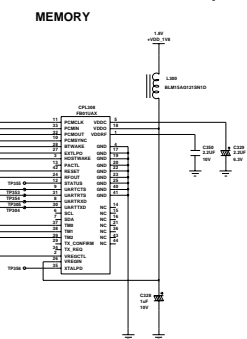
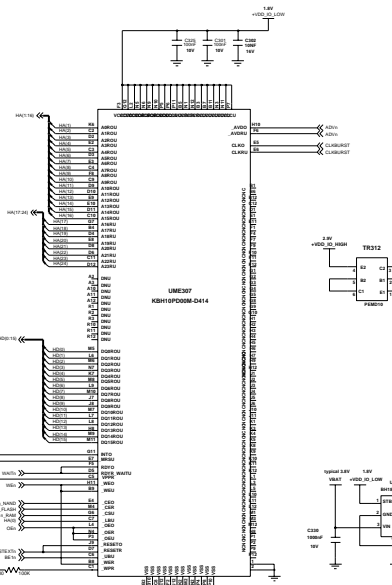
	FSM1	FSM2	FSM3
TUGSM900	H	L	L
TUGCS1800/1900	L	H	L
RUGSM900	L	L	L
RUGCS1800	L	L	L
RUGCS1900	L	L	H



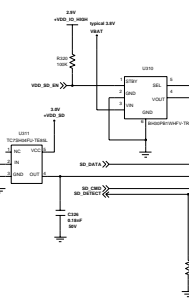
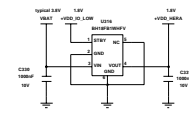


J-TAG 32 PINS

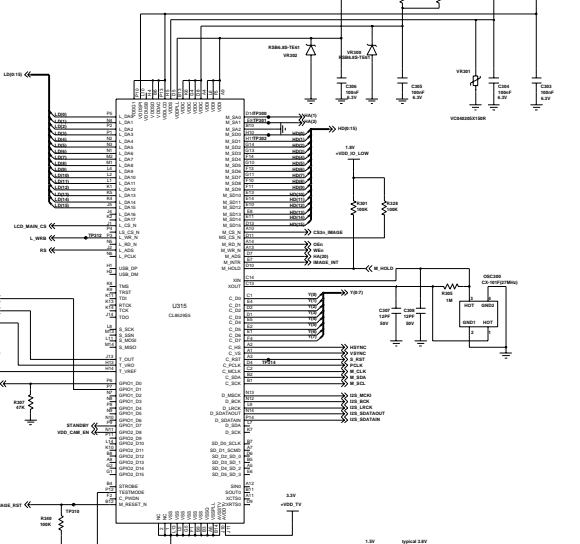
	H	L
J. SEL	ARM9	DSP
TEST	TRACE	NORMAL



BLUE TOOTH



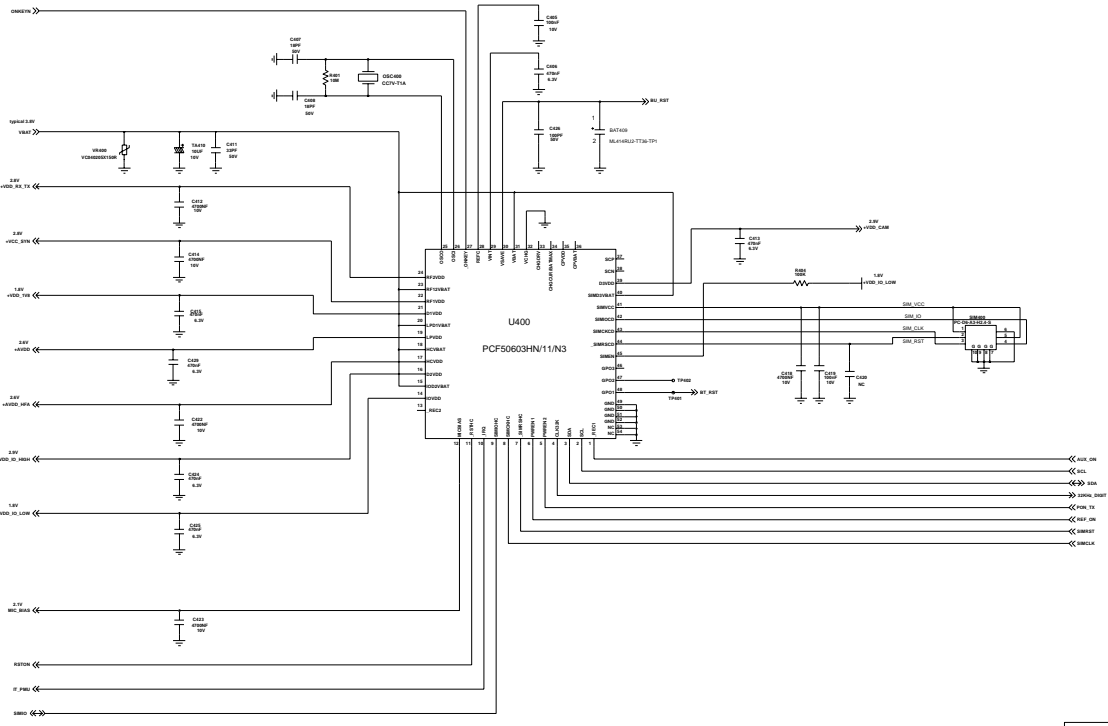
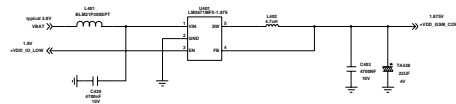
T-FLASH

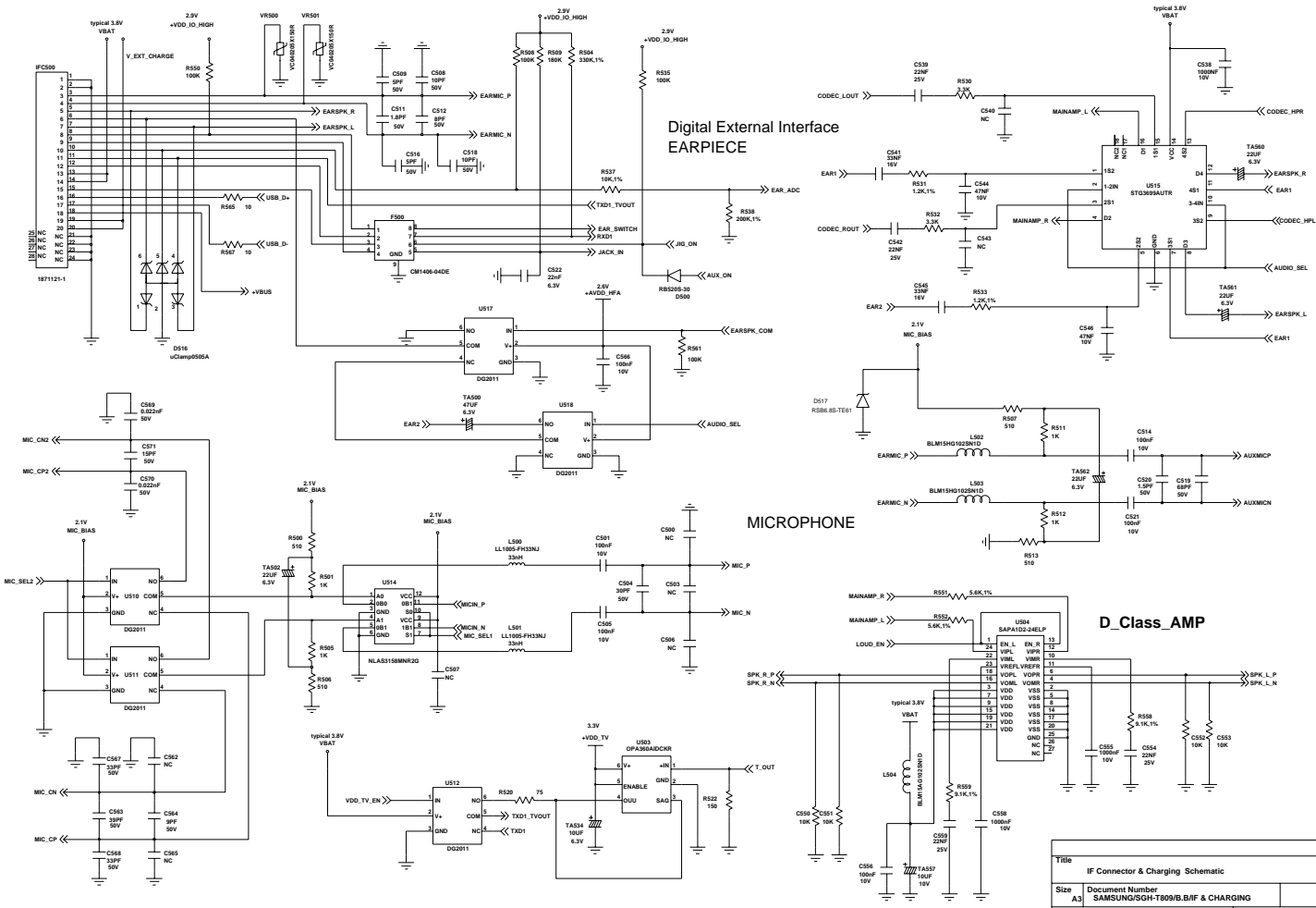


LDO



DC/DC Down Converter(1.875Volt)



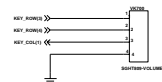
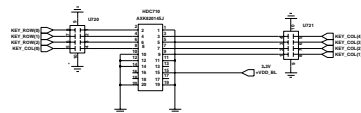
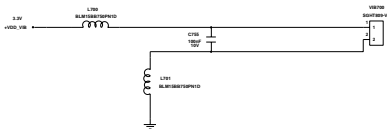


Digital External Interface EARPIECE

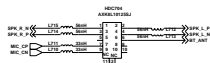
MICROPHONE

D_Class_AMP

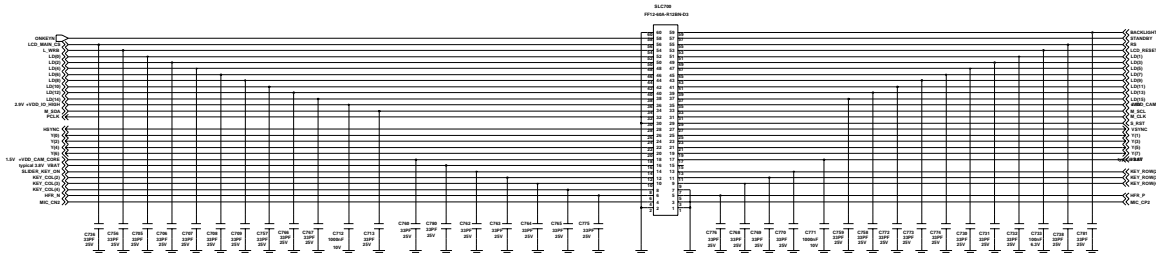
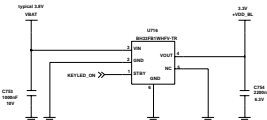
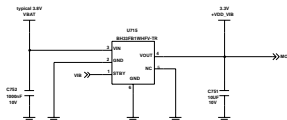
Title		IF Connector & Charging Schematic	
Size	A3	Document Number	SAMSUNG/SGH-T809/B.B/F & CHARGING
Date:		Sheet	5 of 8



KEY_CONNECTOR



SPK, MIC, VIB CONNECTOR



LCD_CONNECTOR

