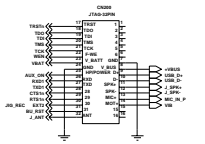
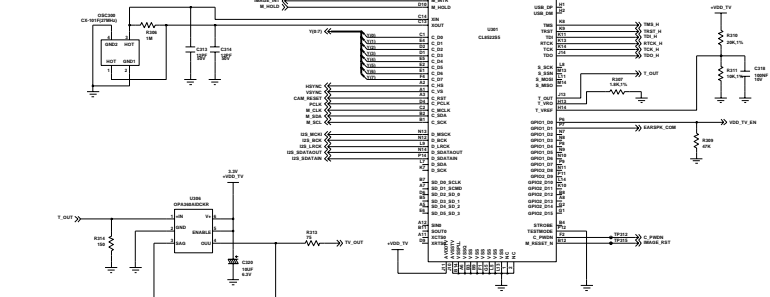
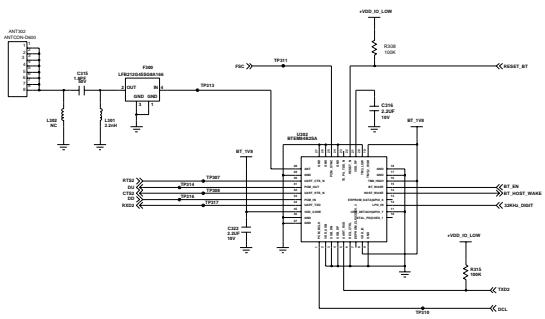
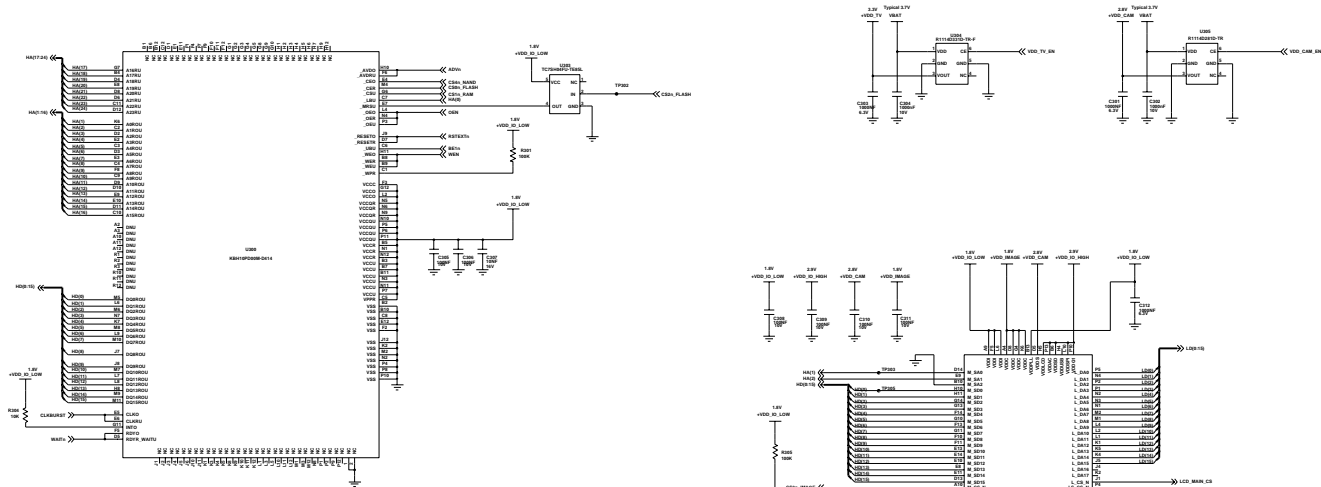


	H	L
J_SEL	ARMED	DSP
TEST	TRACE	NORMAL



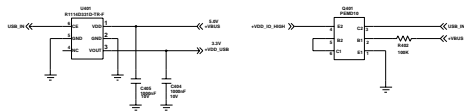
J-TAG 32 PINS



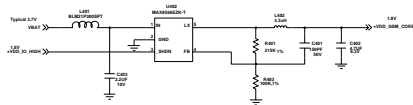
BLUE TOOTH

MULTIMEDIA CHIP (CL851S64)

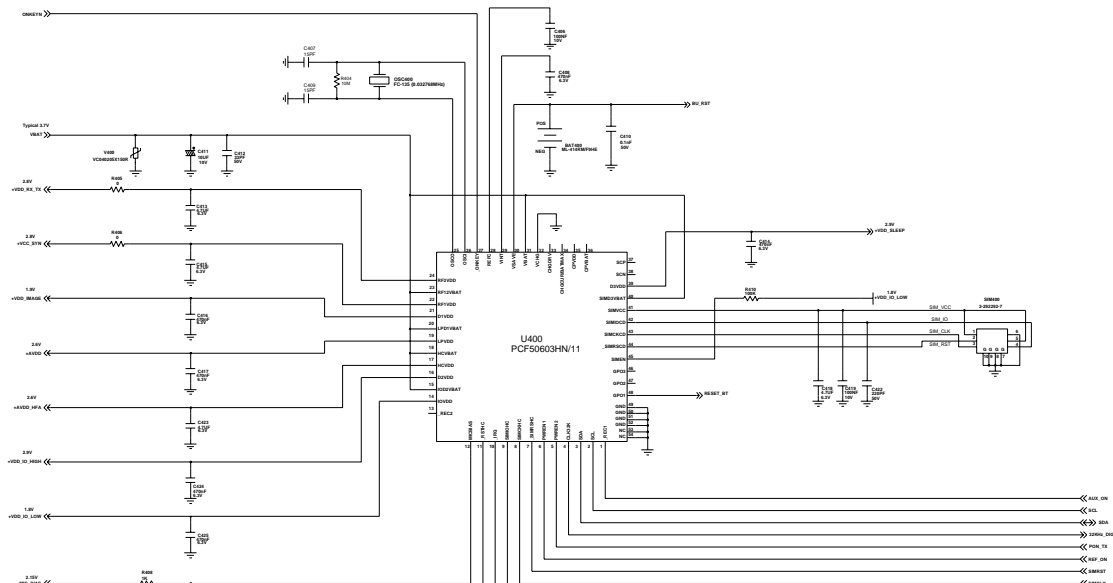
LDO



DC/DC Down Converter(1.875Volt)

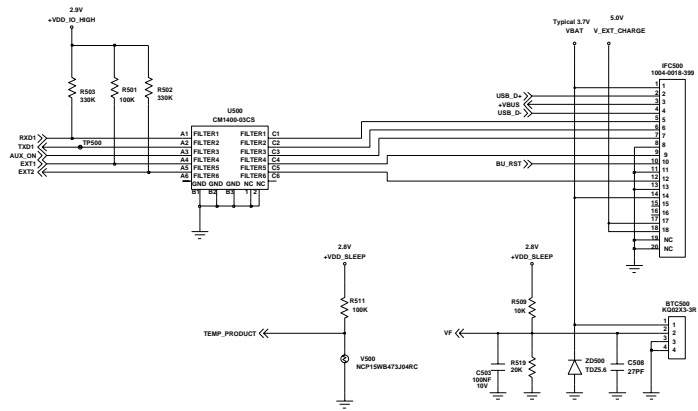


PCB_HOLE

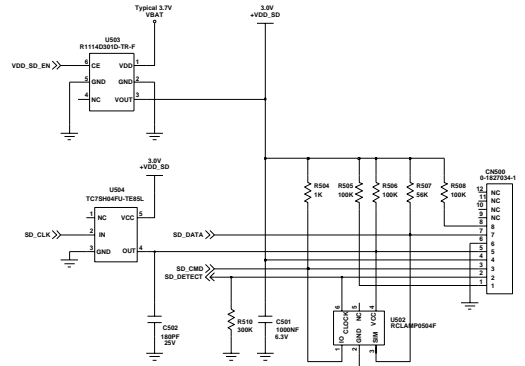


VDDIOV1	1.8V
VDDIOV2	1.8V
VDDIOV3	1.8V
VDDIOV4	1.8V
VDDIOV5	1.8V
VDDIOV6	1.8V
VDDIOV7	1.8V
VDDIOV8	1.8V
VDDIOV9	1.8V
VDDIOV10	1.8V
VDDIOV11	1.8V
VDDIOV12	1.8V
VDDIOV13	1.8V
VDDIOV14	1.8V
VDDIOV15	1.8V
VDDIOV16	1.8V
VDDIOV17	1.8V
VDDIOV18	1.8V
VDDIOV19	1.8V
VDDIOV20	1.8V
VDDIOV21	1.8V
VDDIOV22	1.8V
VDDIOV23	1.8V
VDDIOV24	1.8V
VDDIOV25	1.8V
VDDIOV26	1.8V
VDDIOV27	1.8V
VDDIOV28	1.8V
VDDIOV29	1.8V
VDDIOV30	1.8V
VDDIOV31	1.8V
VDDIOV32	1.8V
VDDIOV33	1.8V
VDDIOV34	1.8V
VDDIOV35	1.8V
VDDIOV36	1.8V
VDDIOV37	1.8V
VDDIOV38	1.8V
VDDIOV39	1.8V
VDDIOV40	1.8V
VDDIOV41	1.8V
VDDIOV42	1.8V
VDDIOV43	1.8V
VDDIOV44	1.8V
VDDIOV45	1.8V
VDDIOV46	1.8V
VDDIOV47	1.8V
VDDIOV48	1.8V
VDDIOV49	1.8V
VDDIOV50	1.8V
VDDIOV51	1.8V
VDDIOV52	1.8V
VDDIOV53	1.8V
VDDIOV54	1.8V
VDDIOV55	1.8V
VDDIOV56	1.8V
VDDIOV57	1.8V
VDDIOV58	1.8V
VDDIOV59	1.8V
VDDIOV60	1.8V
VDDIOV61	1.8V
VDDIOV62	1.8V
VDDIOV63	1.8V
VDDIOV64	1.8V
VDDIOV65	1.8V
VDDIOV66	1.8V
VDDIOV67	1.8V
VDDIOV68	1.8V
VDDIOV69	1.8V
VDDIOV70	1.8V
VDDIOV71	1.8V
VDDIOV72	1.8V
VDDIOV73	1.8V
VDDIOV74	1.8V
VDDIOV75	1.8V
VDDIOV76	1.8V
VDDIOV77	1.8V
VDDIOV78	1.8V
VDDIOV79	1.8V
VDDIOV80	1.8V
VDDIOV81	1.8V
VDDIOV82	1.8V
VDDIOV83	1.8V
VDDIOV84	1.8V
VDDIOV85	1.8V
VDDIOV86	1.8V
VDDIOV87	1.8V
VDDIOV88	1.8V
VDDIOV89	1.8V
VDDIOV90	1.8V
VDDIOV91	1.8V
VDDIOV92	1.8V
VDDIOV93	1.8V
VDDIOV94	1.8V
VDDIOV95	1.8V
VDDIOV96	1.8V
VDDIOV97	1.8V
VDDIOV98	1.8V
VDDIOV99	1.8V
VDDIOV100	1.8V

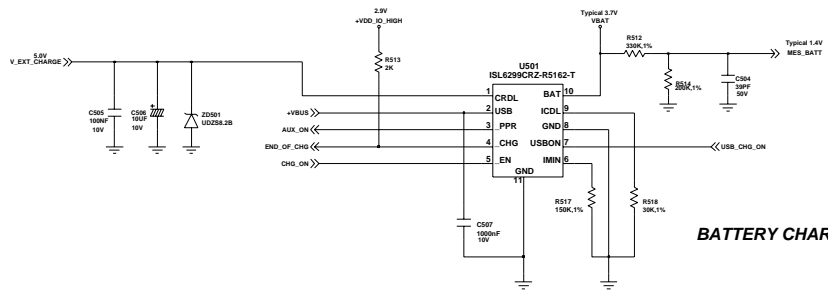
Digital External Interface



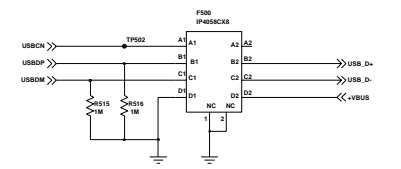
THERMIST



T-FLASH

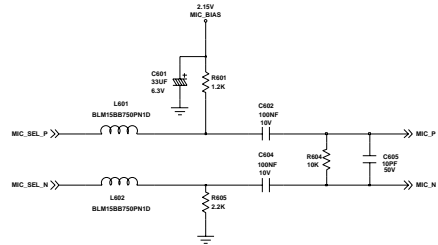
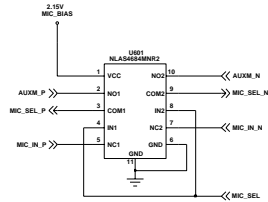
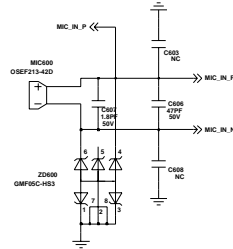


BATTERY CHARGING

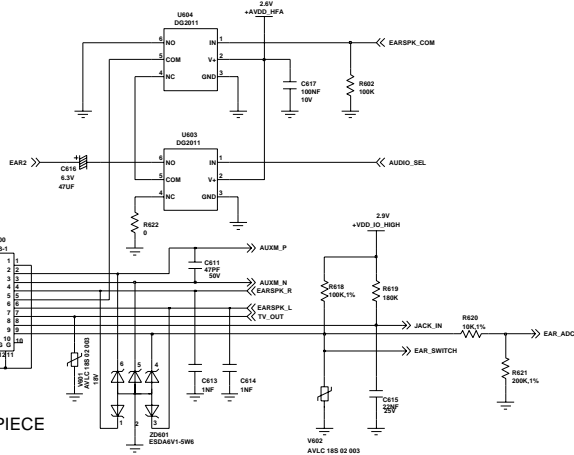


Title			
IF Connector & Charging Schematic			
Size	Document Number	Rev	
A3	SAMSUNG/SGH-PREGIO/B.B.F & CHARGING	Rev 3.1E	
Date:	2005.08.30	Sheet	5 of 8

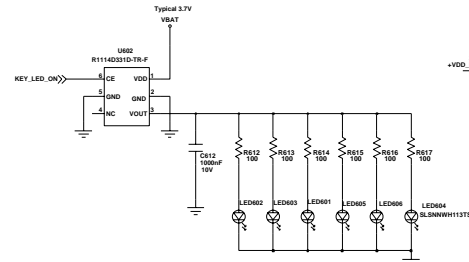
MICROPHONE



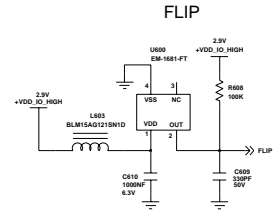
MIC_SEL	
H	EARPHONE MIC
L	MAIN MIC



EARPIECE

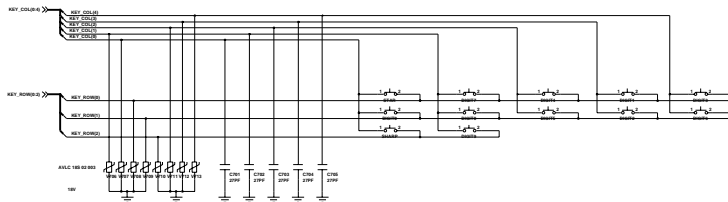


KEY_LED

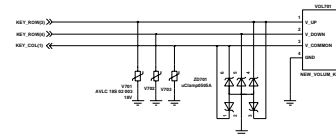


FLIP	
H	SLIDE UP
L	SLIDE DOWN

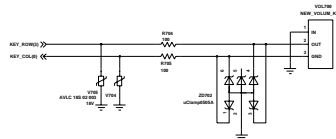
KEY_MAP



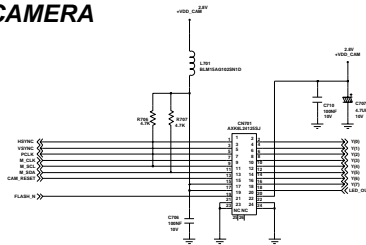
VOLUME_KEY



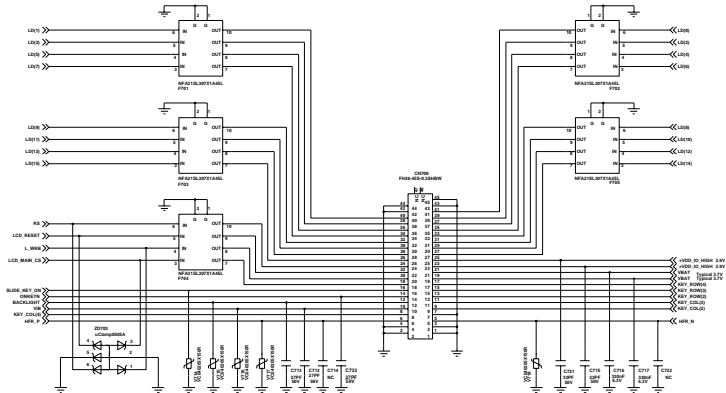
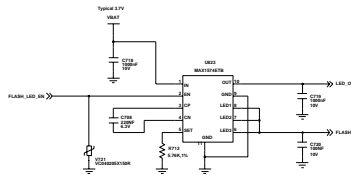
CAMERA_KEY



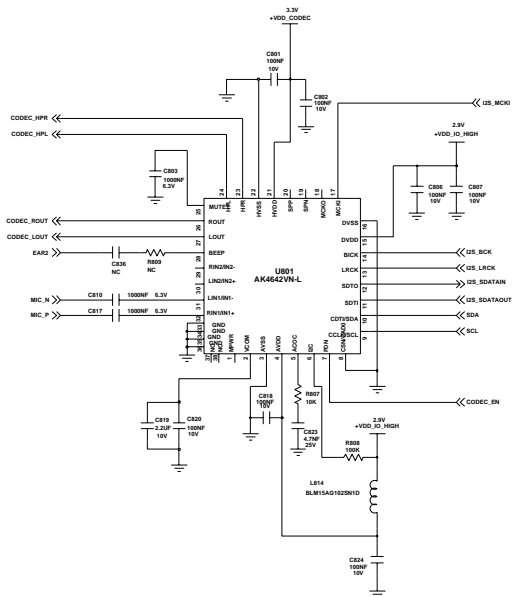
CAMERA



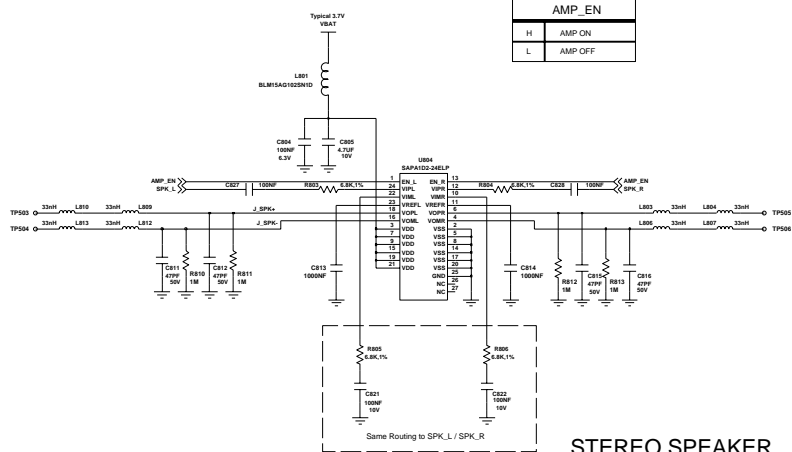
CAM FLASH



B'D CONNECTOR

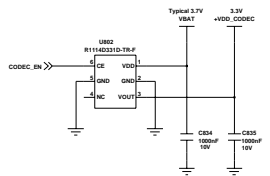


CODEC_EN	
H	CODEC ON
L	CODEC OFF



AMP_EN	
H	AMP ON
L	AMP OFF

STEREO SPEAKER



AUDIO_SEL	
H	MAIN - EARPHONE
	CODEC - LOUD SPK
L	CODEC - EARPHONE
	MAIN - LOUD SPK

