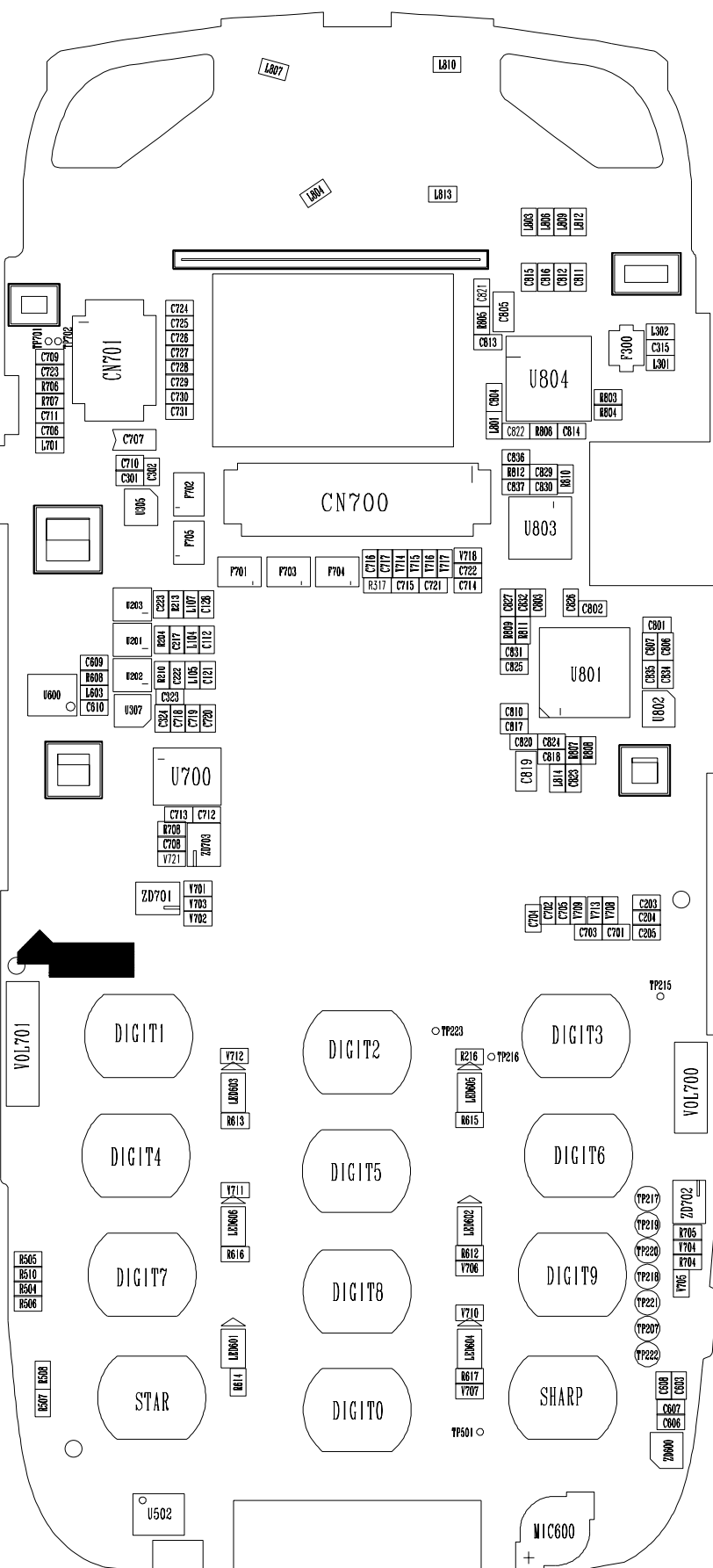
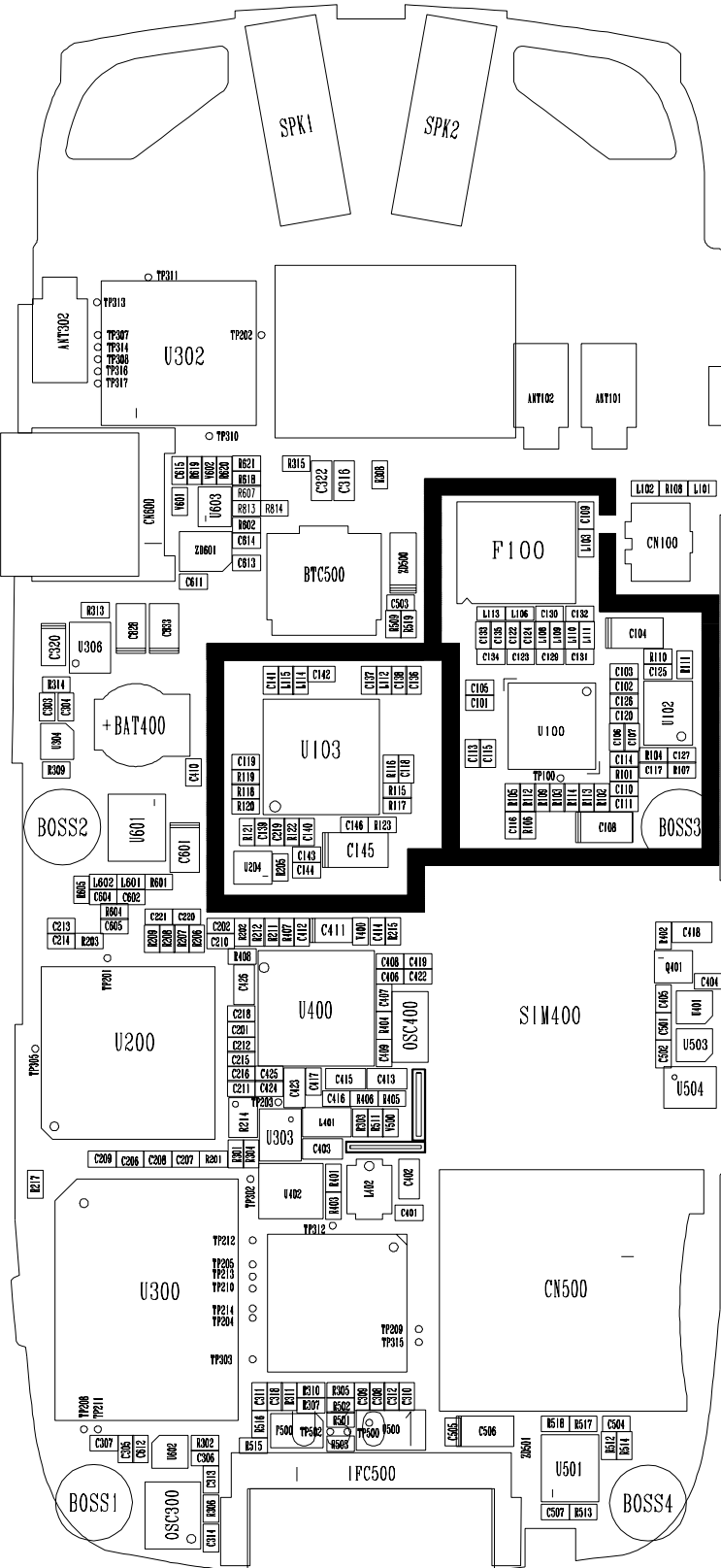
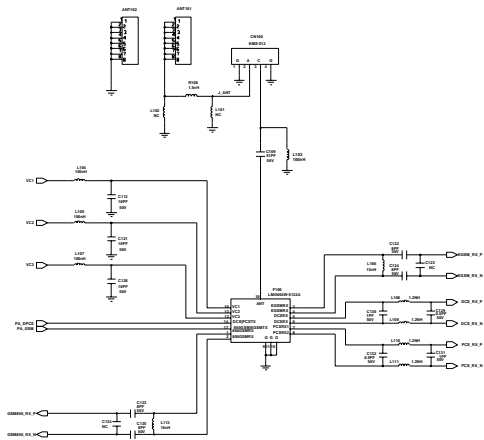


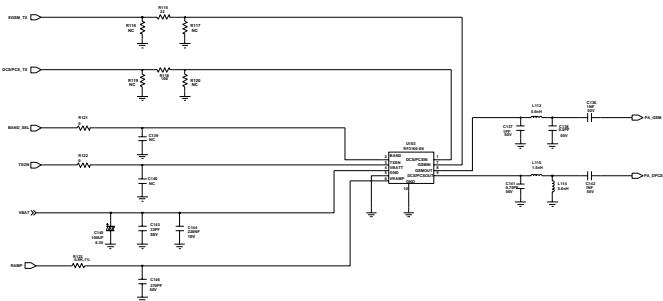
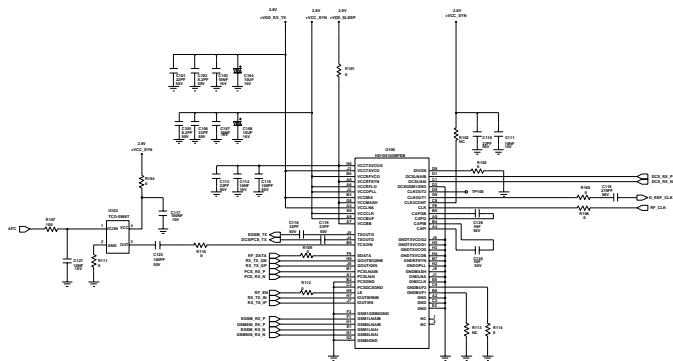
# SGH-D600 REV2.7 ASSY (COMP)

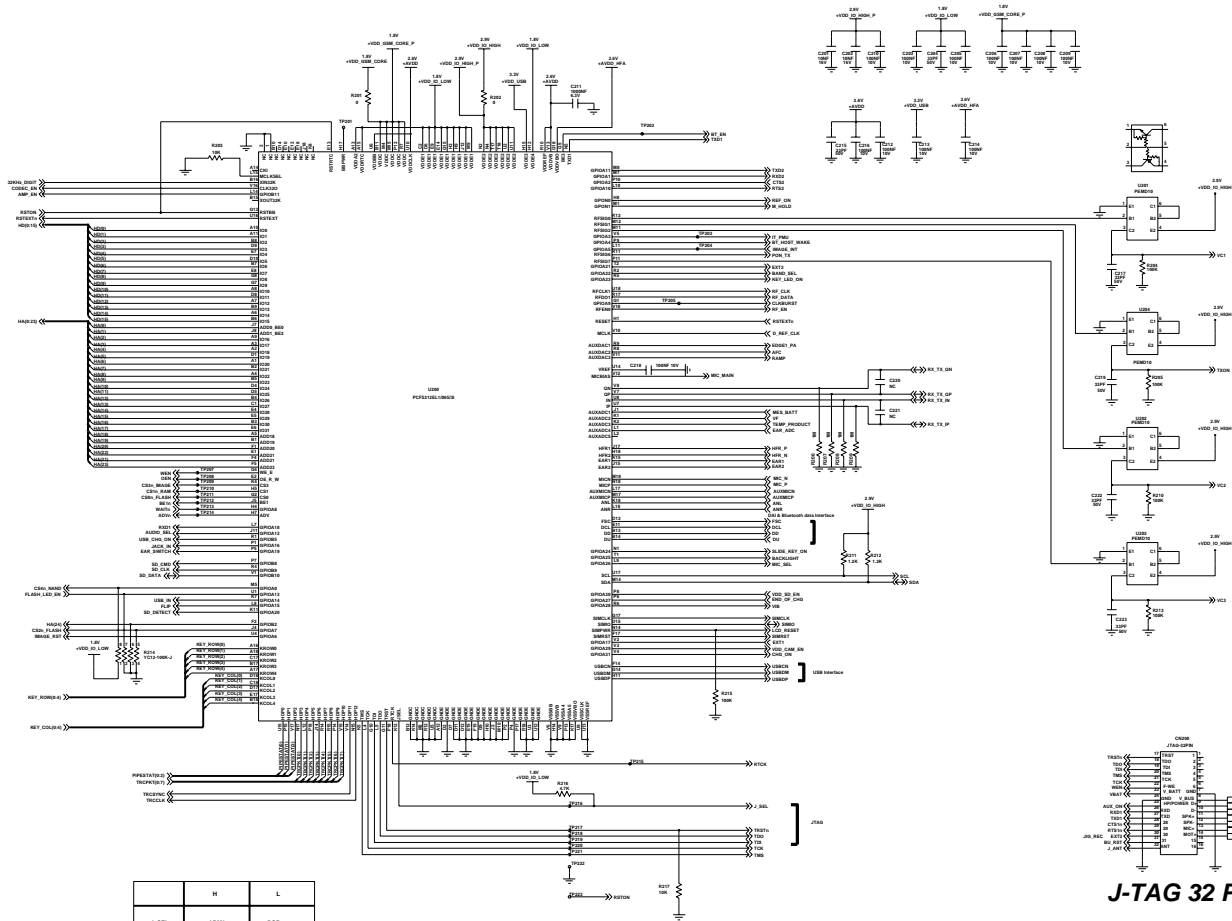






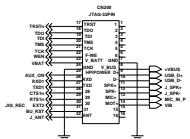
	VCC1	VCC2	VCC3
PA01	H	L	L
PA02	L	H	L
PA03	L	L	L
PA04	L	L	L
PA05	L	L	H

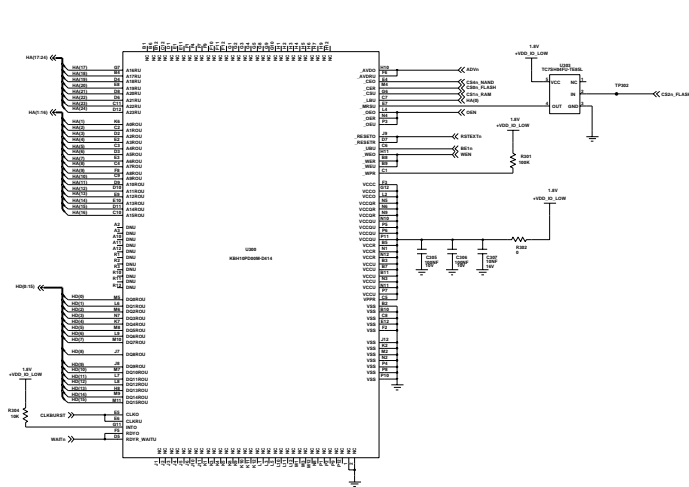




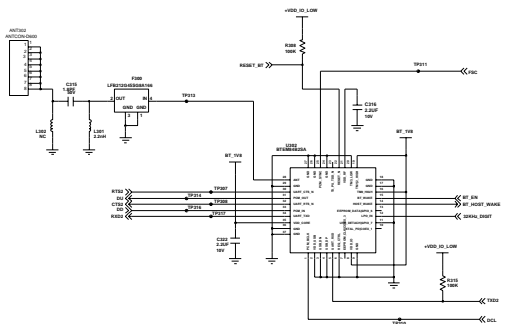
	H	L
J_SEL	ARM9	DSP
TEST	TRACE	NORMAL

### J-TAG 32 PINS

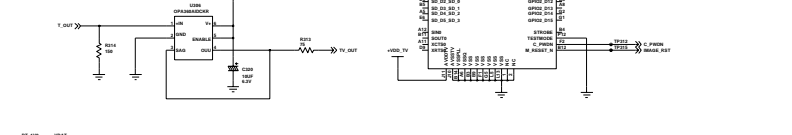
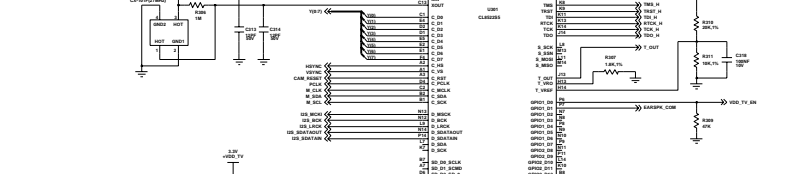
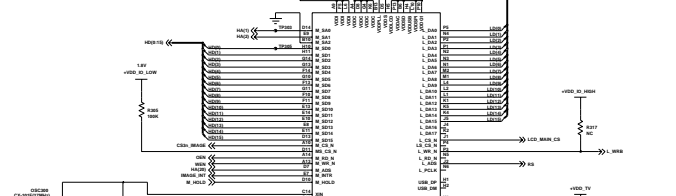
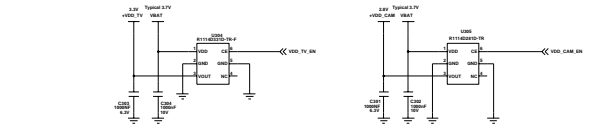




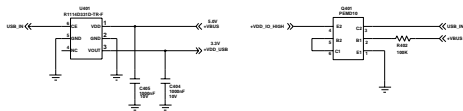
**MEMORY**  
(256M NOR x 1G NAND x 256M U1RAM)



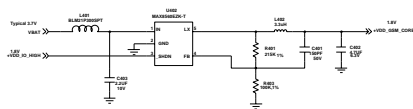
**BLUE TOOTH**



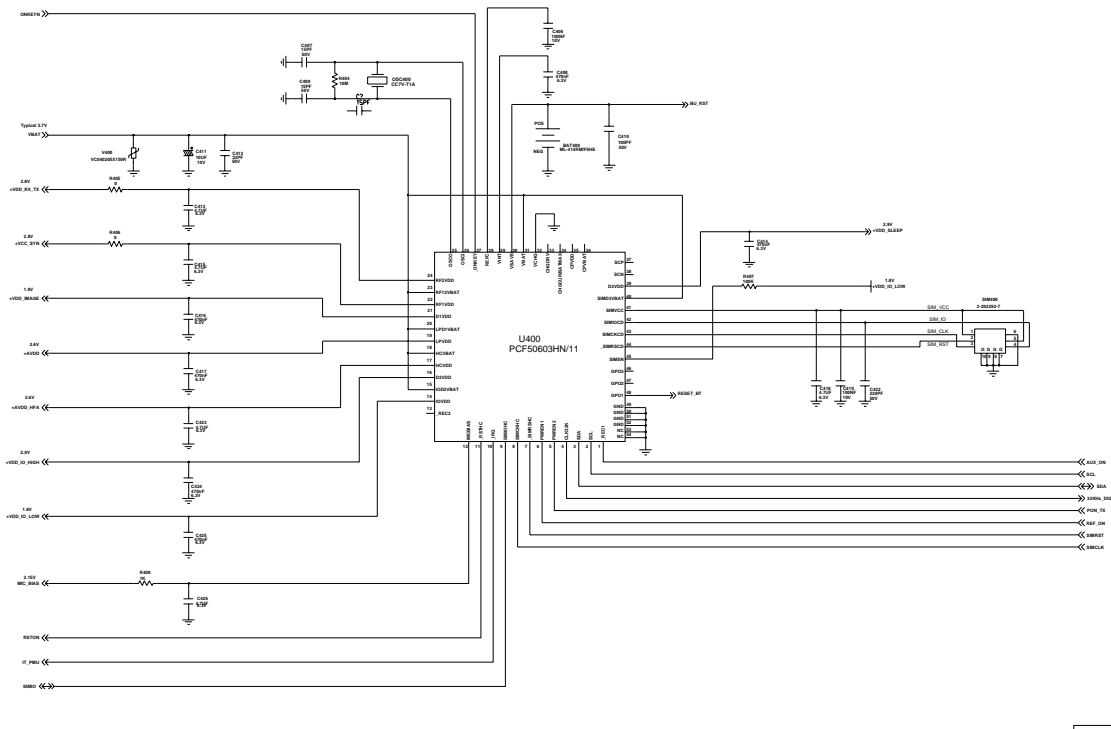
## LDO



## DC/DC Down Converter(1.875Volt)

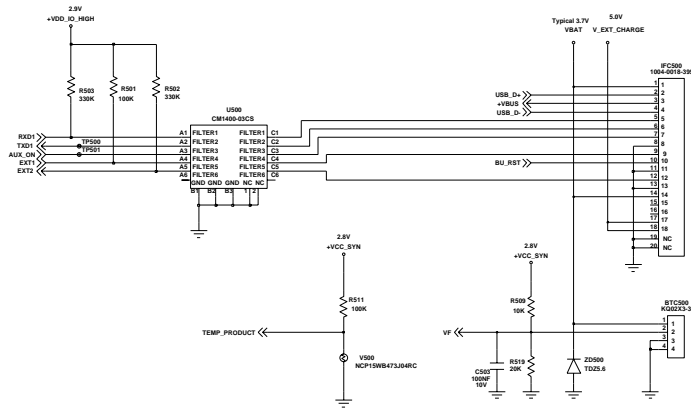


PCB\_HOLE

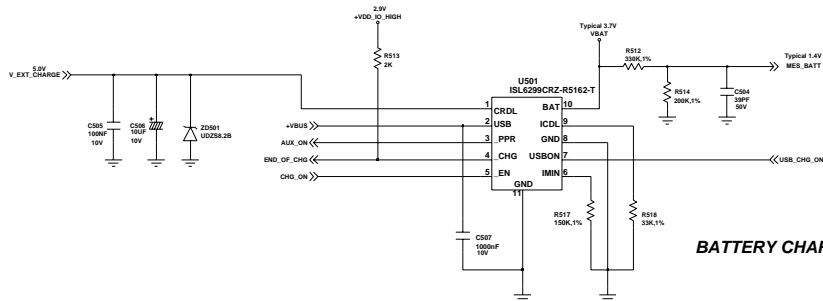


VDD_3V3	3.3V
VDD_1V8	1.8V
VDD_1V875	1.875V
VDD_1V8	1.8V
VDD_0V9	0.9V
VDD_0V8	0.8V
VDD_0V75	0.75V
VDD_0V7	0.7V
VDD_0V6	0.6V
VDD_0V5	0.5V
VDD_0V4	0.4V
VDD_0V3	0.3V
VDD_0V2	0.2V
VDD_0V1	0.1V
VDD_0V0	0V
VDD_0V	0V

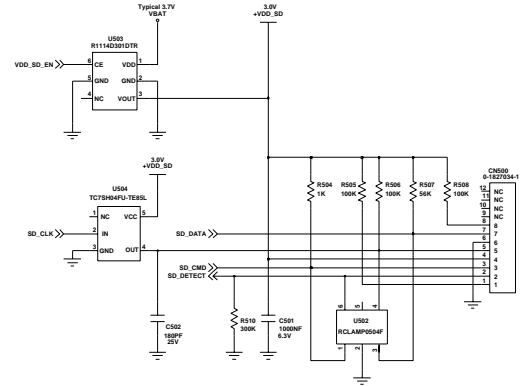
## Digital External Interface



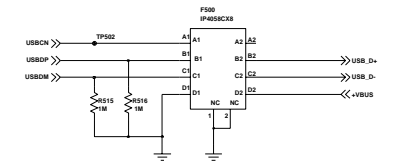
**THERMISTER**

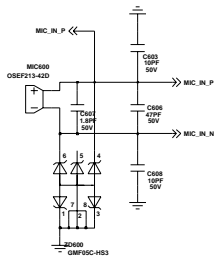


**BATTERY CHARGING**

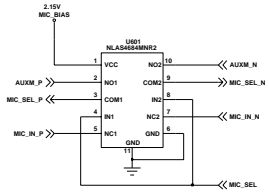


**T-FLASH**

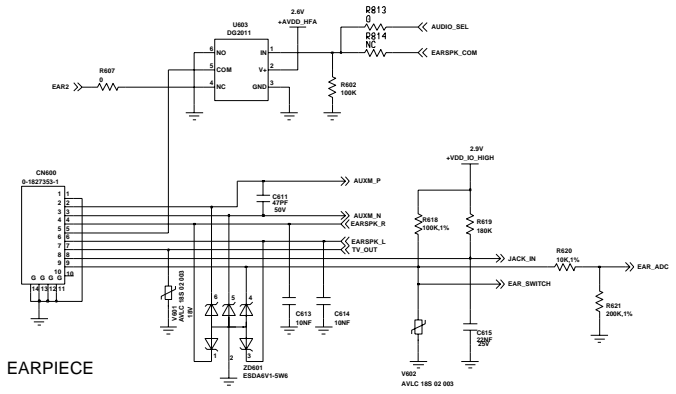
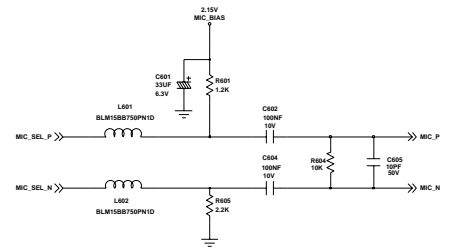




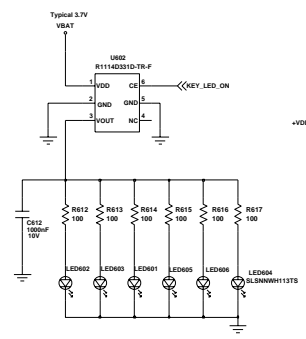
MICROPHONE



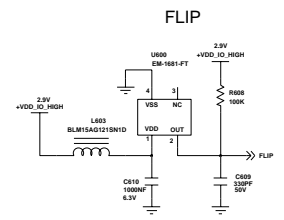
MIC_SEL	
H	EARPHONE MIC
L	MAIN MIC



EARPIECE



KEY\_LED

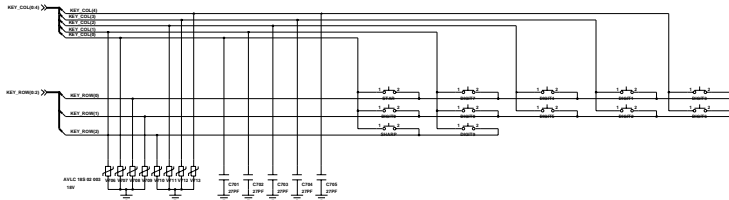


FLIP

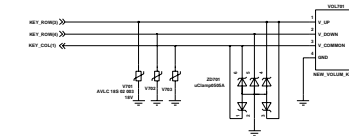
FLIP	
H	SLIDE UP
L	SLIDE DOWN



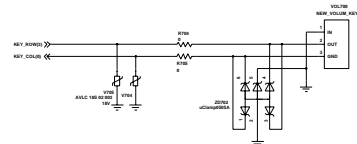
# KEY\_MAP



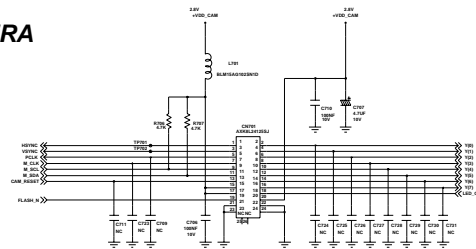
# VOLUME\_KEY



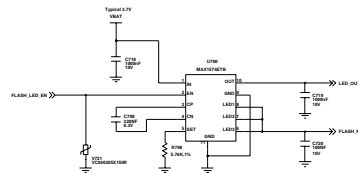
# CAMERA\_KEY



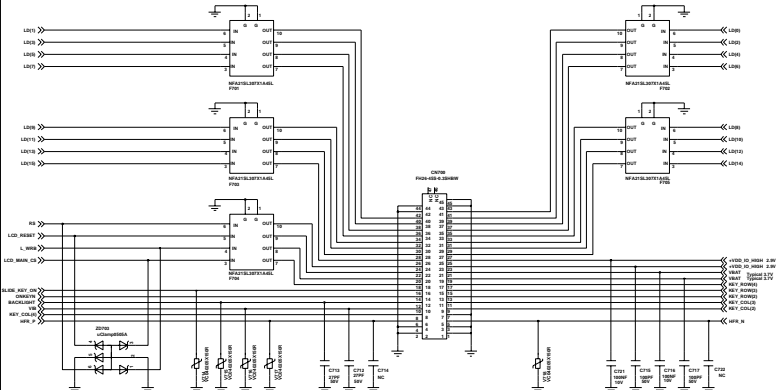
# CAMERA

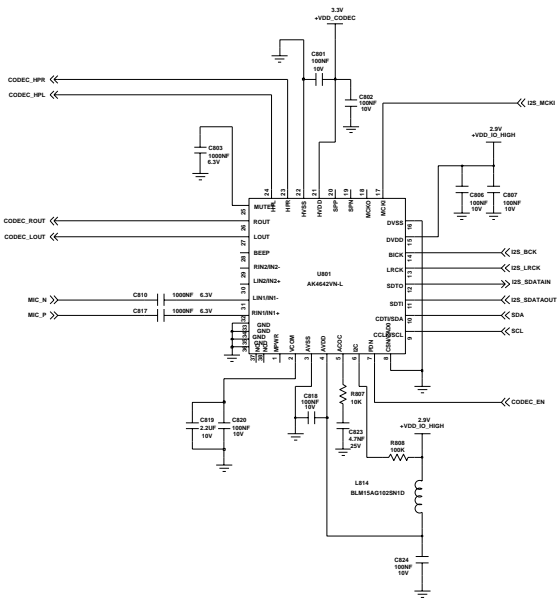


# CAM FLASH

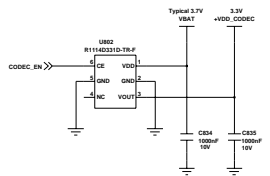


# B'D CONNECTOR

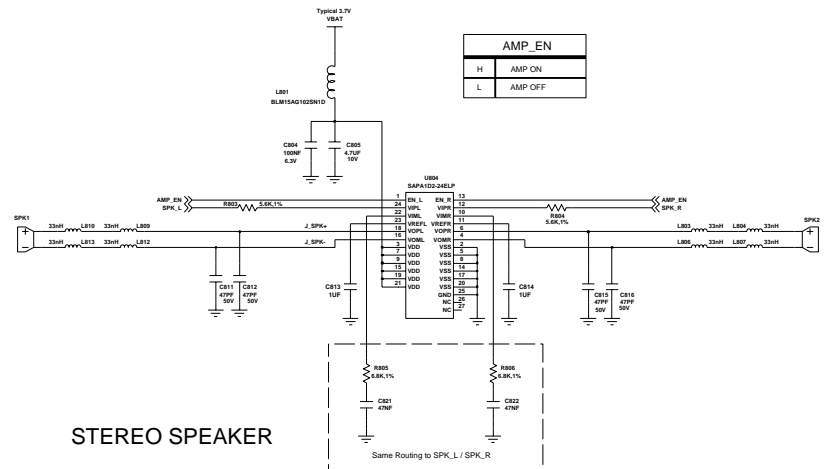




CODEC_EN	
H	CODEC ON
L	CODEC OFF



AUDIO_SEL	
H	MAIN - EARPHONE
	CODEC - LOUD SPK
L	CODEC - EARPHONE
	MAIN - LOUD SPK



### STEREO SPEAKER

