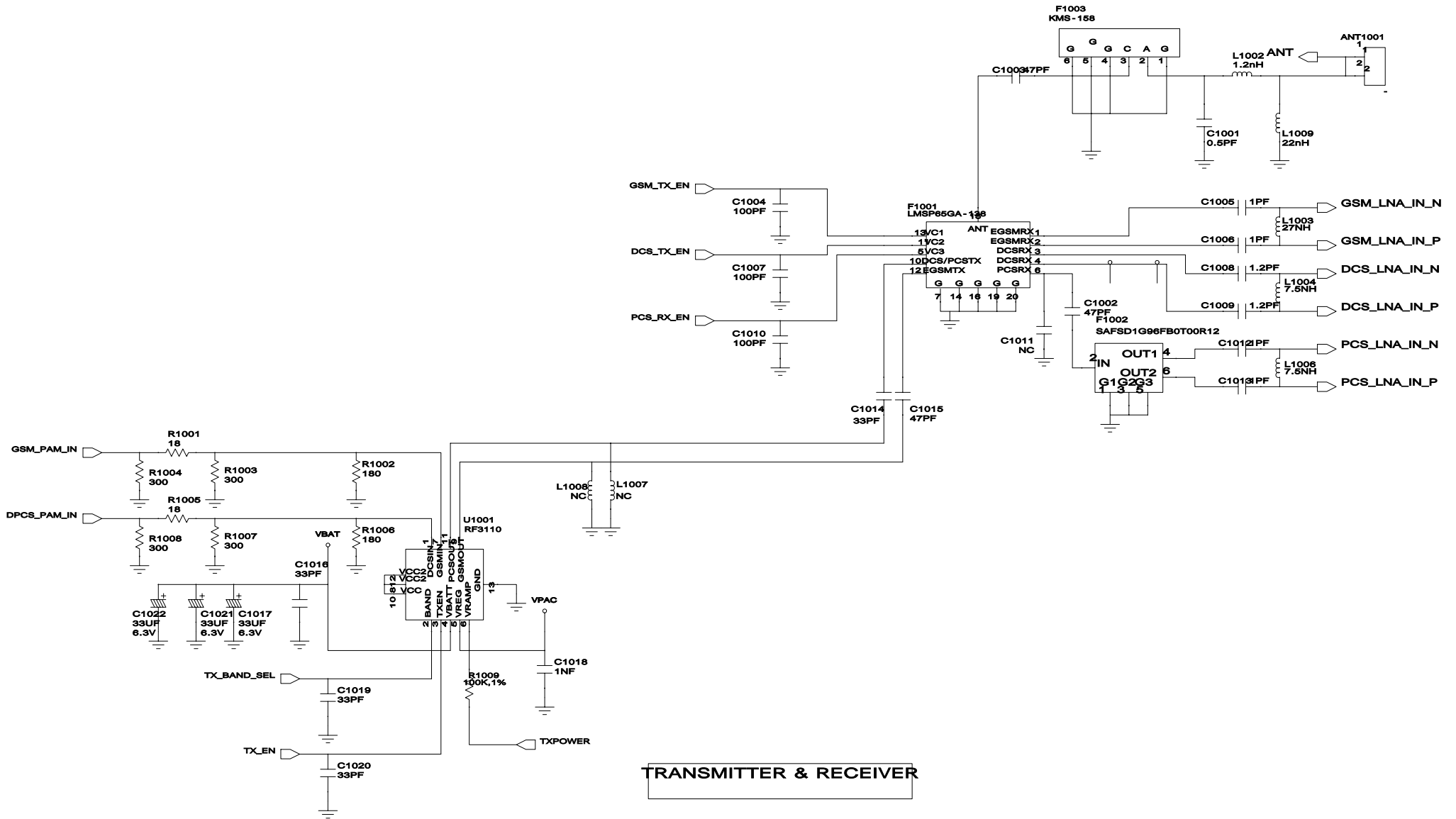


**POWER**

|              |              |      |  |
|--------------|--------------|------|--|
| Engineer     | COMPANY NAME |      |  |
| Drawn by     | Address      |      |  |
| R&D CHK      | City         |      |  |
| DOC CTRL CHK | TITLE:       | Size |  |
| MFG ENGR CHK |              |      |  |

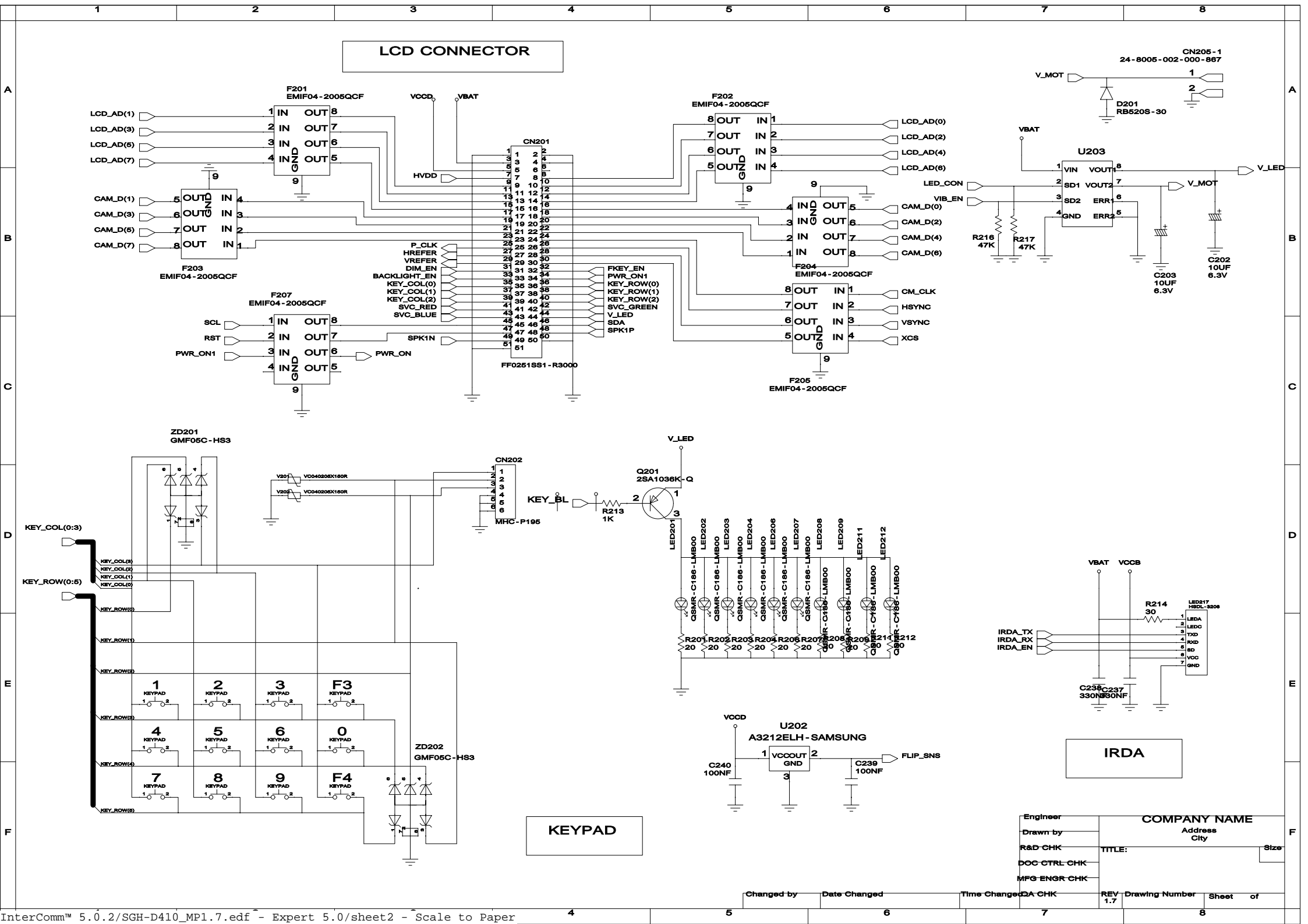
|            |              |              |        |         |                |       |    |
|------------|--------------|--------------|--------|---------|----------------|-------|----|
| Changed by | Date Changed | Time Changed | QA CHK | REV 1.7 | Drawing Number | Sheet | of |
|------------|--------------|--------------|--------|---------|----------------|-------|----|



**TRANSMITTER & RECEIVER**

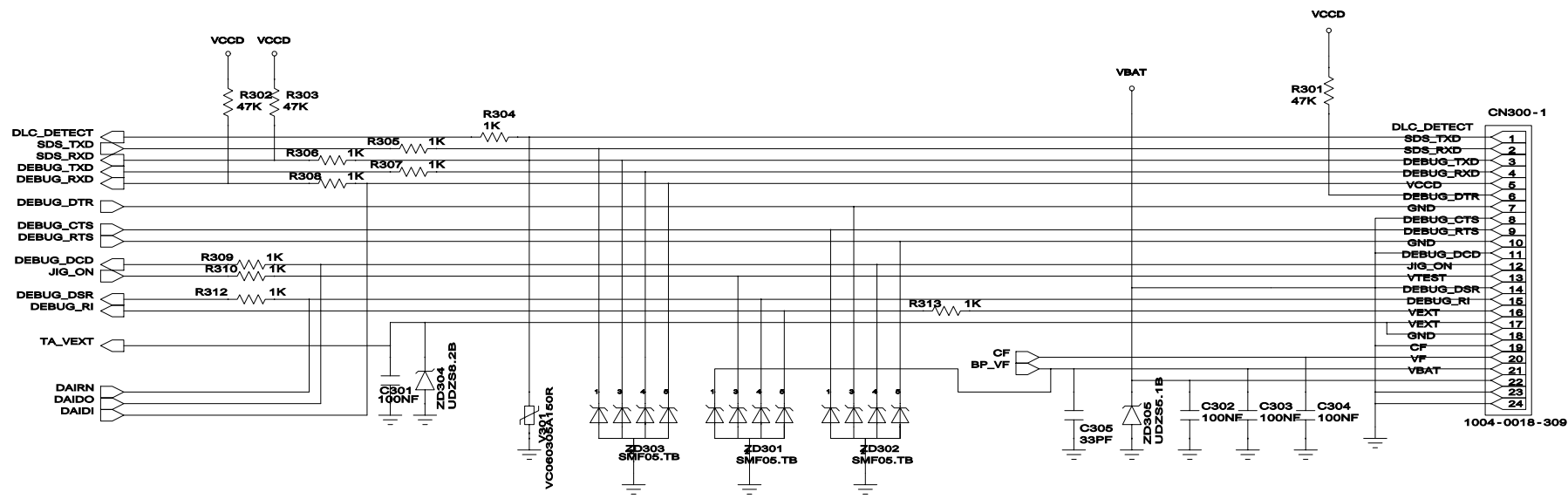
|              |              |  |      |
|--------------|--------------|--|------|
| Engineer     | COMPANY NAME |  |      |
| Drawn by     | Address      |  |      |
| R&D CHK      | City         |  |      |
| DOC CTRL CHK | TITLE:       |  | Size |
| MFG ENGR CHK |              |  |      |

|            |              |              |        |         |                |       |    |
|------------|--------------|--------------|--------|---------|----------------|-------|----|
| Changed by | Date Changed | Time Changed | QA CHK | REV 1.7 | Drawing Number | Sheet | of |
|------------|--------------|--------------|--------|---------|----------------|-------|----|



|              |              |  |      |
|--------------|--------------|--|------|
| Engineer     | COMPANY NAME |  |      |
| Drawn by     | Address      |  |      |
| R&D CHK      | City         |  |      |
| DOC CTRL CHK | TITLE:       |  | Size |
| MFG ENGR CHK |              |  |      |

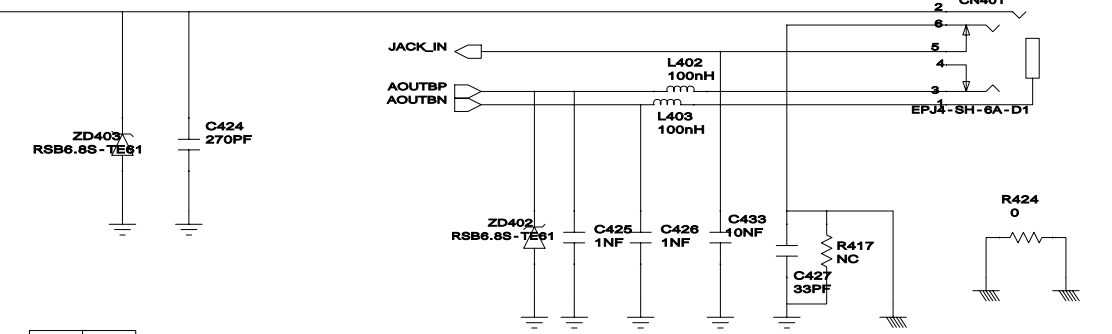
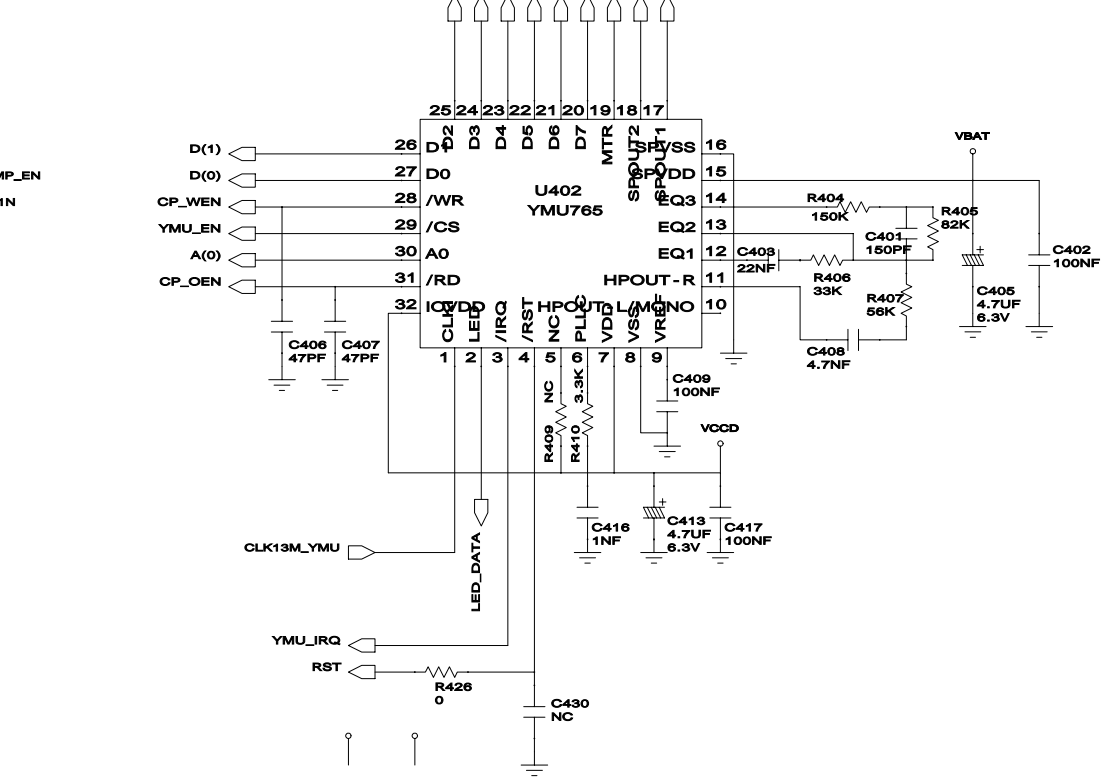
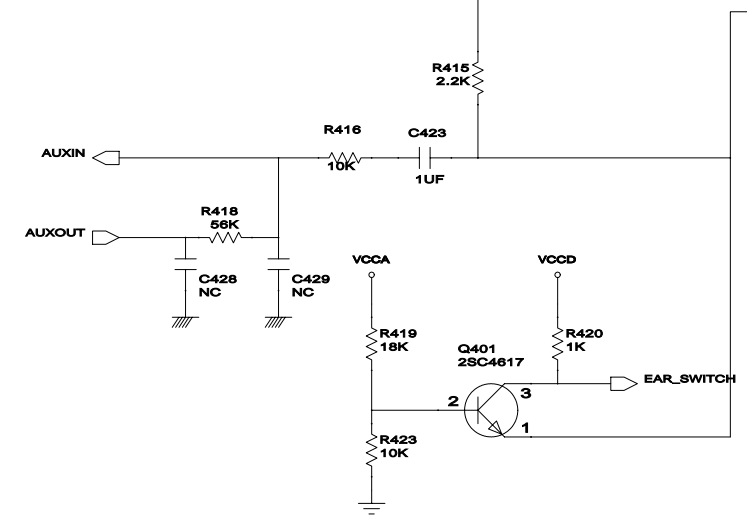
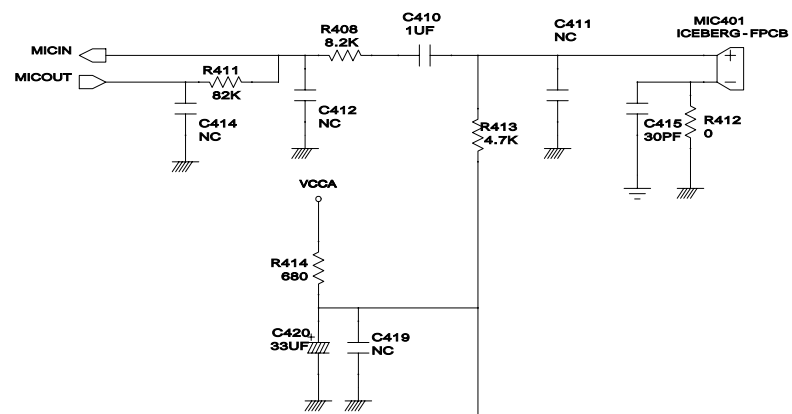
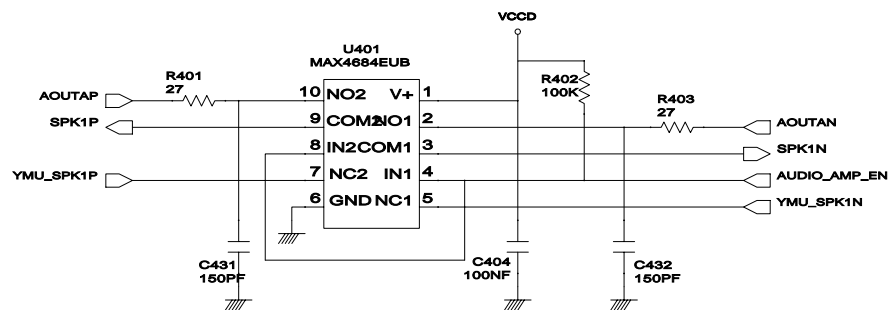
|            |              |              |        |         |                |       |    |
|------------|--------------|--------------|--------|---------|----------------|-------|----|
| Changed by | Date Changed | Time Changed | QA CHK | REV 1.7 | Drawing Number | Sheet | of |
|------------|--------------|--------------|--------|---------|----------------|-------|----|



I/F CONNECTOR

|              |              |  |      |
|--------------|--------------|--|------|
| Engineer     | COMPANY NAME |  |      |
| Drawn by     | Address      |  | Size |
| R&D CHK      | City         |  |      |
| DOC CTRL CHK | TITLE:       |  |      |
| MPG ENGR CHK |              |  |      |

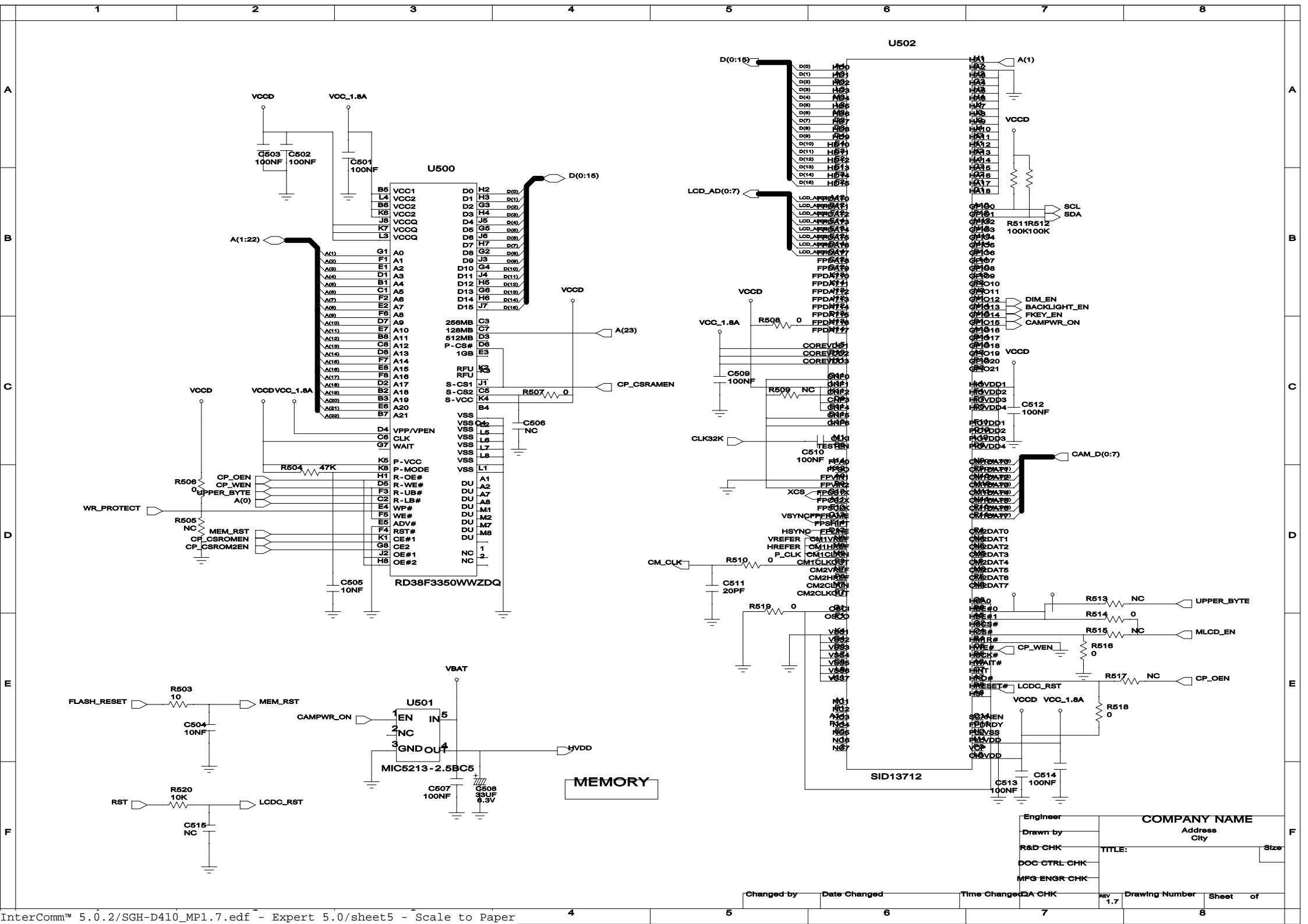
|            |              |              |        |         |                |          |
|------------|--------------|--------------|--------|---------|----------------|----------|
| Changed by | Date Changed | Time Changed | QA CHK | REV 1.7 | Drawing Number | Sheet of |
|------------|--------------|--------------|--------|---------|----------------|----------|



**AUDIO**

|              |              |      |  |
|--------------|--------------|------|--|
| Engineer     | COMPANY NAME |      |  |
| Drawn by     | Address      |      |  |
| R&D CHK      | City         |      |  |
| DOC CTRL CHK | TITLE:       | Size |  |
| MPG ENGR CHK |              |      |  |

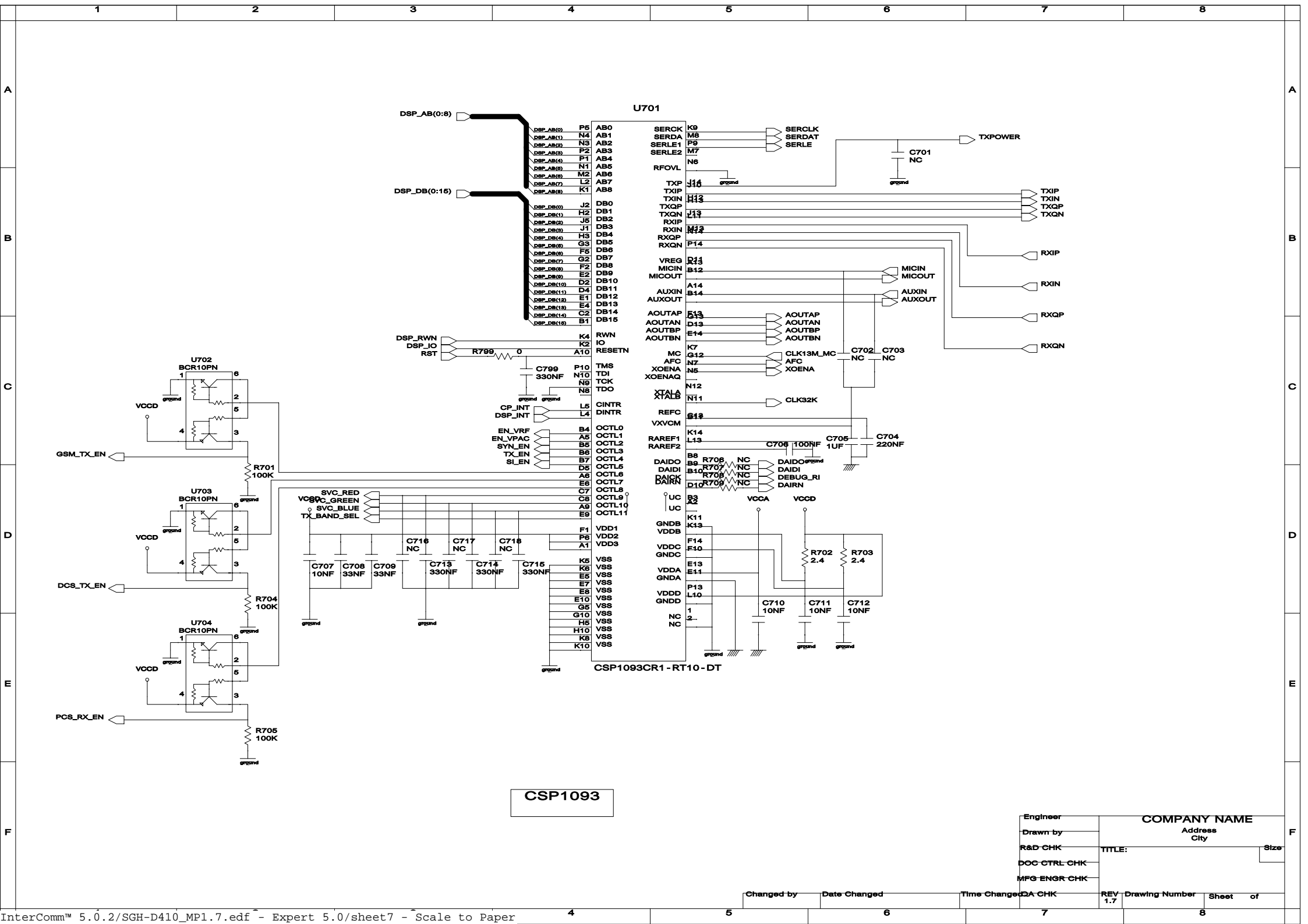
|            |              |              |        |         |                |          |
|------------|--------------|--------------|--------|---------|----------------|----------|
| Changed by | Date Changed | Time Changed | QA CHK | REV 1.7 | Drawing Number | Sheet of |
|------------|--------------|--------------|--------|---------|----------------|----------|



|              |              |      |
|--------------|--------------|------|
| Engineer     | COMPANY NAME |      |
| Drawn by     | Address      |      |
| R&D CHK      | City         |      |
| DOC CTRL CHK | TITLE:       | Size |
| MFG ENGR CHK |              |      |

|            |              |              |        |         |                |          |
|------------|--------------|--------------|--------|---------|----------------|----------|
| Changed by | Date Changed | Time Changed | DA CHK | REV 1.7 | Drawing Number | Sheet of |
|------------|--------------|--------------|--------|---------|----------------|----------|



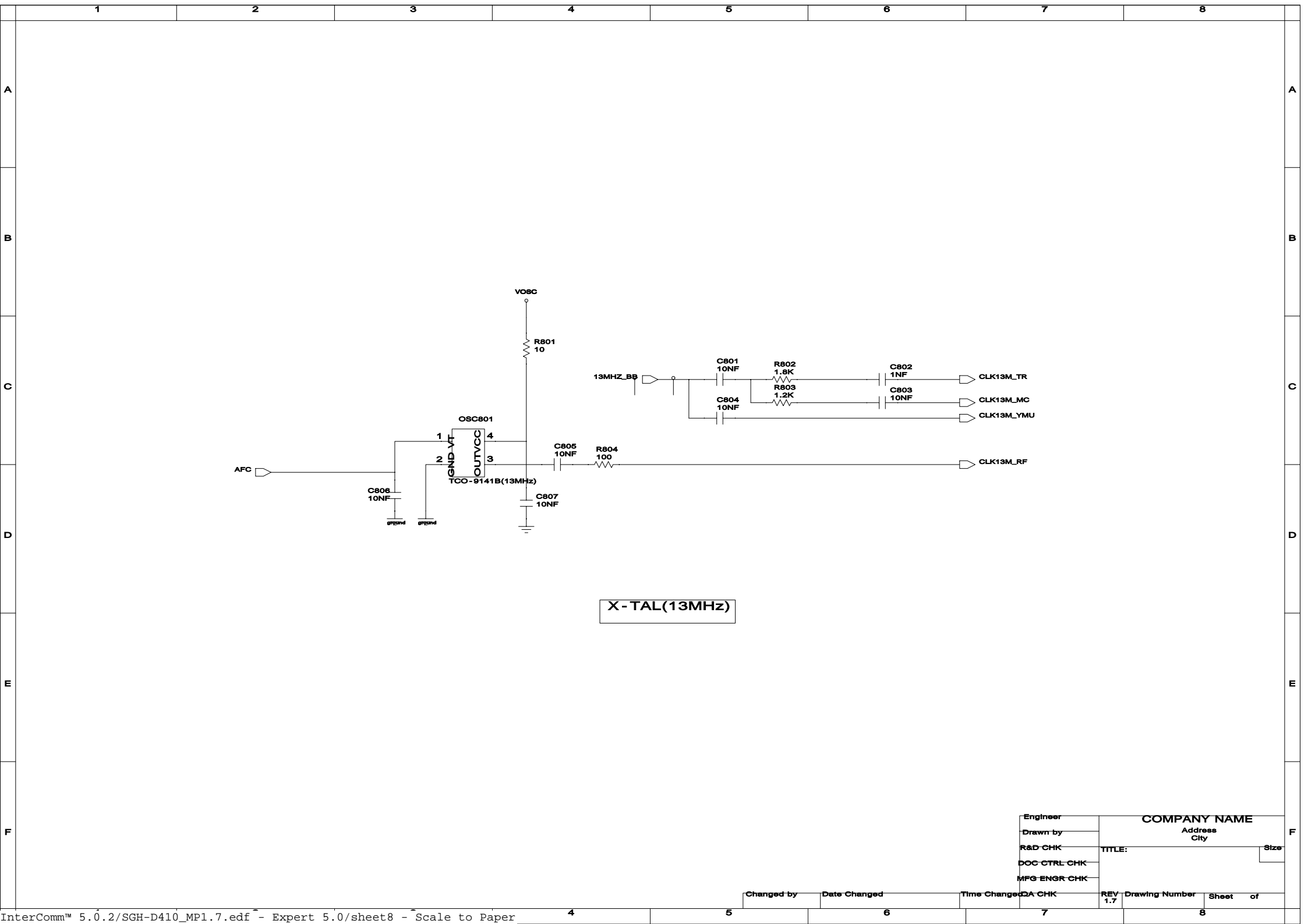


CSP1093

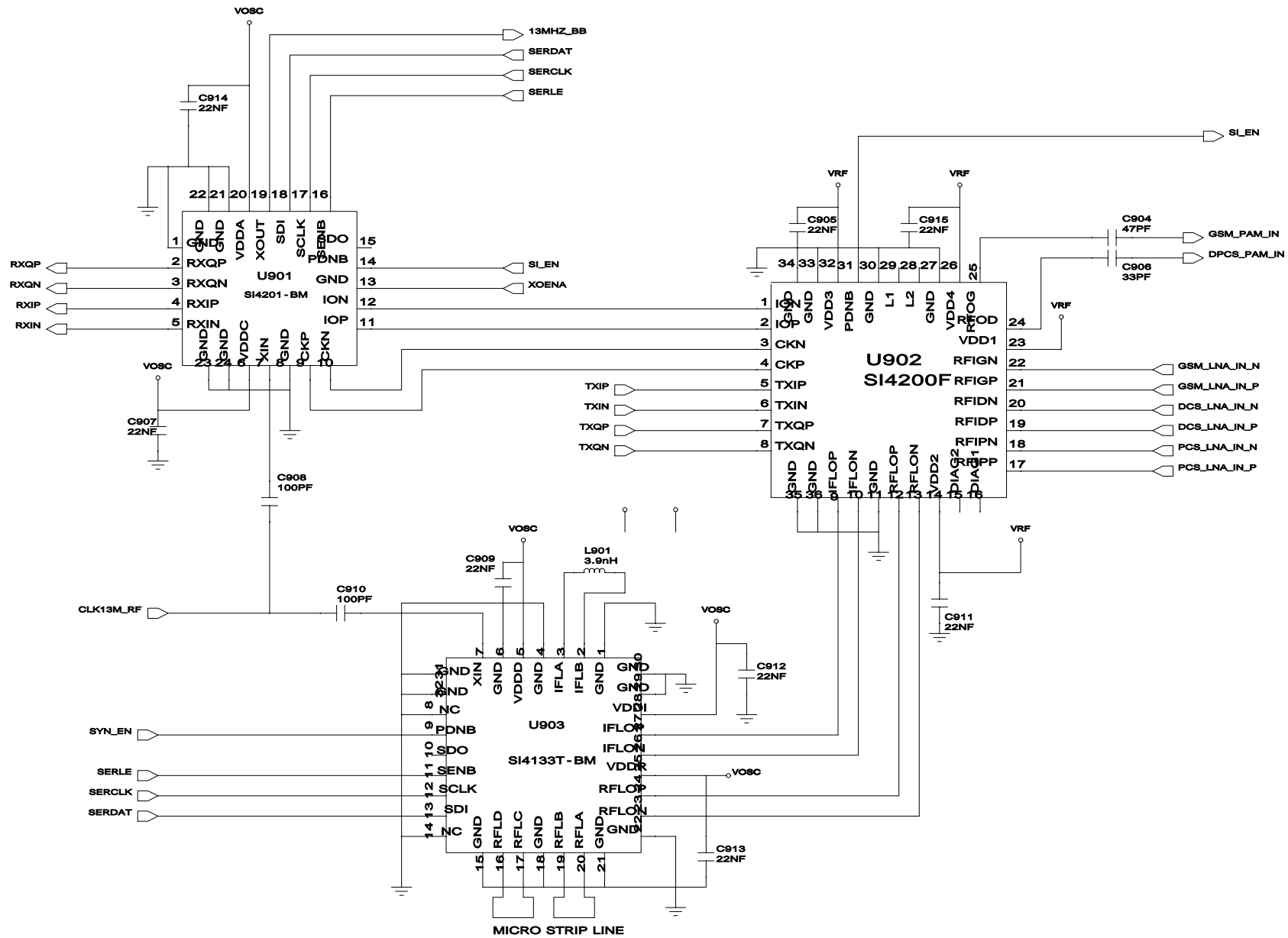
|              |              |  |      |
|--------------|--------------|--|------|
| Engineer     | COMPANY NAME |  |      |
| Drawn by     | Address      |  |      |
| R&D CHK      | City         |  |      |
| DOC CTRL CHK | TITLE:       |  | Size |
| MFG ENGR CHK |              |  |      |

|            |              |              |        |     |                |       |    |
|------------|--------------|--------------|--------|-----|----------------|-------|----|
| Changed by | Date Changed | Time Changed | QA CHK | REV | Drawing Number | Sheet | of |
|            |              |              |        | 1.7 |                |       |    |





|              |                |              |        |
|--------------|----------------|--------------|--------|
| Engineer     | COMPANY NAME   |              |        |
| Drawn by     | Address        |              |        |
| R&D CHK      | City           |              |        |
| DOC CTRL CHK | TITLE:         | Size         |        |
| MFG ENGR CHK |                |              |        |
| Changed by   | Date Changed   | Time Changed | QA CHK |
| REV 1.7      | Drawing Number | Sheet        | of     |



SI-LAB

|              |              |  |      |
|--------------|--------------|--|------|
| Engineer     | COMPANY NAME |  |      |
| Drawn by     | Address      |  | Size |
| R&D CHK      | City         |  |      |
| DOC CTRL CHK | TITLE:       |  |      |
| MFG ENGR CHK |              |  |      |

|            |              |              |        |         |                |       |    |
|------------|--------------|--------------|--------|---------|----------------|-------|----|
| Changed by | Date Changed | Time Changed | QA CHK | REV 1.7 | Drawing Number | Sheet | of |
|------------|--------------|--------------|--------|---------|----------------|-------|----|