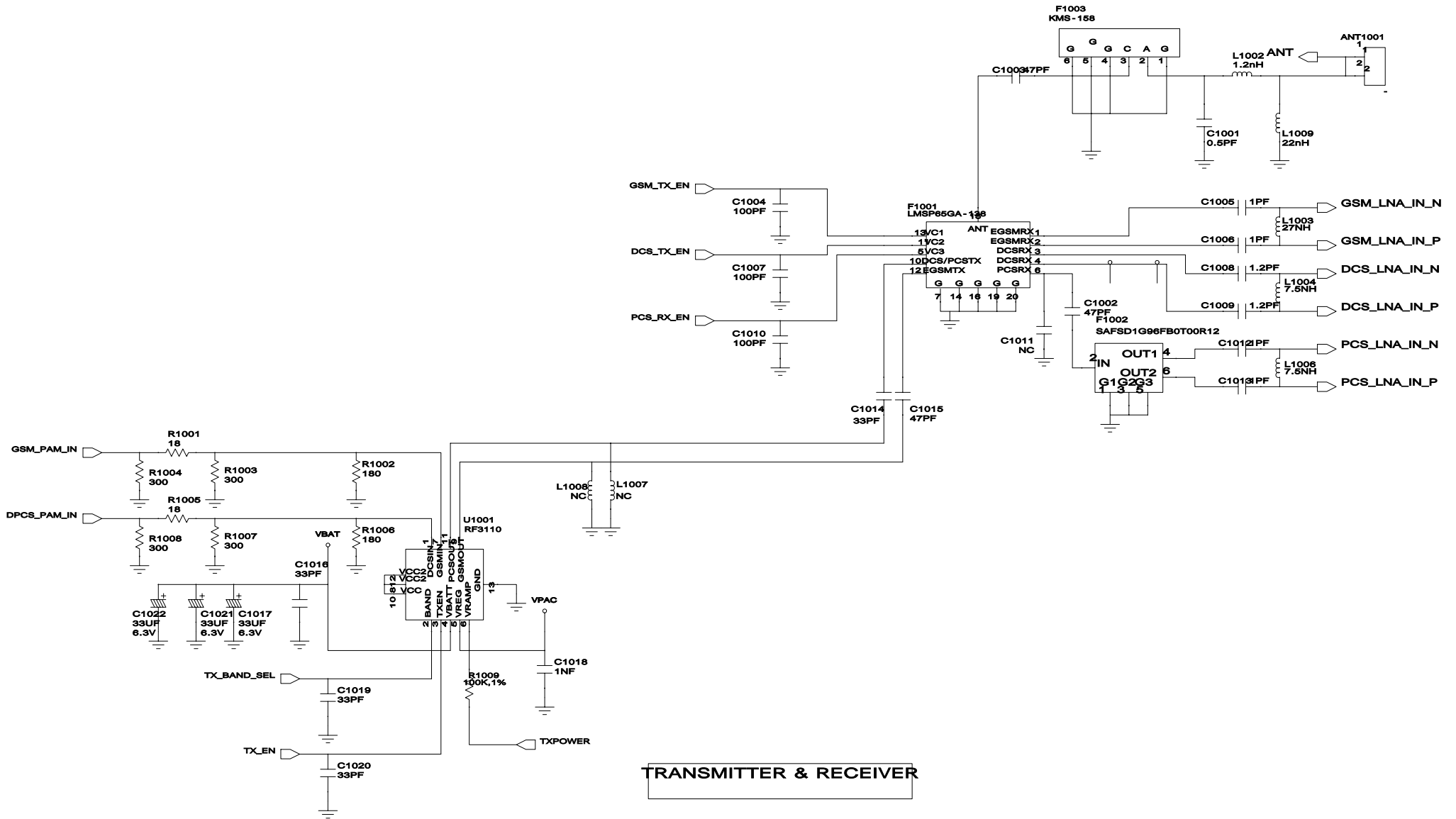


POWER

| | | | |
|--------------|--------------|------|--|
| Engineer | COMPANY NAME | | |
| Drawn by | Address | | |
| R&D CHK | City | | |
| DOC CTRL CHK | TITLE: | Size | |
| MFG ENGR CHK | | | |

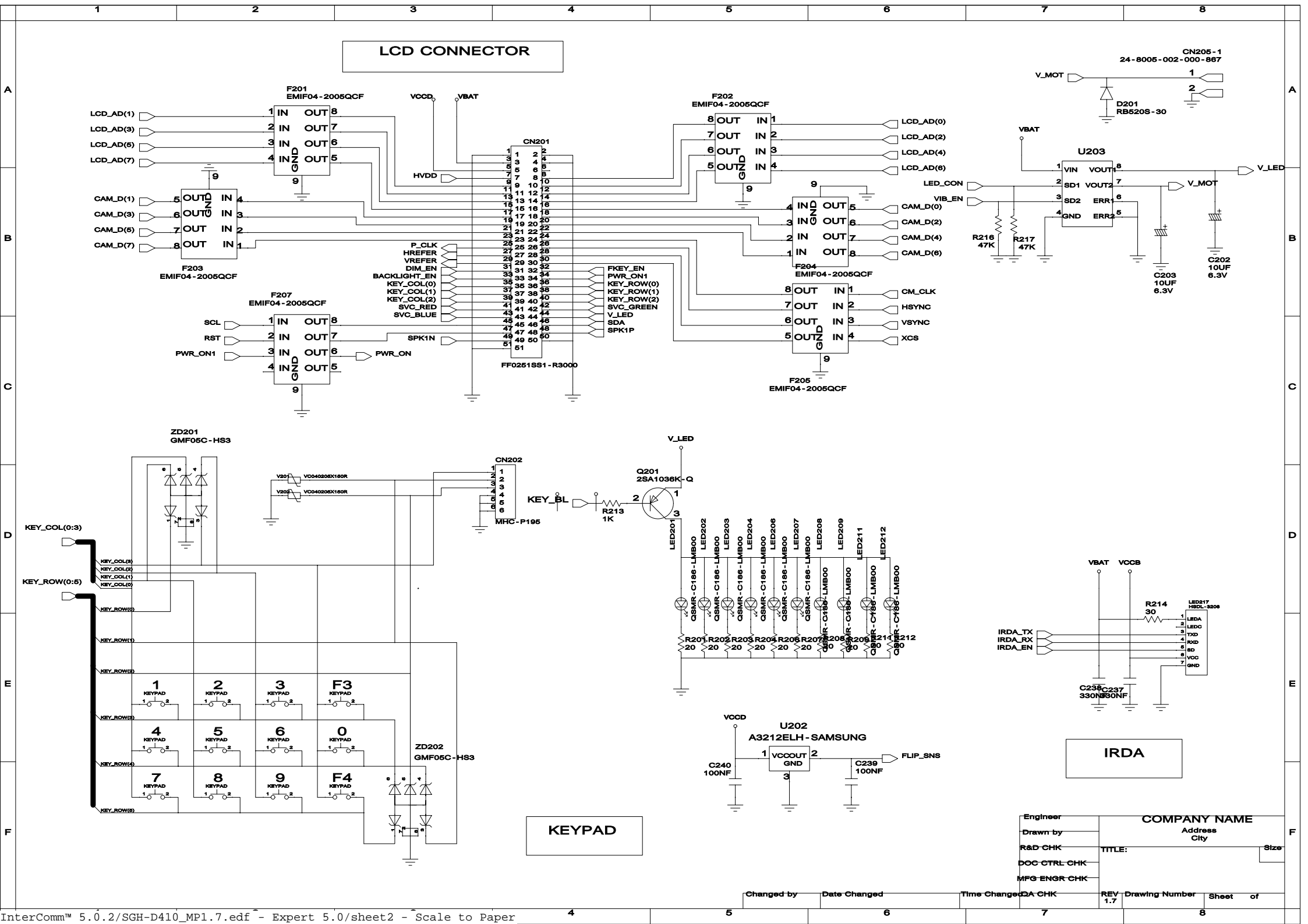
| | | | | | | | |
|------------|--------------|--------------|--------|---------|----------------|-------|----|
| Changed by | Date Changed | Time Changed | QA CHK | REV 1.7 | Drawing Number | Sheet | of |
|------------|--------------|--------------|--------|---------|----------------|-------|----|



TRANSMITTER & RECEIVER

| | | | |
|--------------|---------------------|--|------|
| Engineer | COMPANY NAME | | |
| Drawn by | Address | | |
| R&D CHK | City | | |
| DOC CTRL CHK | TITLE: | | Size |
| MFG ENGR CHK | | | |

| | | | | | | |
|------------|--------------|--------------|--------|-----|----------------|----------|
| Changed by | Date Changed | Time Changed | QA CHK | REV | Drawing Number | Sheet of |
|------------|--------------|--------------|--------|-----|----------------|----------|



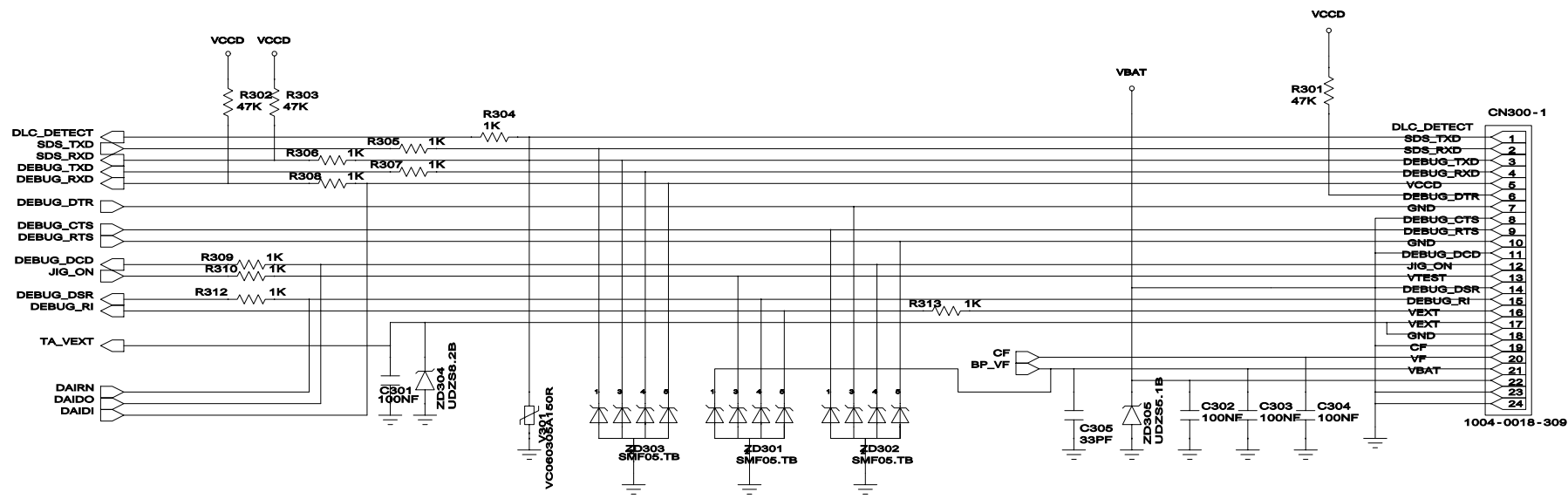
LCD CONNECTOR

IRDA

KEYPAD

| | | | |
|--------------|--------------|--|------|
| Engineer | COMPANY NAME | | |
| Drawn by | Address | | |
| R&D CHK | City | | |
| DOC CTRL CHK | TITLE: | | Size |
| MFG ENGR CHK | | | |

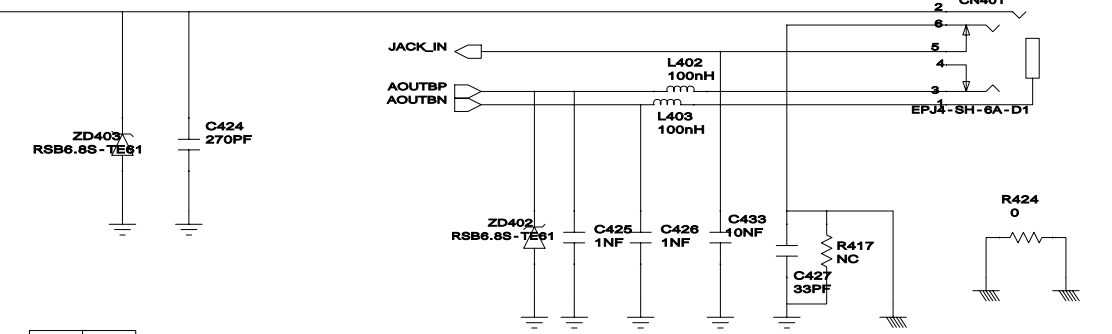
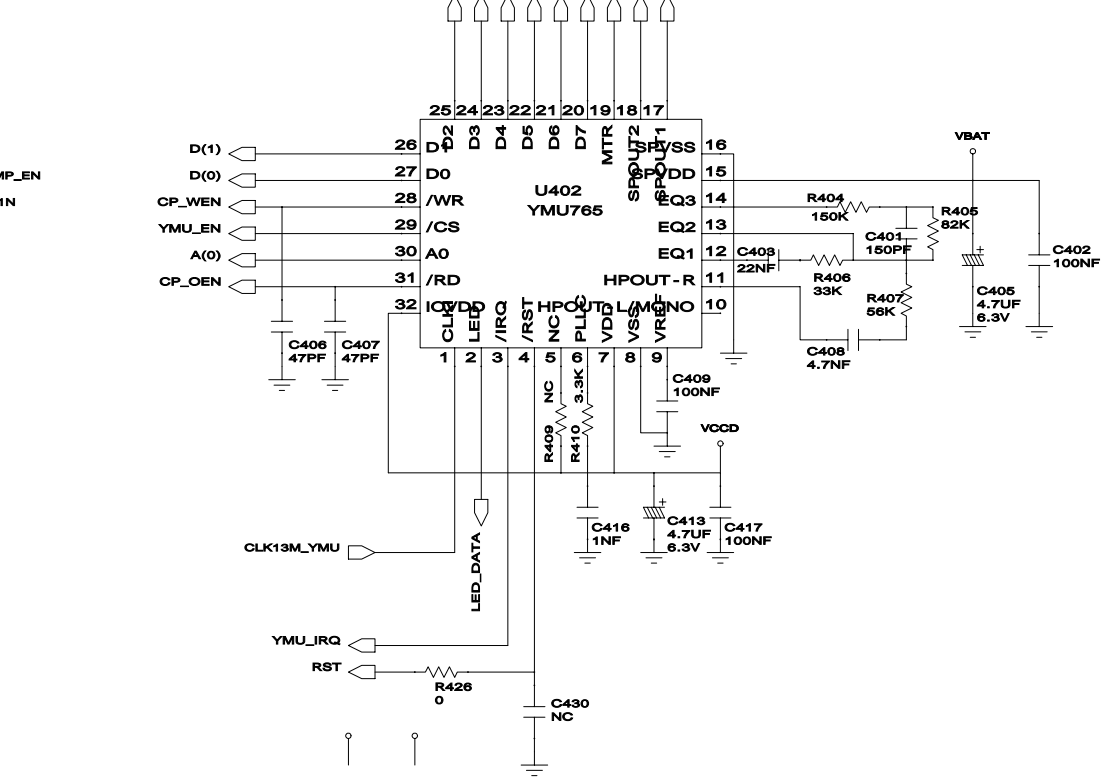
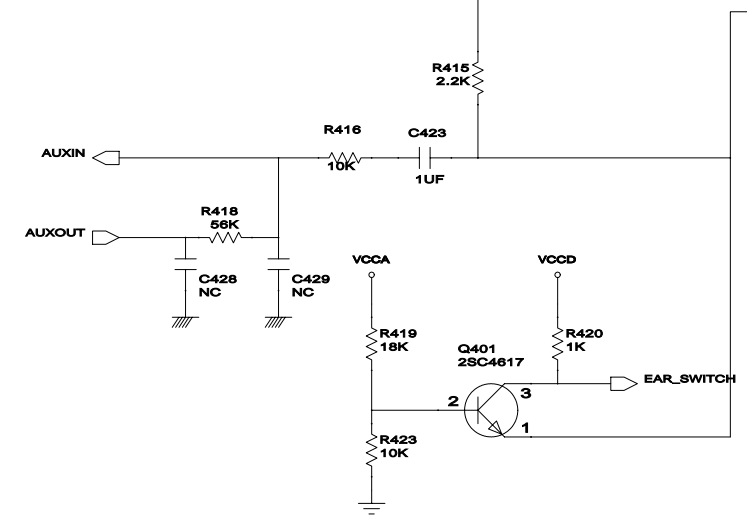
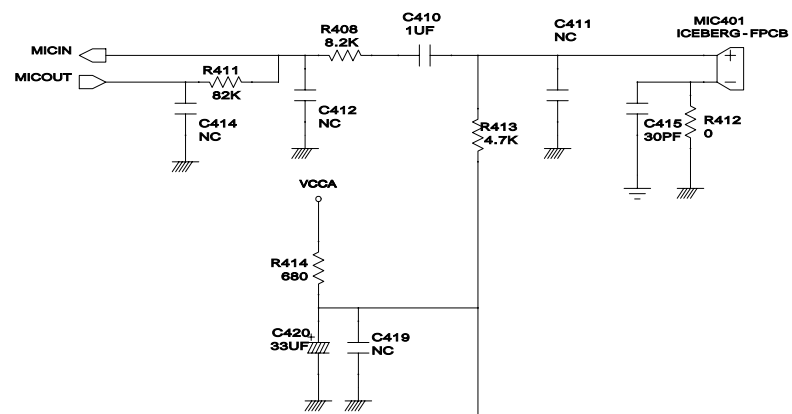
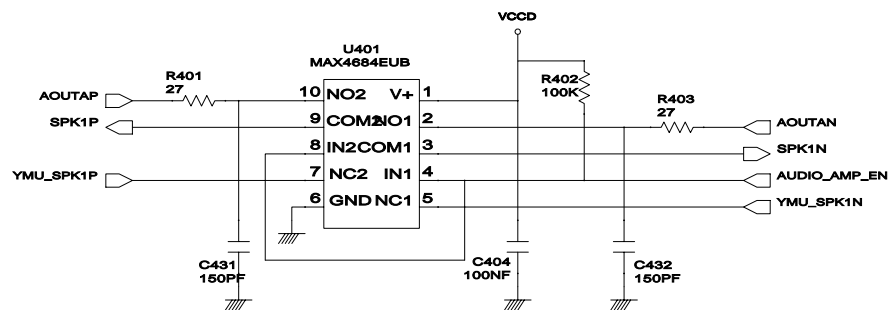
| | | | | | | | |
|------------|--------------|--------------|--------|---------|----------------|-------|----|
| Changed by | Date Changed | Time Changed | QA CHK | REV 1.7 | Drawing Number | Sheet | of |
|------------|--------------|--------------|--------|---------|----------------|-------|----|



I/F CONNECTOR

| | | | |
|--------------|--------------|--|------|
| Engineer | COMPANY NAME | | |
| Drawn by | Address | | Size |
| R&D CHK | City | | |
| DOC CTRL CHK | TITLE: | | |
| MPG ENGR CHK | | | |

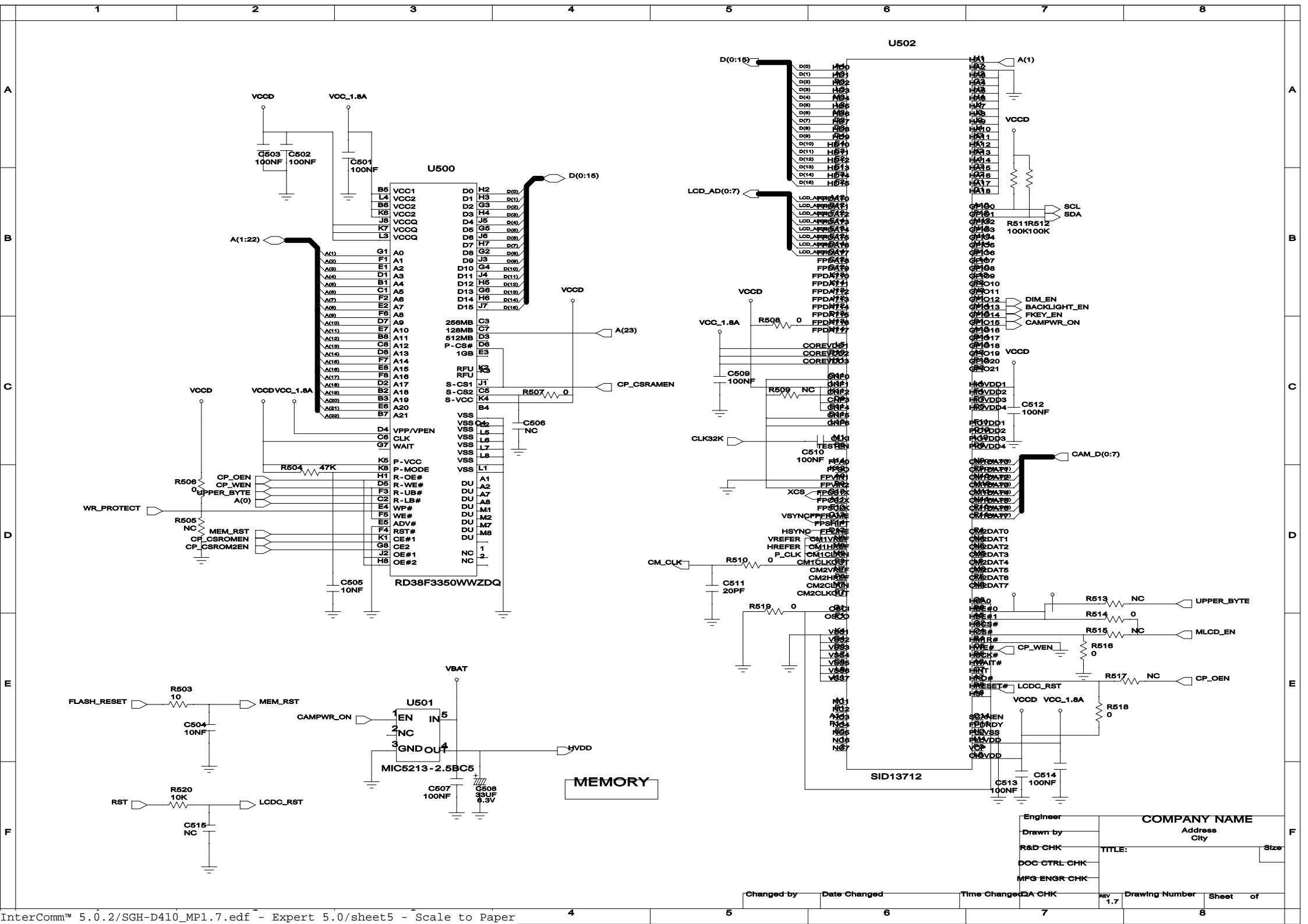
| | | | | | | | |
|------------|--------------|--------------|--------|---------|----------------|-------|----|
| Changed by | Date Changed | Time Changed | QA CHK | REV 1.7 | Drawing Number | Sheet | of |
|------------|--------------|--------------|--------|---------|----------------|-------|----|



AUDIO

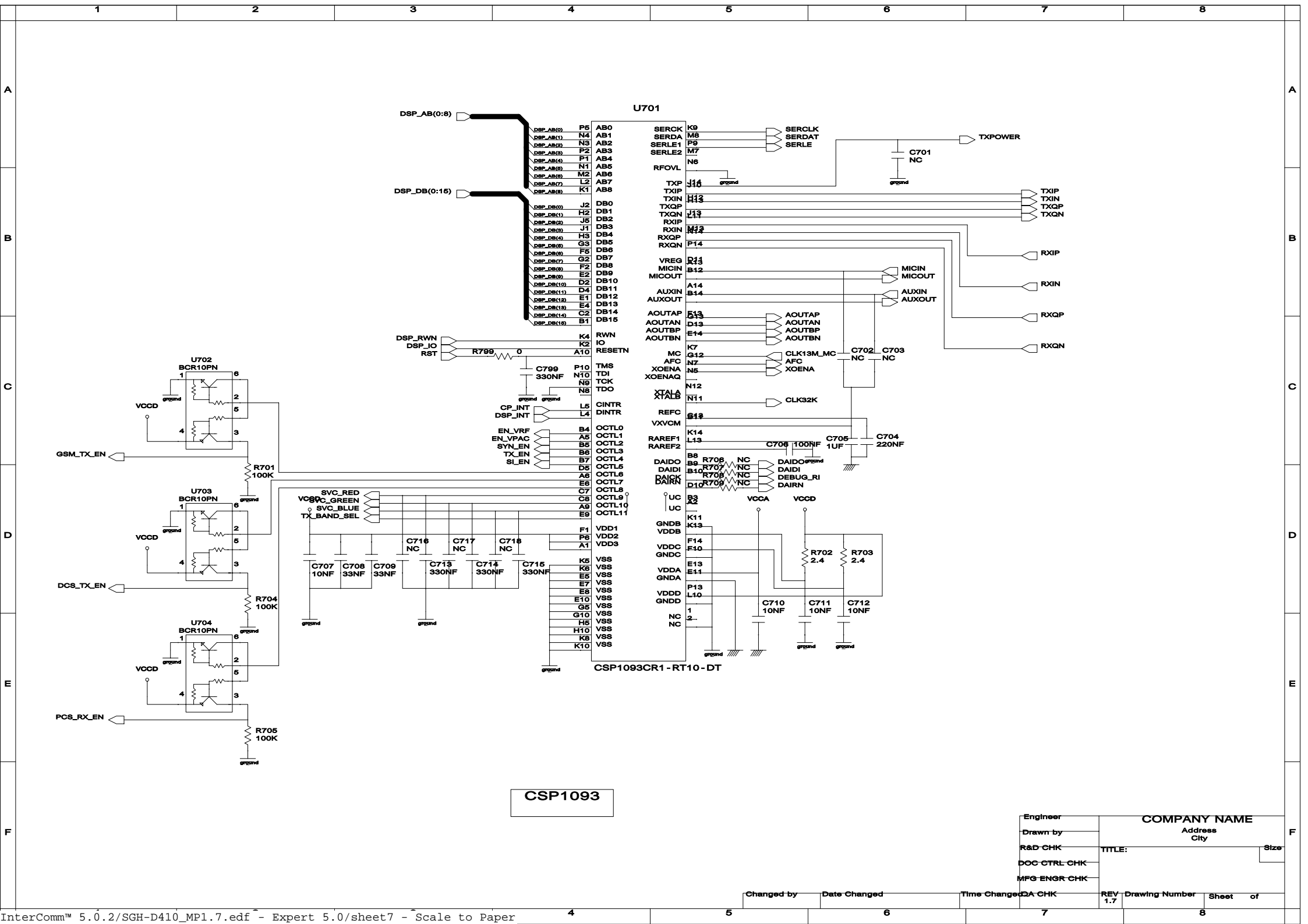
| | | | |
|--------------|--------------|------|--|
| Engineer | COMPANY NAME | | |
| Drawn by | Address | | |
| R&D CHK | City | | |
| DOC CTRL CHK | TITLE: | Size | |
| MPG ENGR CHK | | | |

| | | | | | | |
|------------|--------------|--------------|--------|---------|----------------|----------|
| Changed by | Date Changed | Time Changed | QA CHK | REV 1.7 | Drawing Number | Sheet of |
|------------|--------------|--------------|--------|---------|----------------|----------|



| | | |
|--------------|--------------|------|
| Engineer | COMPANY NAME | |
| Drawn by | Address | |
| R&D CHK | City | |
| DOC CTRL CHK | TITLE: | Size |
| MFG ENGR CHK | | |

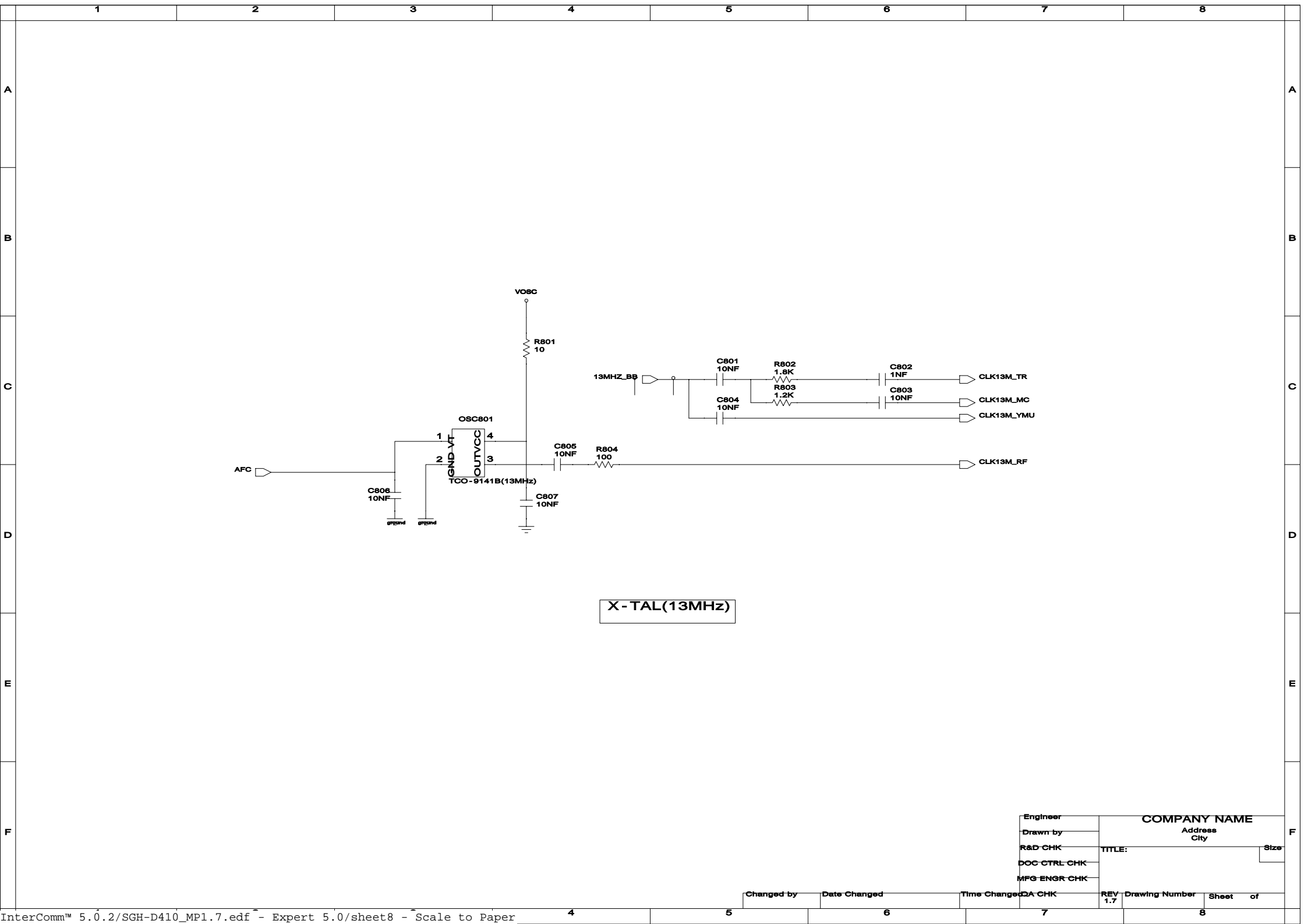
| | | | | | | |
|------------|--------------|--------------|--------|---------|----------------|----------|
| Changed by | Date Changed | Time Changed | DA CHK | REV 1.7 | Drawing Number | Sheet of |
|------------|--------------|--------------|--------|---------|----------------|----------|



CSP1093

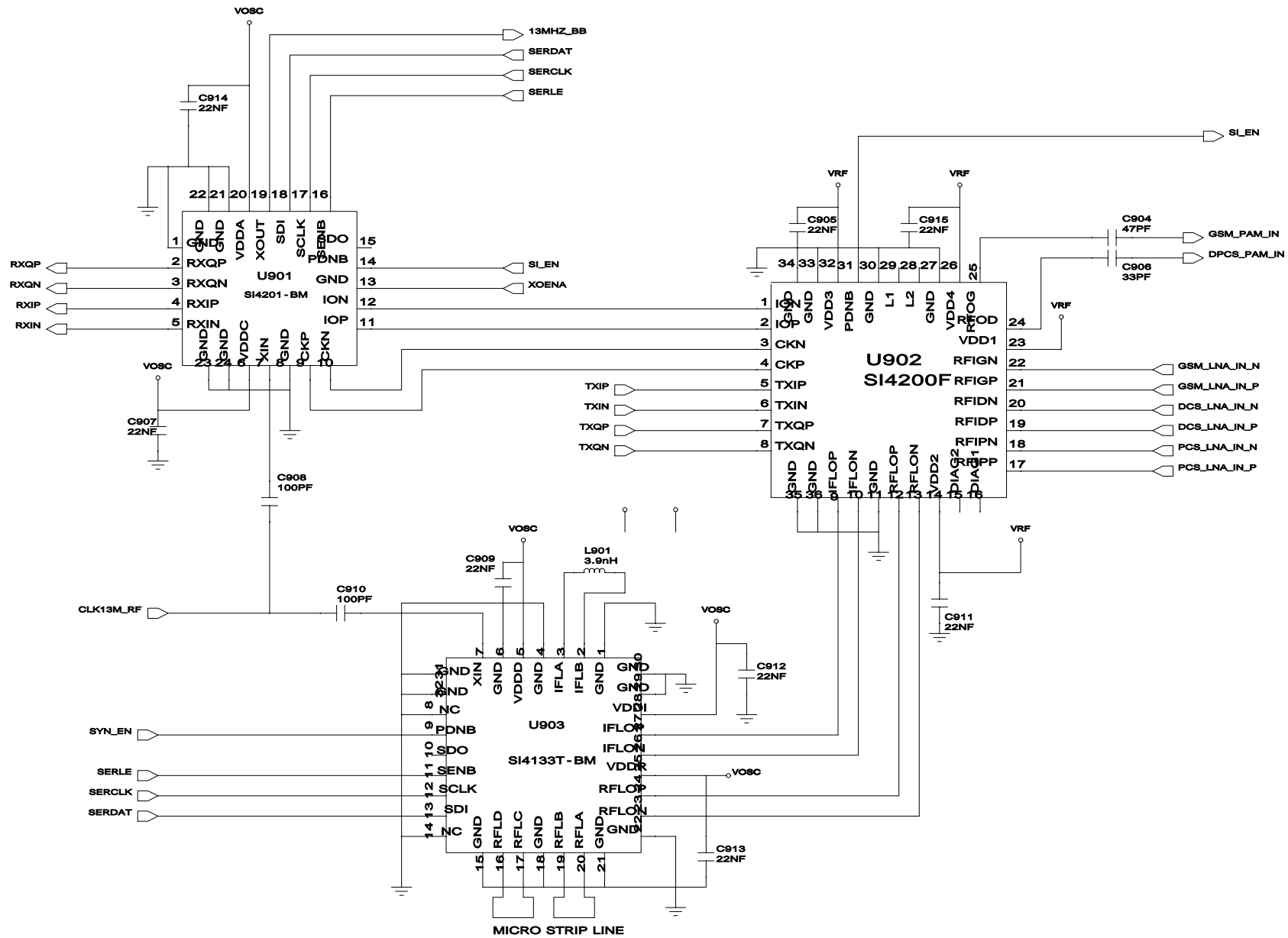
| | | | |
|--------------|--------------|--|------|
| Engineer | COMPANY NAME | | |
| Drawn by | Address | | |
| R&D CHK | City | | |
| DOC CTRL CHK | TITLE: | | Size |
| MFG ENGR CHK | | | |

| | | | | | | | |
|------------|--------------|--------------|--------|-----|----------------|-------|----|
| Changed by | Date Changed | Time Changed | QA CHK | REV | Drawing Number | Sheet | of |
| | | | | 1.7 | | | |



X - TAL(13MHz)

| | | | |
|--------------|----------------|--------------|--------|
| Engineer | COMPANY NAME | | |
| Drawn by | Address | | |
| | City | | |
| R&D CHK | TITLE: | Size | |
| DOC CTRL CHK | | | |
| MFG ENGR CHK | | | |
| Changed by | Date Changed | Time Changed | QA CHK |
| REV 1.7 | Drawing Number | Sheet | of |



SI-LAB

| | | | |
|--------------|--------------|--|------|
| Engineer | COMPANY NAME | | |
| Drawn by | Address | | Size |
| R&D CHK | City | | |
| DOC CTRL CHK | TITLE: | | |
| MFG ENGR CHK | | | |

| | | | | | | | |
|------------|--------------|--------------|--------|---------|----------------|-------|----|
| Changed by | Date Changed | Time Changed | QA CHK | REV 1.7 | Drawing Number | Sheet | of |
|------------|--------------|--------------|--------|---------|----------------|-------|----|