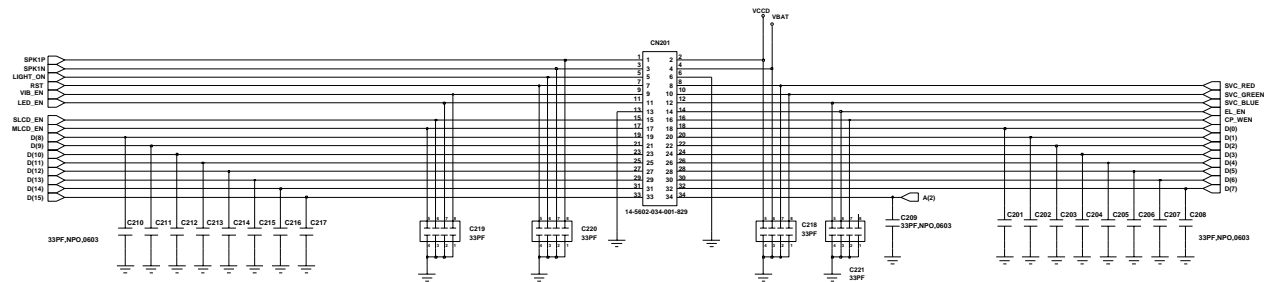
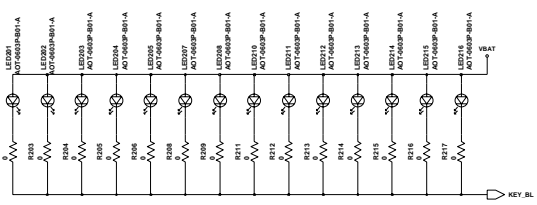
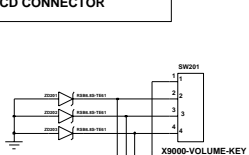


POWER

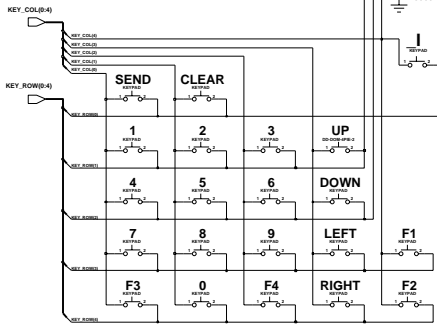
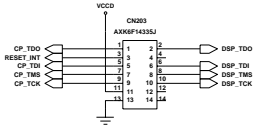
Engineer JK LEE	COMPANY NAME Address City TITLE: SGNH-D100	REV 2.44	Sheet 1 of 11
Drawn by JK LEE		REV 2.44	Sheet 1 of 11
Check by REI CLK		REV 2.44	Sheet 1 of 11
Design by MFG ENGR CLK		REV 2.44	Sheet 1 of 11
Approved by MFG ENGR CLK		REV 2.44	Sheet 1 of 11



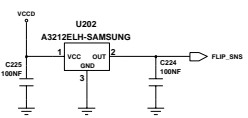
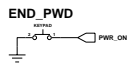
**LCD CONNECTOR**



**JTAG CON**

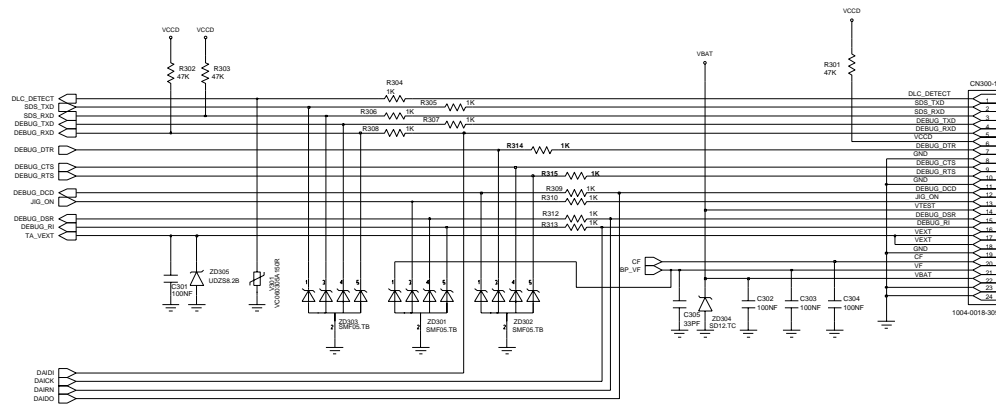


**KEYPAD**



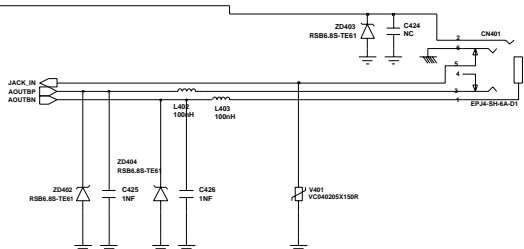
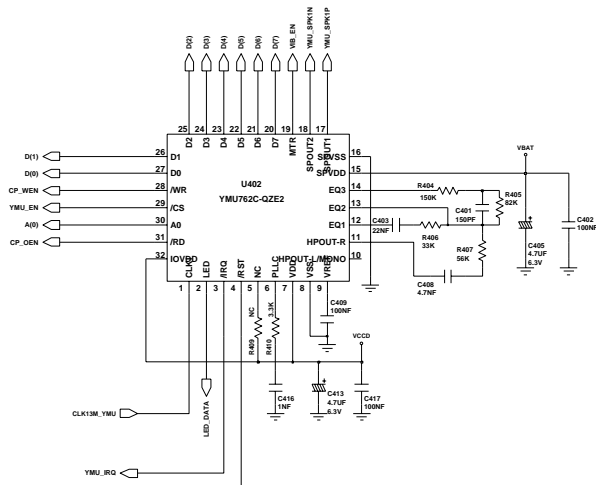
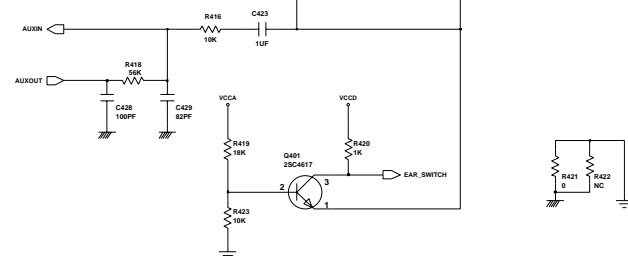
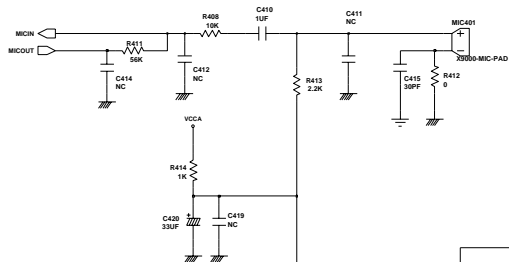
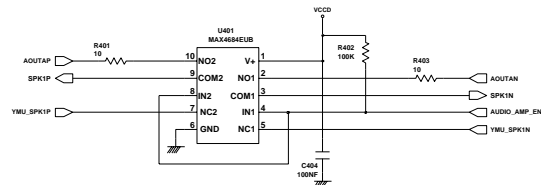
**IRDA**

Engineer JK LEE	<b>COMPANY NAME</b> Address City	TITLE: <b>SGH-D100</b>	Size A3
Drawn by JK LEE			
REDC:CHK			
DGC CTRL:CHK MFG ENGR:CHK			



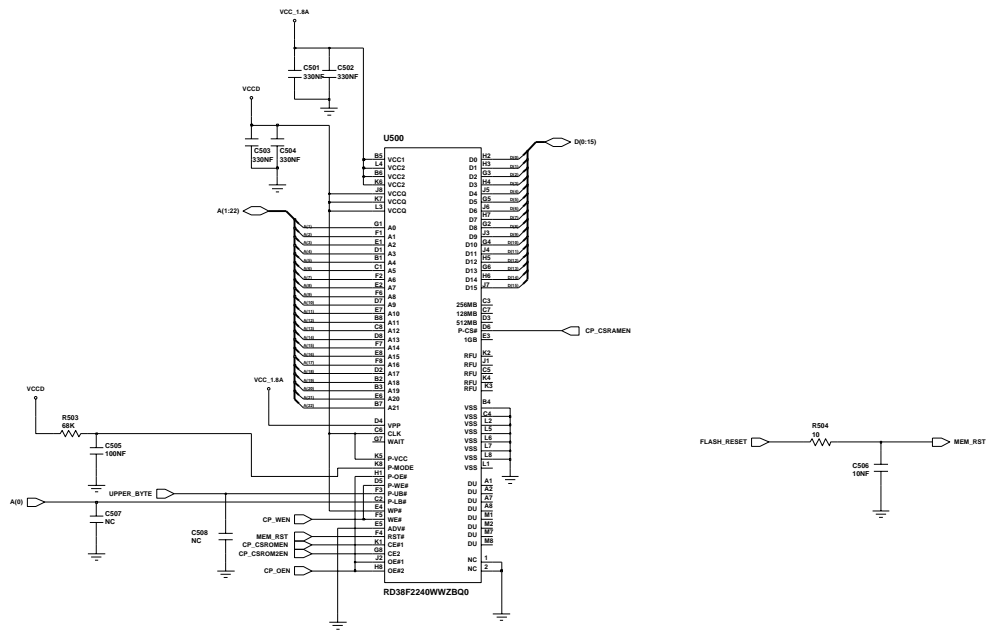
I/F CONNECTOR

Engineer JL LEE	COMPANY NAME	
Drawn By JL LEE	Address City	
Rev'd By RST/CHK	TITLE:	Size A3
Doc Ctr'l Ckr MFG ENGR/CHK	SGH-D100	



**AUDIO**

Engineer JK LEE	<b>COMPANY NAME</b> Address City State ZIP
Drawn by JK LEE	
TEST CHK	
DWG CTRL CHK	
MFG ENGR CHK	<b>SGH-D100</b>



**MEMORY**

Engineer  
JK LEE  
Drawn By  
JK LEE  
REQD CHK  
DOC CTRL CHK  
MFG ENGR CHK

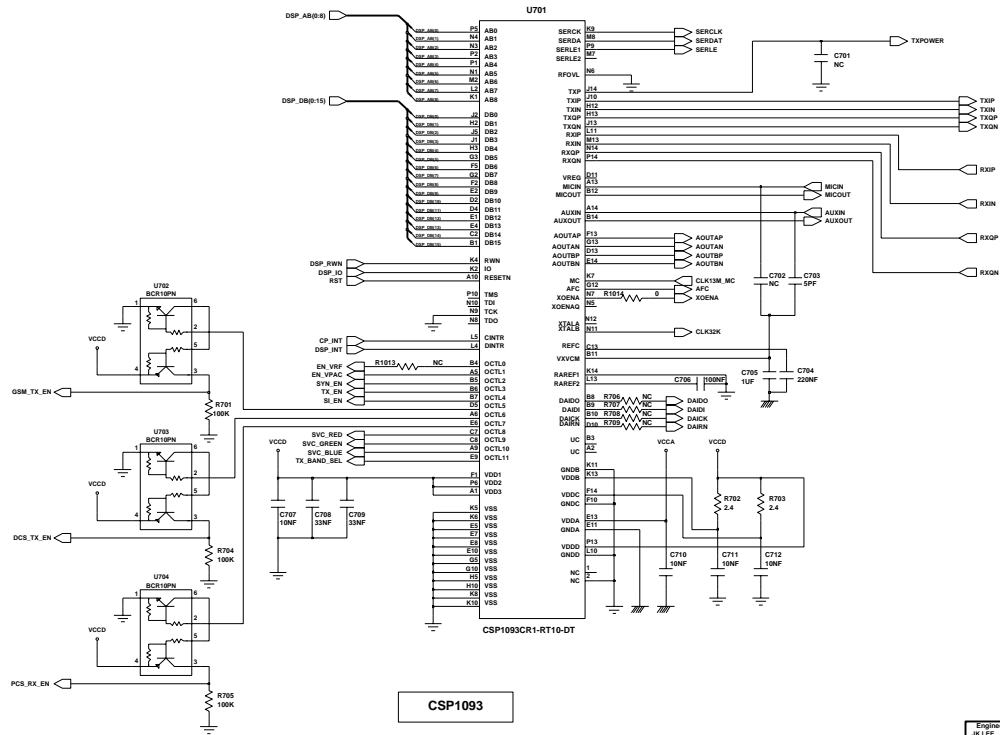
**COMPANY NAME**  
Address  
City

TITLE:

**SGH-D100**

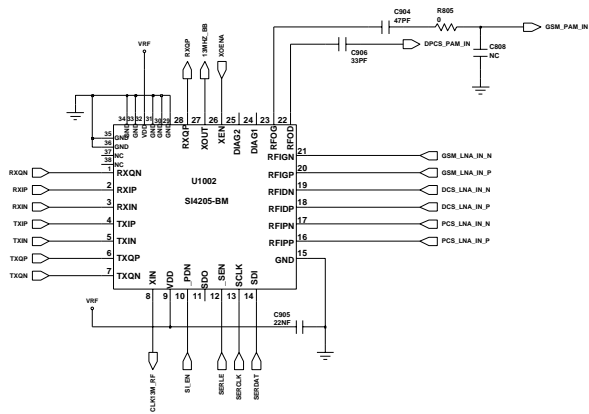
Size  
A3



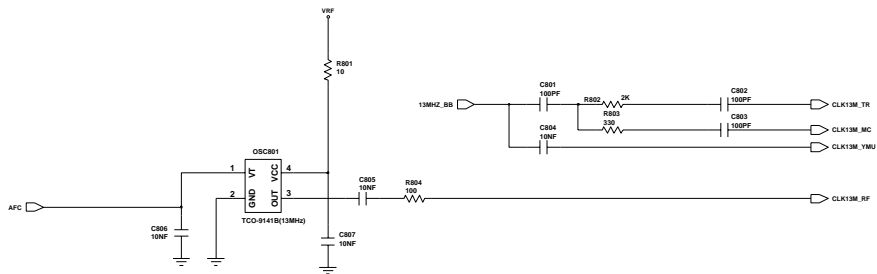


**CSP1093**

Engineer JK LEE	COMPANY NAME Address City	Site AS
Drawn by JK LEE		
REDCRCHK	TITLE:	
DOC CTRL CHK	<b>SGH-D100</b>	
MFG ENGR CHK		



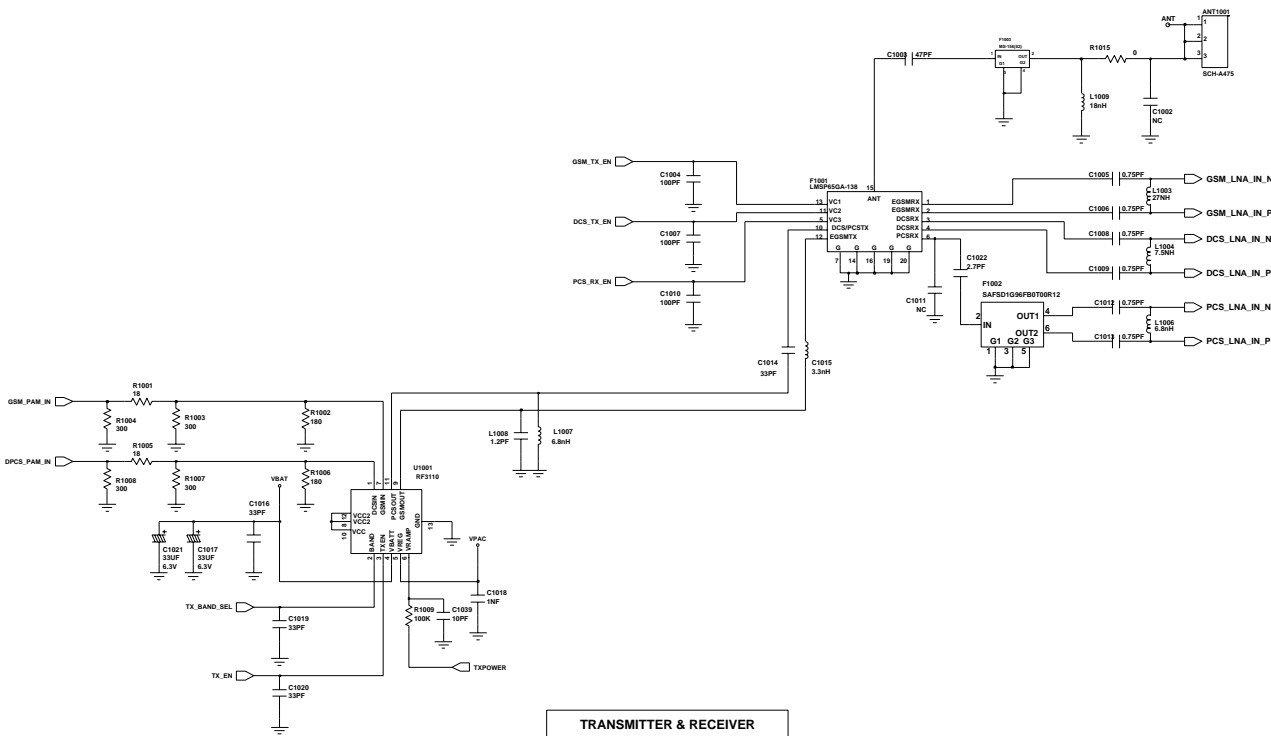
SI-LAB



X-TAL(13MHz)

Engineer JK LEE	COMPANY NAME		
Drawn By JK LEE	Address City		
REQ'D CHK	TITLE:		Size A3
DOC CTRL CHK	SGH-D100		
MFG ENGR CHK			

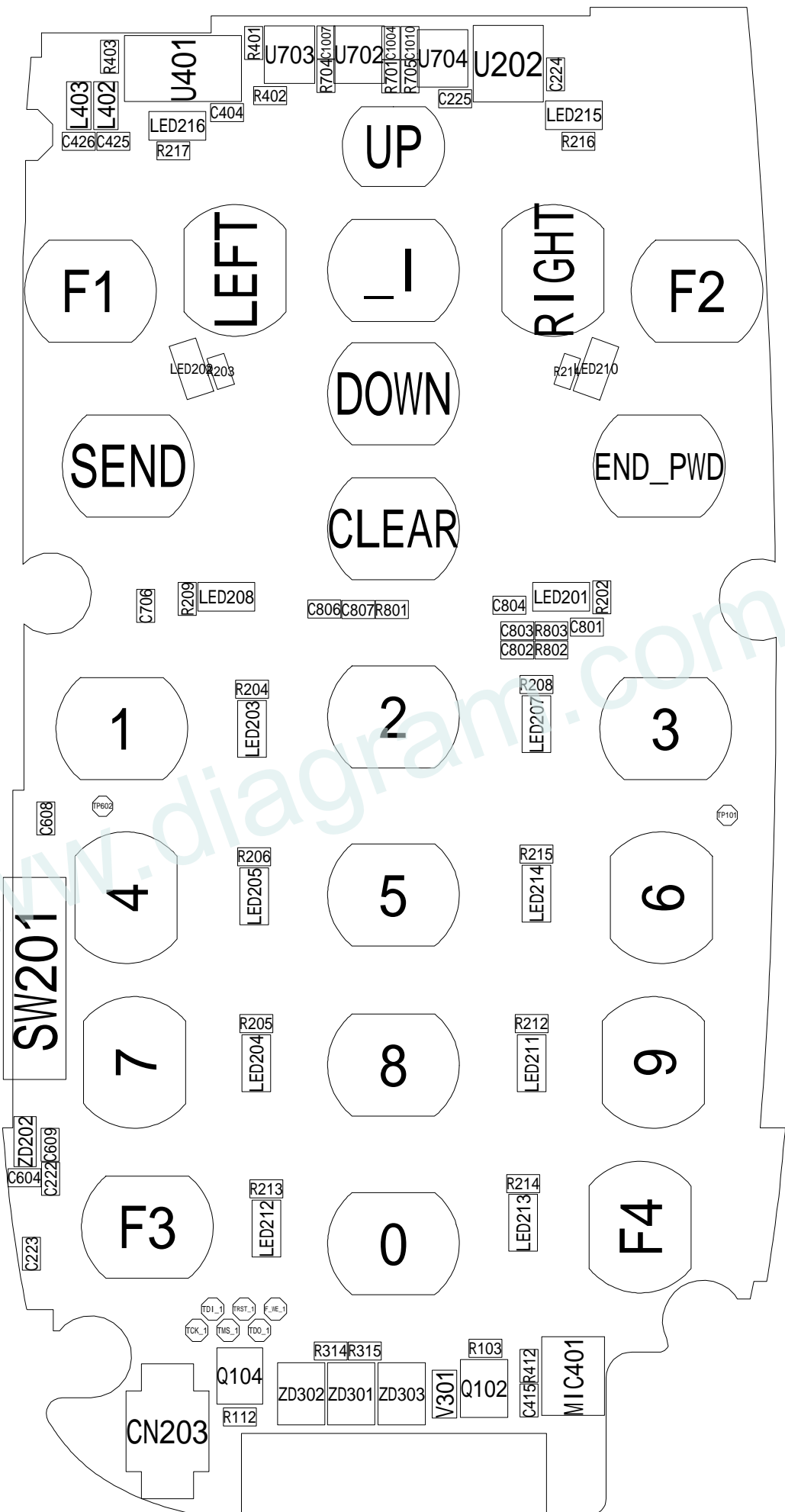




TRANSMITTER & RECEIVER

Engineer JK LEE Drawn By JK LEE DDC CTRL CHK MFG ENGR CHK	<b>COMPANY NAME</b> Address City  <b>SGH-D100</b>
TITLE: _____	
Drawing Number	Sheet 10 of 11





www.diagram.com.ua